



US00D452122B1

(12) **United States Design Patent**
Hughes et al.

(10) **Patent No.:** **US D452,122 S**

(45) **Date of Patent:** **** Dec. 18, 2001**

(54) **CORKSCREW**

(75) Inventors: **Mark Christopher Hughes; Januse Lucien Holland**, both of Birmingham (GB)

(73) Assignee: **Reality Products Limited**, Birmingham (GB)

(**) Term: **14 Years**

(21) Appl. No.: **29/108,867**

(22) Filed: **Aug. 4, 1999**

(30) **Foreign Application Priority Data**

Feb. 4, 1999 (GB) 2080880

(51) **LOC (7) Cl.** **07-99**

(52) **U.S. Cl.** **D8/38; D8/42**

(58) **Field of Search** D8/33-43, 18, D8/19; 30/400-443; 81/3.07-3.49; 7/151-156

(56) **References Cited**

U.S. PATENT DOCUMENTS

D. 38,899	*	11/1907	Newcomb	D8/18
D. 41,894	*	11/1911	Sommer	D8/18
D. 44,839	*	11/1913	Foster	D8/18
D. 173,890	*	1/1955	Bays et al.	D8/38
D. 240,999	*	8/1976	Hall	D8/38
D. 279,645	*	7/1985	Makris	D8/38
D. 334,696	*	4/1993	Makris	D8/38
D. 349,224	*	8/1994	Hughes et al.	D8/42
D. 353,687	*	12/1994	Dacko	D28/60
D. 374,801	*	10/1996	Puig et al.	D8/42

D. 385,763	*	11/1997	Trivellato	D8/43
D. 393,993	*	5/1998	Bergen	D8/43
D. 416,773	*	11/1999	Cellini	D8/42
D. 421,373	*	3/2000	Hollinger	D8/42
2,986,812	*	6/1961	Arter, Jr. et al.	30/123
4,584,911	*	4/1986	Cellini	81/3.36
4,996,895	*	3/1991	Puig	81/3.09
5,046,253	*	9/1991	Ireland	30/289
5,454,282	*	10/1995	Mistro	81/3.48

* cited by examiner

Primary Examiner—Jeffrey Asch

(74) *Attorney, Agent, or Firm*—Knobbe, Olson & Bear, LLP

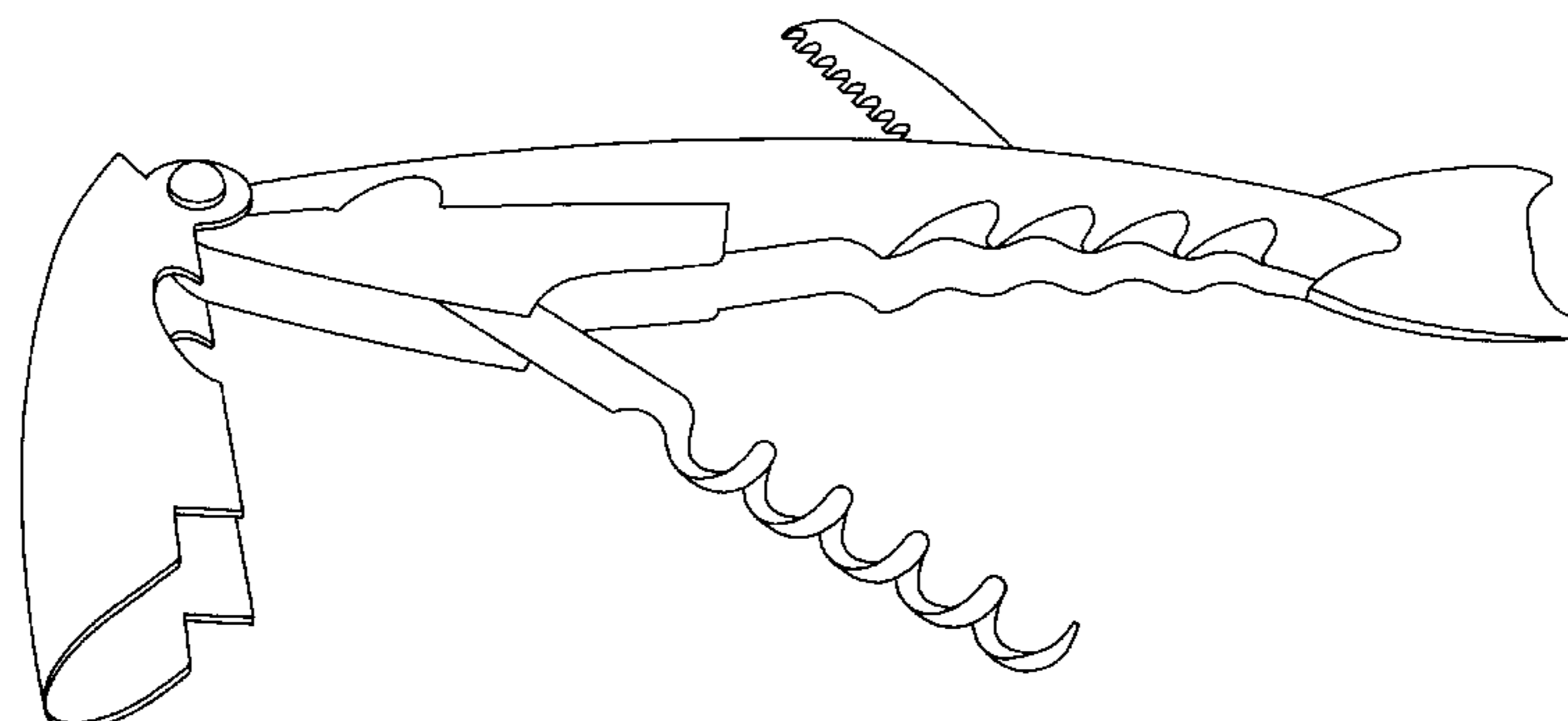
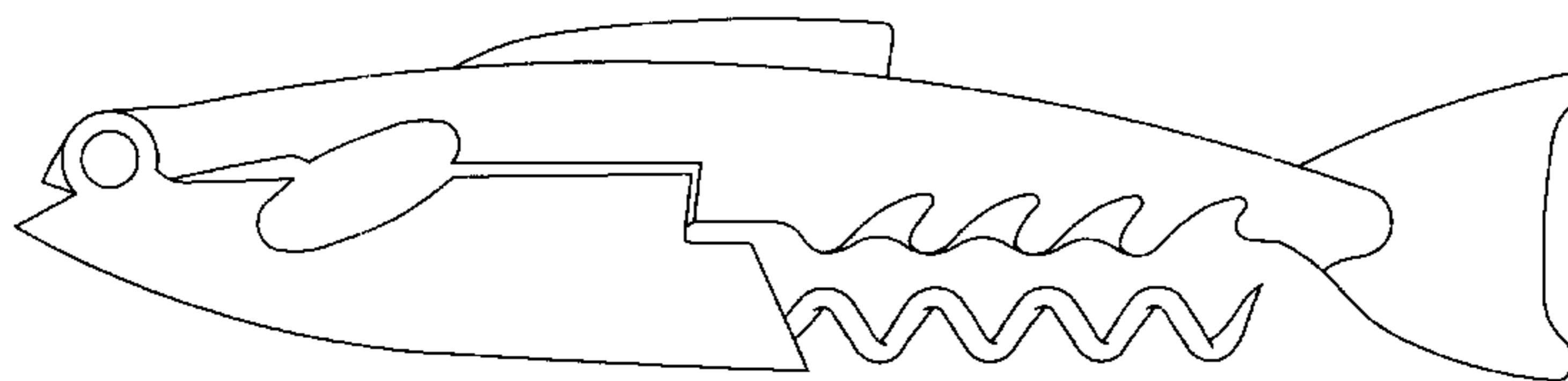
(57) **CLAIM**

The ornamental design for a corkscrew, as shown and described.

DESCRIPTION

FIG. 1 is a side elevational view of the corkscrew of the present invention;
 FIG. 2 is a side elevational view of the corkscrew in an open position with two attachments shown;
 FIG. 3 is a side elevational view of the corkscrew in an open position with three attachments shown;
 FIG. 4 is a side elevational view of the corkscrew with one attachments shown;
 FIG. 5 is a top plan view of the corkscrew;
 FIG. 6 is a bottom plan view of the corkscrew; and,
 FIG. 7 is a perspective view of the corkscrew in an open position with three attachments shown.

1 Claim, 7 Drawing Sheets



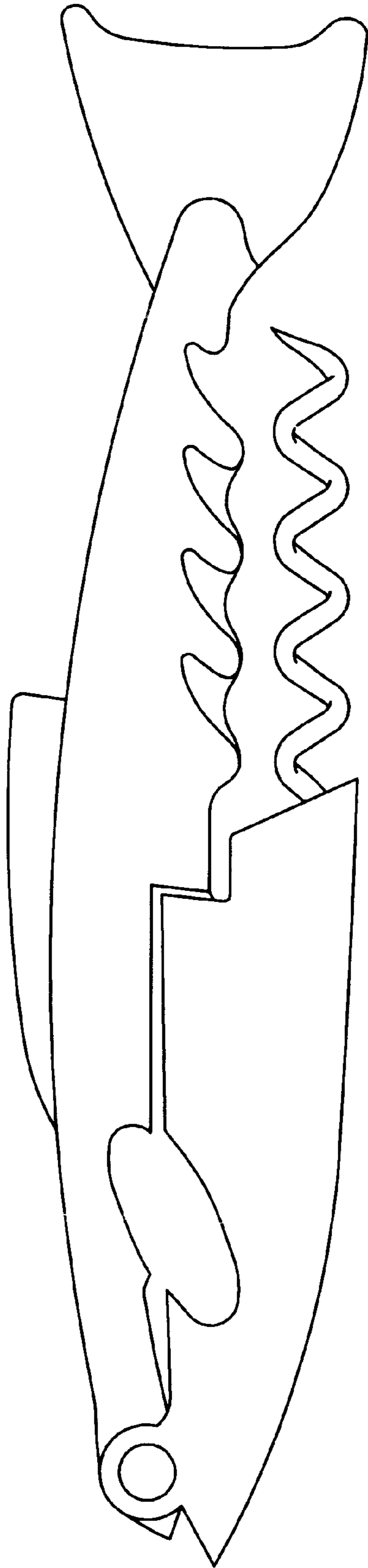


FIG. 1

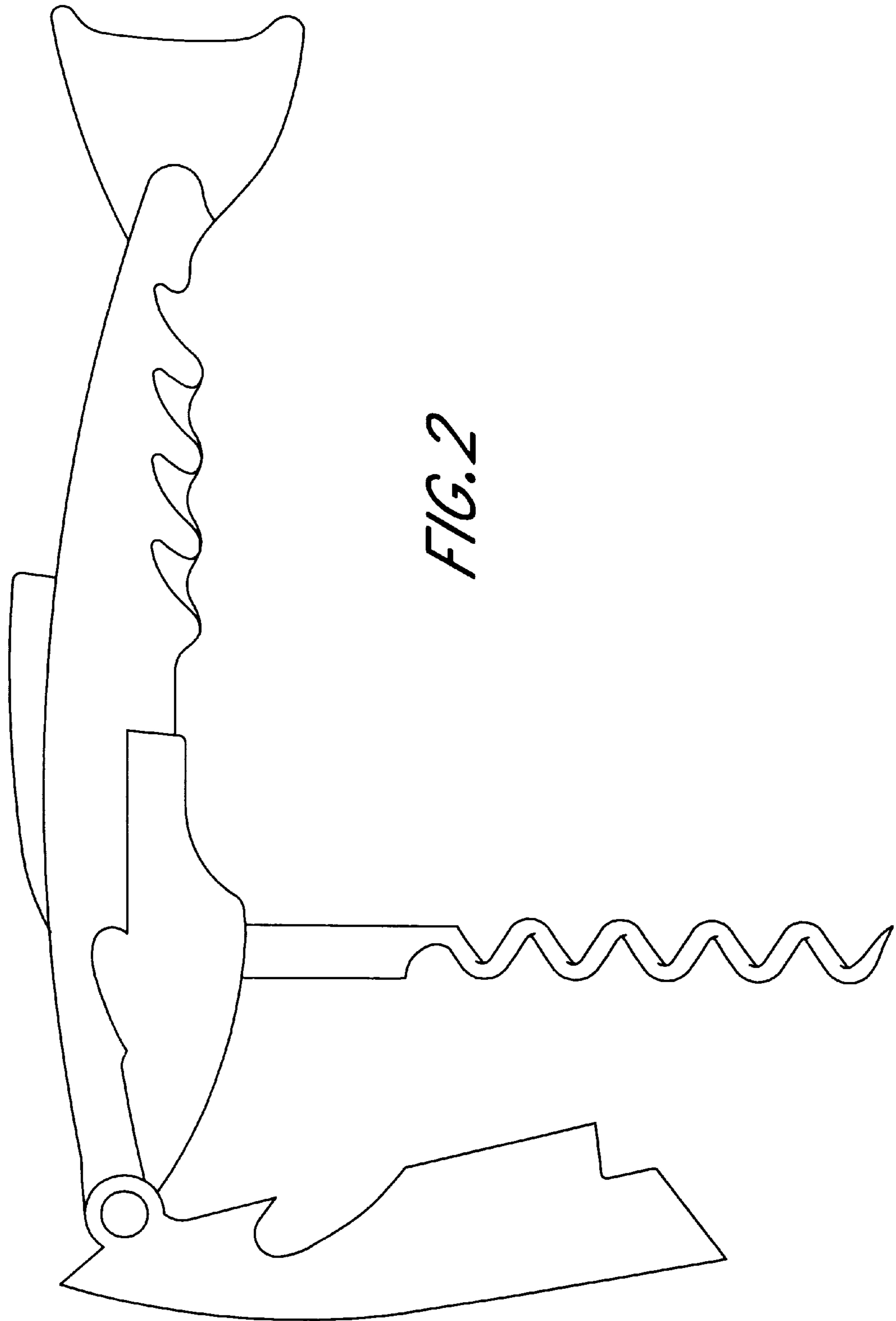


FIG. 2

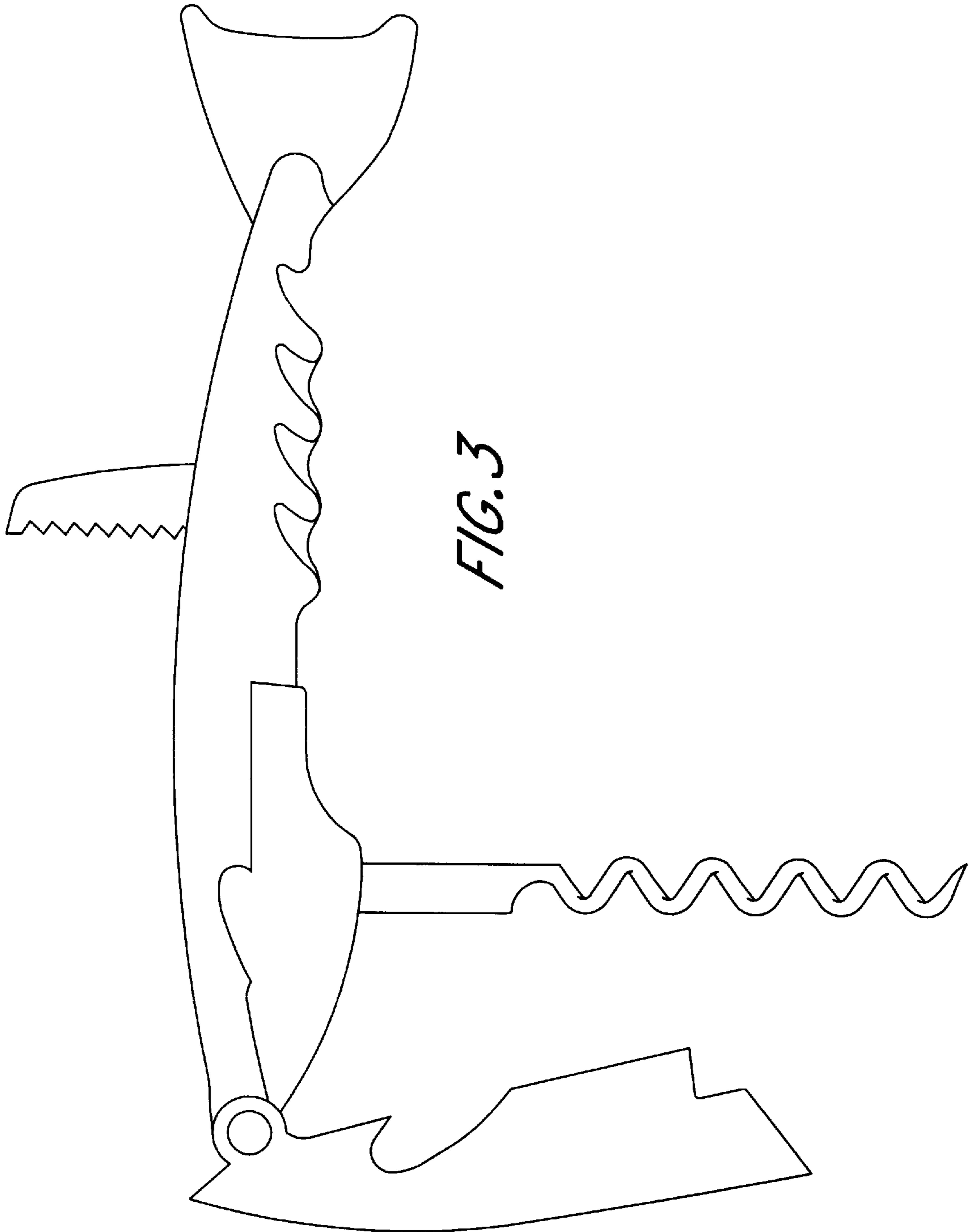


FIG. 3

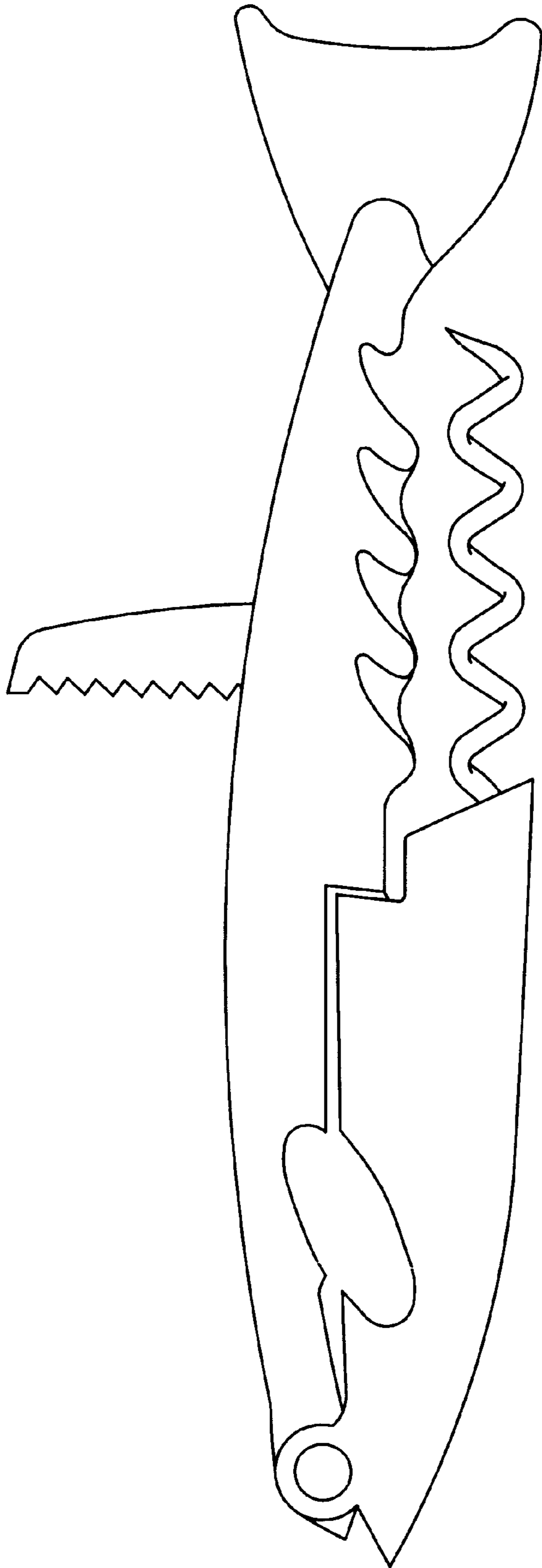


FIG. 4

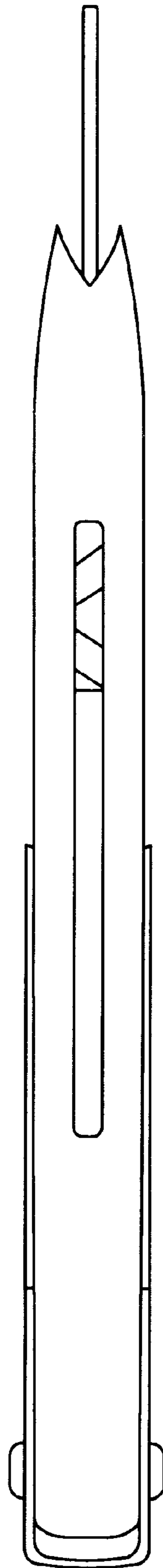


FIG. 5

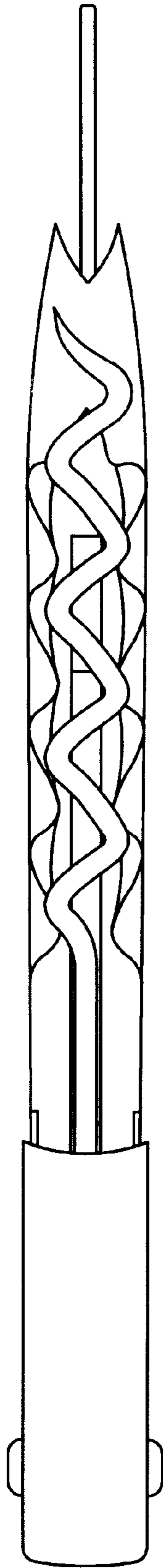


FIG. 6

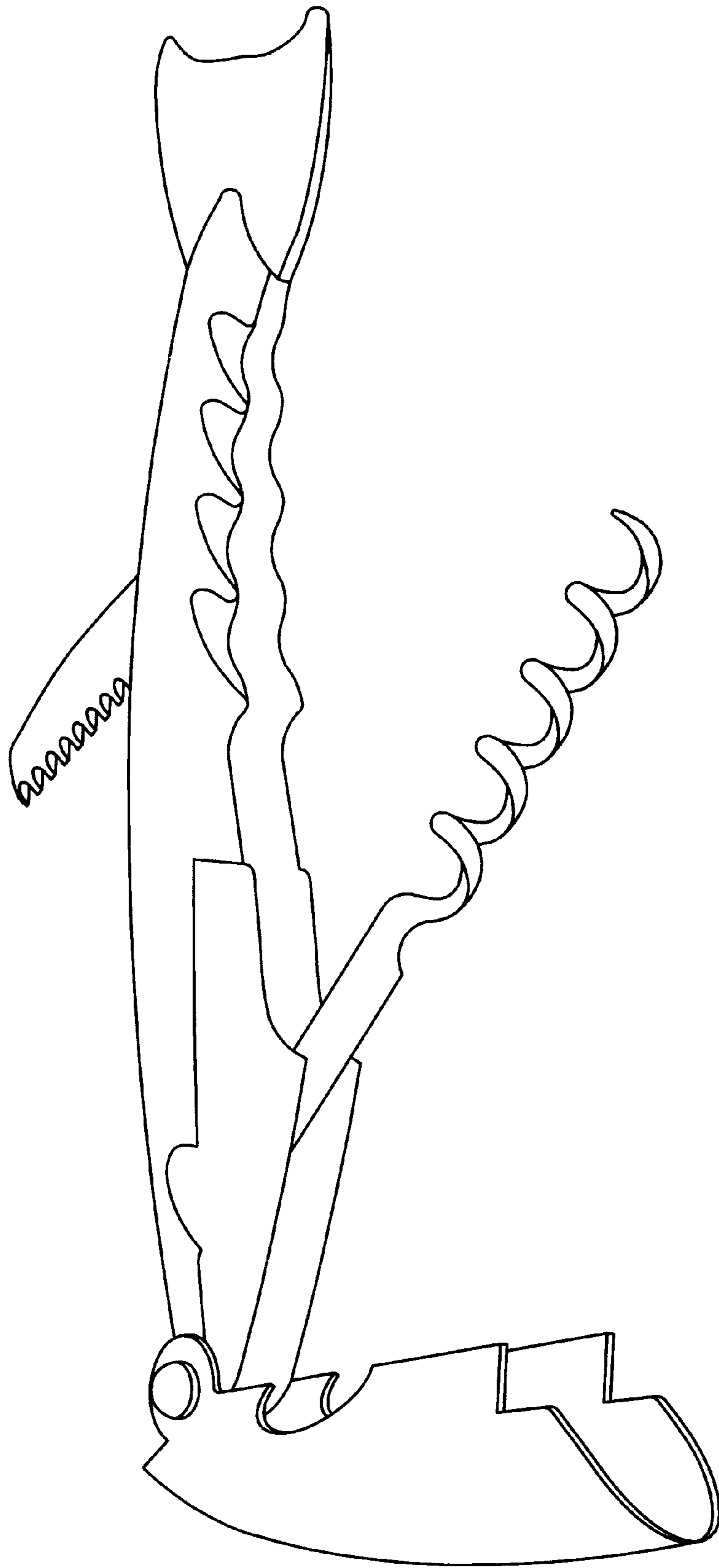


FIG. 7