



US00D452120B1

(12) **United States Design Patent**
Brangle et al.

(10) **Patent No.:** **US D452,120 S**

(45) **Date of Patent:** **** Dec. 18, 2001**

(54) **FOOTBALL COOLER**

(76) Inventors: **Patrick J. Brangle**, 1123 Sanford Ave.,
St. Louis, MO (US) 63139; **Michael C. Polizzi**, 9659 Chamblin Dr., St. Louis,
MO (US) 63123

(**) Term: **14 Years**

(21) Appl. No.: **29/119,432**

(22) Filed: **Feb. 29, 2000**

(51) **LOC (7) Cl.** **07-01**

(52) **U.S. Cl.** **D7/606**

(58) **Field of Search** D7/604, 606; 62/457.1,
62/457.7, 371; 220/915.1, 915.2; 206/217;
D3/270, 271

(56) **References Cited**

U.S. PATENT DOCUMENTS

D. 349,009 * 7/1994 Minor D7/606

D. 370,391 * 6/1996 Bauer D7/606

D. 401,117 * 11/1998 Anderson et al. D7/606

D. 409,050 * 5/1999 Anderson et al. D7/606

4,164,284 * 8/1979 Witt et al. 206/217

* cited by examiner

Primary Examiner—Terry A. Wallace

(57) **CLAIM**

The ornamental design for a football cooler, as shown and described.

DESCRIPTION

FIG. 1 is a perspective view thereof

FIG. 2 is a left side view thereof

FIG. 3 is a right side view thereof

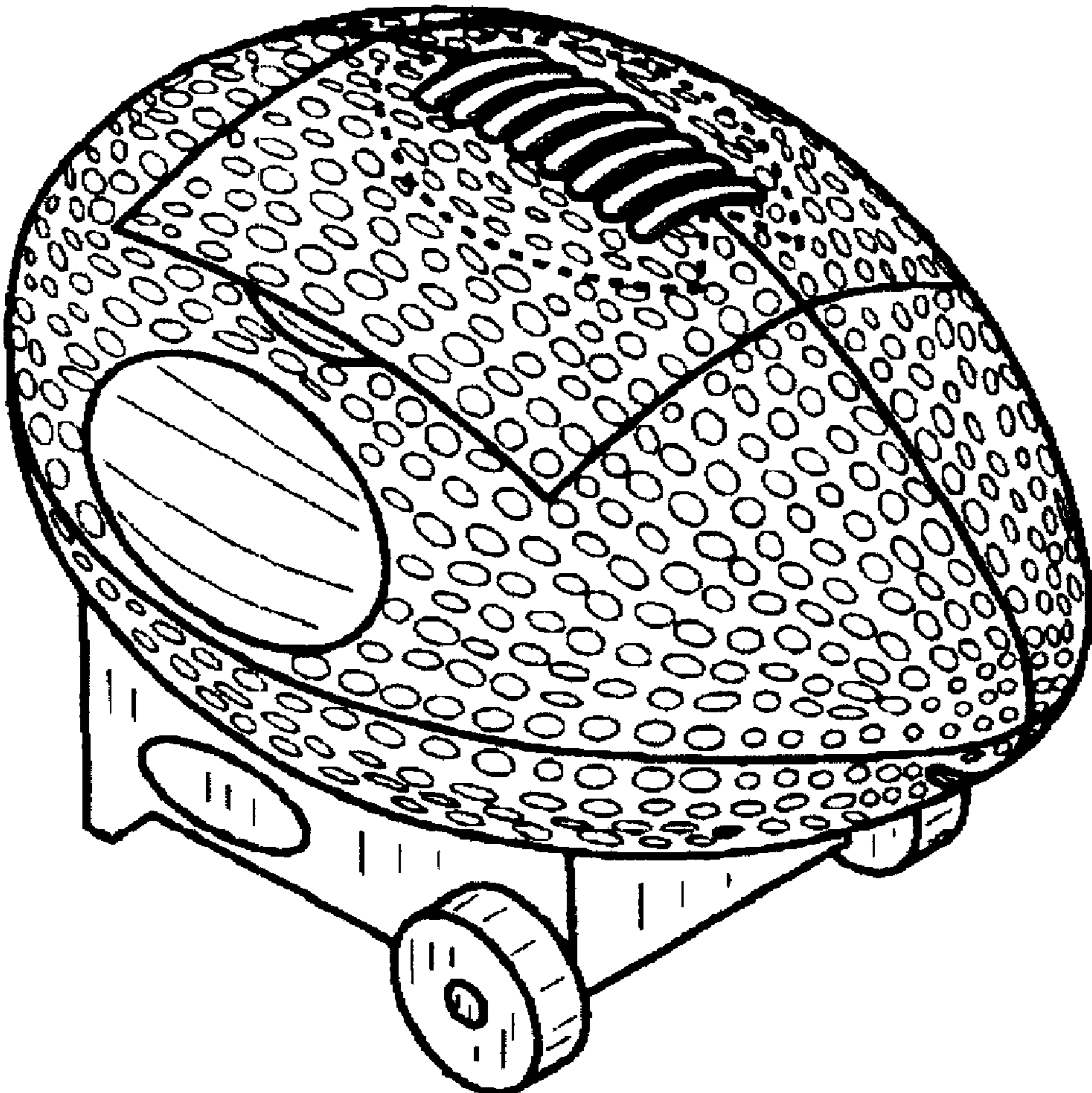
FIG. 4 is a front view thereof

FIG. 5 is a back view thereof

FIG. 6 is a top view thereof; and,

FIG. 7 is a bottom view thereof.

1 Claim, 2 Drawing Sheets



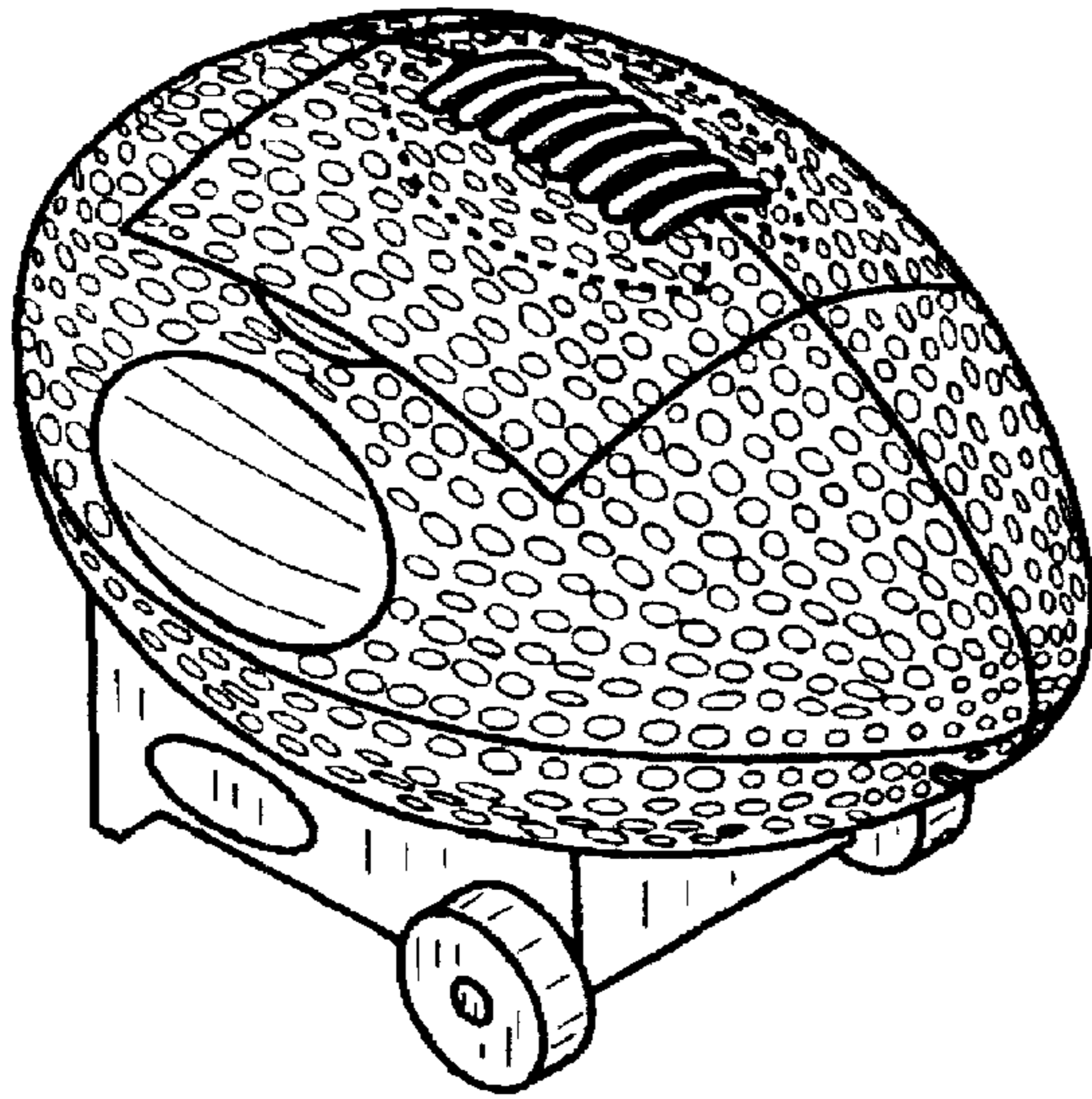


FIG. 1

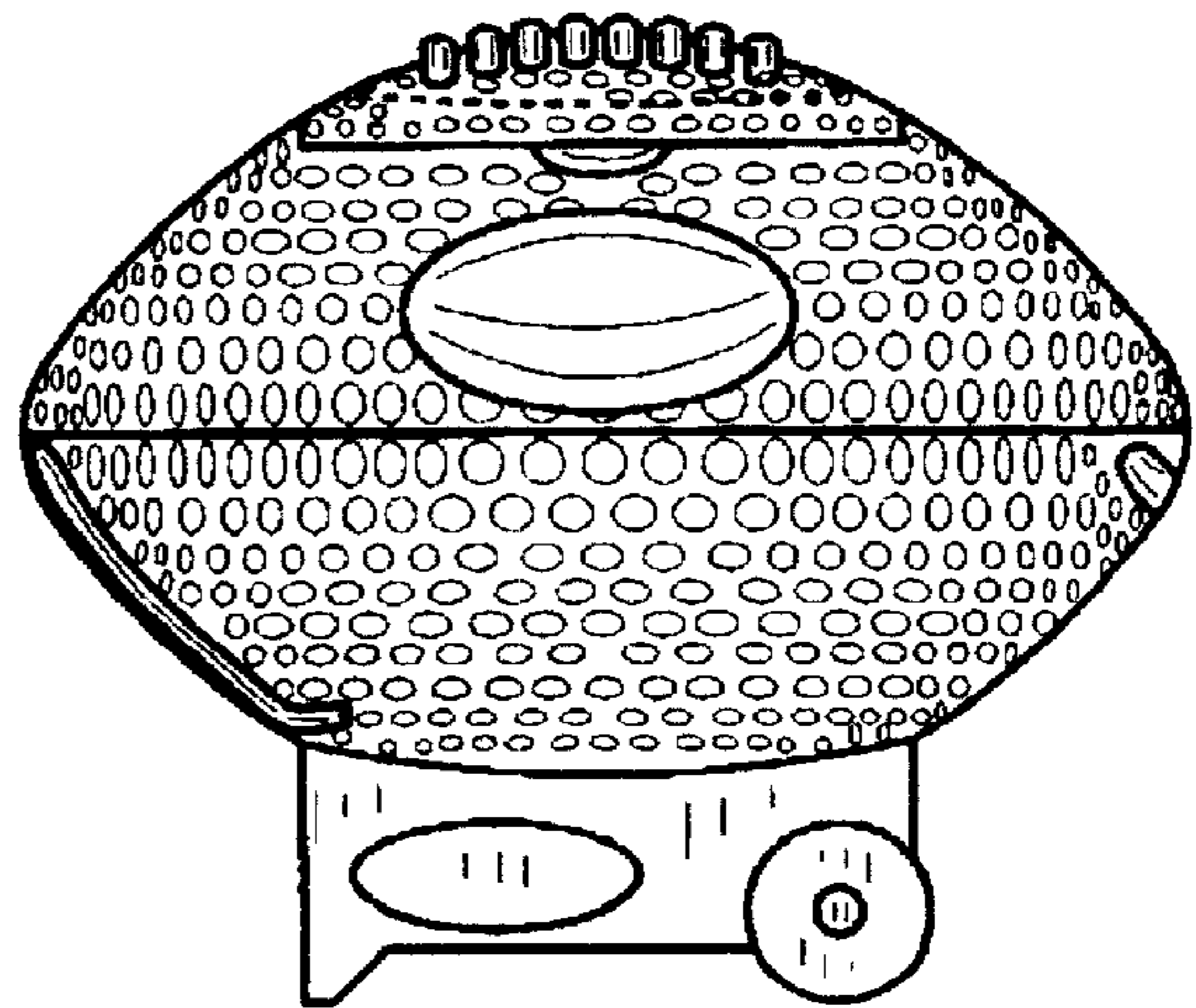


FIG. 2

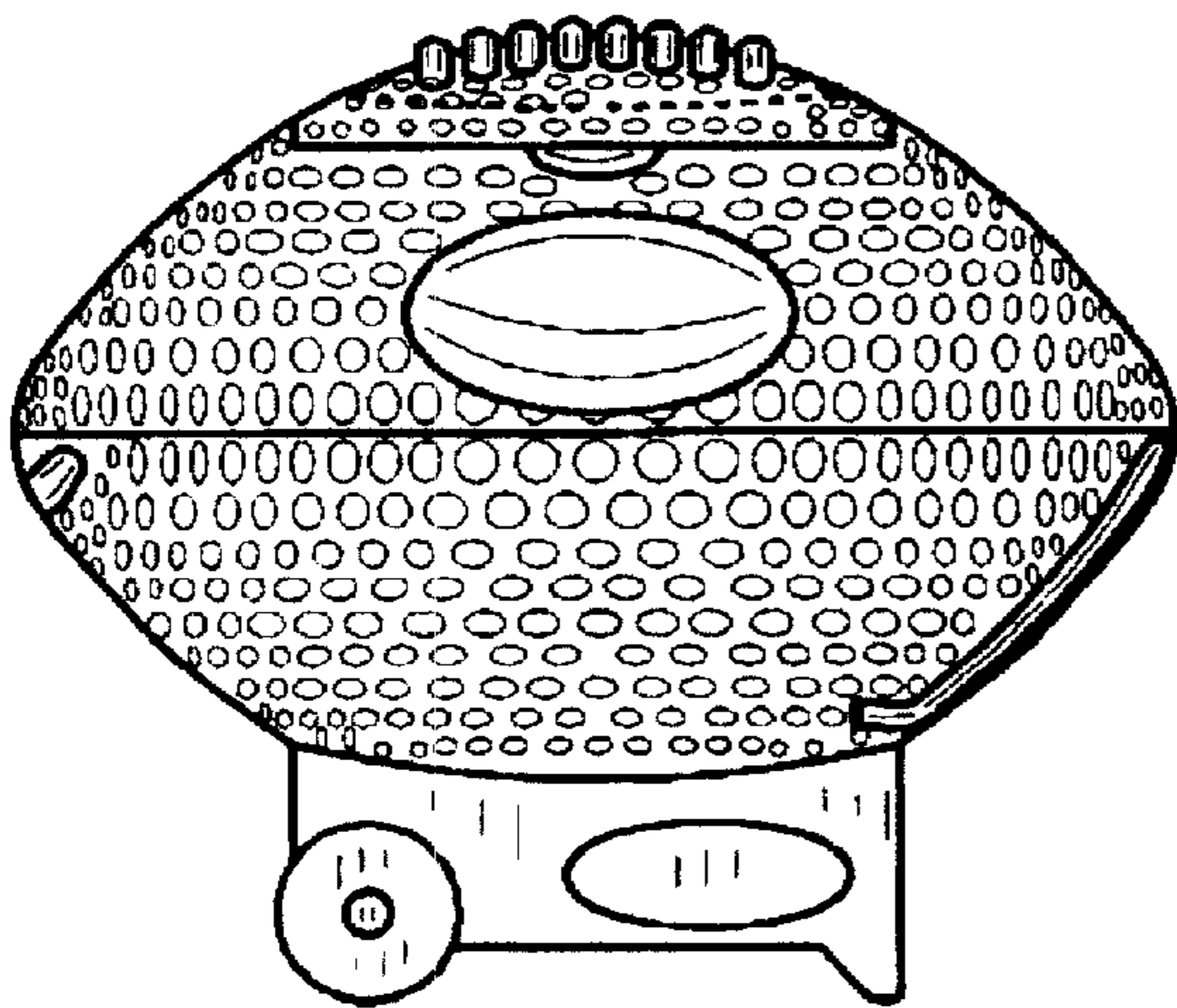


FIG. 3

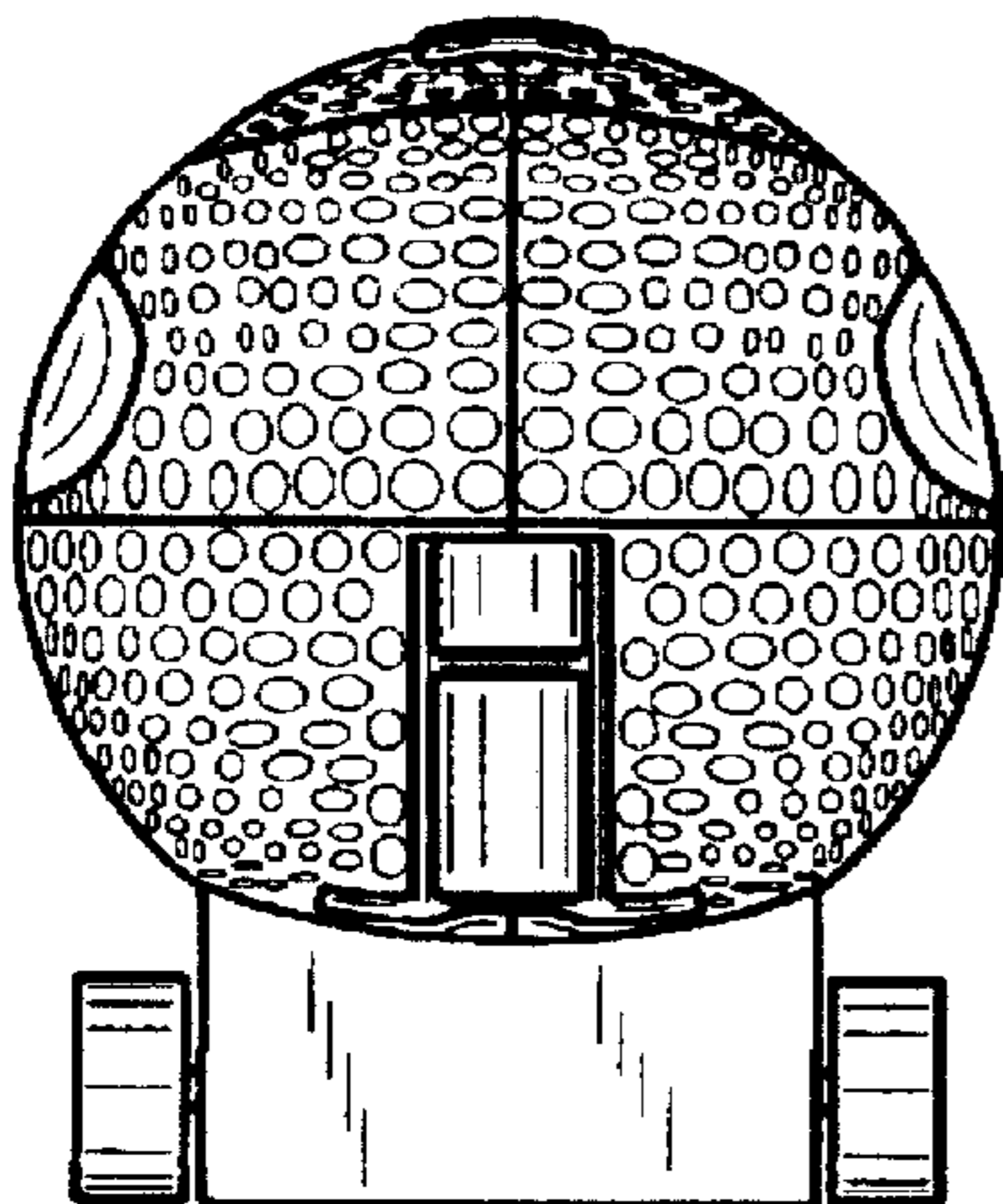


FIG. 4

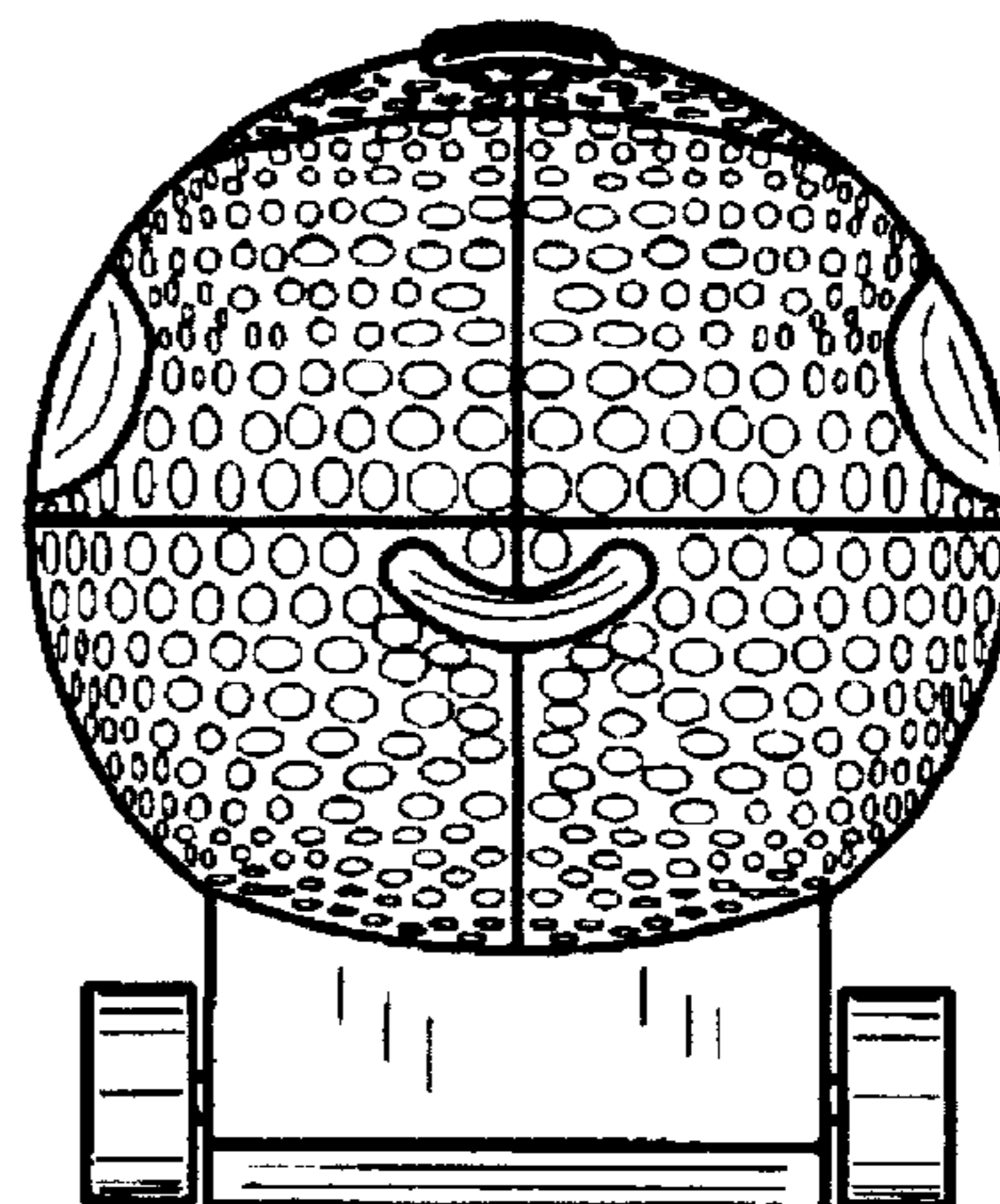


FIG. 5

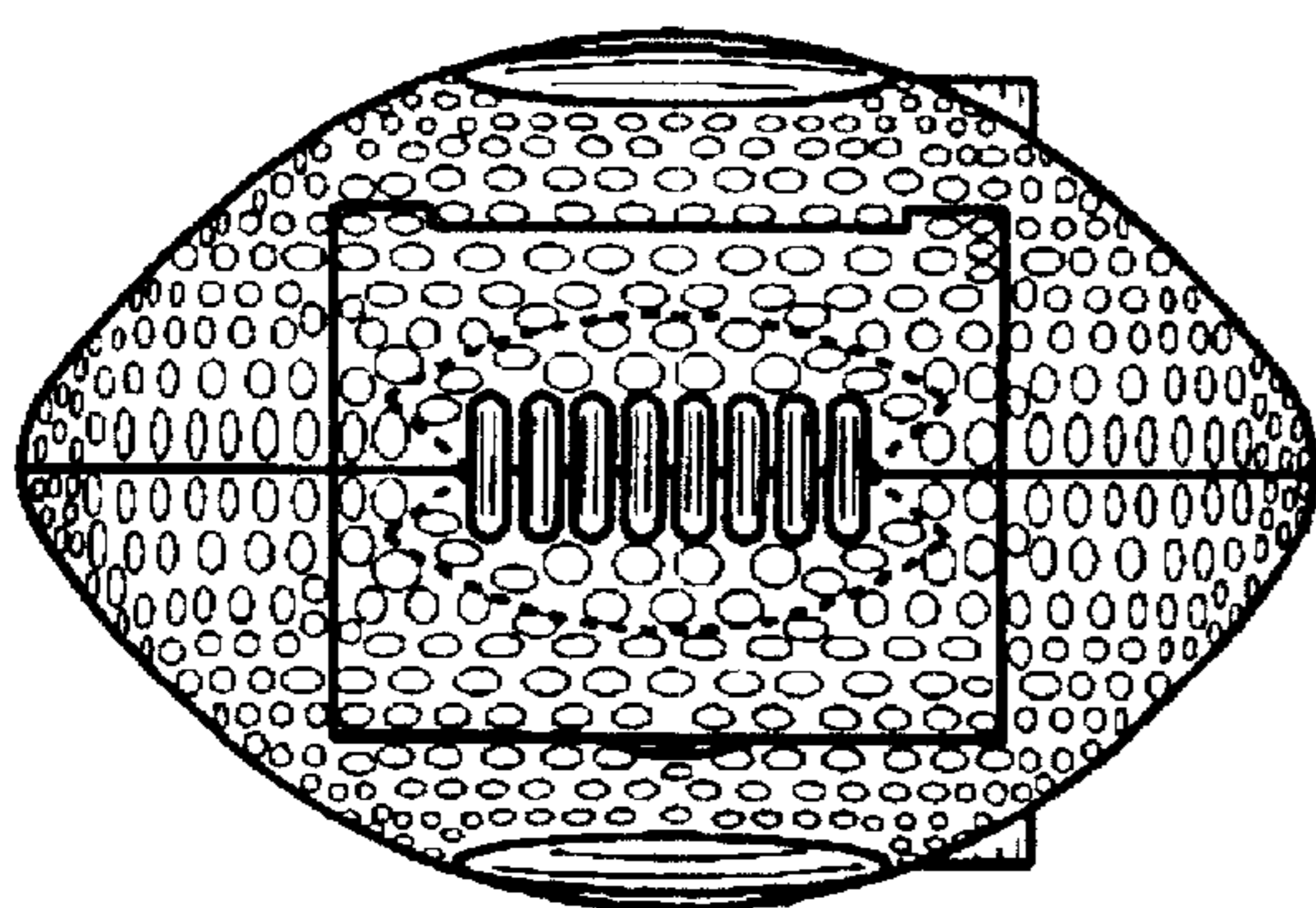


FIG. 6

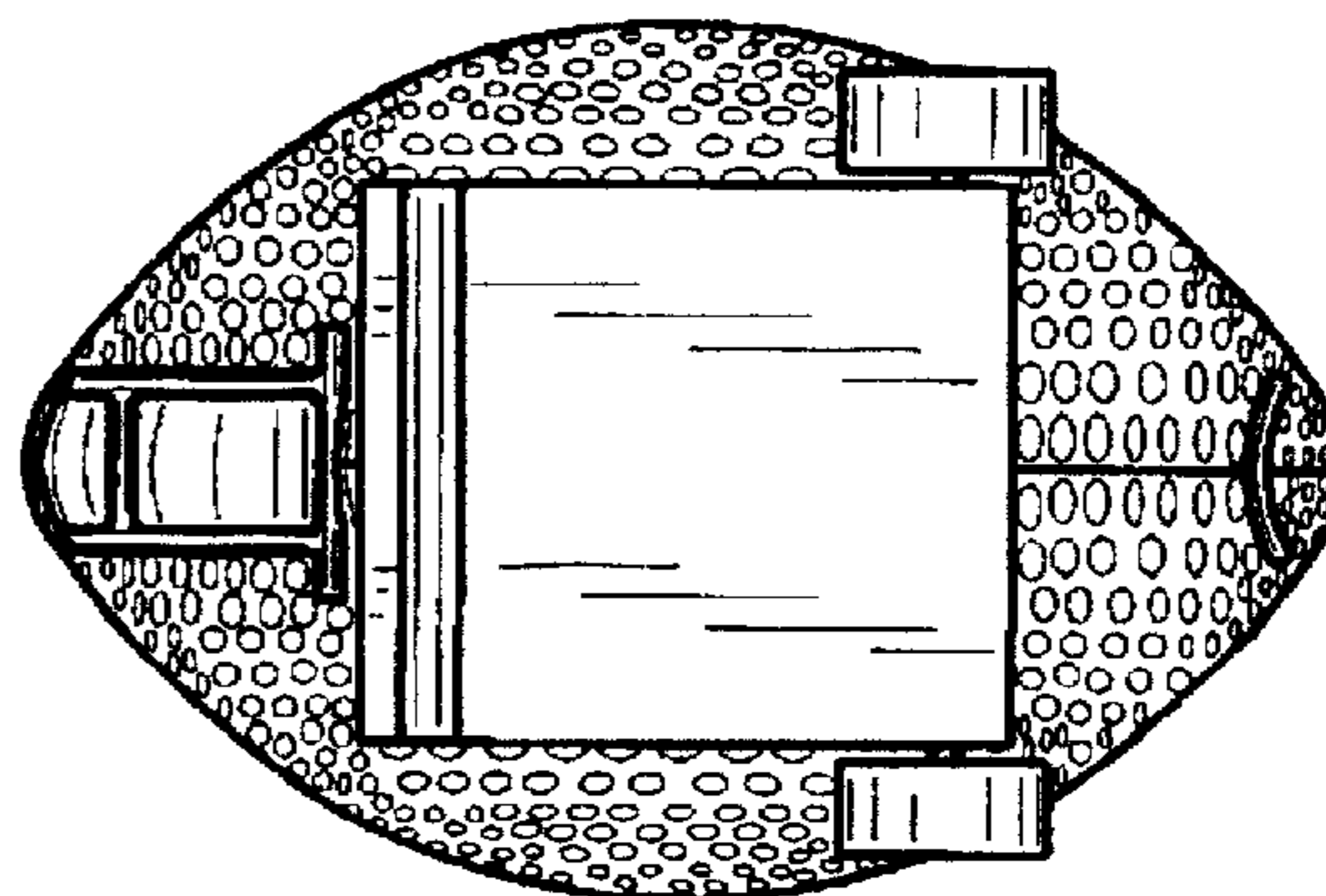


FIG. 7