



US00D452119B1

(12) **United States Design Patent**
Zeller et al.

(10) **Patent No.:** **US D452,119 S**

(45) **Date of Patent:** **** Dec. 18, 2001**

(54) **CONDIMENT DISPENSER**

Primary Examiner—Terry A. Wallace

(75) Inventors: **Nicole A. Zeller**, Harrison; **Stuart Harvey Lee**, New York, both of NY (US)

(57) **CLAIM**

The ornamental design for a condiment dispenser, as shown and described.

(73) Assignee: **Zelco Industries, Inc.**, Mount Vernon, NY (US)

DESCRIPTION

(**) Term: **14 Years**

FIG. 1 is a top, rear, right side perspective view of a condiment dispenser showing our new design;

(21) Appl. No.: **29/108,314**

FIG. 2 is a bottom, rear, right side perspective view thereof, with the lid open;

(22) Filed: **Jul. 23, 1999**

FIG. 3 is an exploded top, rear, right side perspective view of an alternate embodiment with the lid open;

(51) **LOC (7) Cl.** **07-06**

(52) **U.S. Cl.** **D7/591**

(58) **Field of Search** D7/591, 596, 597, D7/629; D9/503; 220/4.24, 4.27; 222/142.1, 142.9, 457.5; 426/115, 120

FIG. 4 is a front elevation view of FIG. 1;

FIG. 5 is a right side elevation view of FIG. 1;

FIG. 6 is a left side elevation view of FIG. 1;

FIG. 7 is a top plan view of FIG. 1;

FIG. 8 is a bottom plan view of FIG. 1;

FIG. 9 is a front elevation view of FIG. 1 with the lid open;

FIG. 10 is a right side elevation view of FIG. 9; and,

FIG. 11 is a right side elevation view of FIG. 9.

The only difference between the two embodiments is the number of holes in the shaker portion of the top.

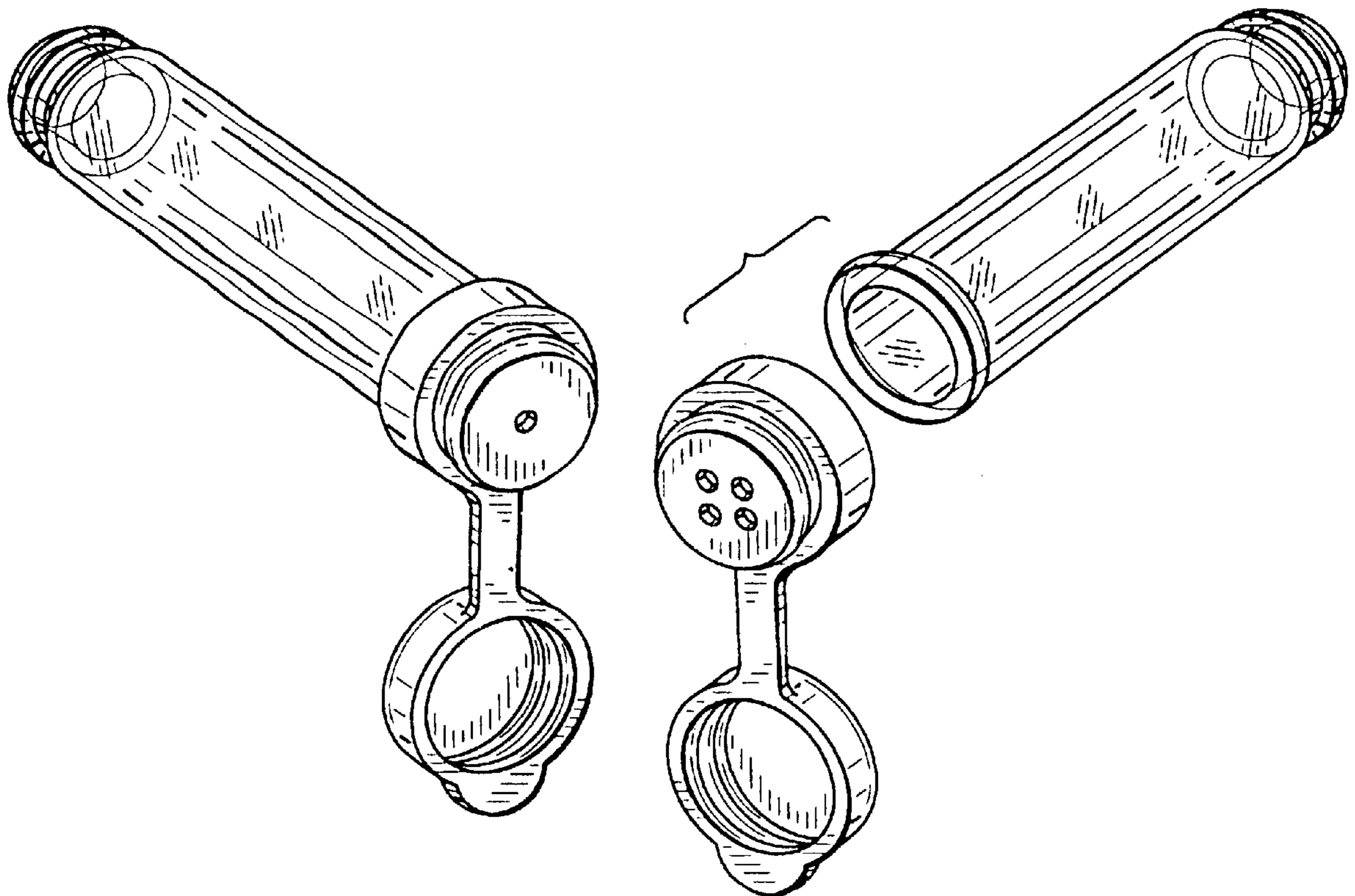
(56) **References Cited**

U.S. PATENT DOCUMENTS

D. 160,876	*	11/1950	Mesi	D7/596
917,804	*	4/1909	Sedgwick	222/142.1
2,459,133	*	1/1949	Nyberg	222/142.2
2,753,051	*	7/1956	Tupper	222/142.1
3,485,416	*	12/1969	Fohrman	222/142.1

* cited by examiner

1 Claim, 2 Drawing Sheets



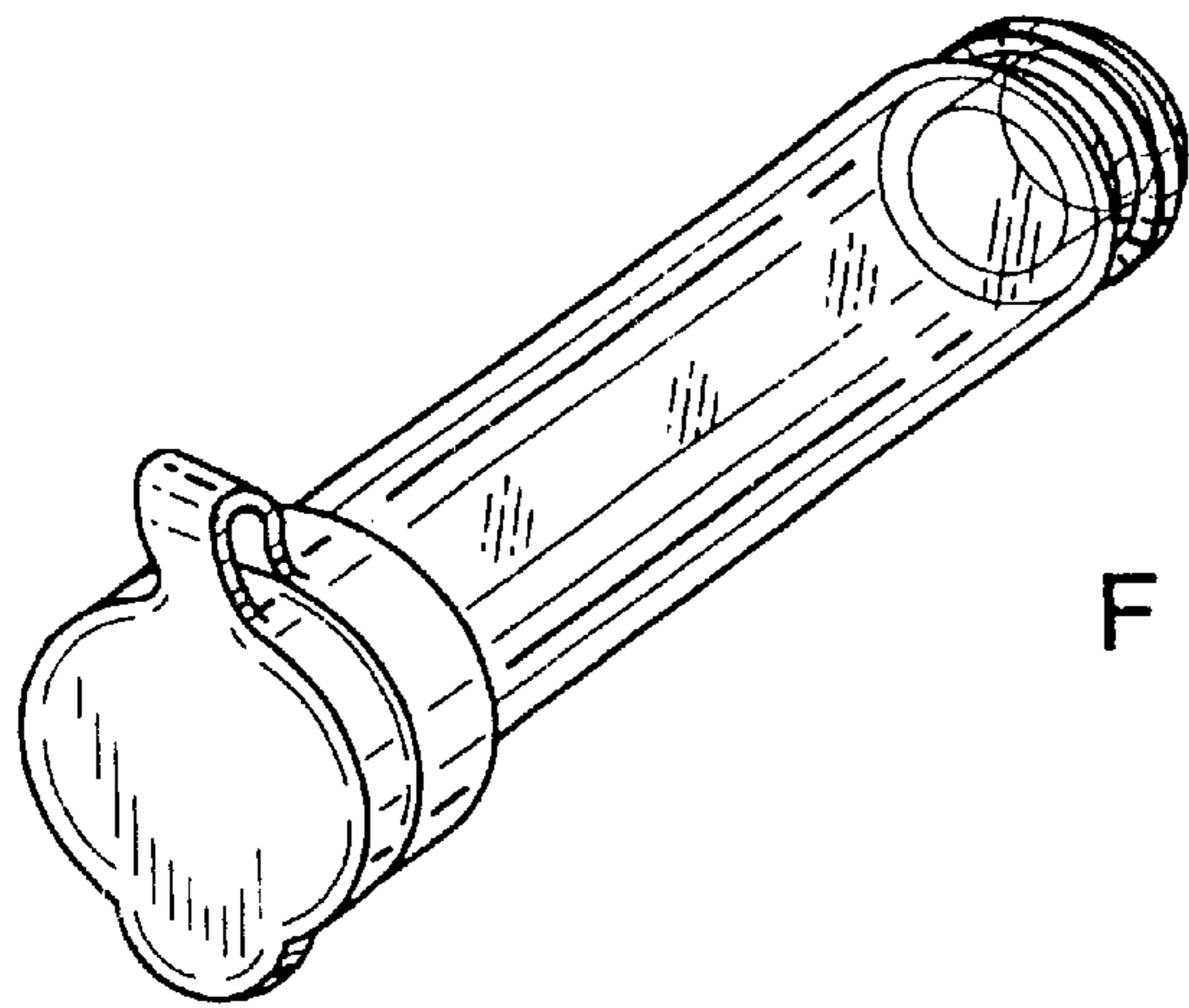


FIG. 1

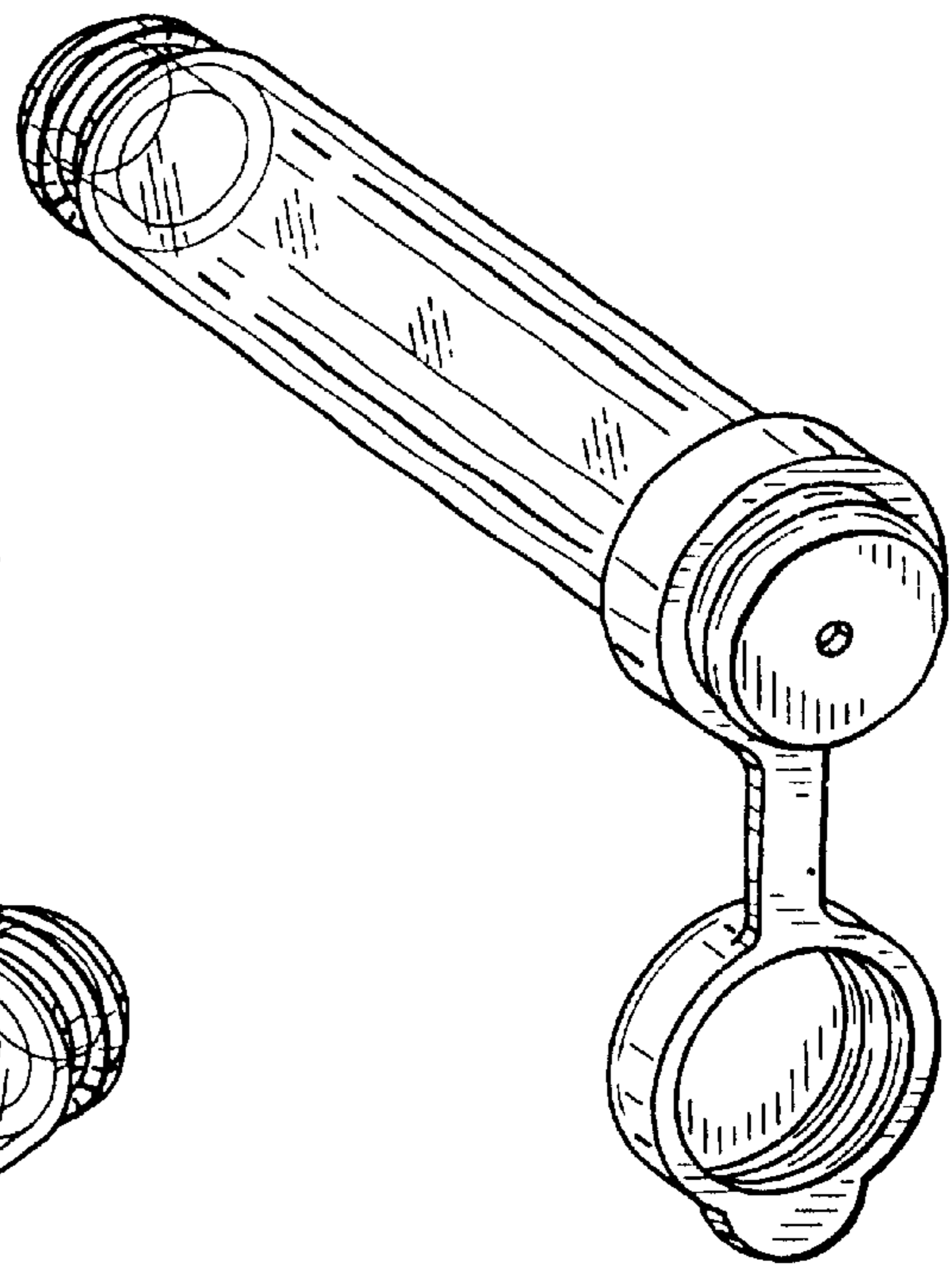


FIG. 2

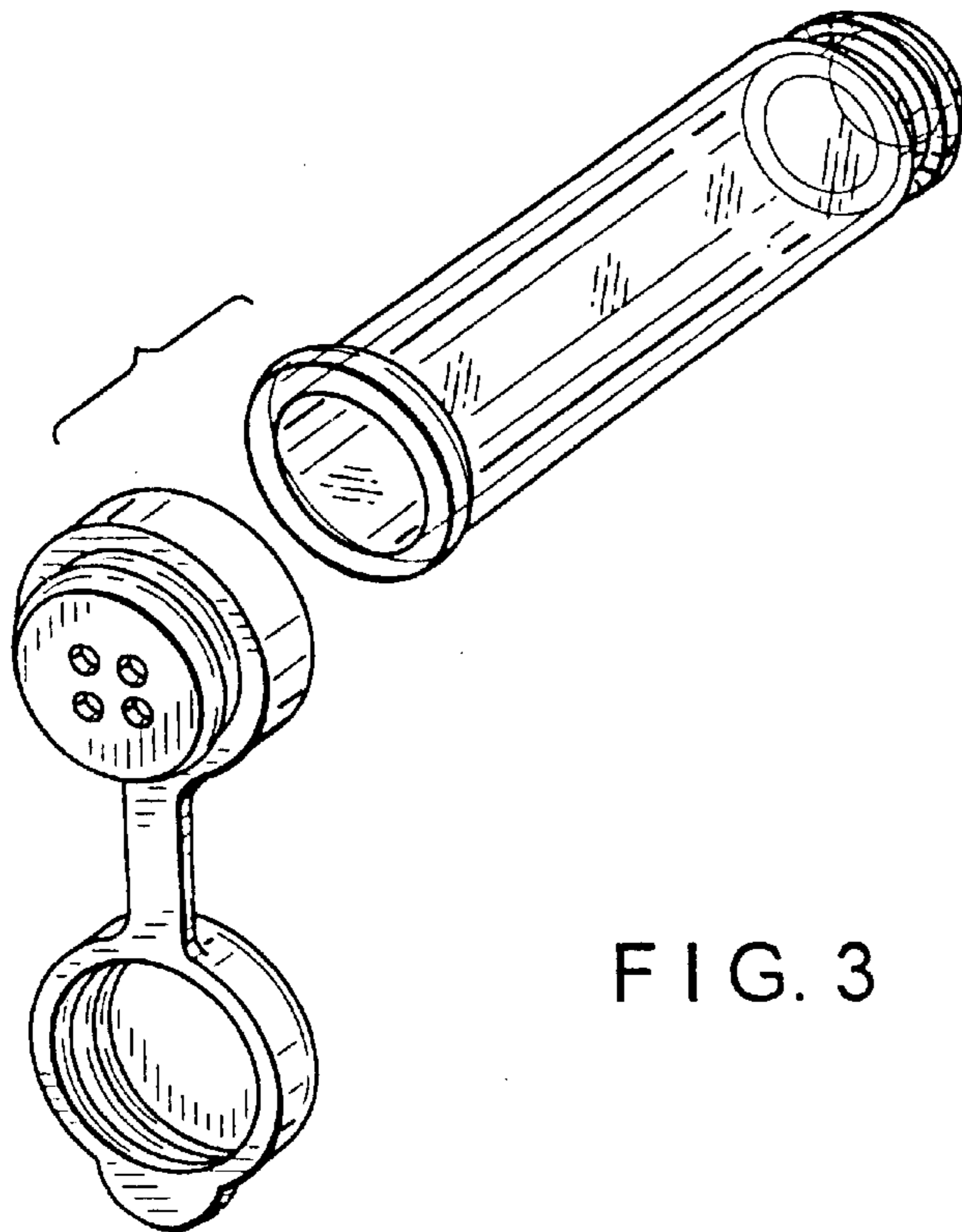


FIG. 3

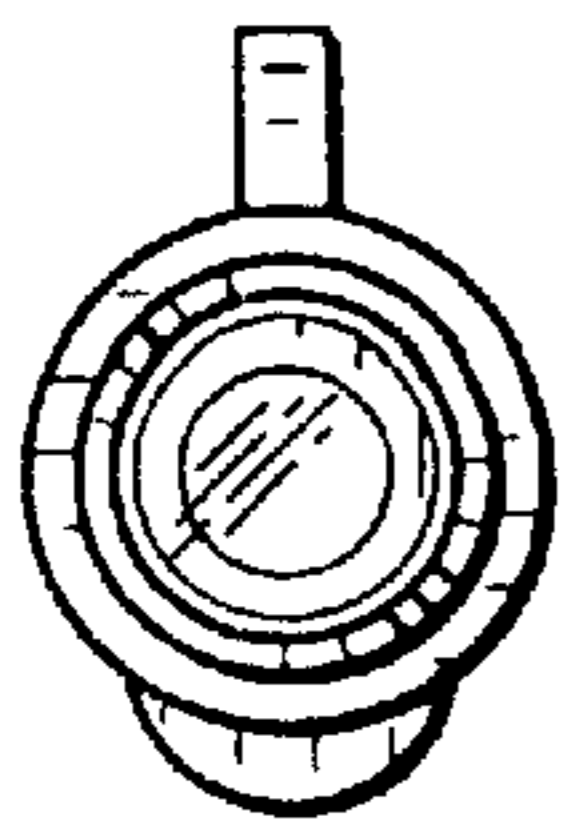


FIG. 6

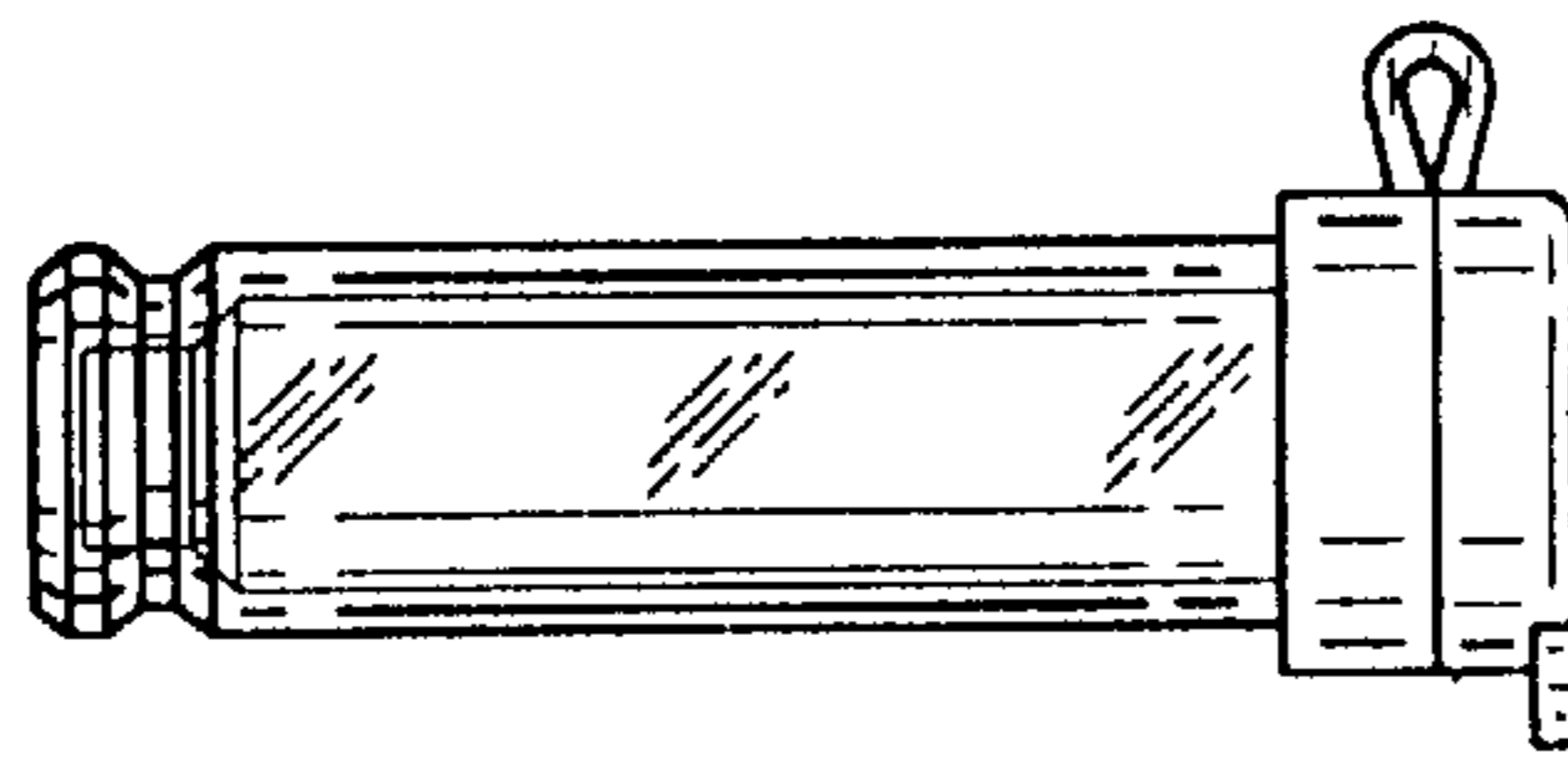


FIG. 4

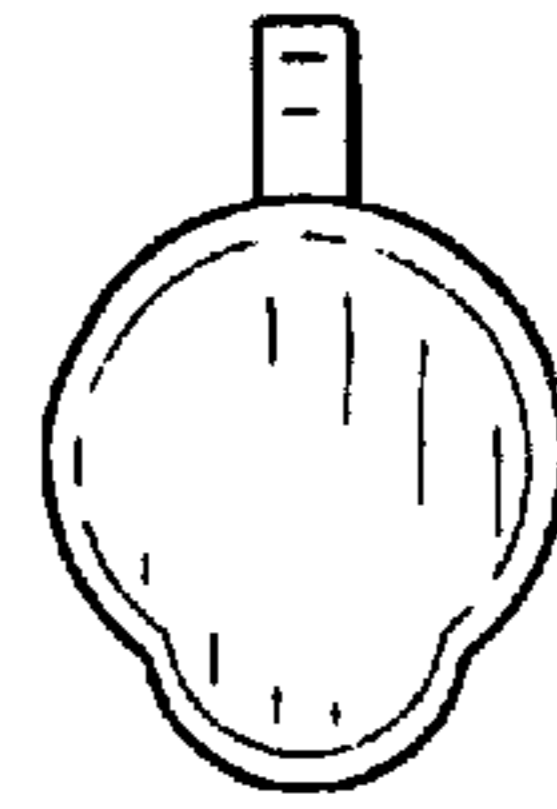


FIG. 5

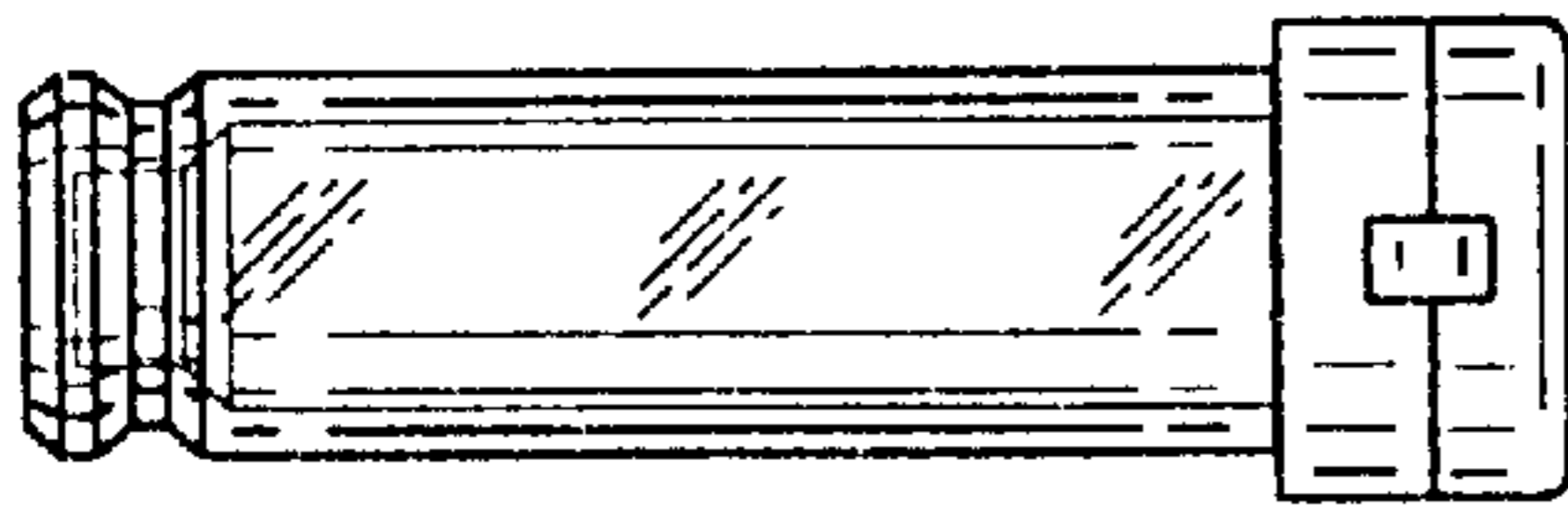


FIG. 7

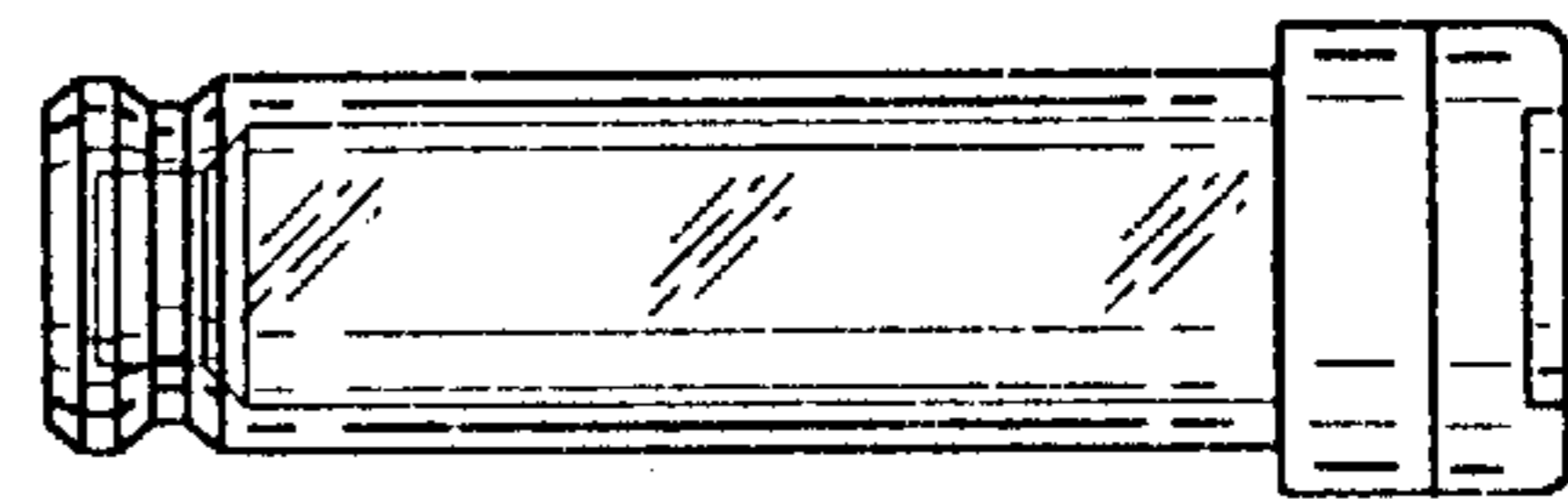


FIG. 8

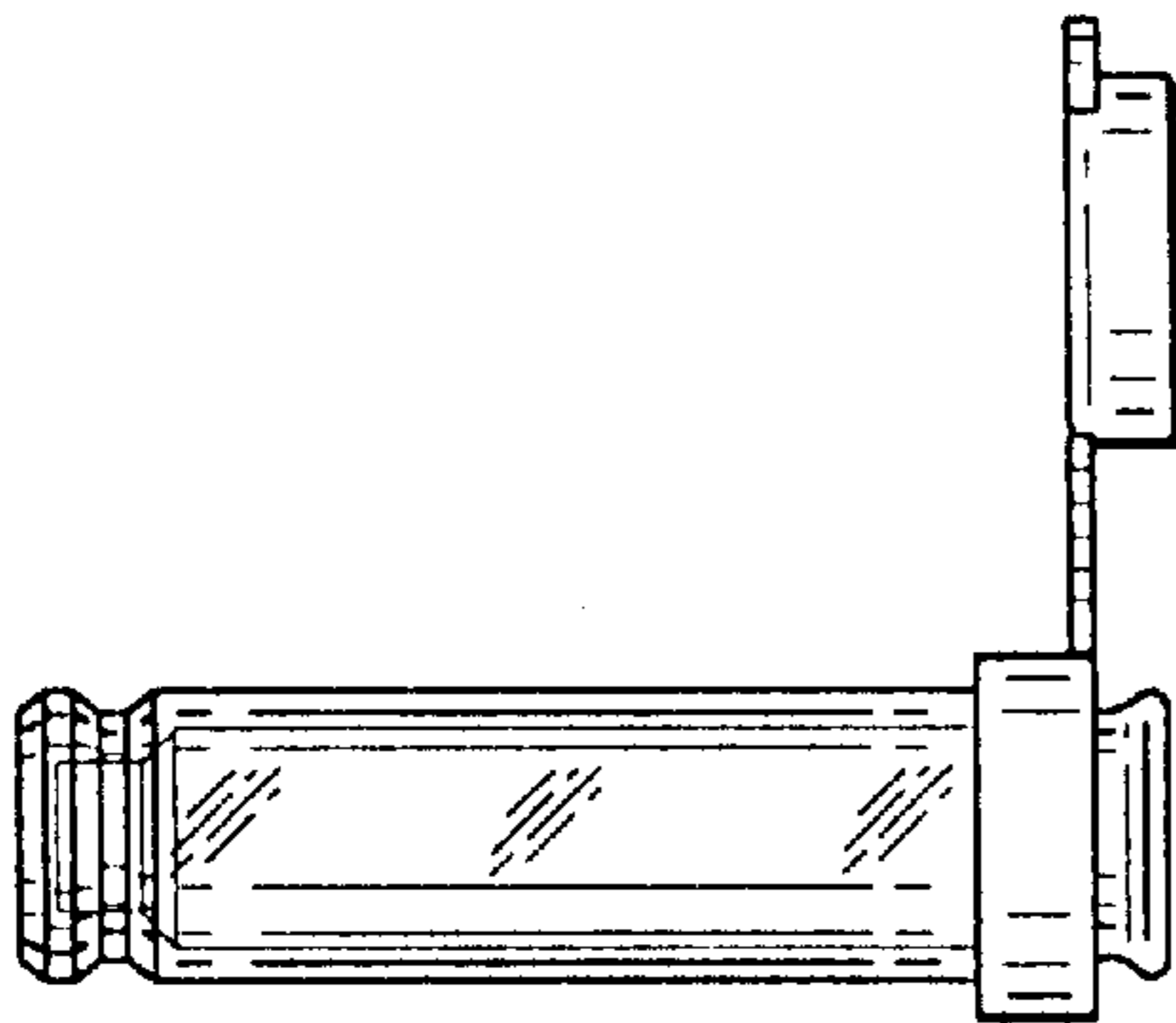


FIG. 9

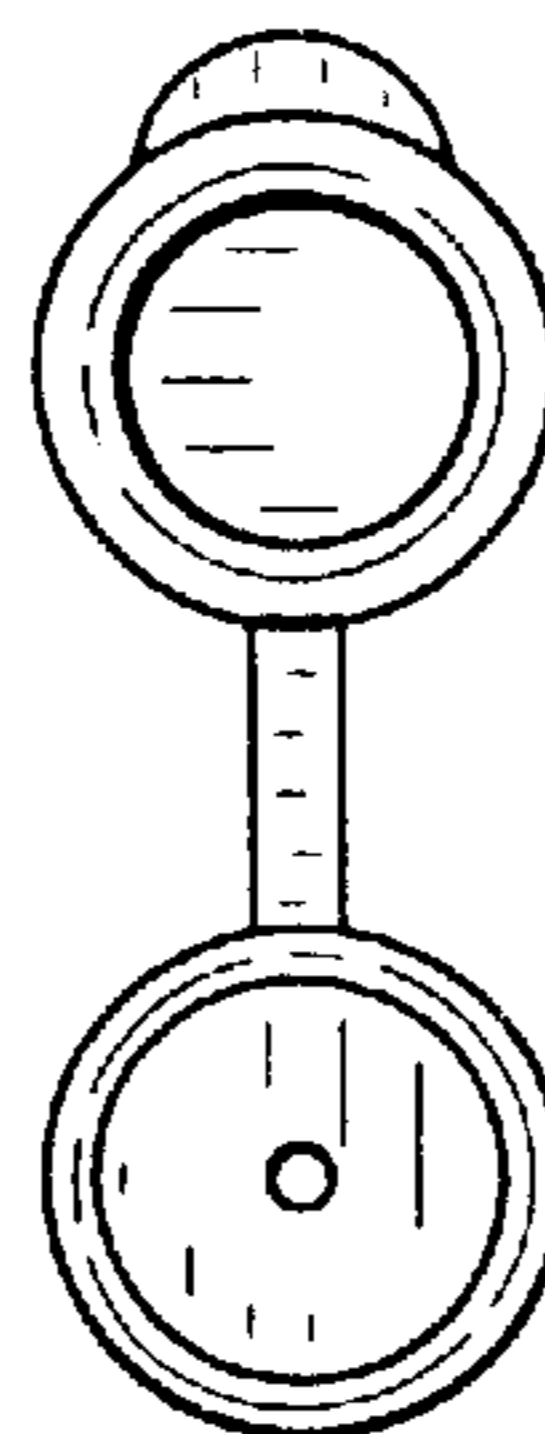


FIG. 10

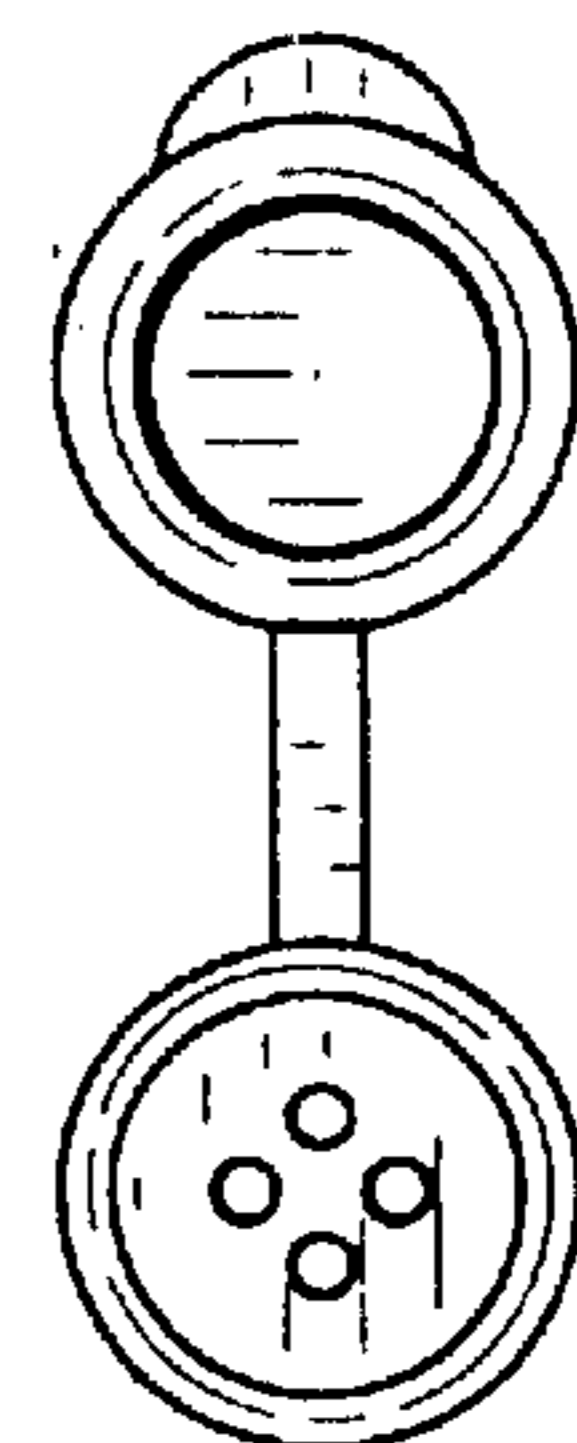


FIG. 11