



US00D452117B1

(12) **United States Design Patent**
Yeh

(10) **Patent No.:** **US D452,117 S**

(45) **Date of Patent:** **** Dec. 18, 2001**

(54) **DRINKING CUP**

(76) Inventor: **Chung-Jang Yeh**, No.87, Bei Mei Road, Ho Mei Town, Chang Hua Hsien (TW)

(**) Term: **14 Years**

(21) Appl. No.: **29/123,693**

(22) Filed: **May 24, 2000**

(51) **LOC (7) Cl.** **07-01**

(52) **U.S. Cl.** **D7/536; D7/533**

(58) **Field of Search** D7/509, 510, 511, D7/533, 536, 622, 319; 220/713, 373, 630, 737, 715, 741; 215/395; 165/47; 294/33

(56) **References Cited**

U.S. PATENT DOCUMENTS

D. 211,818	*	7/1968	Massey	D7/622
D. 302,634	*	8/1989	Segal	D7/536
D. 350,457	*	9/1994	Bailey	D7/622
D. 378,261	*	3/1997	Jorgensen	D7/319
D. 416,444	*	11/1999	Jorgensen	D7/536

2,961,112	*	11/1960	Didion	215/395
2,961,121	*	11/1960	Bergey	220/741
4,723,801	*	2/1988	Musumeci et al.	294/33
4,765,393	*	8/1988	Baxter	165/47

* cited by examiner

Primary Examiner—M. N. Pandozzi

(74) *Attorney, Agent, or Firm*—Bacon & Thomas, PLLC

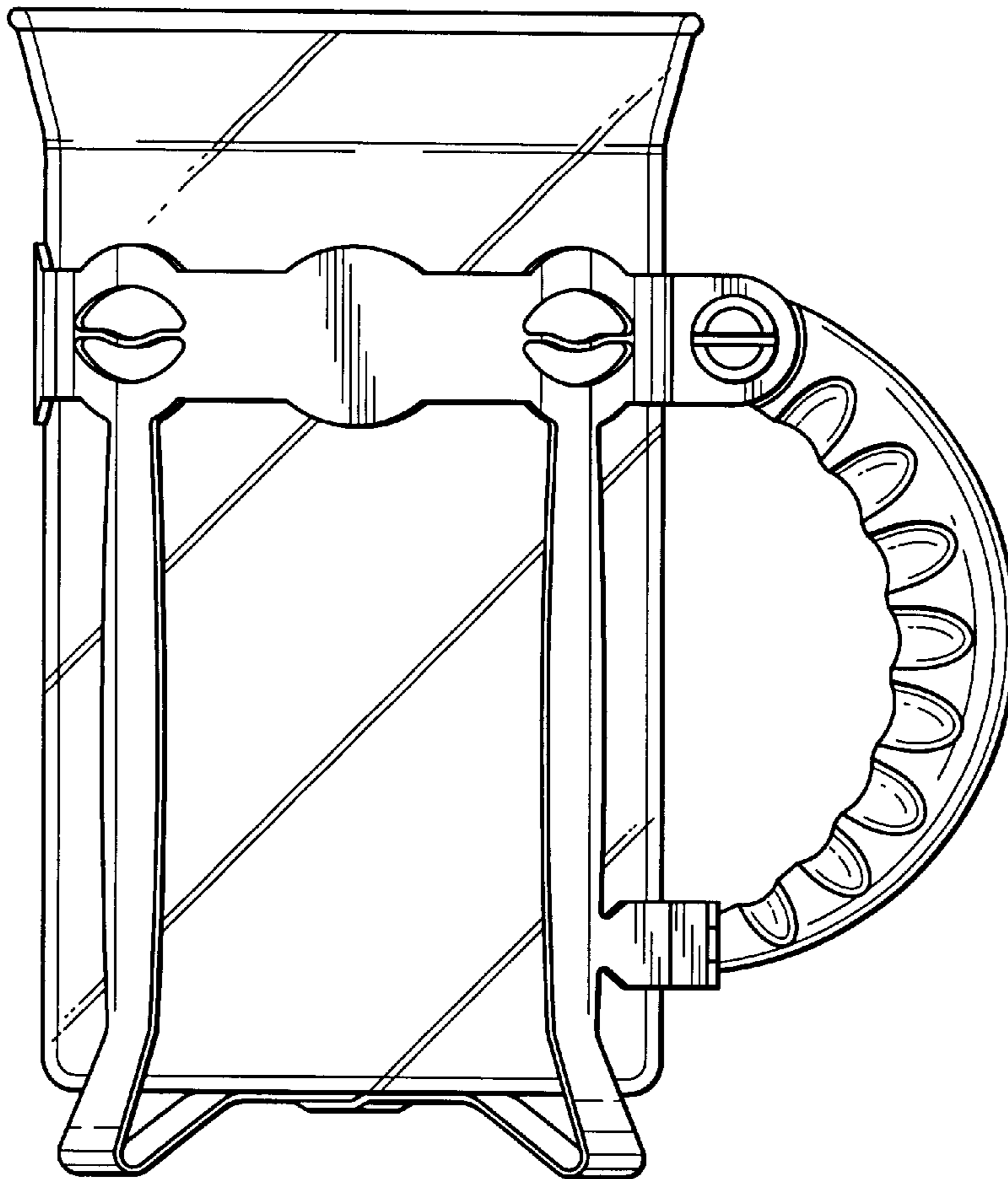
(57) **CLAIM**

The ornamental design for drinking cup, as shown and described.

DESCRIPTION

FIG. 1 is a perspective view of drinking cup showing my new design;
 FIG. 2 is a front elevational view thereof;
 FIG. 3 is a rear elevational view thereof;
 FIG. 4 is a right side elevational view thereof;
 FIG. 5 is a left side elevational view thereof;
 FIG. 6 is a top plan view thereof; and,
 FIG. 7 is a bottom plan view thereof.

1 Claim, 7 Drawing Sheets



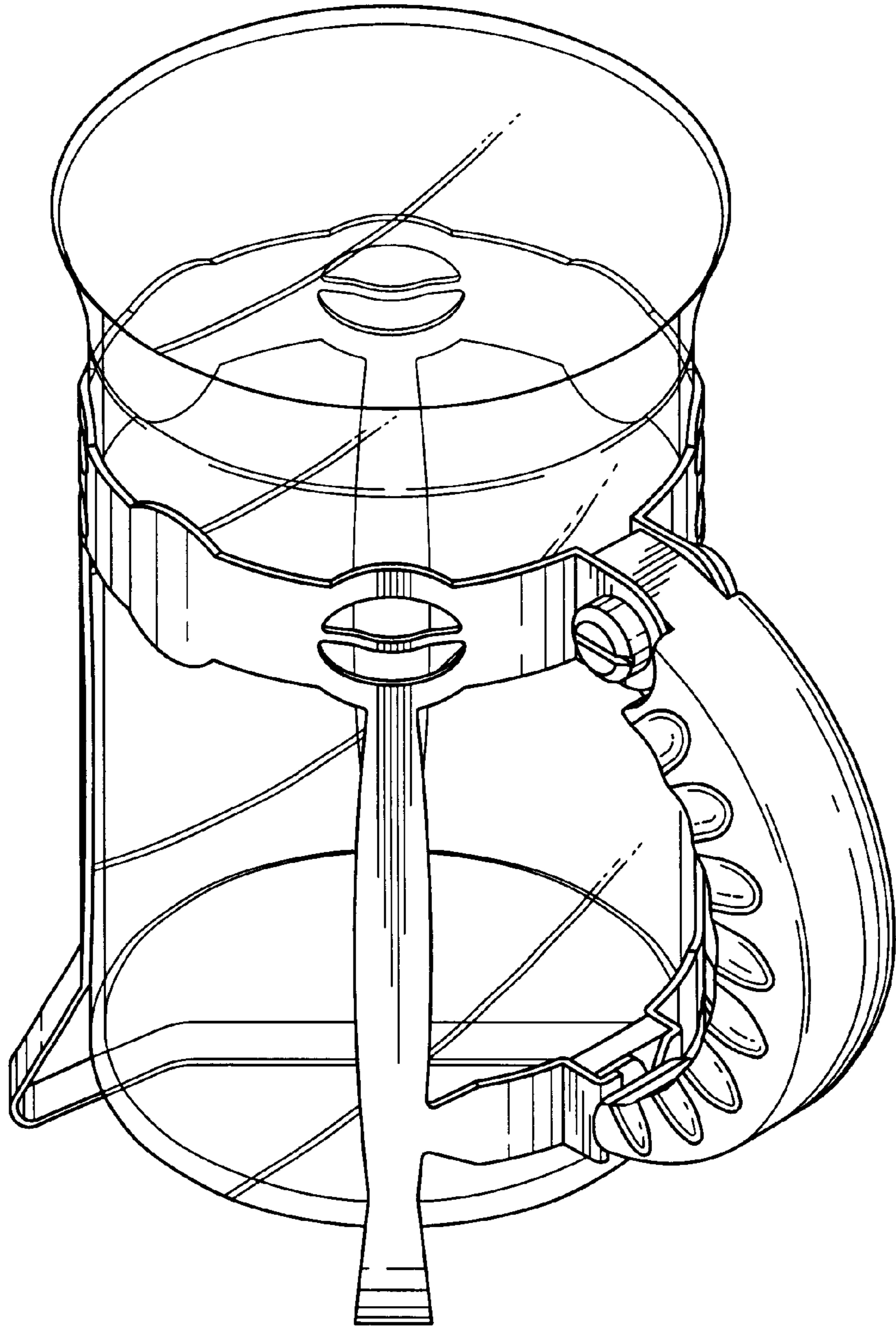


Fig. 1

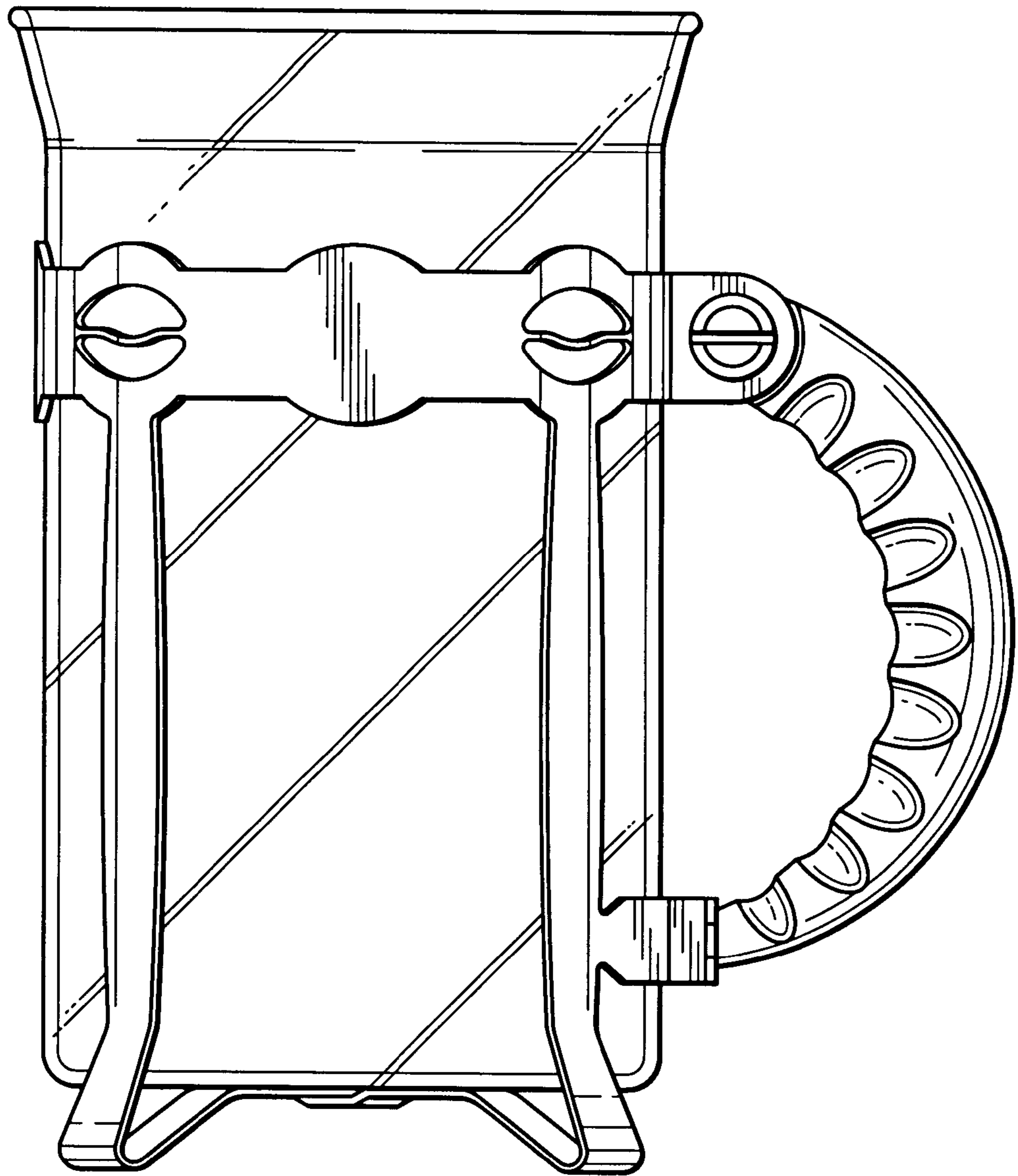


Fig. 2

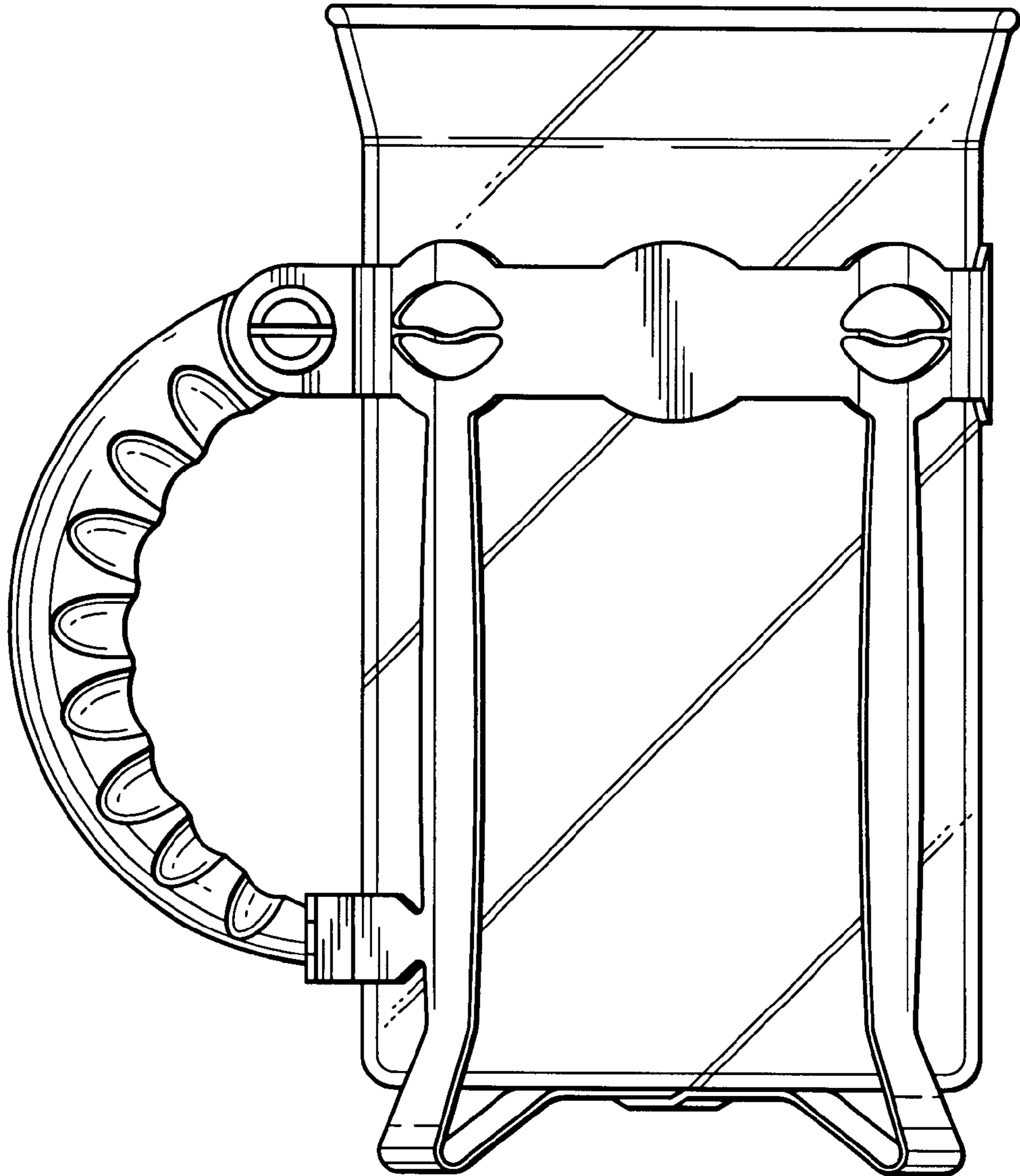


Fig. 3

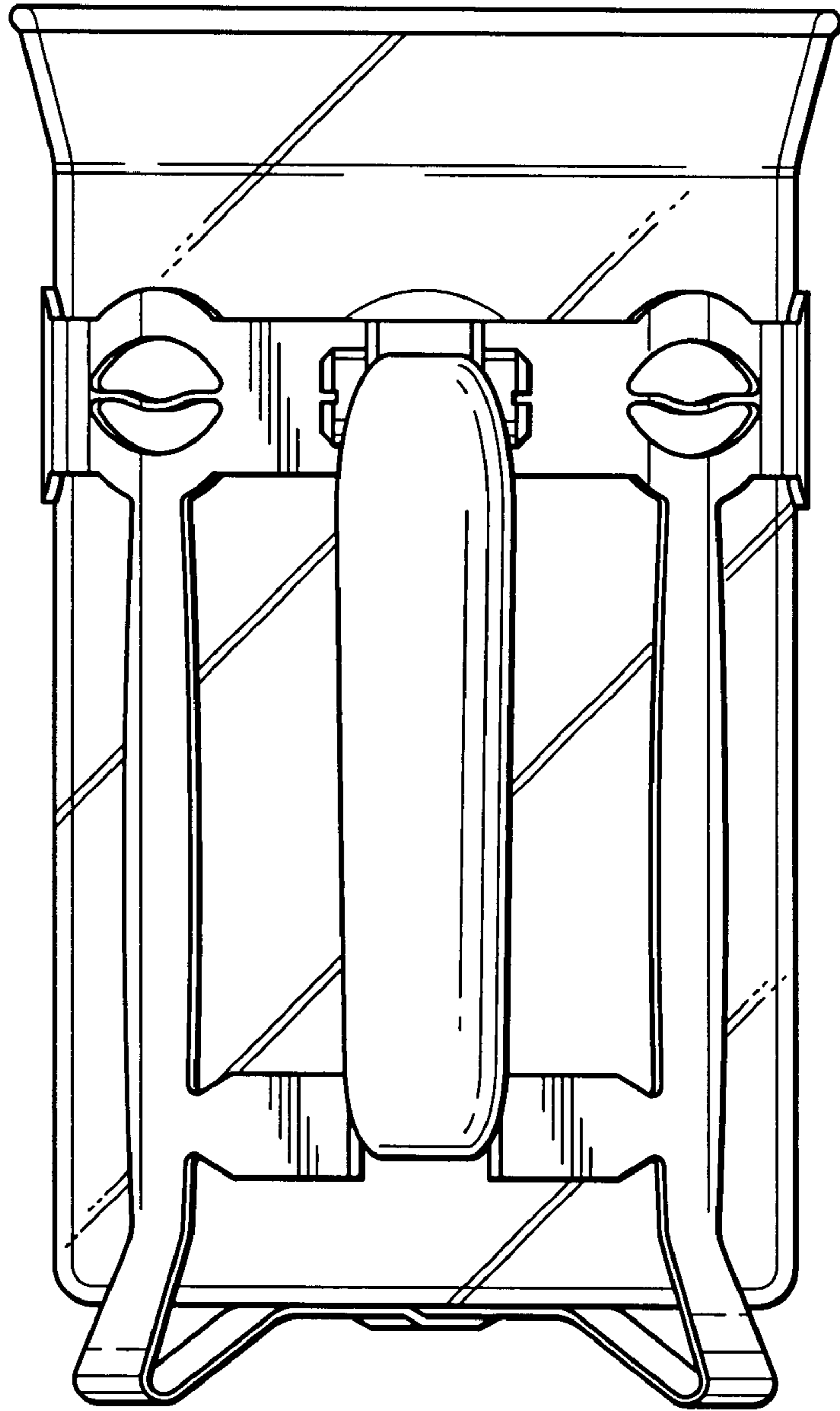


Fig. 4

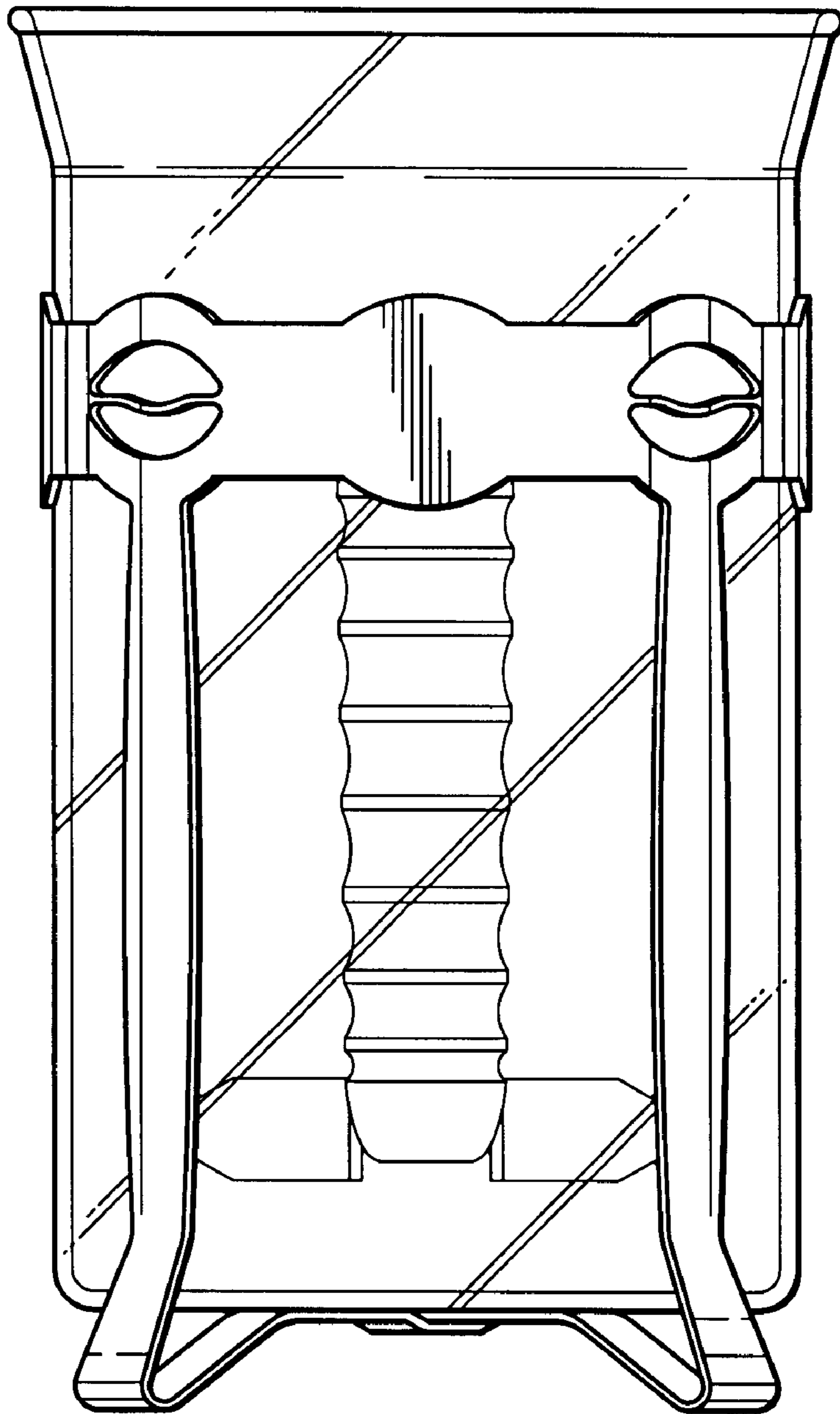


Fig. 5

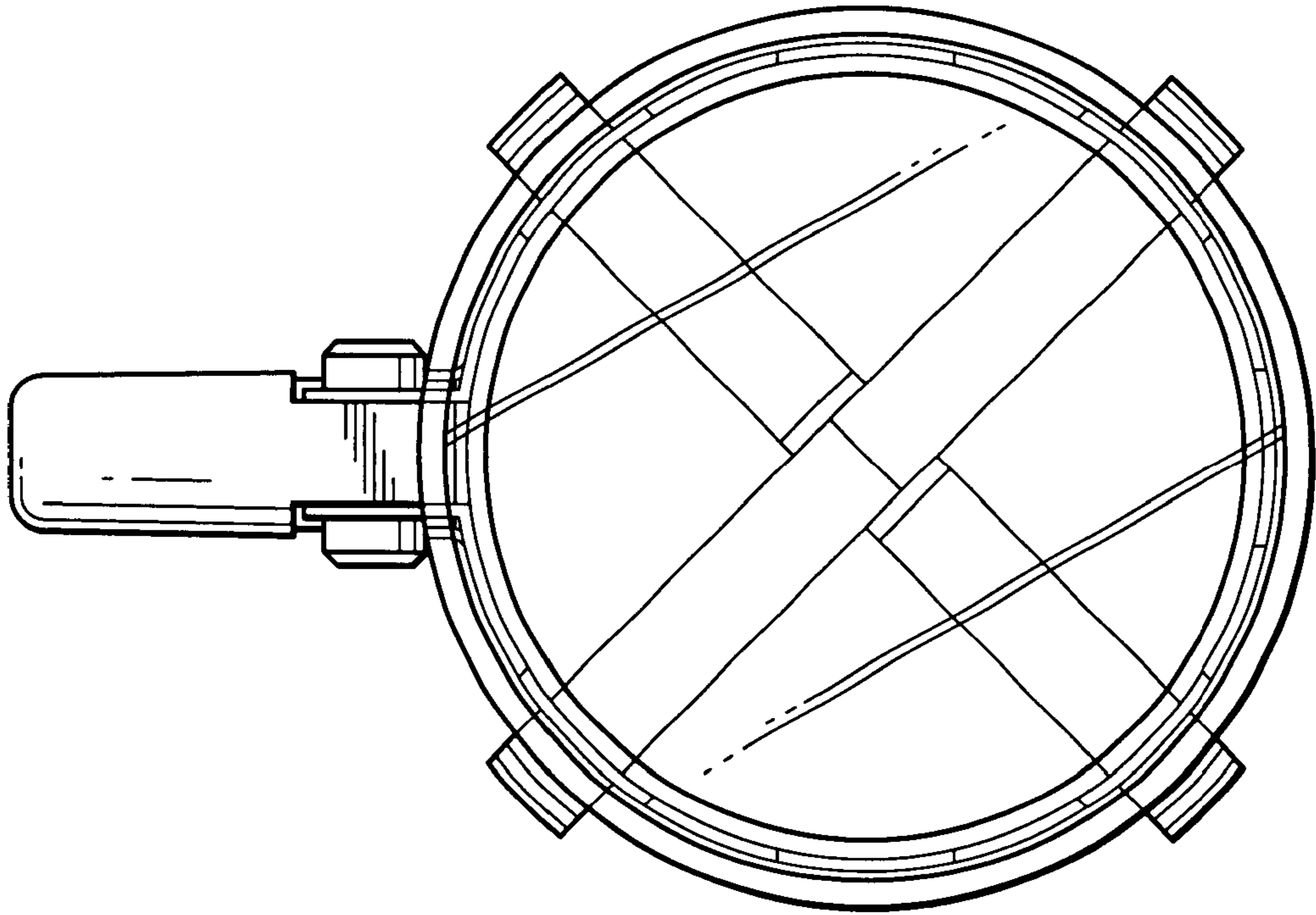


Fig. 6

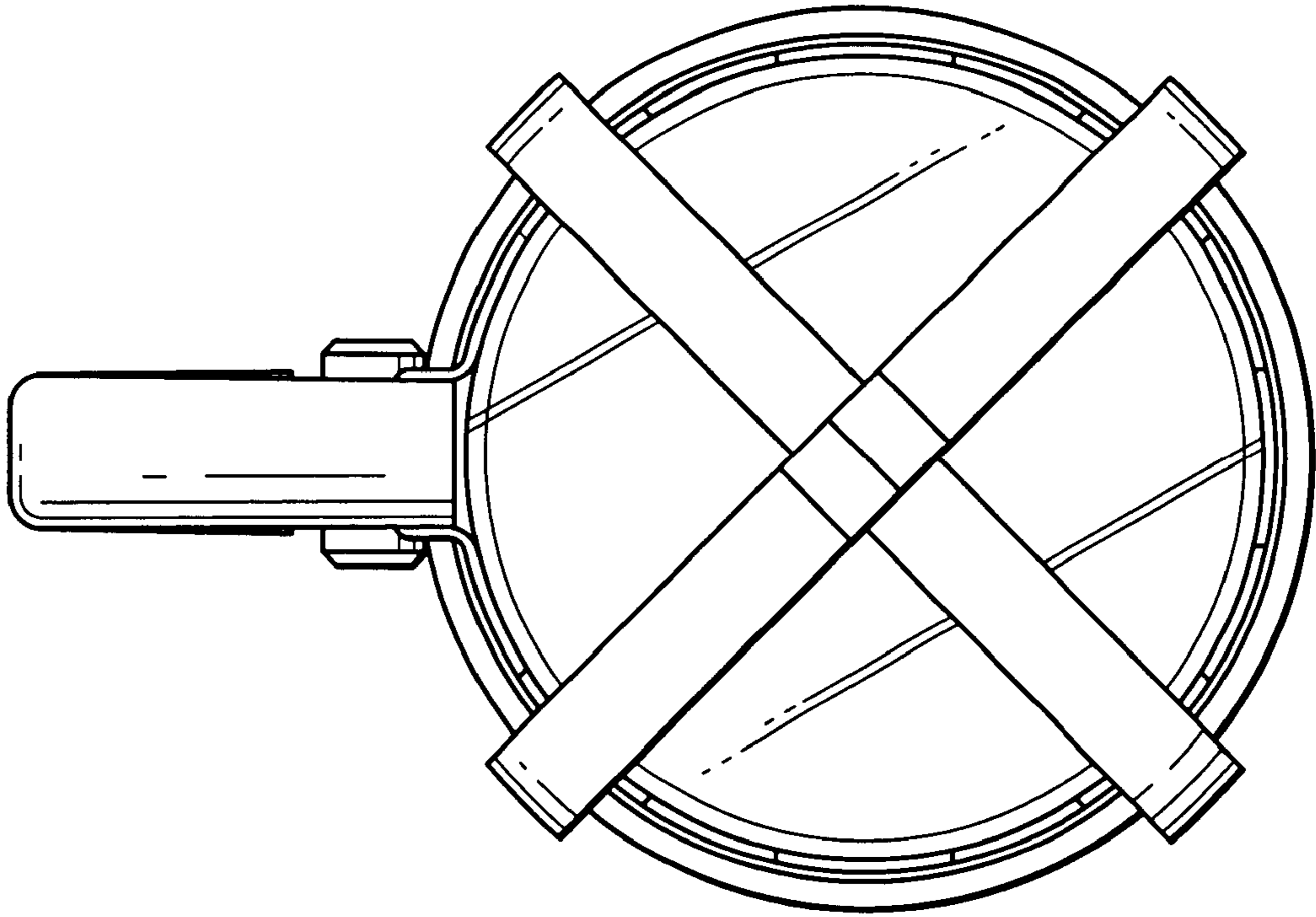


Fig. 7