



US00D452110B1

(12) **United States Design Patent**  
**Brandel et al.**

(10) **Patent No.: US D452,110 S**

(45) **Date of Patent: \*\* Dec. 18, 2001**

(54) **FOOD WASTE DISPOSER**

(75) Inventors: **Robert L. Brandel**, Elm Grove; **Scott W. Anderson**, Racine, both of WI (US); **Jonathan P. Van Dore**, Minneapolis, MN (US)

(73) Assignee: **Emerson Electric Co.**, St. Louis, MO (US)

(\*\*) Term: **14 Years**

(21) Appl. No.: **29/121,625**

(22) Filed: **Apr. 10, 2000**

(51) **LOC (7) Cl. .... 31-00**

(52) **U.S. Cl. .... D7/375; D7/372**

(58) **Field of Search ..... D7/372, 375; 241/46.013, 241/46.014, 46.015, 46.016; 4/DIG. 4, 629; 222/421, 465.1, 333; 215/380, 48; 435/290.4**

(56) **References Cited**

**U.S. PATENT DOCUMENTS**

D. 194,128	*	11/1962	Hawkins	.....	D55/1
D. 207,918	*	6/1967	Clark	.....	D55/1
D. 212,127	*	8/1968	Smith	.....	D55/1
D. 431,752	*	10/2000	Brandel et al.	.....	D7/375
1,765,267	*	6/1930	Hartman	.	
2,225,171		12/1940	Hammes	.....	83/6
3,161,360	*	12/1964	Levine	.....	241/100.5
3,165,271	*	1/1965	Enright	.....	241/300
3,589,624		6/1971	Smith	.....	241/46.08
3,814,333	*	6/1974	Sapienza	.....	241/46 B
3,875,462		4/1975	Kiefer et al.	.....	317/13 R

5,340,036		8/1994	Riley	.....	241/56
5,795,062	*	8/1998	Johnson	.....	366/136
5,856,173		1/1999	Riley et al.	.....	435/264
6,007,006		12/1999	Engel et al.	.....	241/46.014

**OTHER PUBLICATIONS**

Brochure, In-Sink-Erator *Nothing Works Like a Pro™*, 1998.

Brochure, In-Sink-Erator, *Introducing an All New In-Sink-Erator® Lineup*, 1999.

Brochure, In-Sink-Erator, *Food Waste Disposers by In-Sink-Erator®*, 1995.

\* cited by examiner

*Primary Examiner*—James Gandy

*Assistant Examiner*—Daniel Bui

(74) *Attorney, Agent, or Firm*—Howrey Simon Arnold & White, LLP

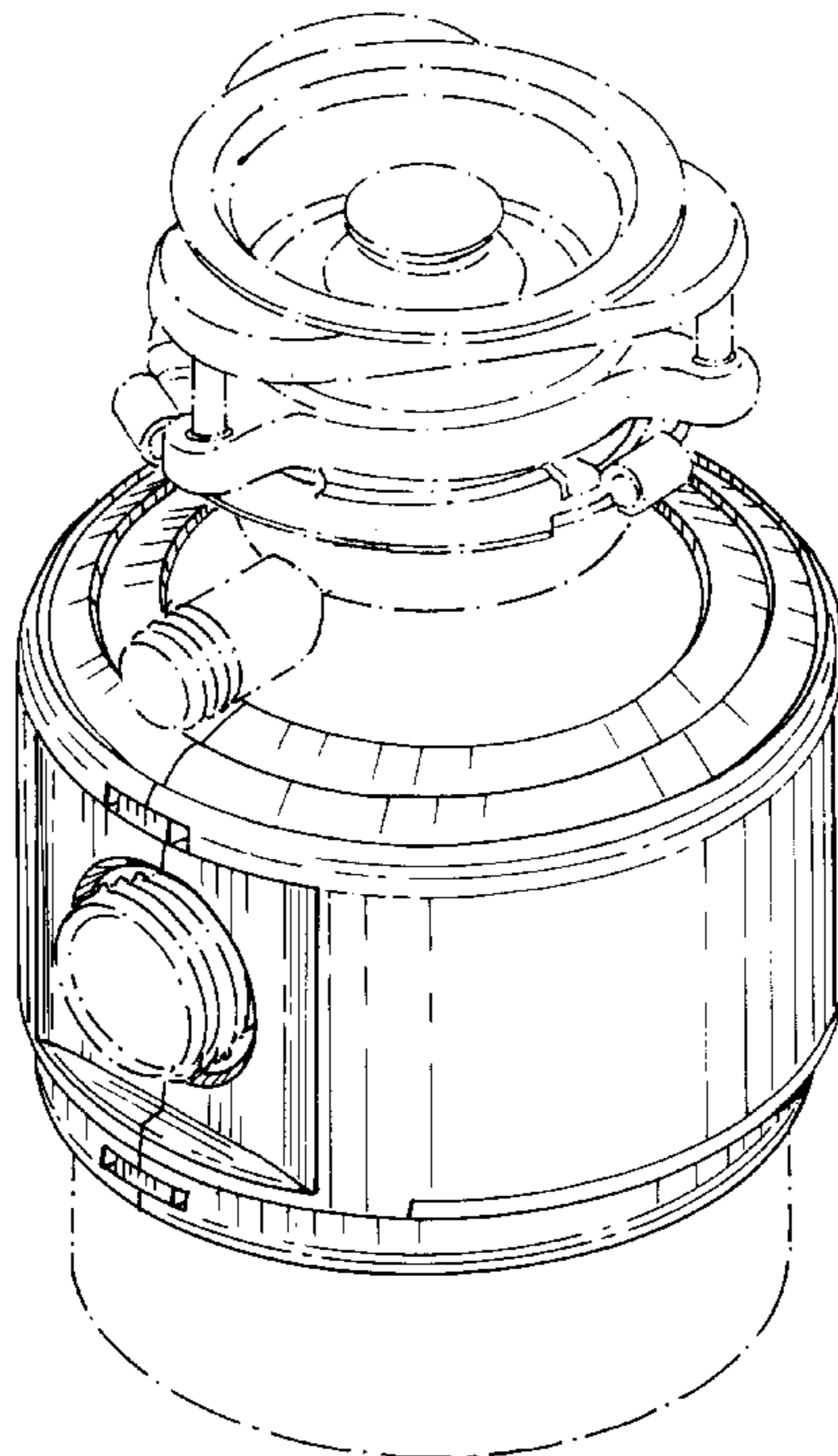
(57) **CLAIM**

The ornamental design for a “food waste disposer”, as shown and described.

**DESCRIPTION**

FIG. 1 is a perspective view of the “food waste disposer”. FIG. 2 is a rear elevation view of the “food waste disposer”. FIG. 3 is a side elevation view of the “food waste disposer”. FIG. 4 is a front elevation view of the “food waste disposer”. FIG. 5 is a top plan view of the “food waste disposer”; and, FIG. 6 is a bottom plan view of the “food waste disposer”. The broken lines are for illustrative purposes only and form no part of the claimed design.

**1 Claim, 5 Drawing Sheets**



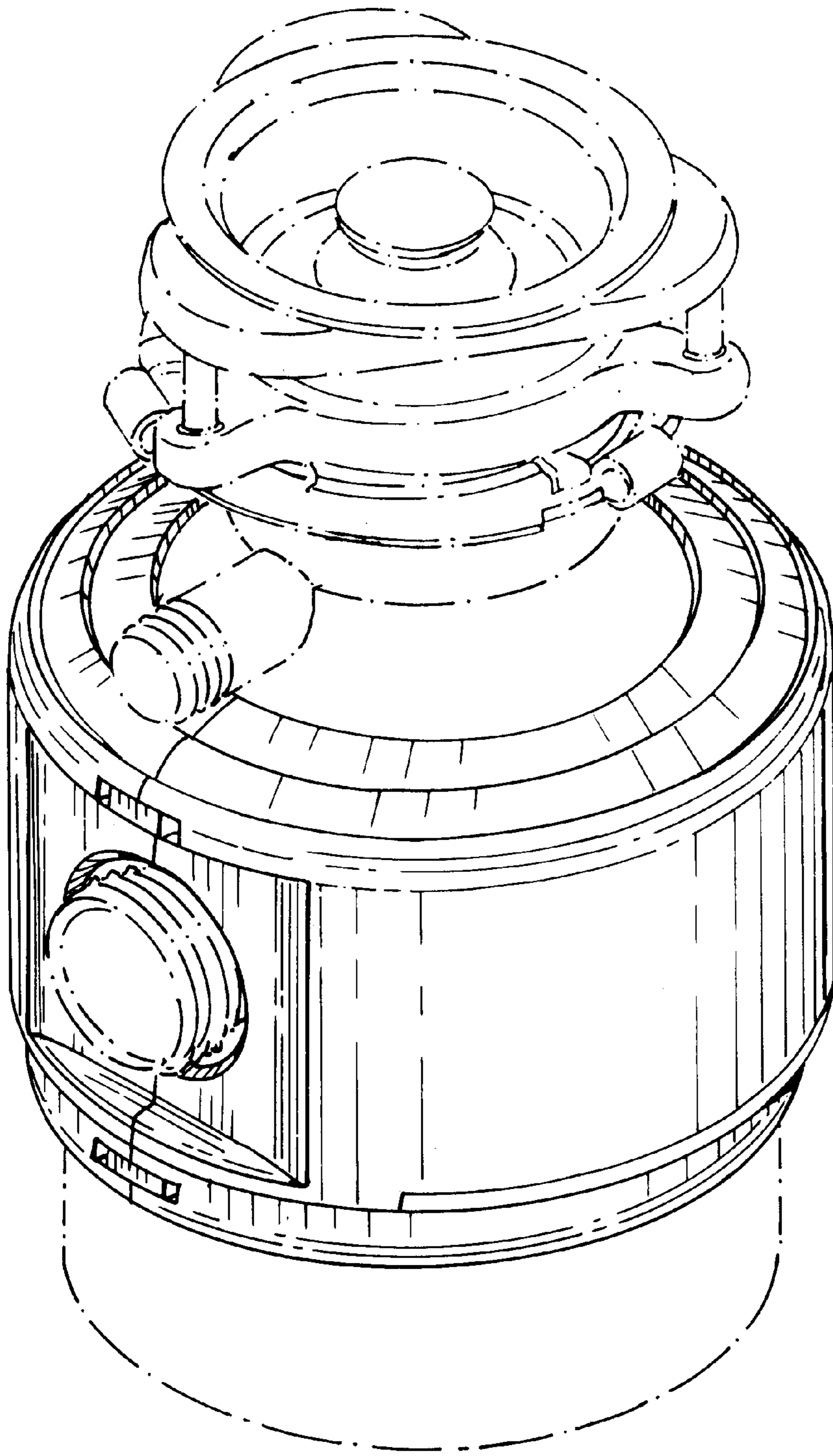
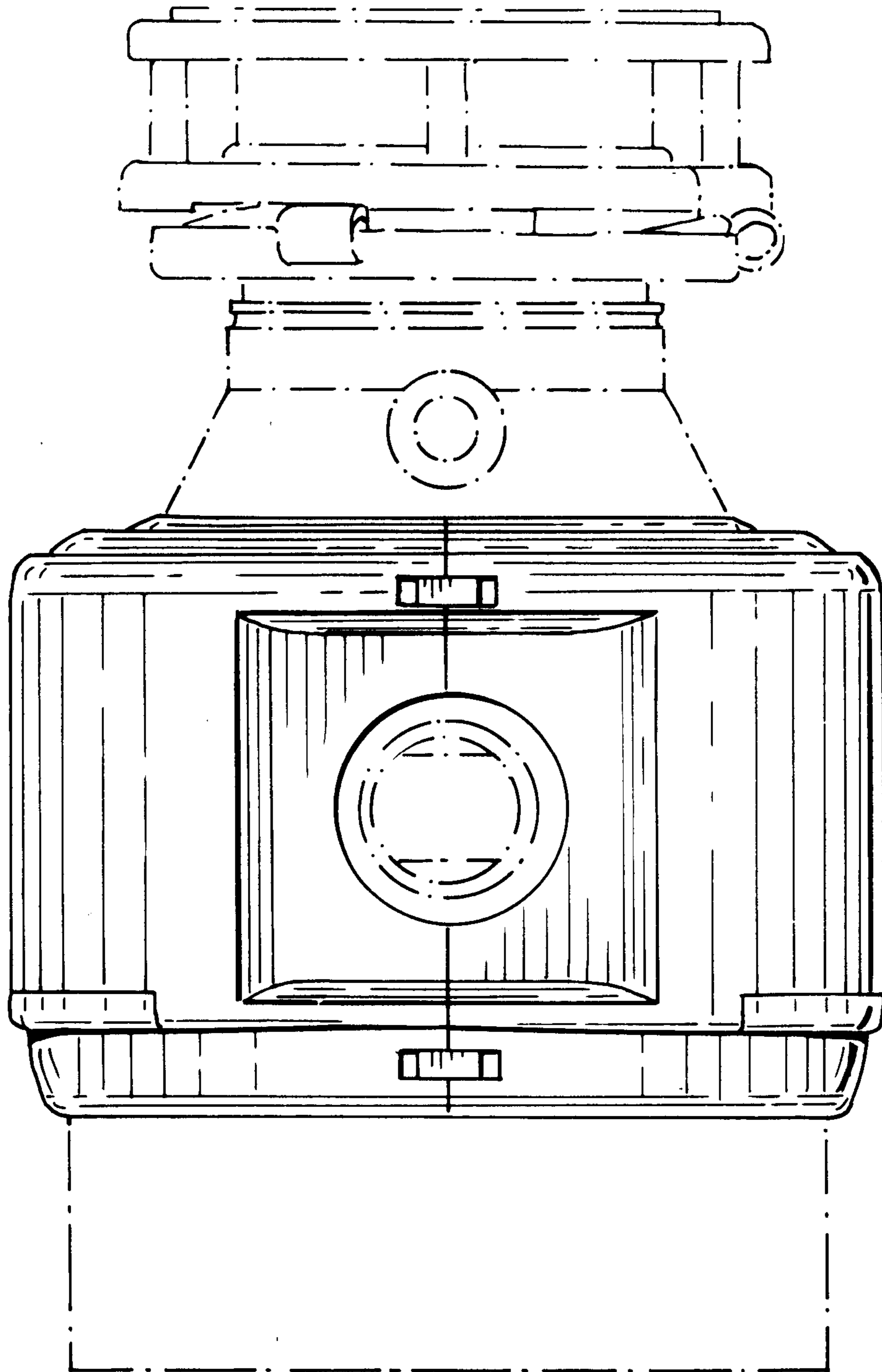
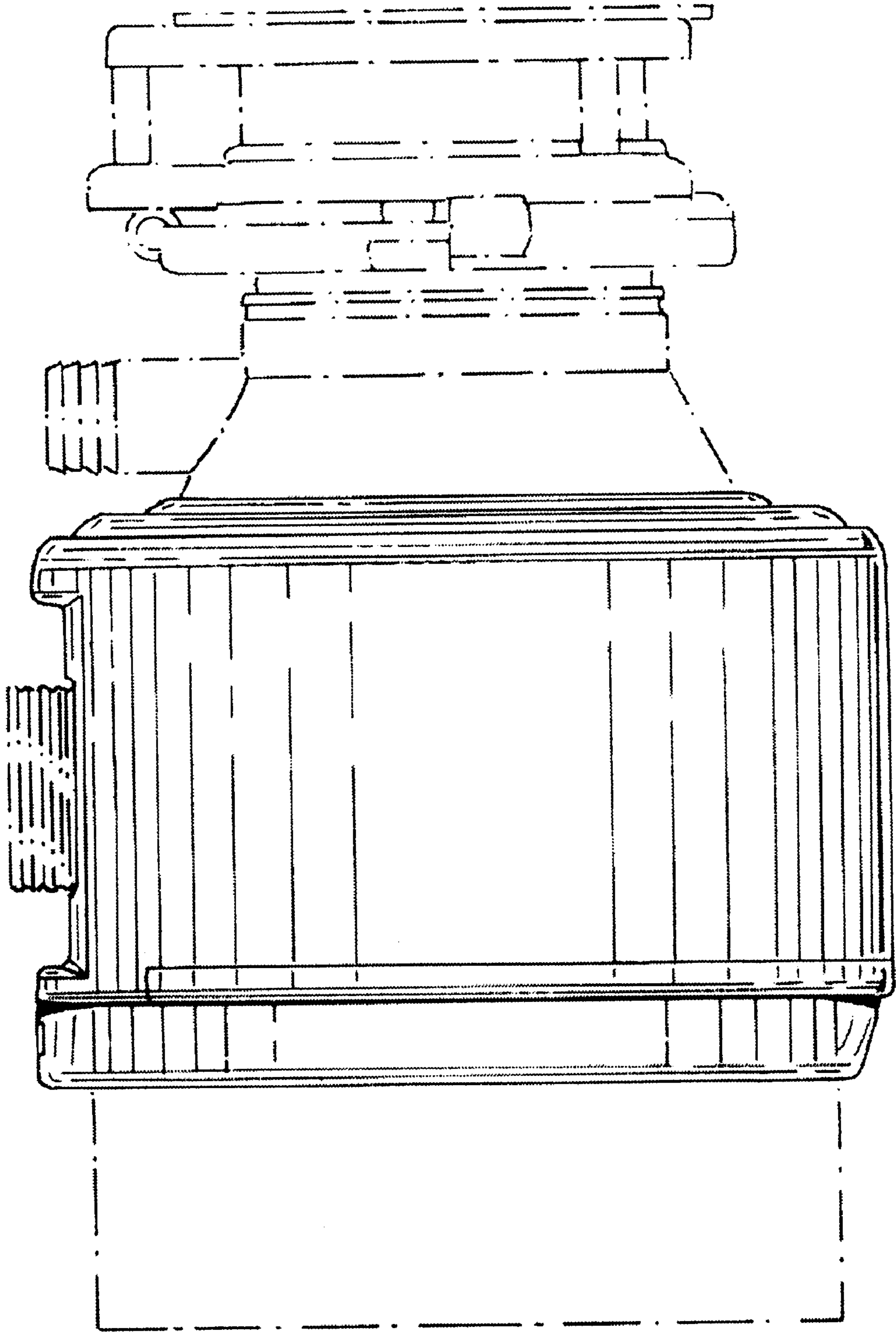


FIG. 1



**FIG. 2**



**FIG. 3**

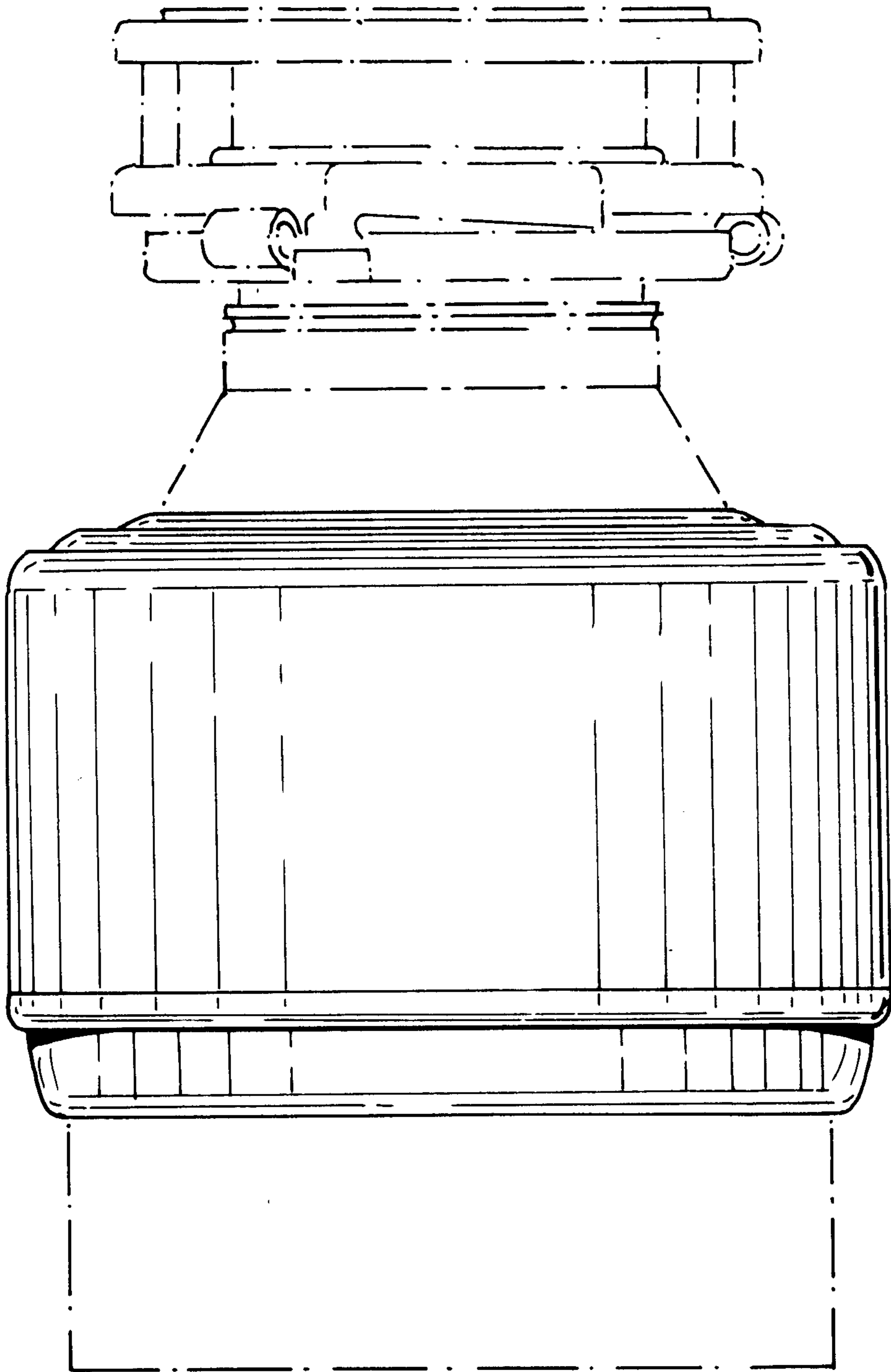
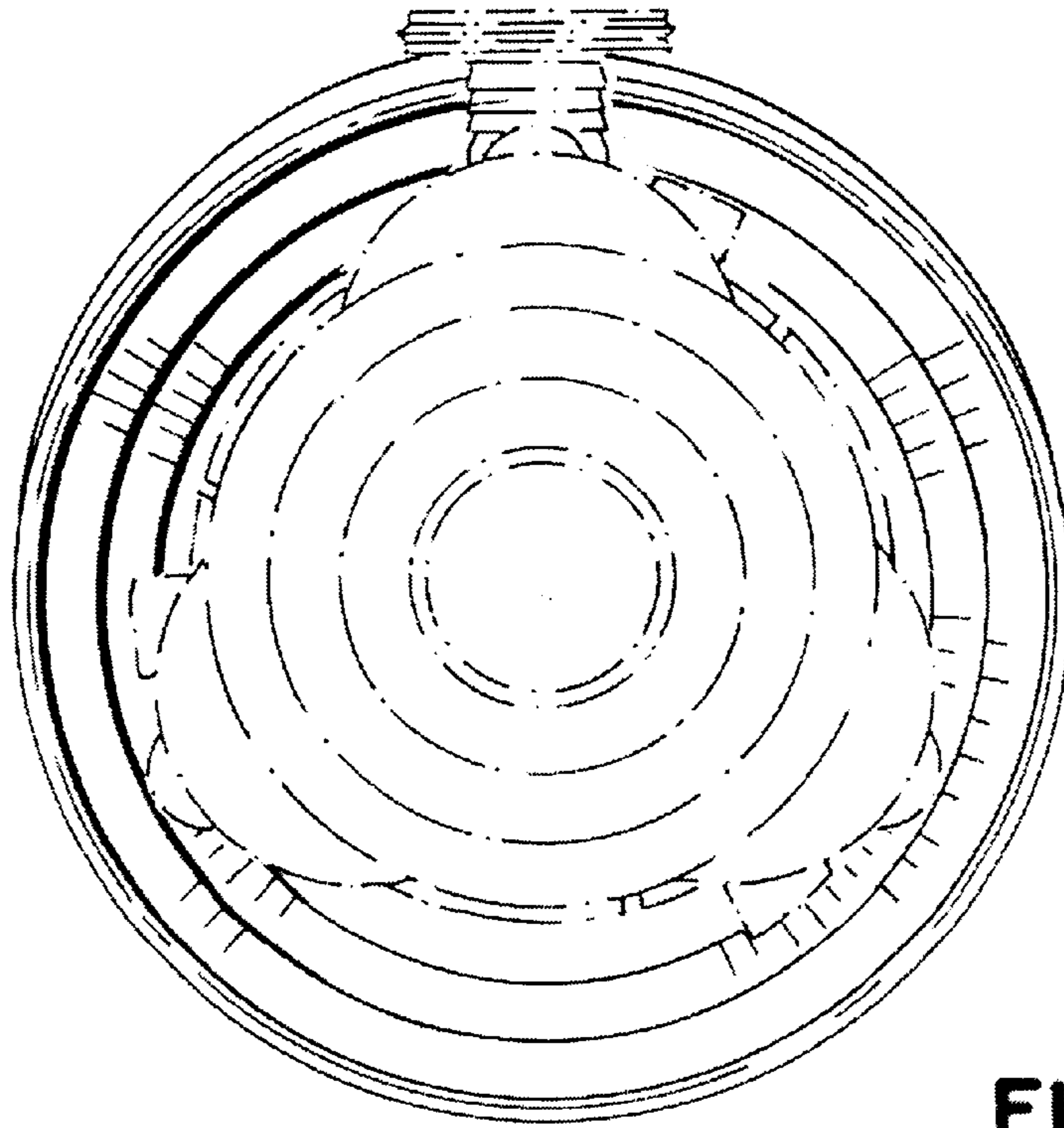
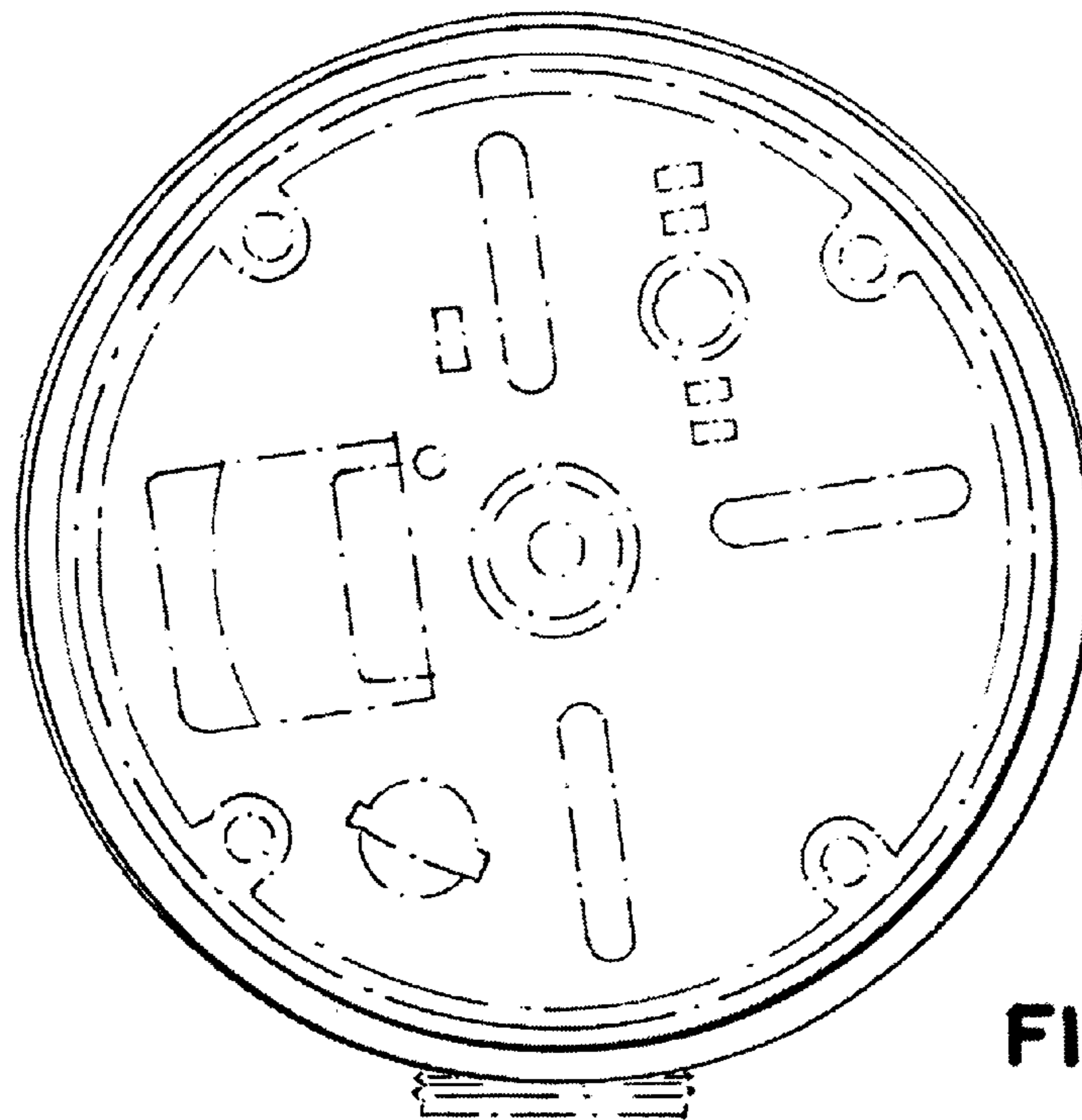


FIG. 4



**FIG. 5**



**FIG. 6**