



US00D452109B1

(12) **United States Design Patent**  
**Hensel**

(10) **Patent No.:** **US D452,109 S**

(45) **Date of Patent:** **\*\* Dec. 18, 2001**

(54) **SANDWICH MAKER**

D. 436,794 \* 1/2001 McClean ..... D7/352

(75) Inventor: **Keith James Hensel**, Naremburn (AU)

\* cited by examiner

(73) Assignee: **Sunbeam Corporation Limited**,  
Campsie (AU)

*Primary Examiner*—Caron D. Veynar

(74) *Attorney, Agent, or Firm*—Frommer Lawrence &  
Haug LLP; William S. Frommer

(\*\*) Term: **14 Years**

(21) Appl. No.: **29/130,775**

(22) Filed: **Oct. 6, 2000**

(30) **Foreign Application Priority Data**

Apr. 6, 2000 (AU) ..... 1115/00

(51) **LOC (7) Cl.** ..... **07-02**

(52) **U.S. Cl.** ..... **D7/352**

(58) **Field of Search** ..... D7/323, 328, 337,  
D7/352, 362, 363, 367; 99/324, 325, 339,  
340, 349, 372, 378

(56) **References Cited**

**U.S. PATENT DOCUMENTS**

D. 369,269 \* 4/1996 Labadia Del Fresno ..... D7/352

(57) **CLAIM**

The ornamental design for a sandwich maker, as shown.

**DESCRIPTION**

FIG. 1 is a perspective view of the sandwich maker showing my new design;

FIG. 2 is a top view thereof;

FIG. 3 is a front view thereof;

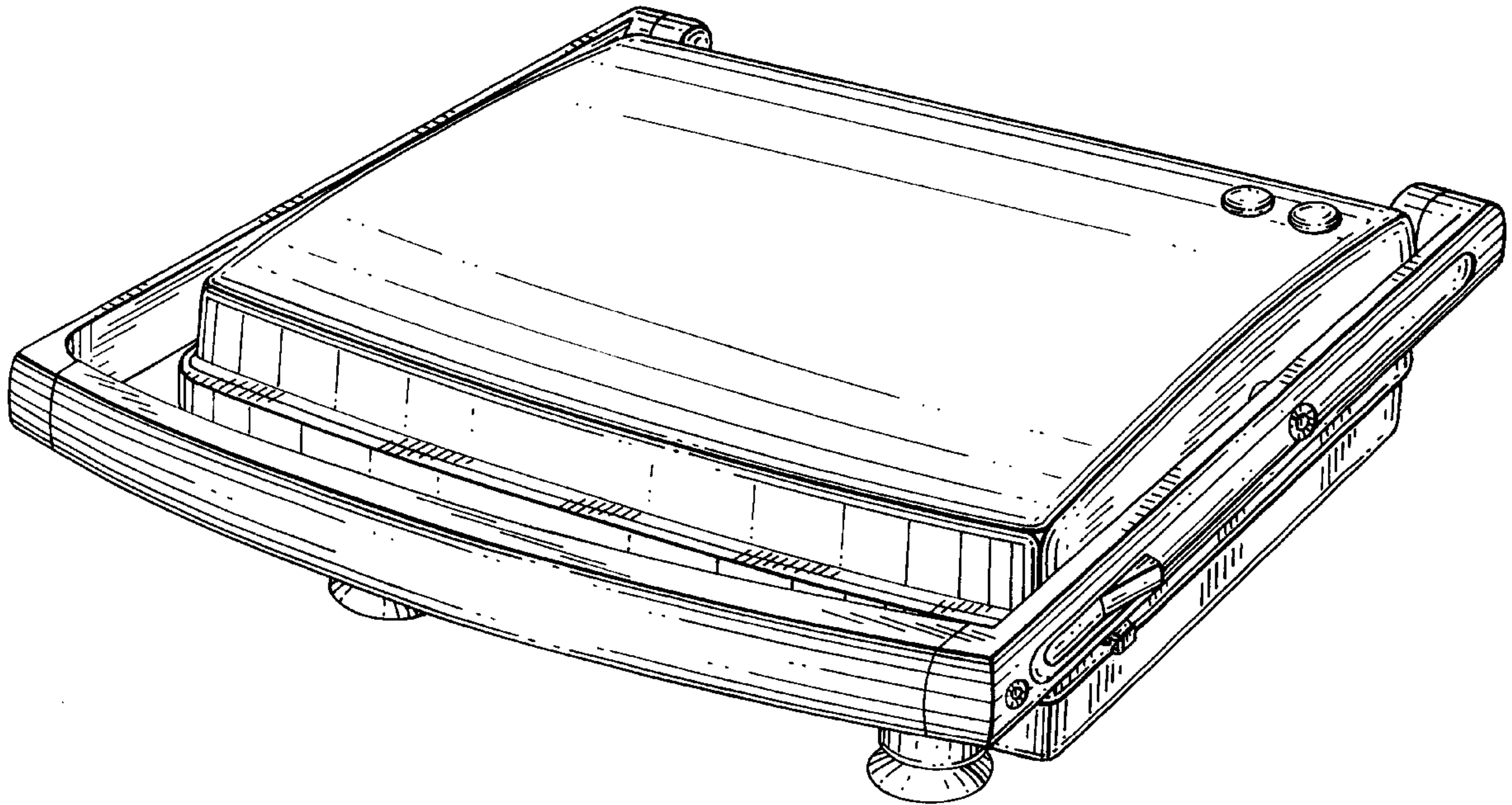
FIG. 4 is a bottom view thereof;

FIG. 5 is a left side view thereof;

FIG. 6 is a right side view thereof; and,

FIG. 7 is a rear view thereof.

**1 Claim, 7 Drawing Sheets**



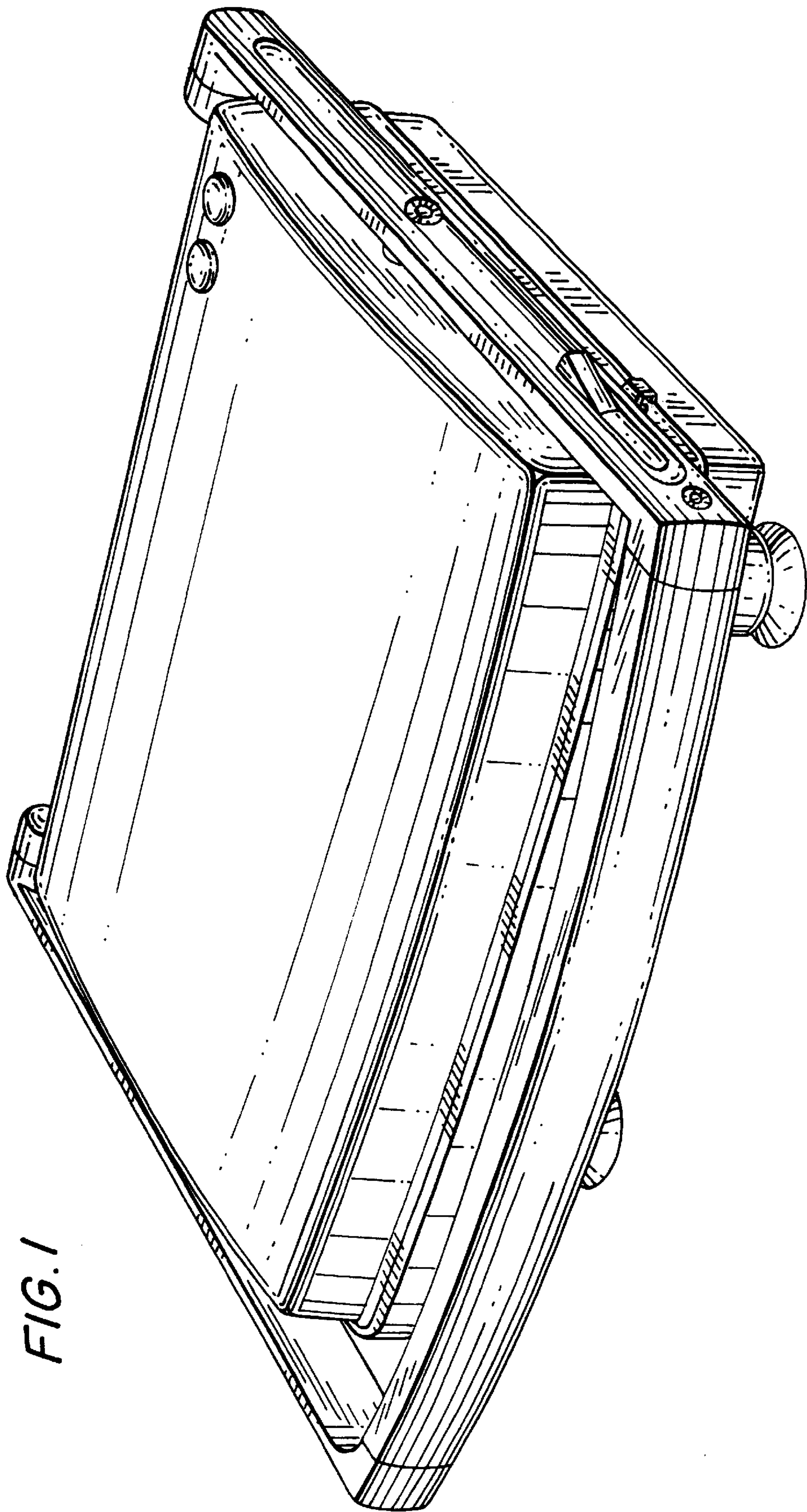


FIG. 1

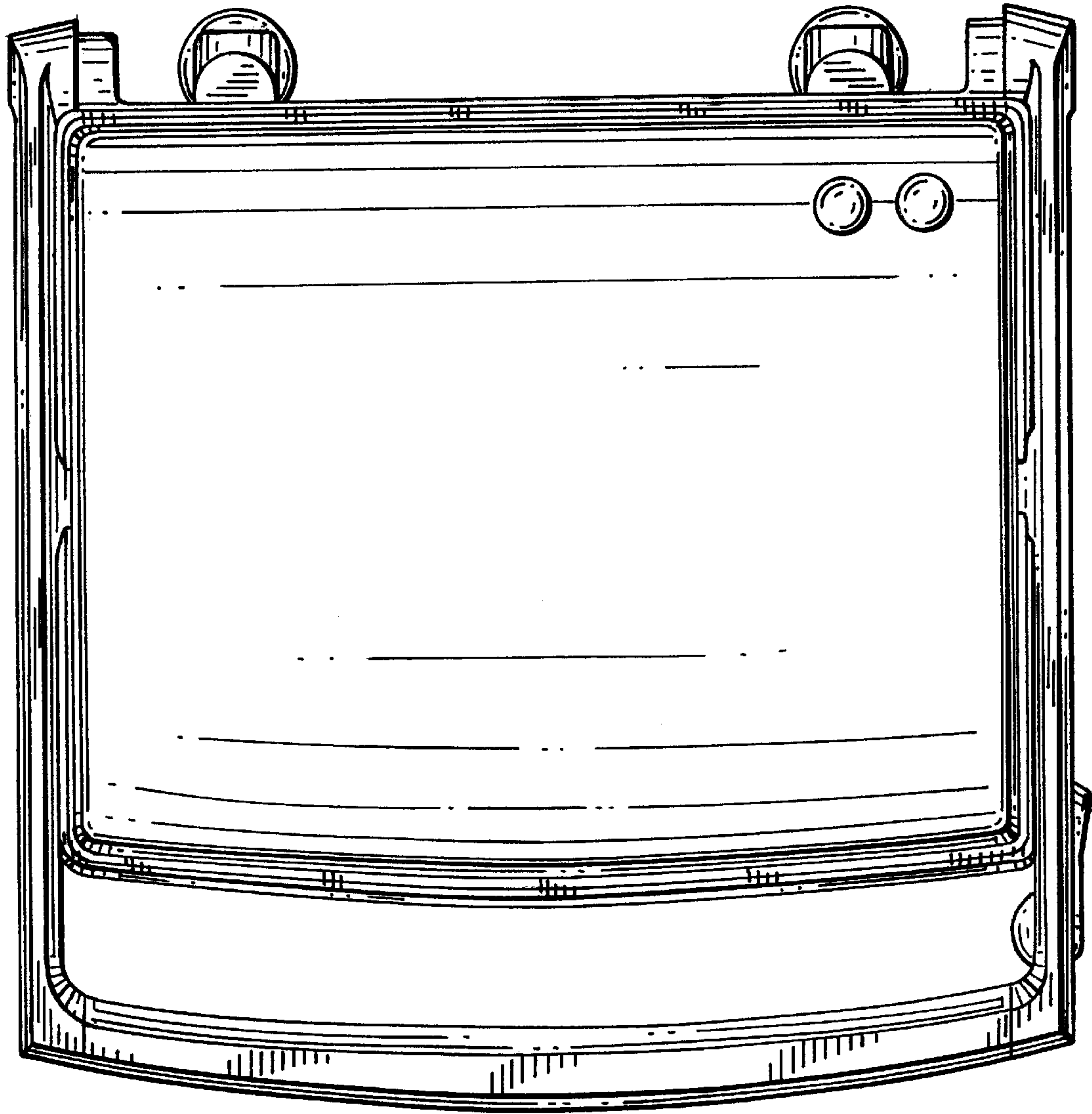


FIG. 2



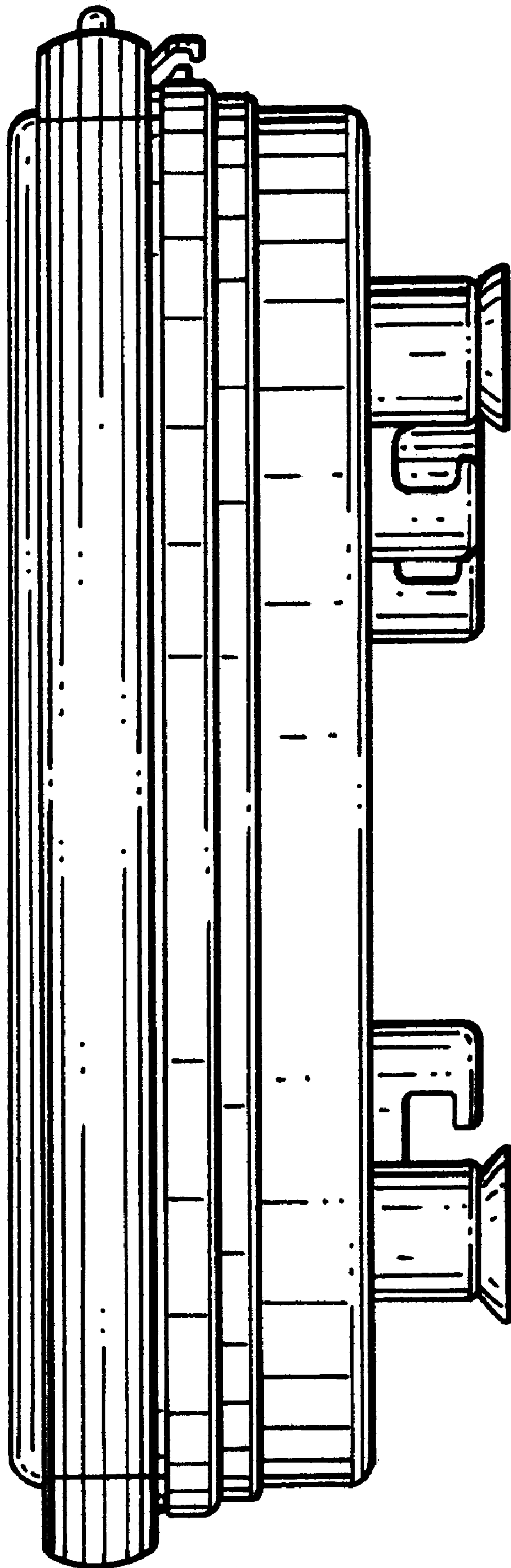


FIG. 3

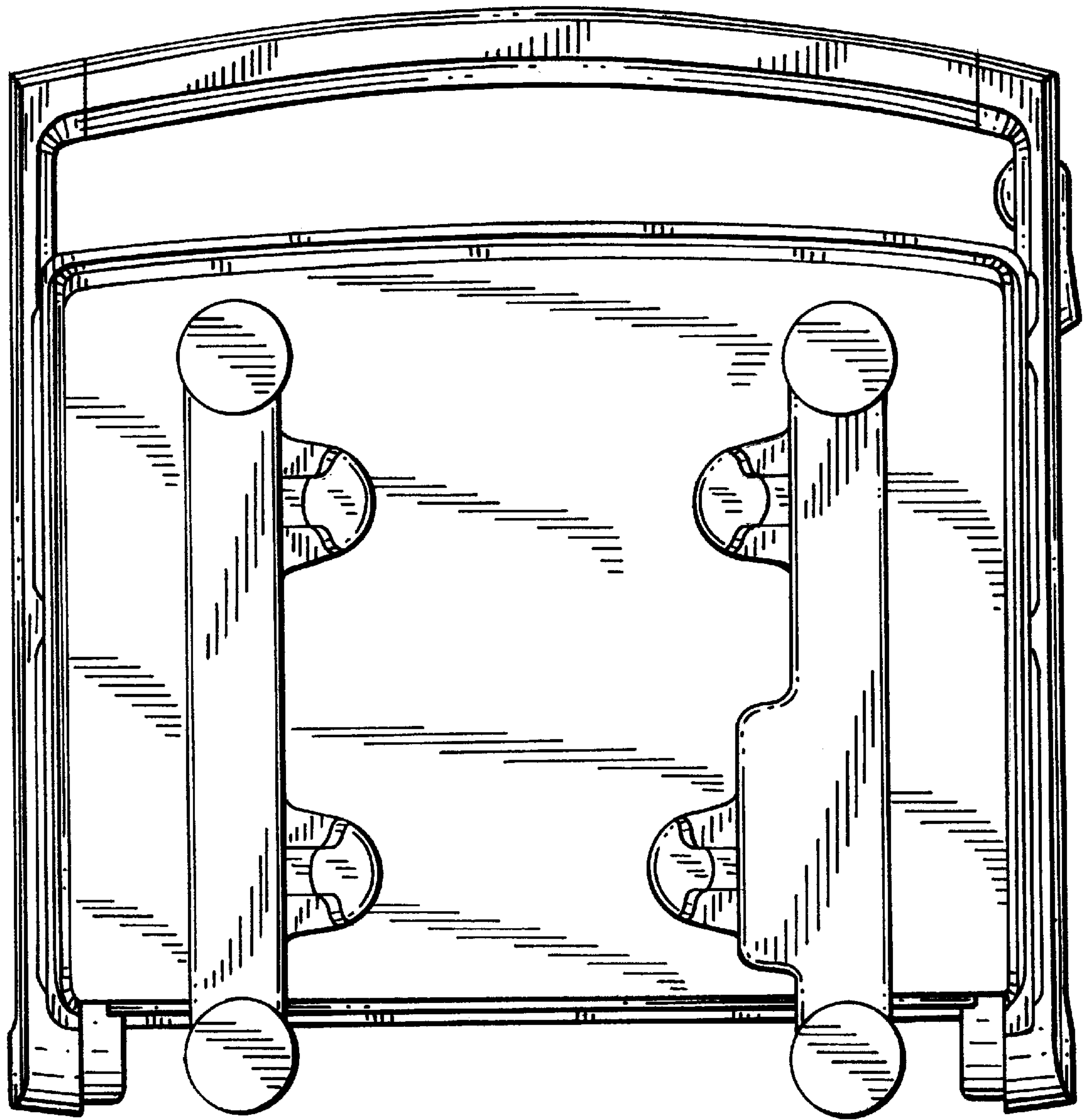
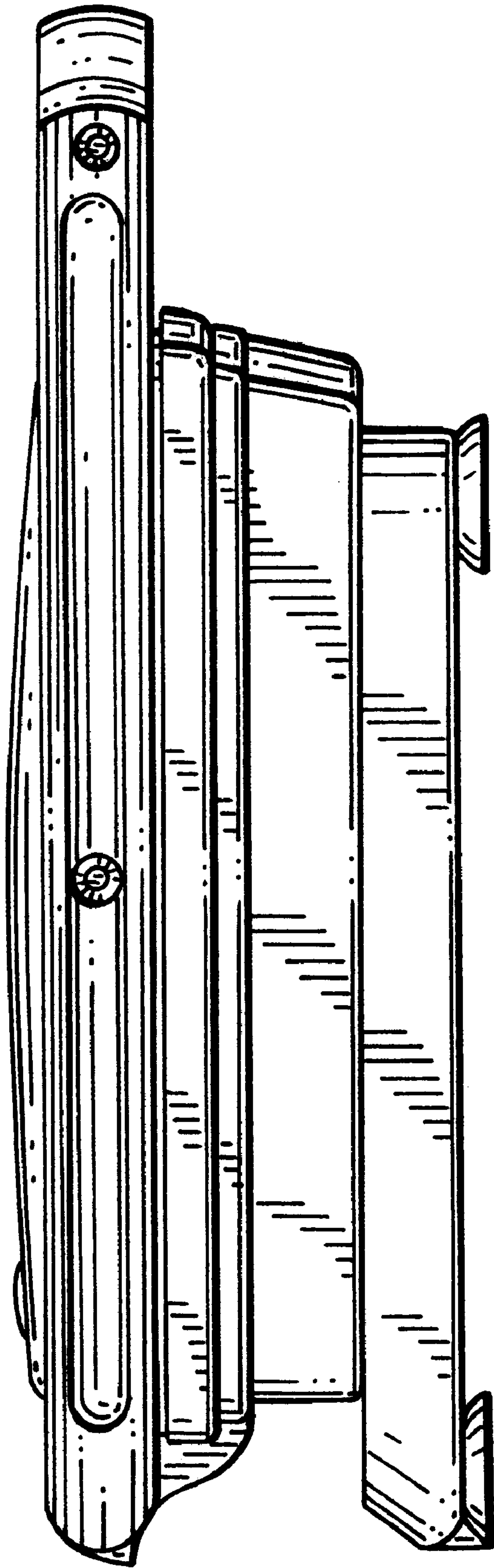


FIG. 4



*FIG. 5*

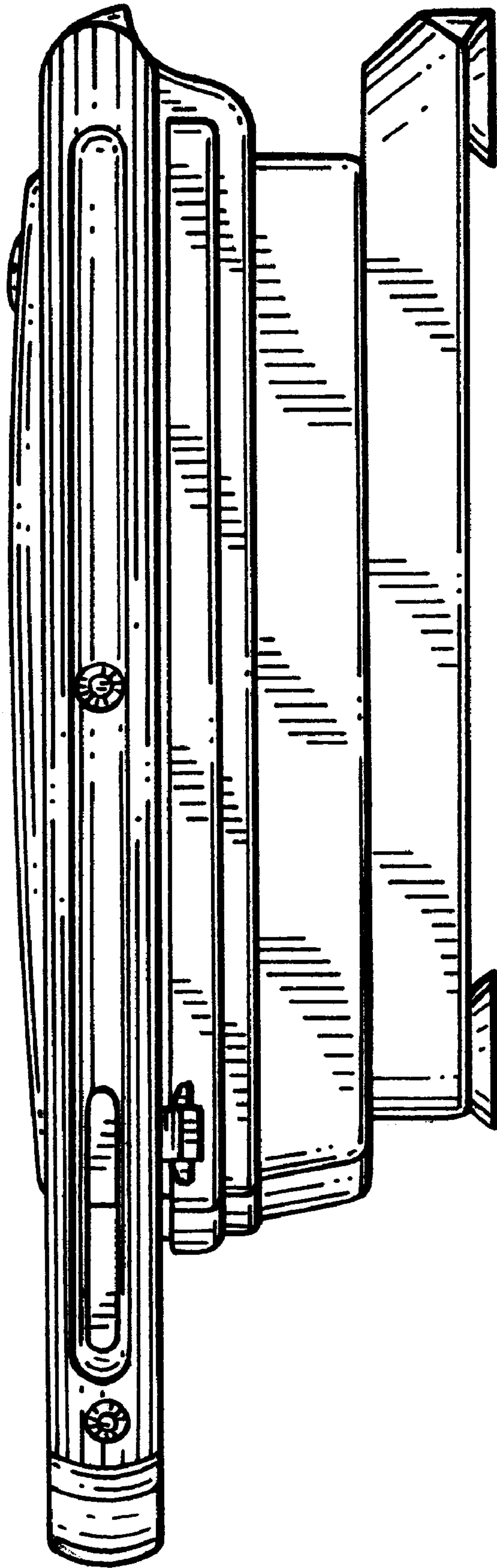


FIG. 6

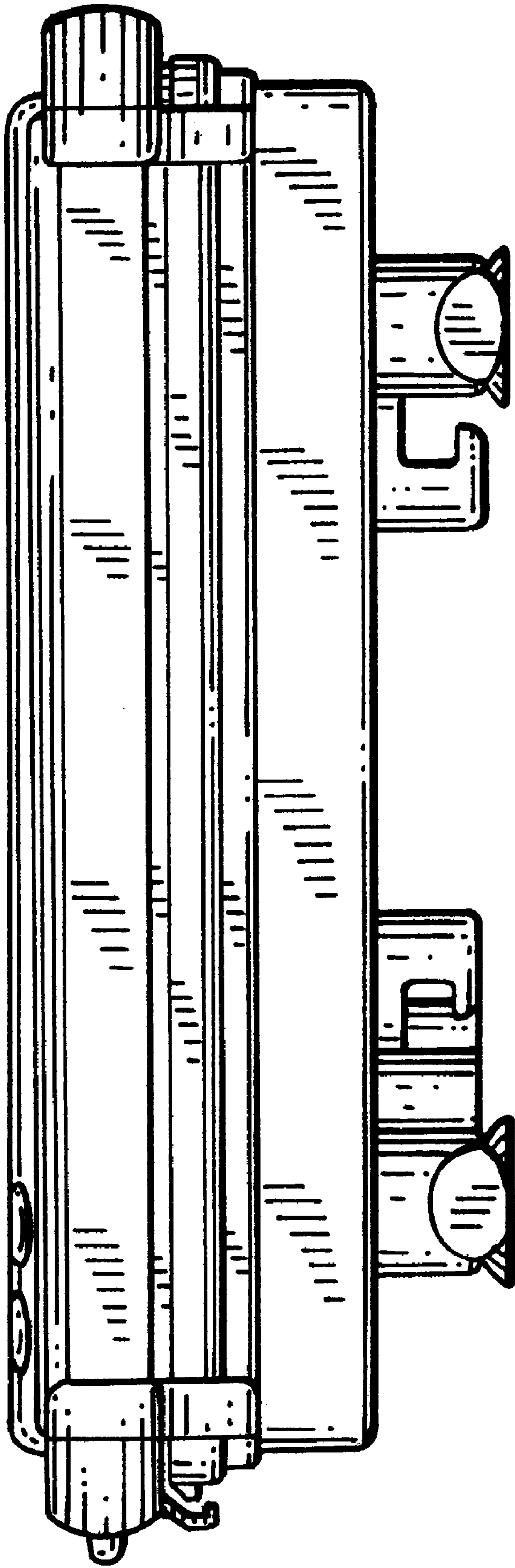


FIG. 7