



US00D452105B1

(12) **United States Design Patent**
Chan

(10) **Patent No.:** **US D452,105 S**

(45) **Date of Patent:** **** Dec. 18, 2001**

(54) **DVD HOLDER**

(75) **Inventor:** **Man Wai Chan, Kowloon (CN)**

(73) **Assignee:** **Meco International Sources Ltd.,
Kowloon (CN)**

(**) **Term:** **14 Years**

(21) **Appl. No.:** **29/139,272**

(22) **Filed:** **Mar. 27, 2001**

(51) **LOC (7) Cl.** **06-04**

(52) **U.S. Cl.** **D6/635; D6/632; D6/634;
D6/407**

(58) **Field of Search** **D3/201; D6/407,
D6/408, 626-635; D14/475, 478, 479, 496;
206/232, 307.1, 308.1, 308.3, 309, 311,
312, 313, 387.13, 396, 397, 398, 408, 459.1;
369/37, 75.2, 291; 379/355**

(56) **References Cited**

U.S. PATENT DOCUMENTS

D. 347,320	*	5/1994	Corday	D6/634
D. 411,071	*	6/1999	Cerda-Vicedo	D6/632
D. 414,646	*	10/1999	Ouguergouz	D6/634
D. 420,240	*	2/2000	Sorenson et al.	D6/632
D. 437,171	*	2/2001	Cuadrado-Serena	D6/632
D. 437,520	*	2/2001	Choi	D6/632
5,400,902	*	3/1995	Kaminski	206/310
5,526,926	*	6/1996	Deja	206/308.1
5,626,225	*	5/1997	Joyce, Jr.	206/308.1
5,772,021	*	6/1998	Bolenbaugh et al.	206/310

5,896,985	*	4/1999	Nakasuji	206/308.2
5,944,181	*	8/1999	Lau	206/308.1
5,996,788	*	12/1999	Belden, Jr. et al.	206/310
6,016,909	*	1/2000	Chang	206/310
6,116,417	*	9/2000	Yoshinaga et al.	206/310
6,155,417	*	12/2000	Flores, Jr. et al.	206/308.1
6,196,384	*	3/2001	Belden, Jr.	206/308.1
6,227,362	*	5/2001	Cheung	206/308.1
6,237,763	*	5/2001	Lau	206/308.1

* cited by examiner

Primary Examiner—Celia Murphy

(74) *Attorney, Agent, or Firm*—Alix, Yale & Ristas, LLP

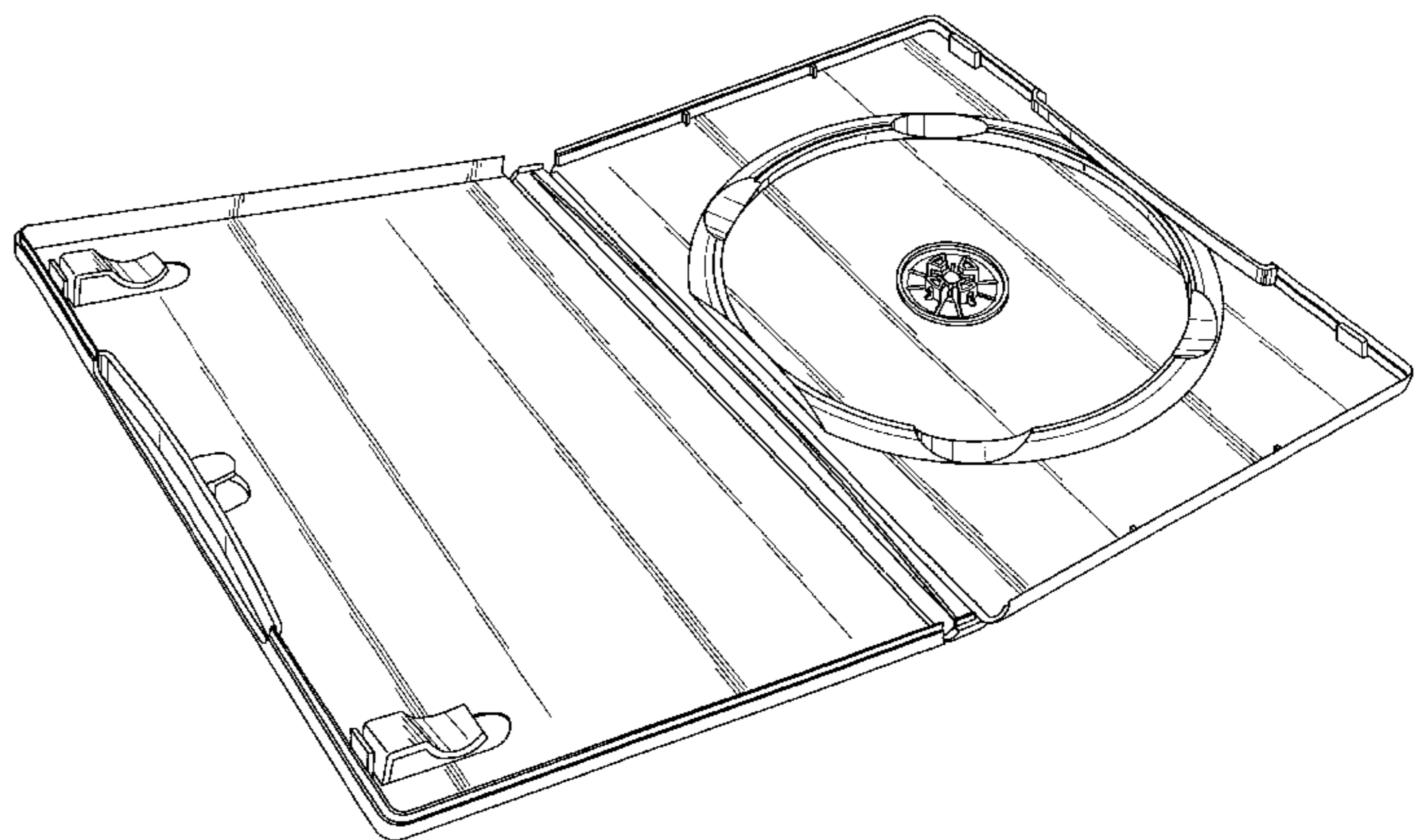
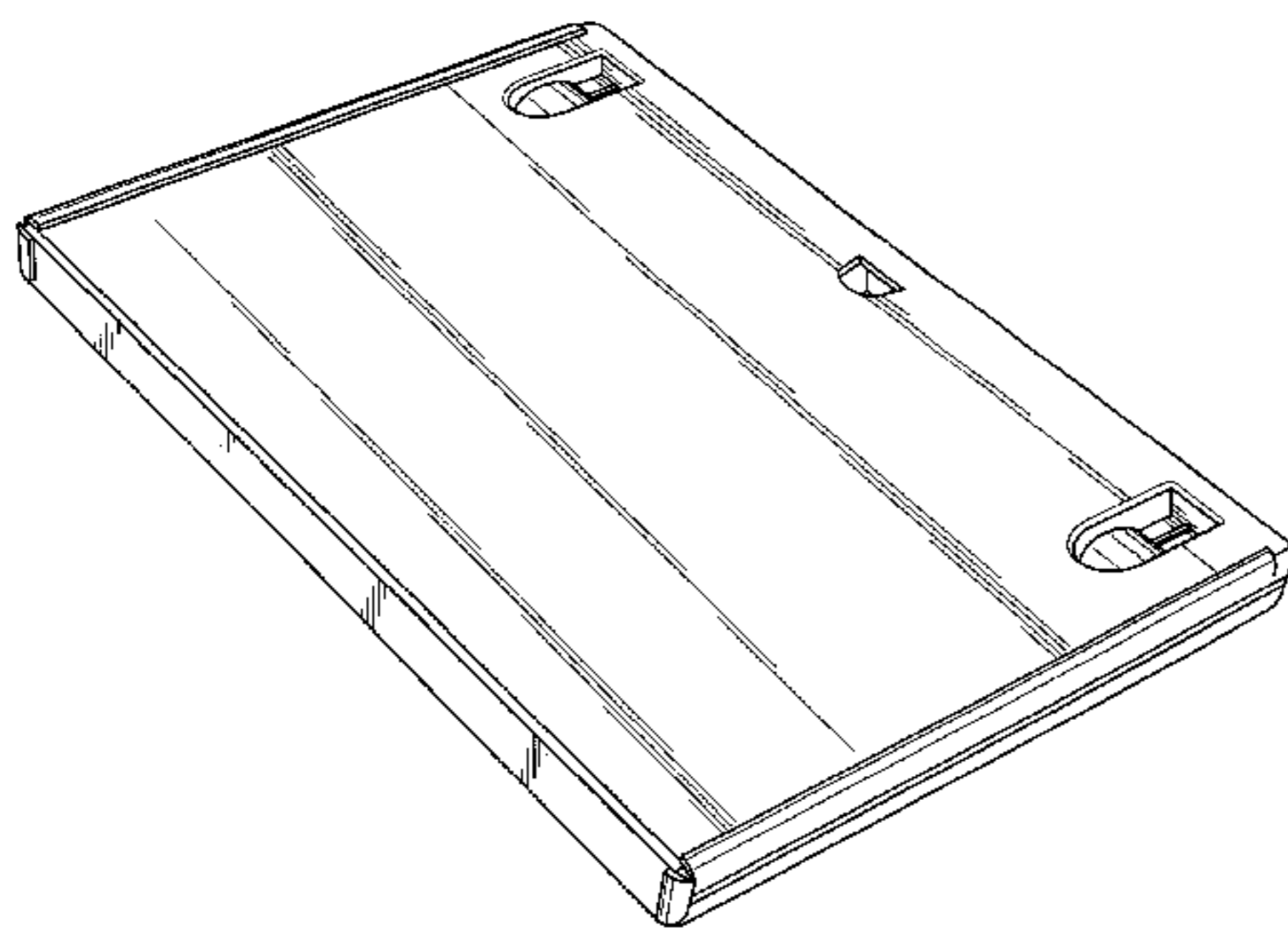
(57) **CLAIM**

The ornamental design for a DVD holder, as shown and described.

DESCRIPTION

FIG. 1 is a front perspective view of the DVD holder showing my new design;
 FIG. 2 is a front perspective view in an opened position of the DVD holder of FIG. 1;
 FIG. 3 is a front view of the DVD holder of FIG. 1;
 FIG. 4 is a top plan view of the DVD holder of FIG. 1;
 FIG. 5 is a rear view of the DVD holder of FIG. 1;
 FIG. 6 is a bottom plan view of the DVD holder of FIG. 1;
 FIG. 7 is a left side view of the DVD holder of FIG. 1.
 FIG. 8 is a right side view of the DVD holder of FIG. 1; and,
 FIG. 9 is an enlarged fragmentary view of the central hub shown in FIG. 2.

1 Claim, 6 Drawing Sheets



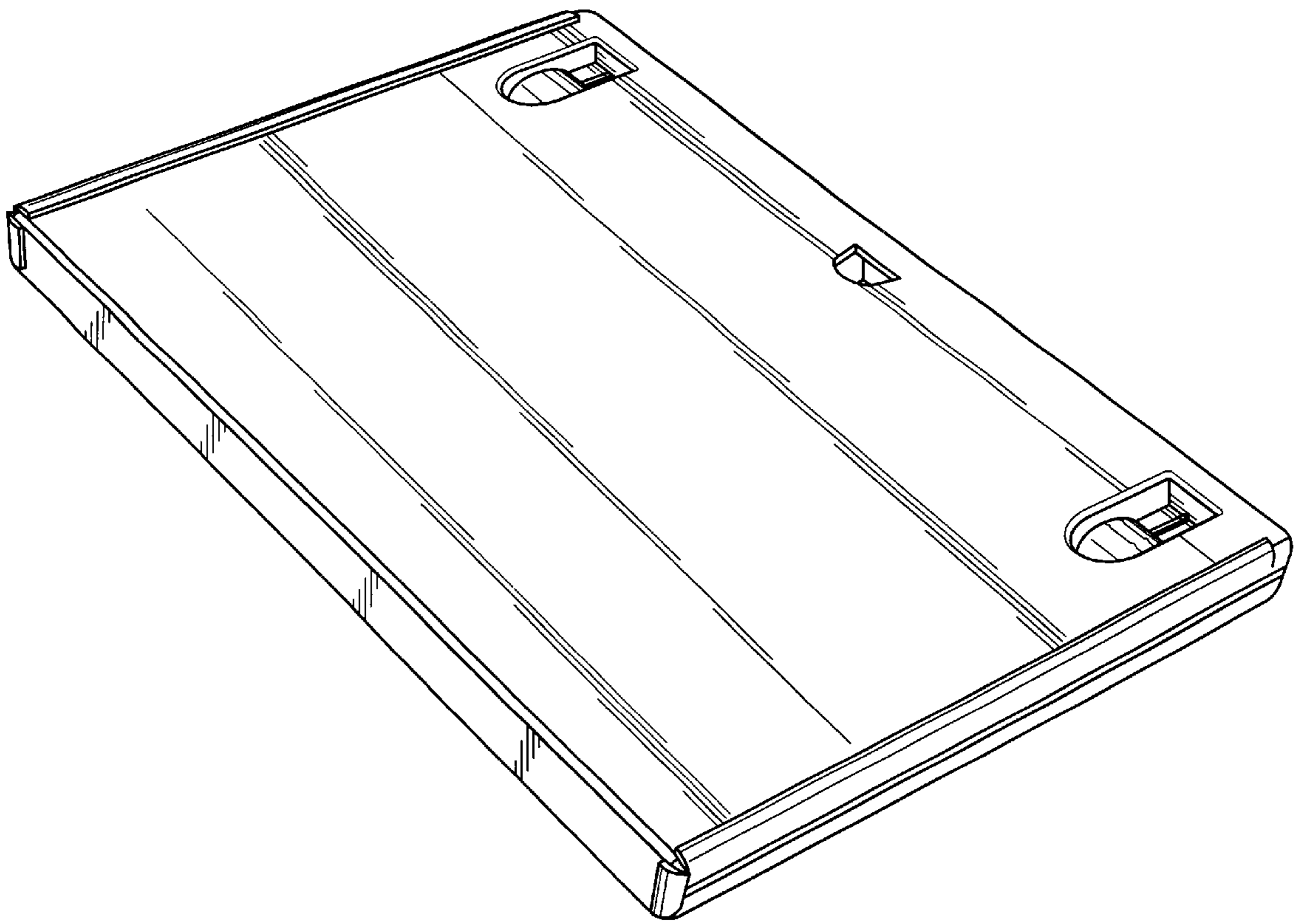


FIG. 1

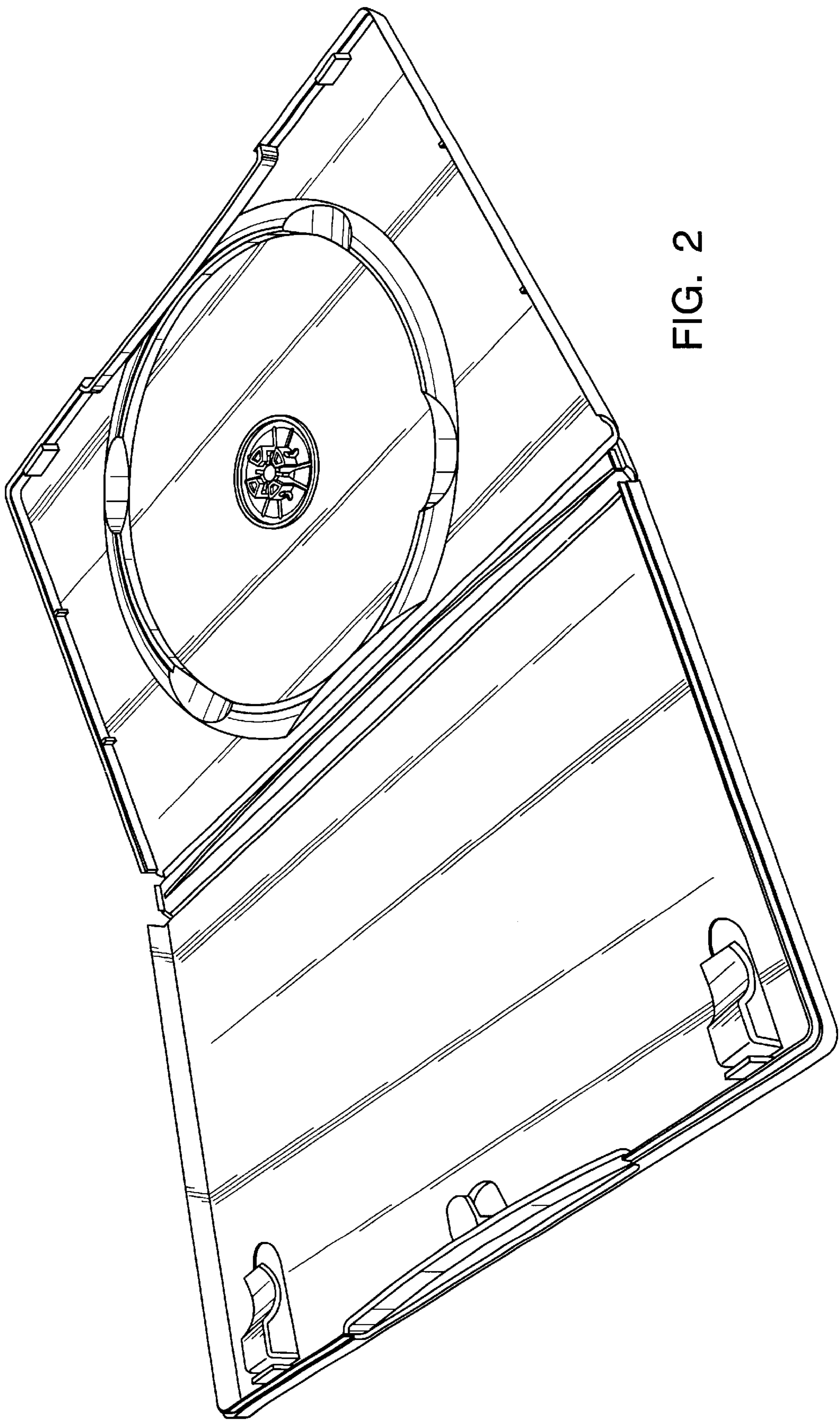


FIG. 2

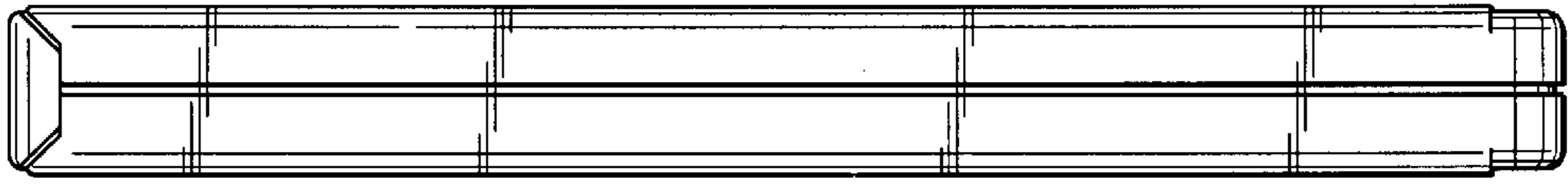


FIG. 4

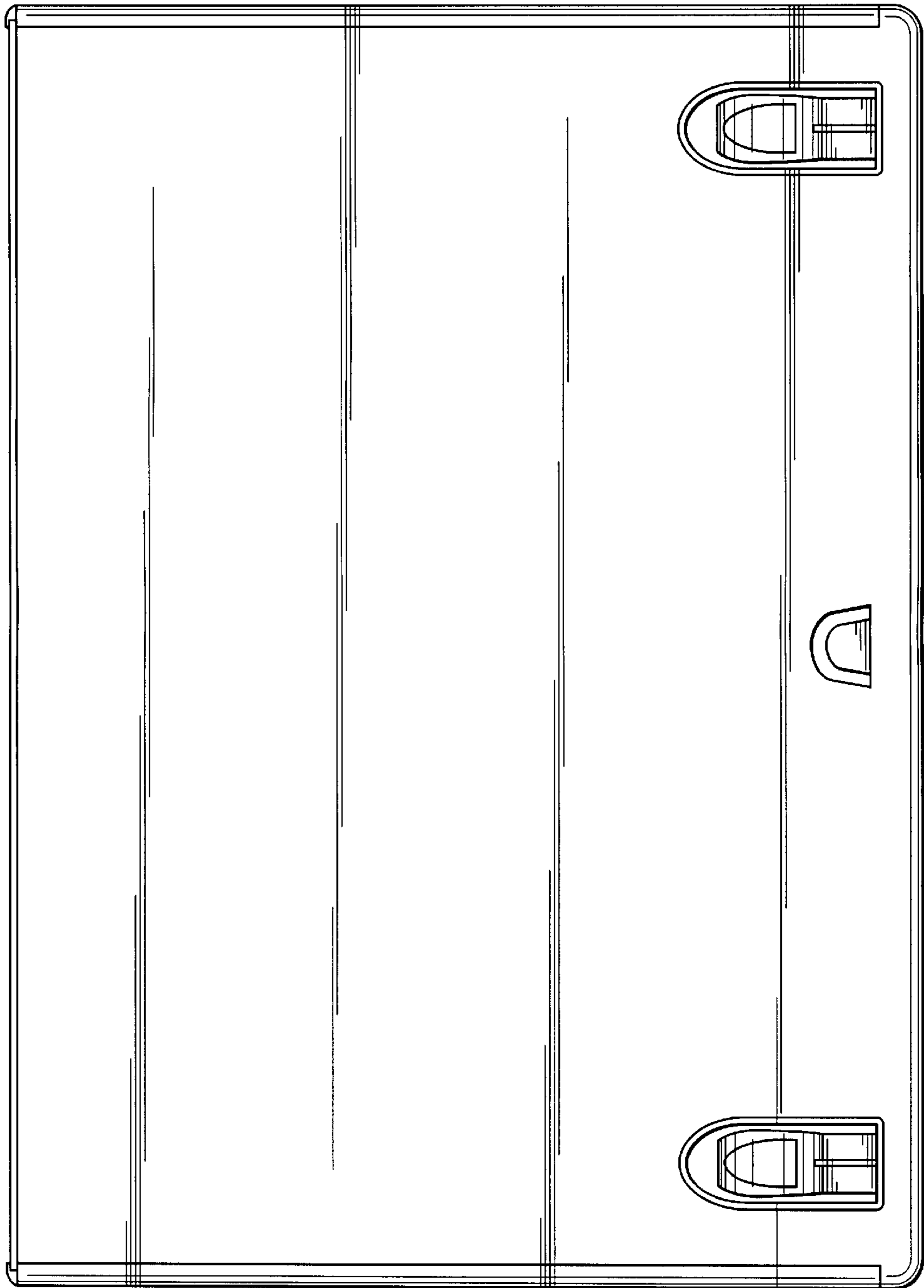


FIG. 3

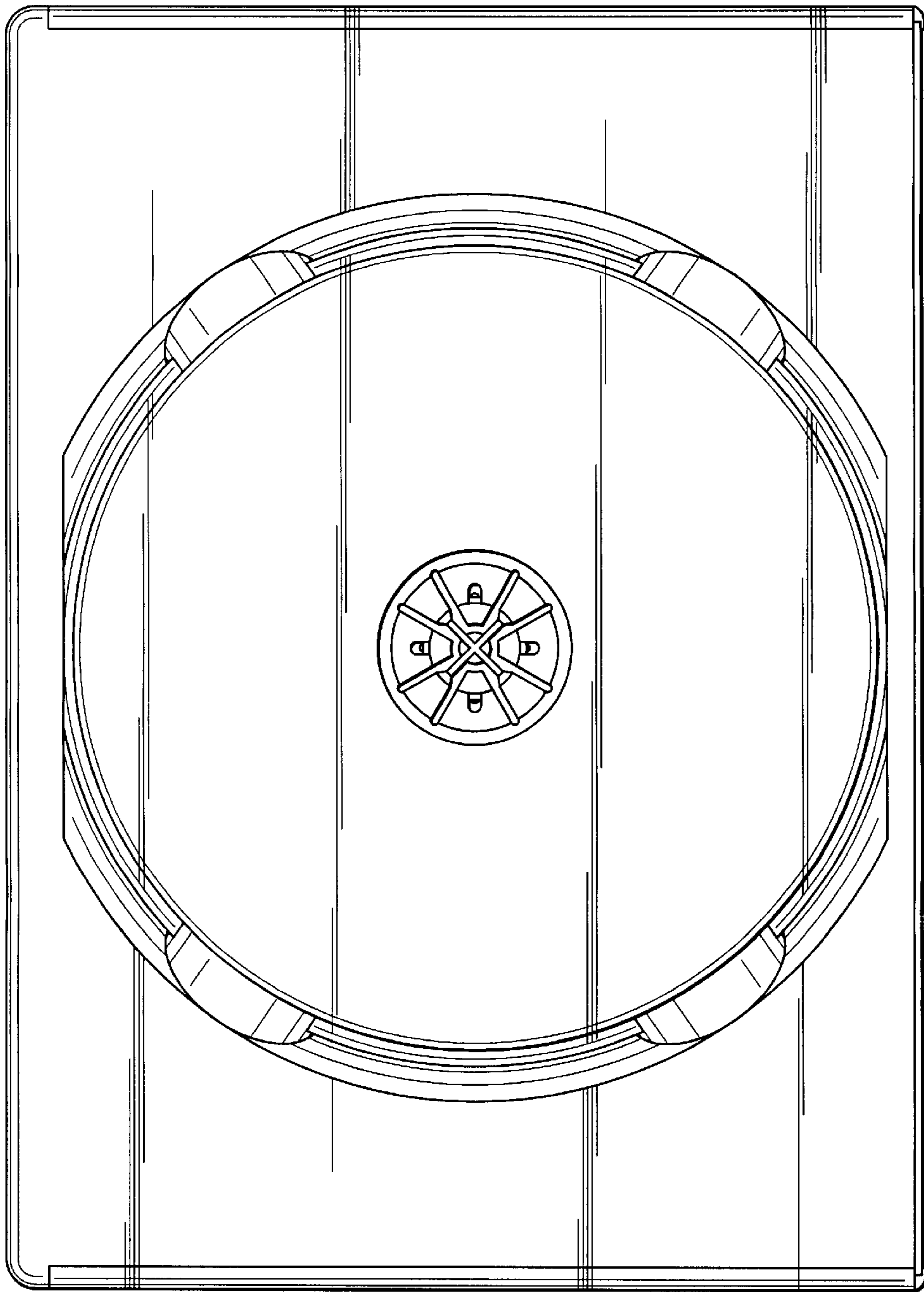


FIG. 5

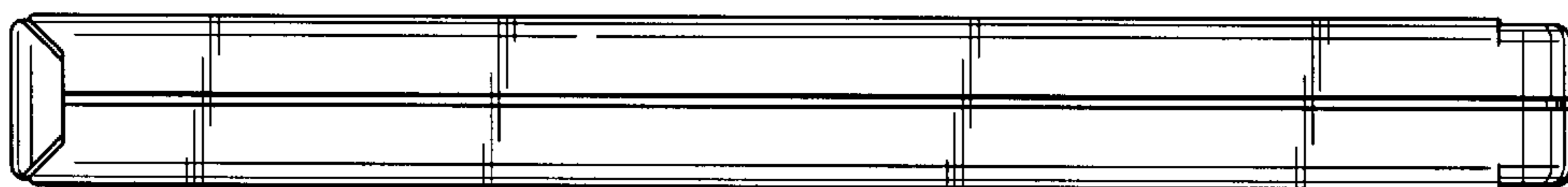


FIG. 6

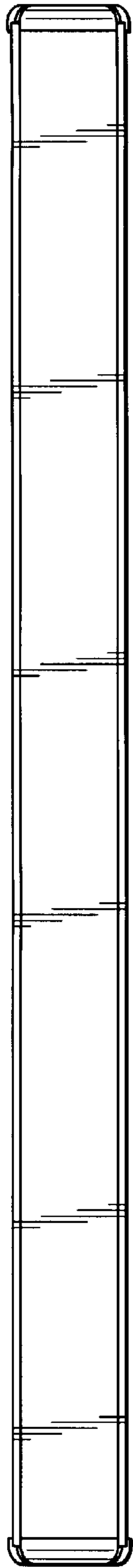


FIG. 7

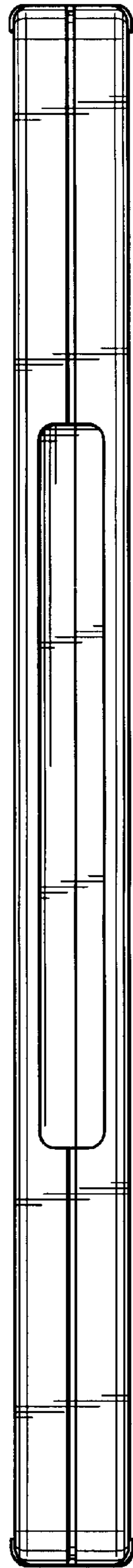


FIG. 8

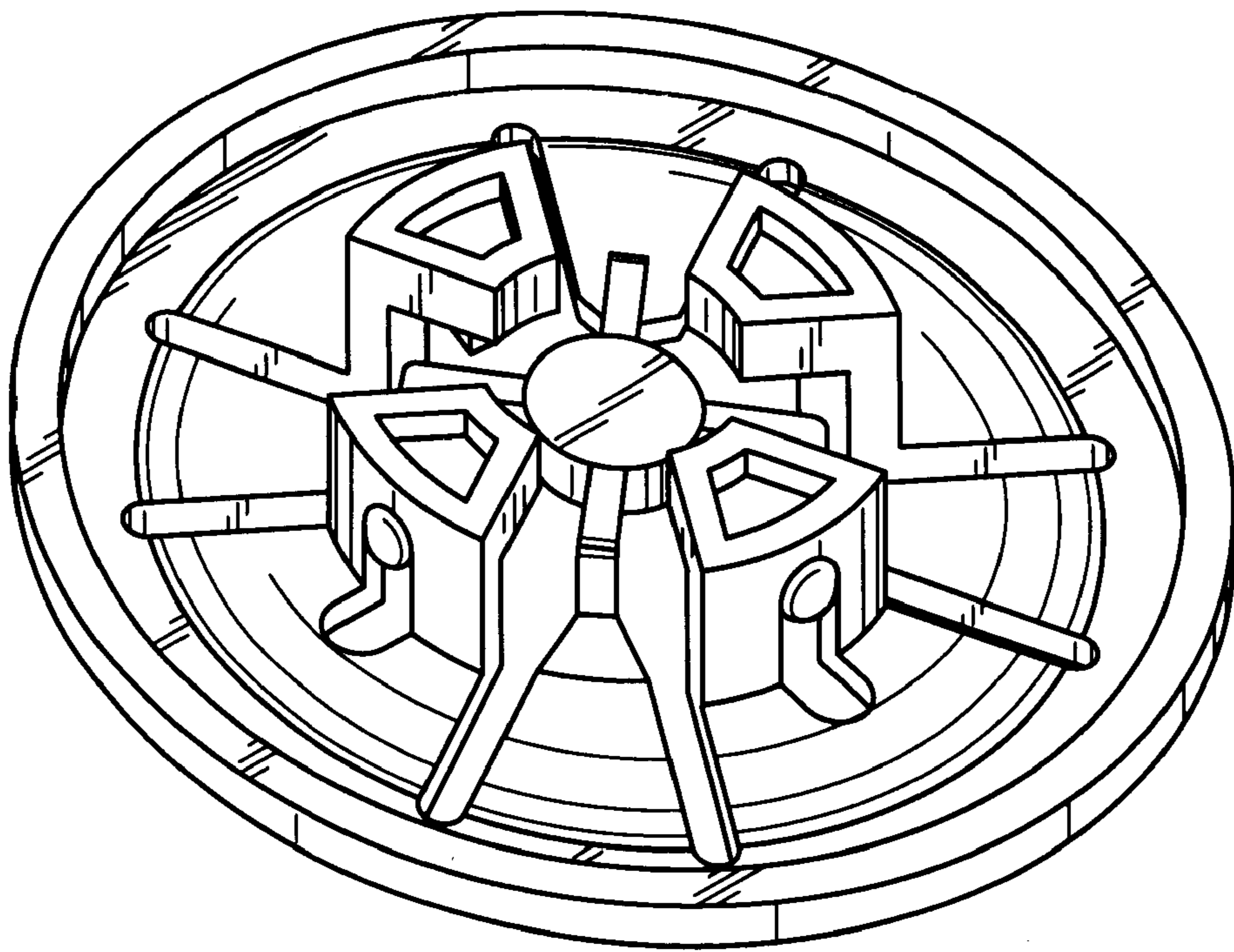


FIG. 9