



US00D452104B1

(12) **United States Design Patent**
Tang

(10) **Patent No.:** **US D452,104 S**

(45) **Date of Patent:** **** Dec. 18, 2001**

(54) **DISK HOLDER**

(75) **Inventor:** **Kam Sau Tang**, North Point (CN)

(73) **Assignee:** **Triple Keen Industrial Limited**, North Point (CN)

(**) **Term:** **14 Years**

(21) **Appl. No.:** **29/132,327**

(22) **Filed:** **Nov. 7, 2000**

(51) **LOC (7) Cl.** **06-04**

(52) **U.S. Cl.** **D6/632; D6/407; D6/634; D6/635**

(58) **Field of Search** D3/201; D6/407, D6/408, 626-635; D14/475, 478, 479, 496; 206/232, 307.1, 308.1, 308.3, 309, 311, 312, 313, 387.13, 396, 397, 398, 408, 459.1; 369/37, 37.2, 291; 379/355

(56) **References Cited**

U.S. PATENT DOCUMENTS

- D. 347,320 * 5/1994 Corday D6/634
- D. 347,728 * 6/1994 Taniyama D6/634
- D. 411,071 * 6/1999 Cerda-Vicedo D6/632
- D. 419,359 * 1/2000 Eguchi et al. D6/634
- D. 420,240 * 2/2000 Sorenson et al. D6/632
- D. 433,266 * 11/2000 Peterson et al. D6/634
- D. 437,171 * 2/2001 Cuadrado-Serena D6/632
- D. 437,520 * 2/2001 Choi D6/632
- 5,366,073 * 11/1994 Turrentine et al. 206/309
- 5,769,217 * 6/1998 Derraugh et al. 206/308.1

- 5,788,068 * 8/1998 Fraser et al. 206/310
- 5,887,713 * 3/1999 Smith et al. 206/308.1
- 5,896,985 * 4/1999 Nakasuji 206/308.2
- 5,906,274 * 5/1999 McEwan 206/308.1
- 5,944,181 * 8/1999 Lau 206/308.1
- 5,960,949 * 10/1999 Wynalda, Jr. 206/307.1
- 5,988,375 * 11/1999 Chang 206/308.1
- 5,996,788 * 12/1999 Belden, Jr. et al. 206/310
- 6,085,900 * 7/2000 Wong 206/308.1
- 6,155,417 * 12/2000 Flores, Jr. et al. 206/308.1
- 6,227,362 * 5/2001 Cheung 206/308.1
- 6,237,763 * 5/2001 Lau 206/308.1

* cited by examiner

Primary Examiner—Celia Murphy

(74) *Attorney, Agent, or Firm*—Alix, Yale & Ristas, LLP

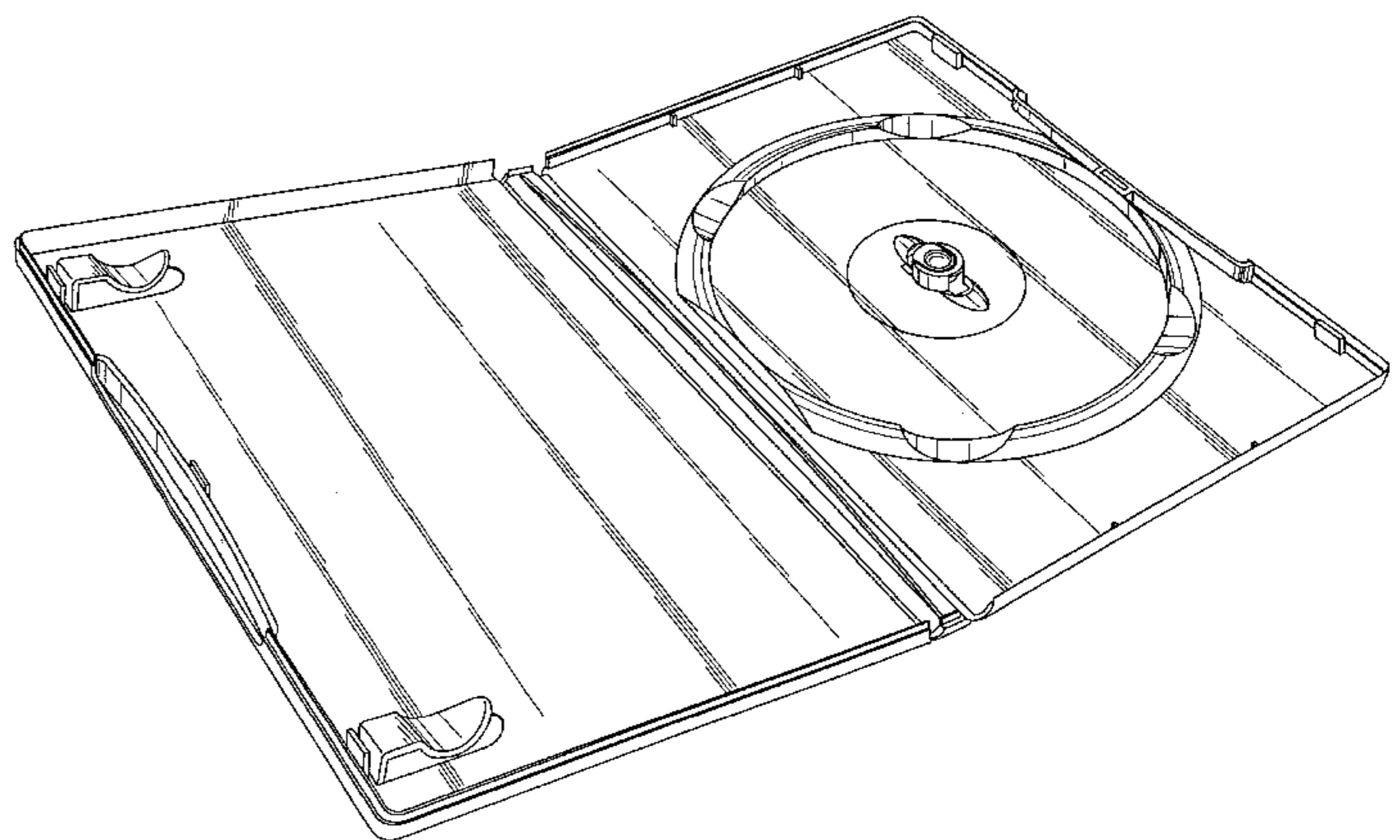
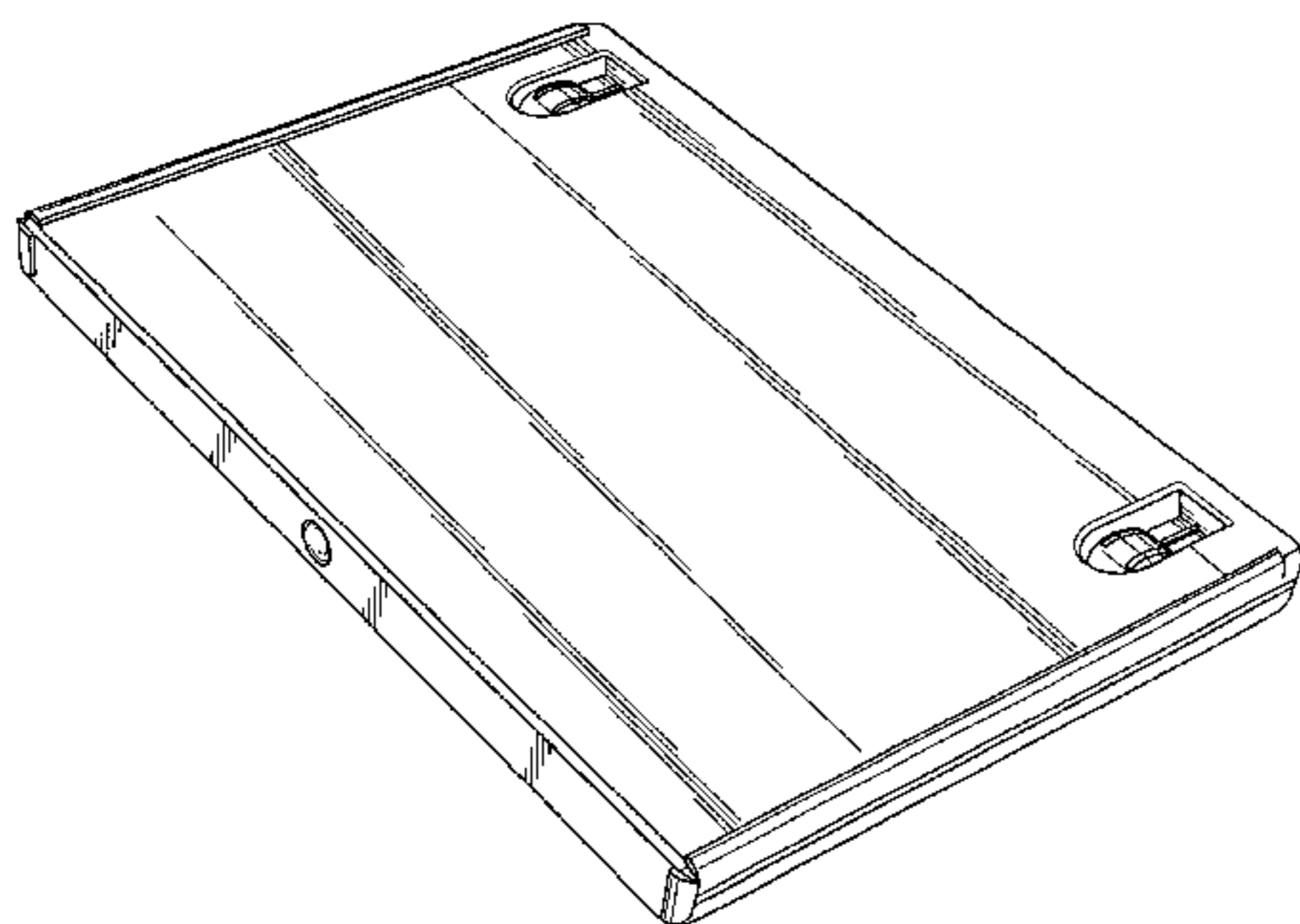
(57) **CLAIM**

The ornamental design for a disk holder, as shown and described.

DESCRIPTION

FIG. 1 is a front perspective view of the disk holder showing my new design;
 FIG. 2 is a front perspective view in an opened position of the disk holder of FIG. 1;
 FIG. 3 is an enlarged front elevational view of FIG. 1;
 FIG. 4 is top plan view of FIG. 3;
 FIG. 5 is a rear elevational view of FIG. 3;
 FIG. 6 is a bottom plan view of FIG. 3;
 FIG. 7 is a left side elevational view of FIG. 3; and,
 FIG. 8 is a right side elevational view of FIG. 3.

1 Claim, 5 Drawing Sheets



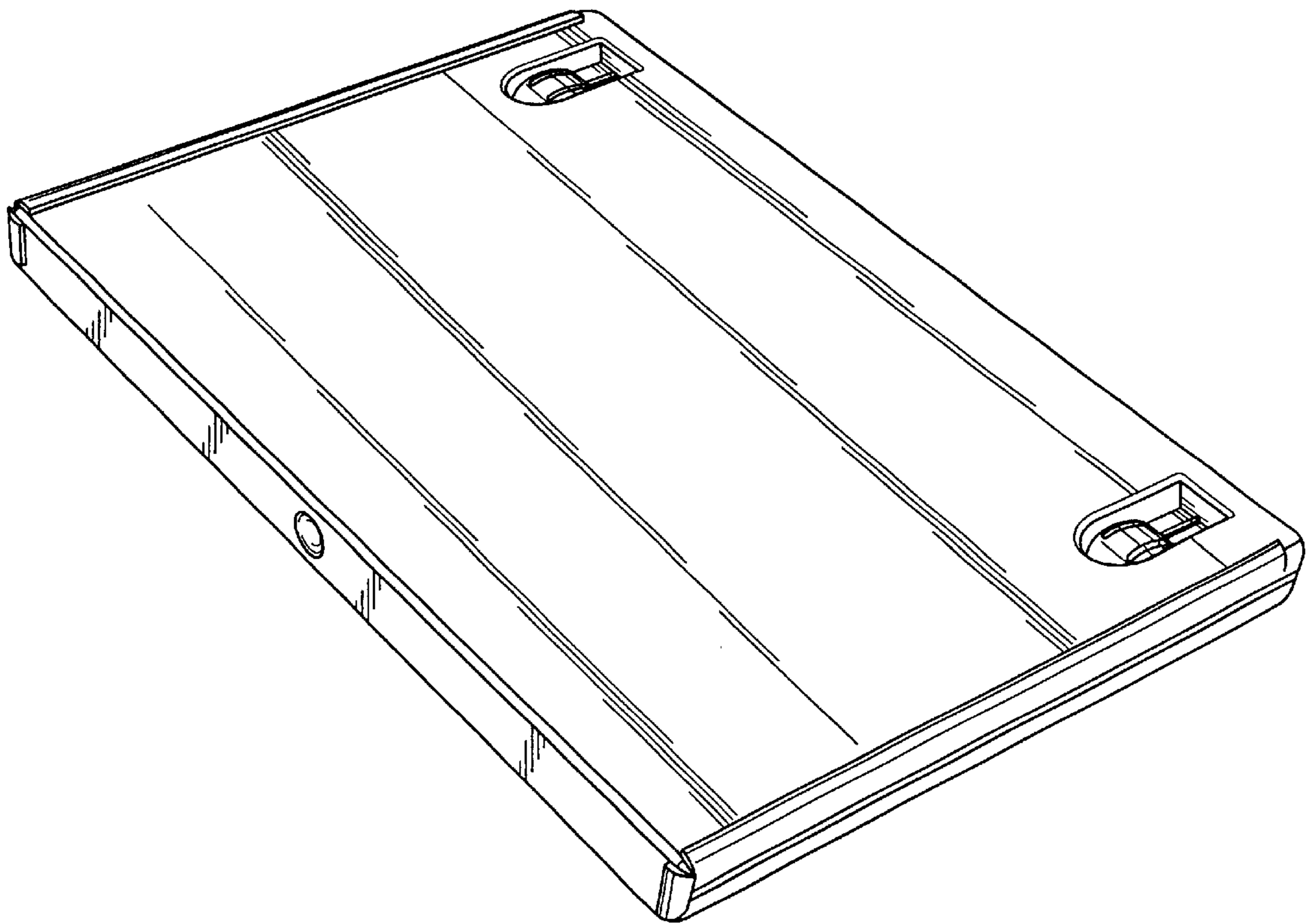


FIG. 1

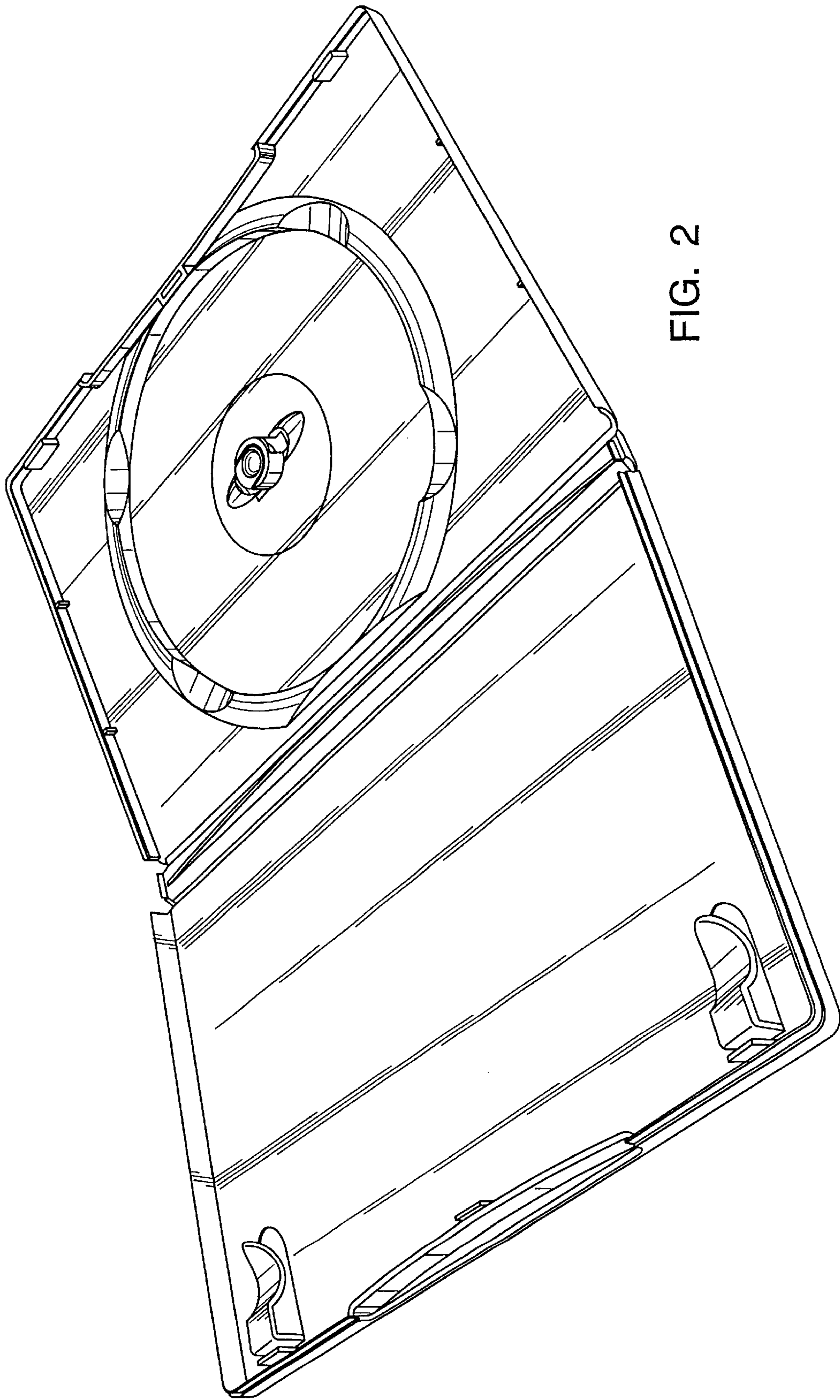


FIG. 2

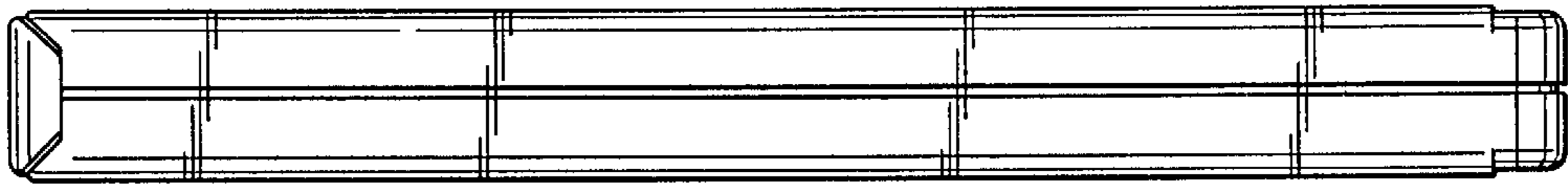


FIG. 4

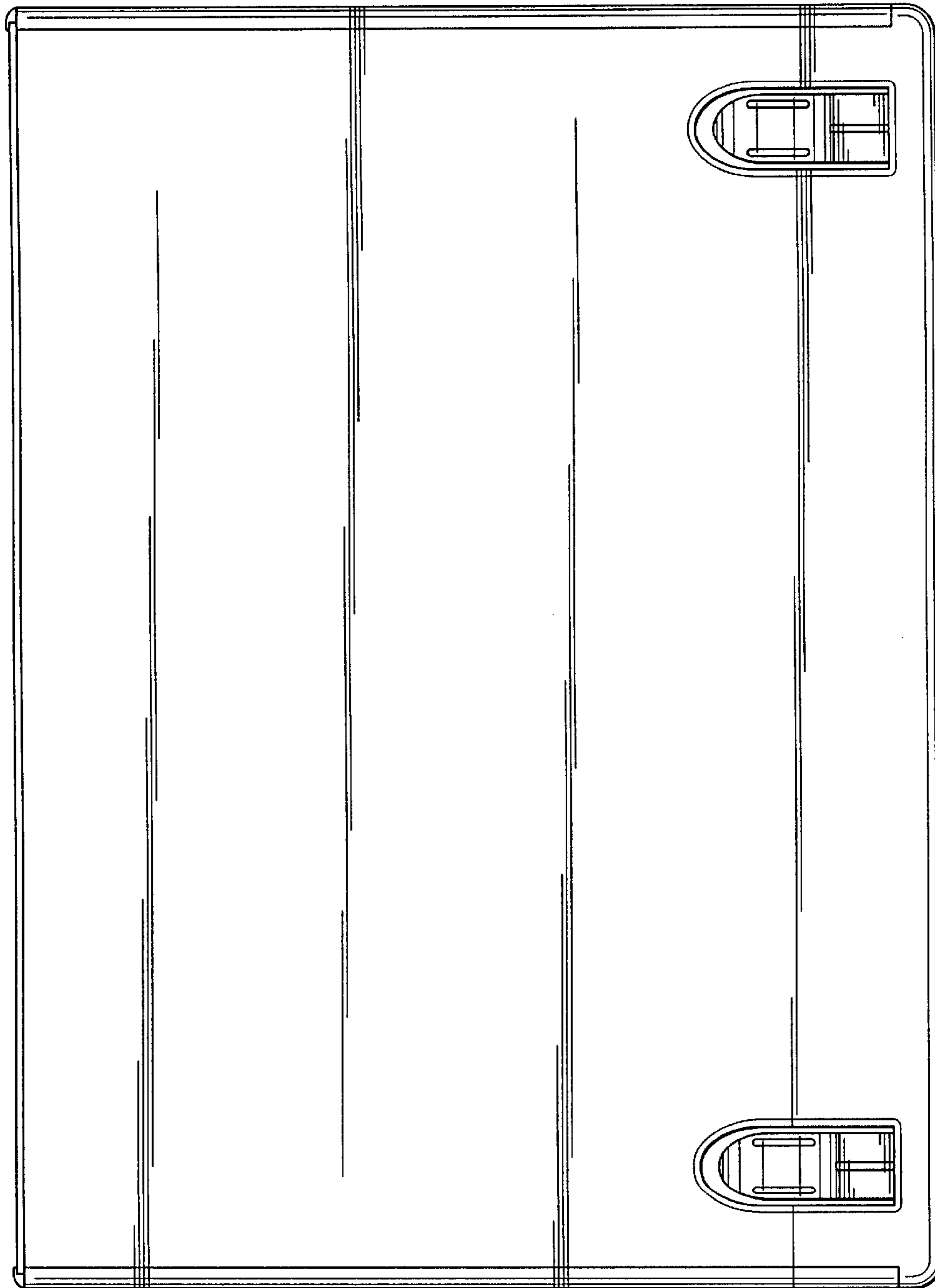


FIG. 3

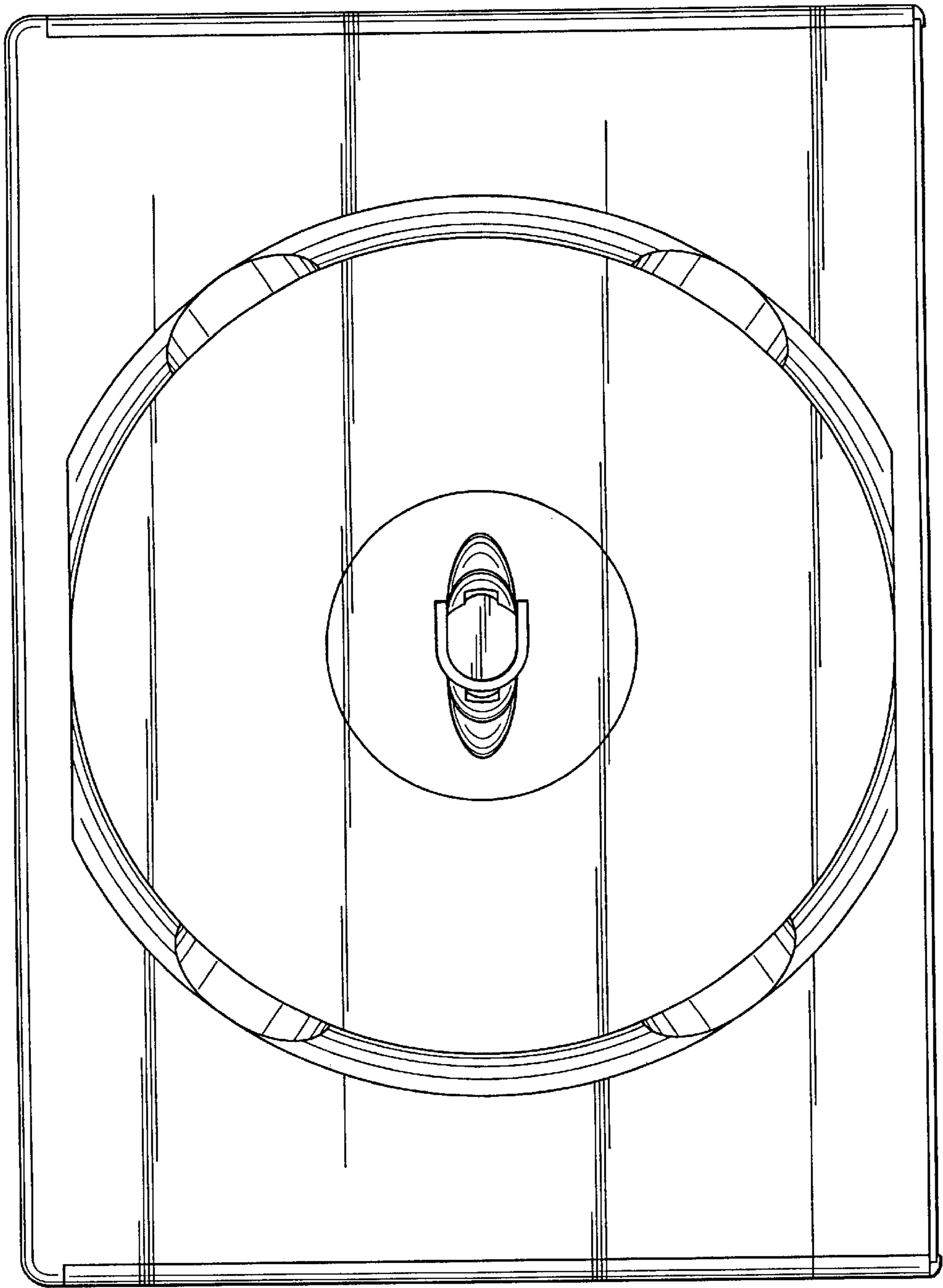


FIG. 5

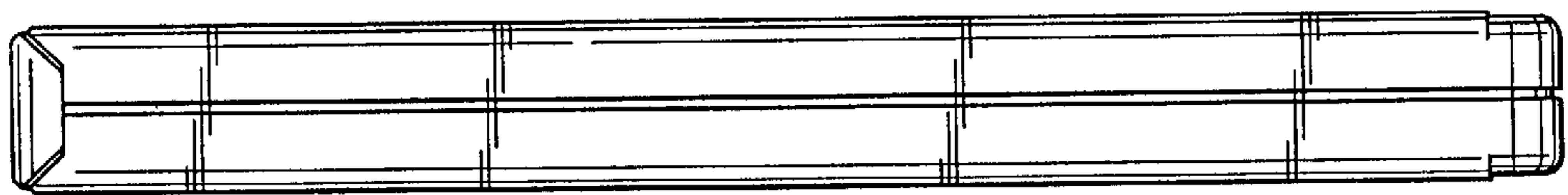


FIG. 6

FIG. 7

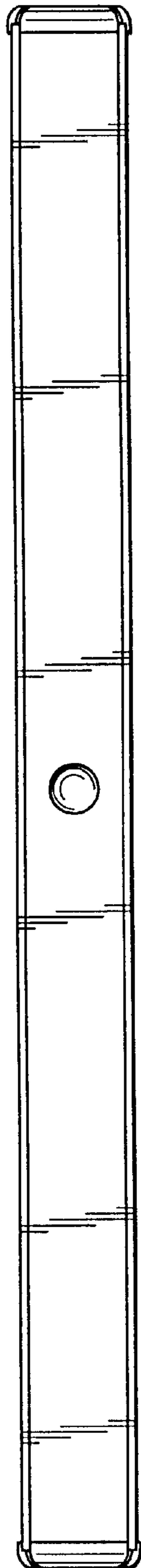


FIG. 8

