



US00D452102B1

(12) **United States Design Patent**
Yeh

(10) **Patent No.:** **US D452,102 S**

(45) **Date of Patent:** **** Dec. 18, 2001**

(54) **TOWEL BAR SUPPORT**

(76) **Inventor:** **Hsien-Min Yeh**, No. 2, 16 Nong, Lane
169, Sec. 3, Chang-Tsao Road, Ho-Mei
Chen, Chang-Hua Hsien (TW)

(**) **Term:** **14 Years**

(21) **Appl. No.:** **29/138,287**

(22) **Filed:** **Mar. 12, 2001**

(51) **LOC (7) Cl.** **06-04**

(52) **U.S. Cl.** **D6/550**

(58) **Field of Search** D6/546-50, 518,
D6/522-24; D8/300, 315-21, 354, 363,
373, 380; 108/28-29; 211/13.1, 16, 60.1,
86.01, 87.01, 88.04, 100, 105.1-105.2,
123, 181.1, 182; 248/175, 176.1, 251, 302;
16/110.1, 412, 415; 242/570, 590, 595-598;
206/389

(56) **References Cited**

U.S. PATENT DOCUMENTS

- D. 410,193 * 5/1999 Bredemeier D8/363
- D. 430,790 * 9/2000 Kuo D8/363

OTHER PUBLICATIONS

Price Pfister "Matchmakers Bath Accessories" Catalogue p.
11 Support Bracket.*

* cited by examiner

Primary Examiner—Brian N. Vinson
(74) *Attorney, Agent, or Firm*—Dougherty & Troxell

(57) **CLAIM**

The ornamental design for a towel bar support, as shown and described.

DESCRIPTION

FIG. 1 is a front view of a towel bar support showing my new design;

FIG. 2 is a rear view thereof;

FIG. 3 is a left view thereof;

FIG. 4 is a right view thereof;

FIG. 5 is a top view thereof;

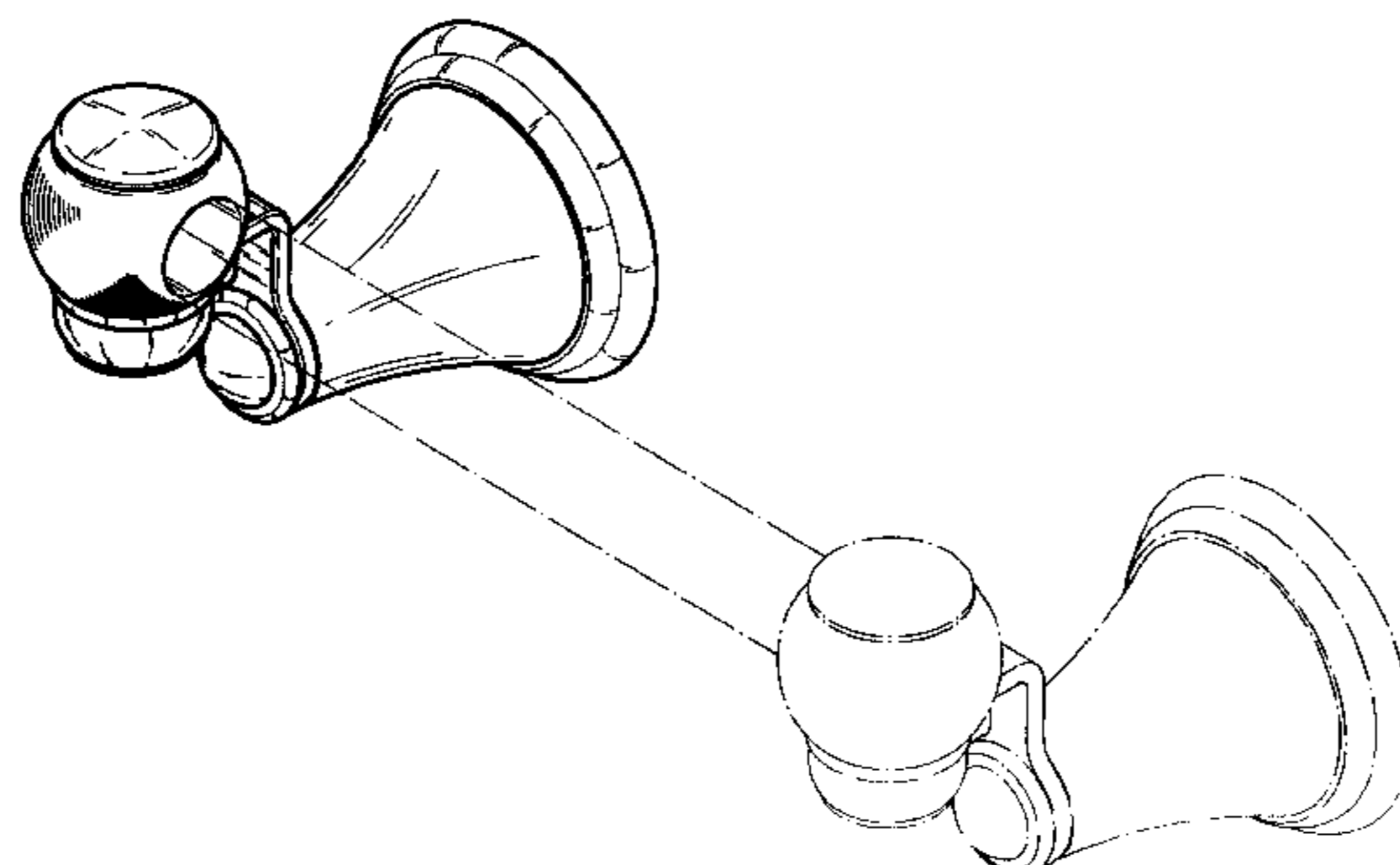
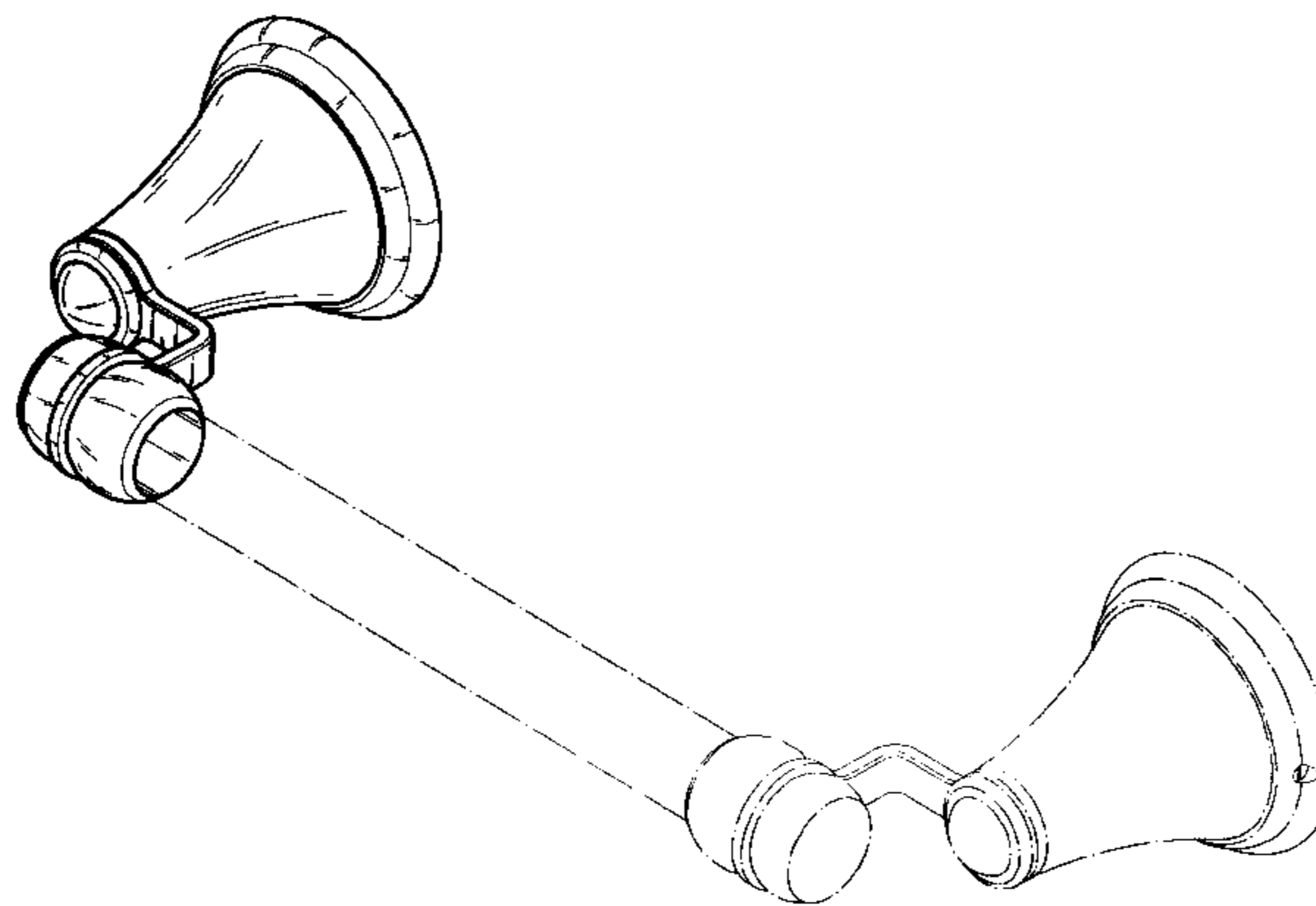
FIG. 6 is a bottom view thereof;

FIG. 7 is an elevational view thereof; and,

FIG. 8 is perspective view thereof, the broken-line disclosure of the second support and the towel bar are for illustrative purposes only and form no part of the claimed design; and,

FIG. 9 is perspective view thereof, the broken-line disclosure of the second support and the towel bar are for illustrative purposes only and form no part of the claimed design.

1 Claim, 4 Drawing Sheets



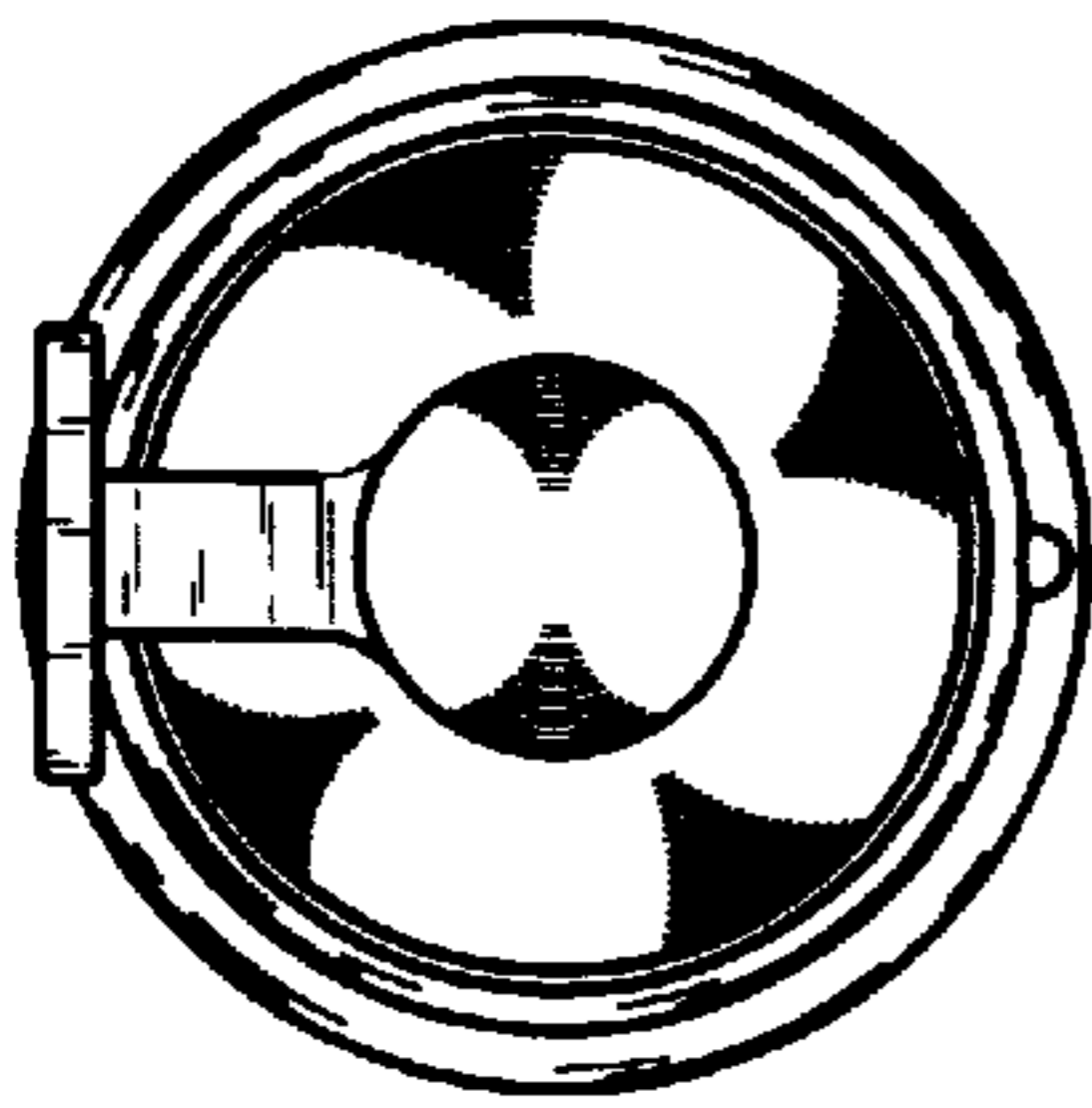


FIG5

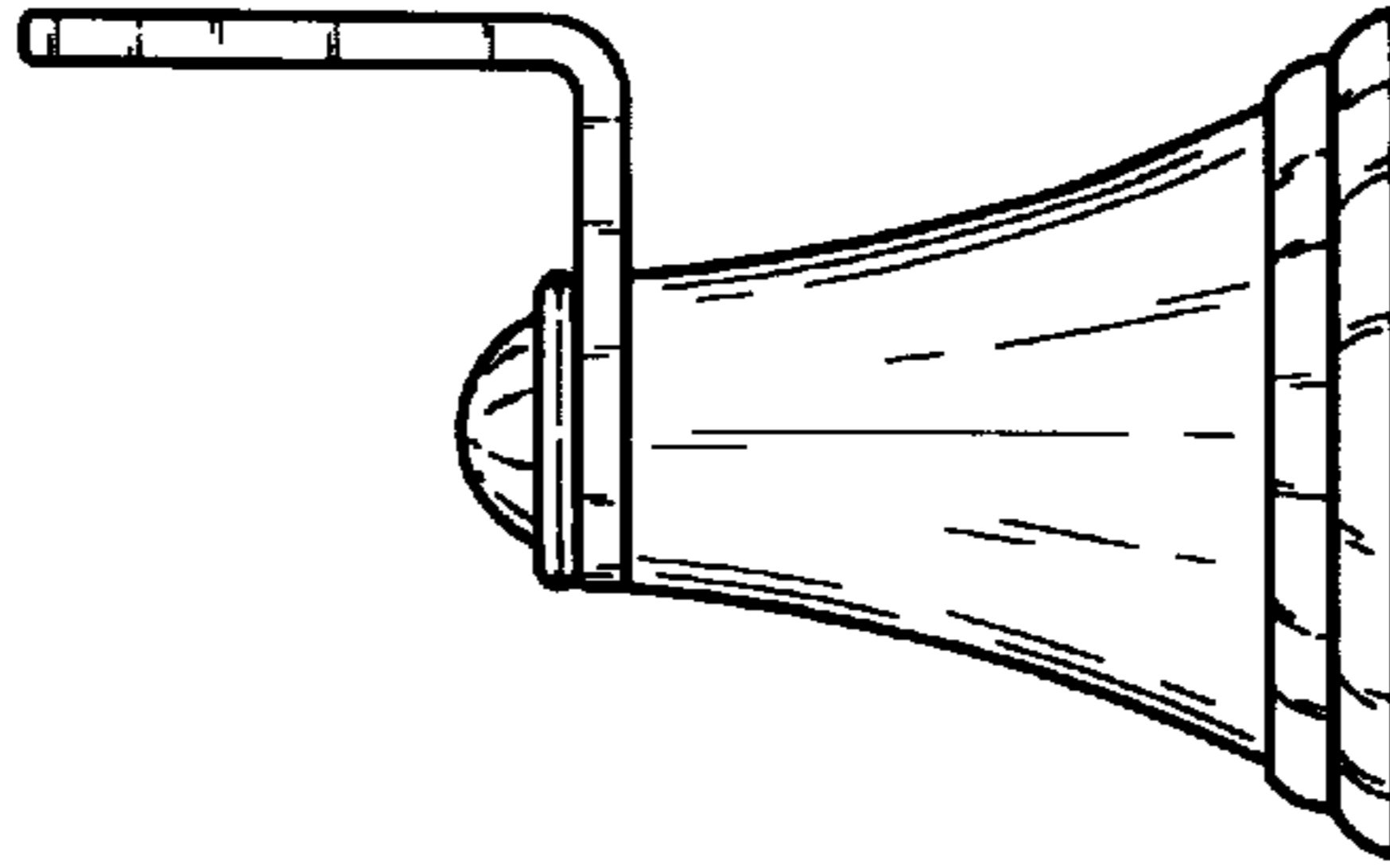


FIG4

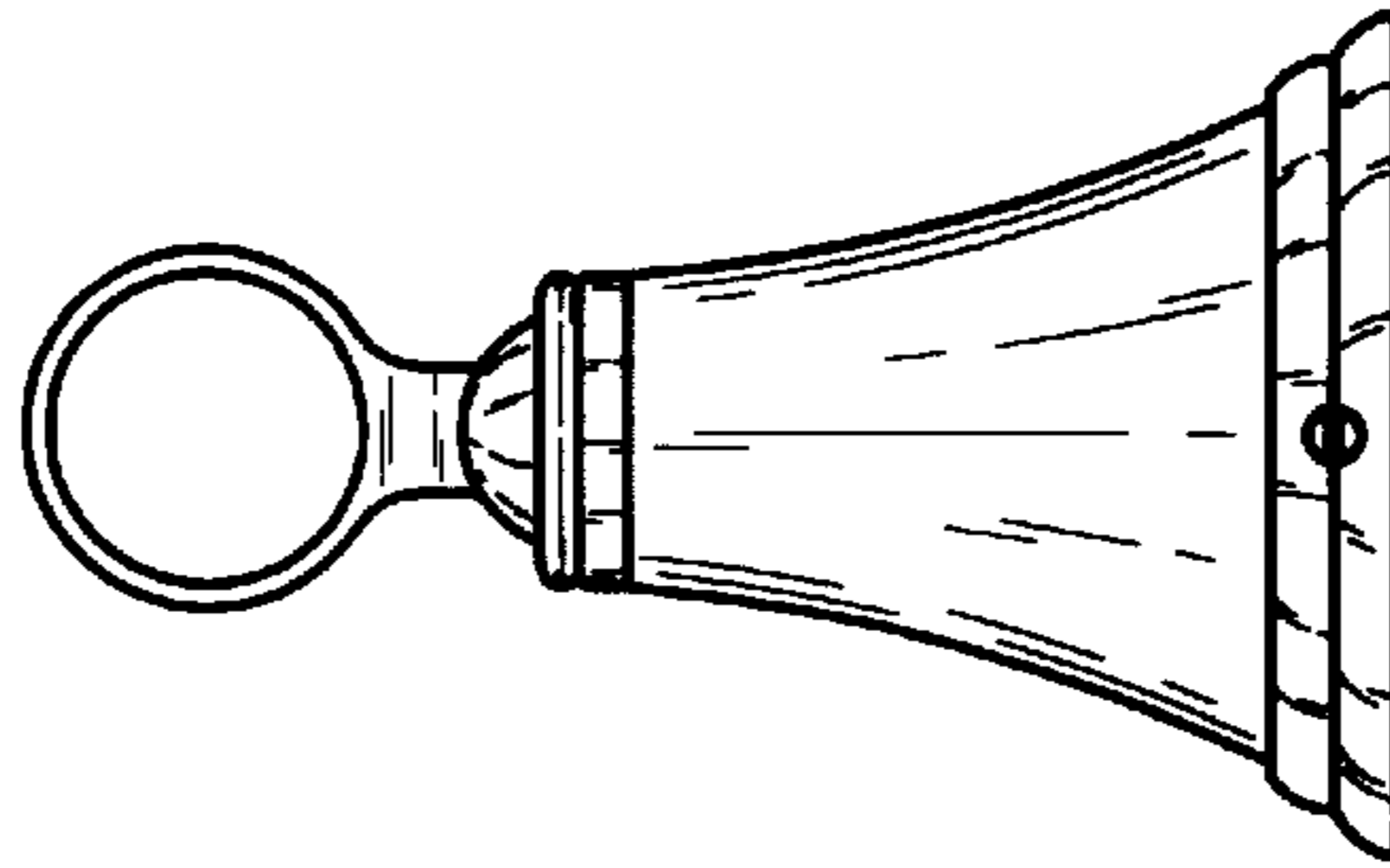


FIG1

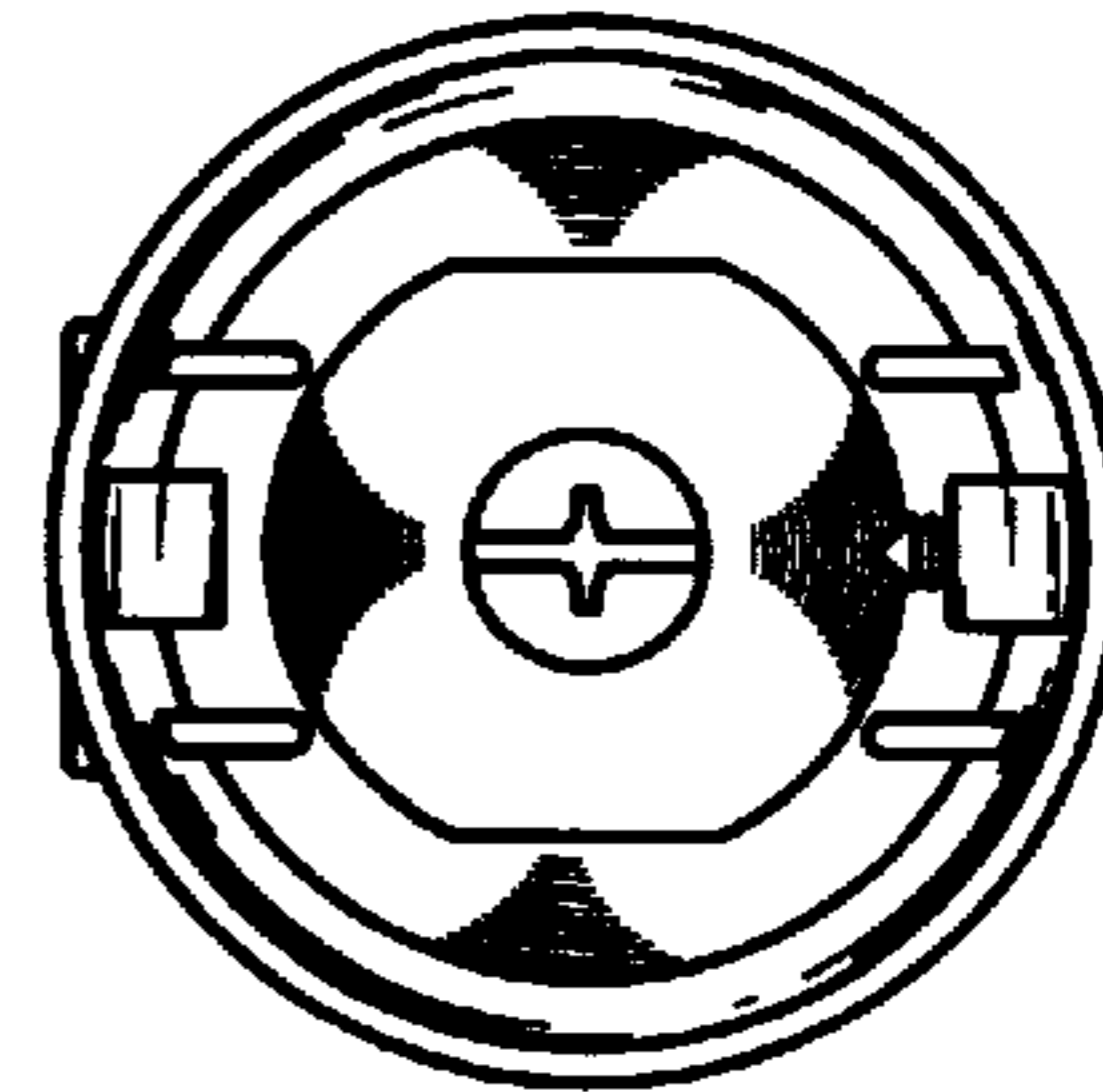


FIG6

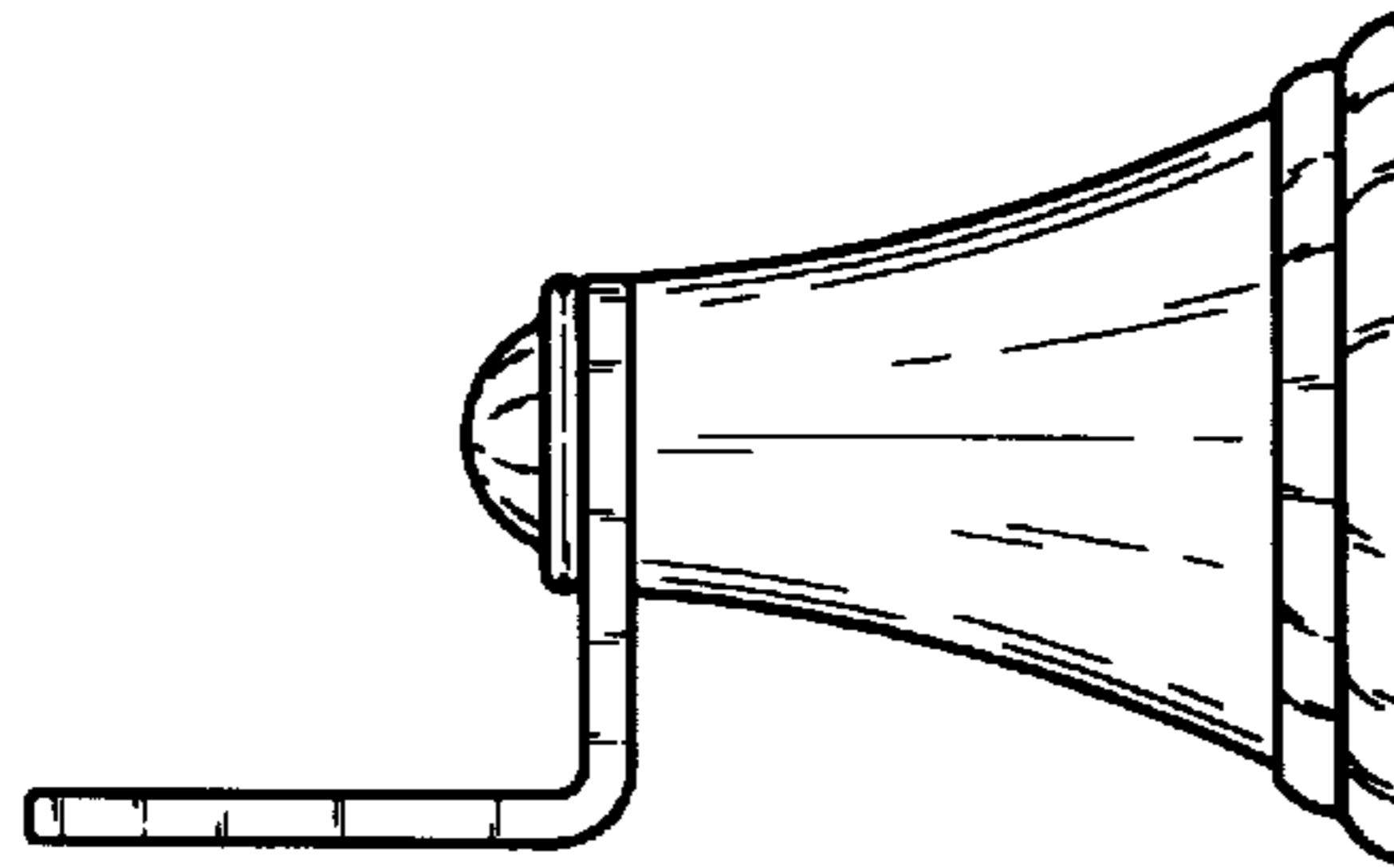


FIG3

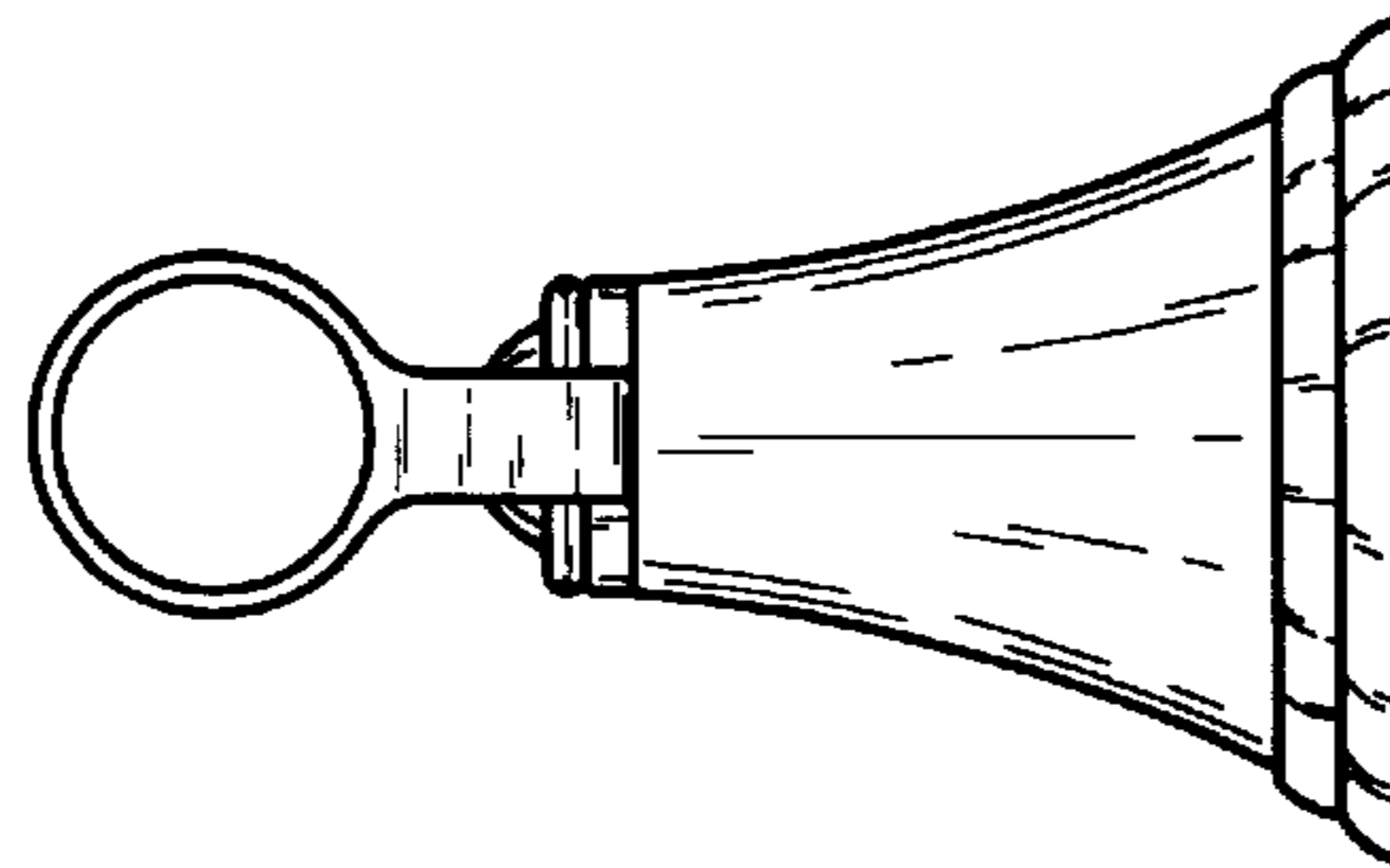


FIG2

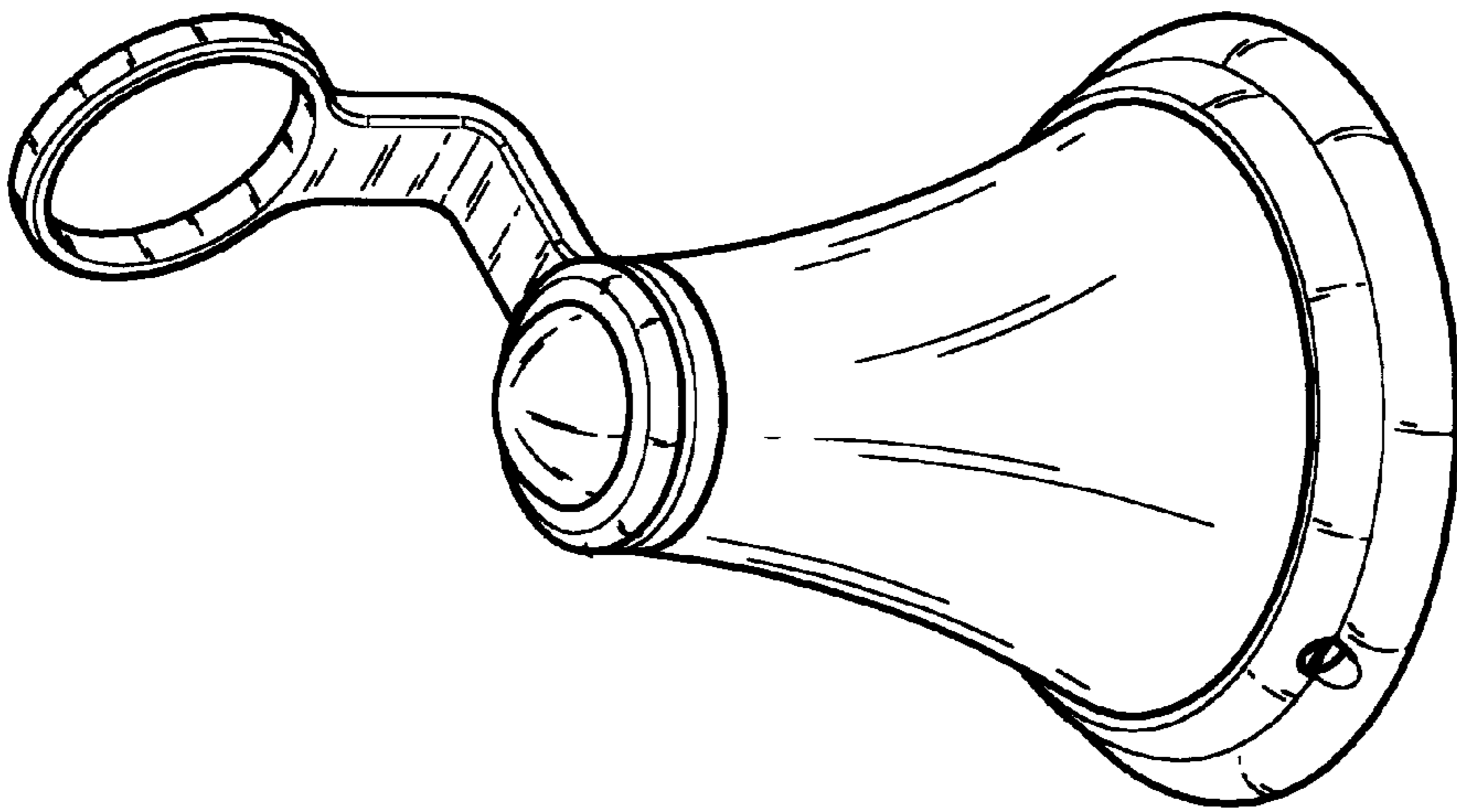


FIG 7

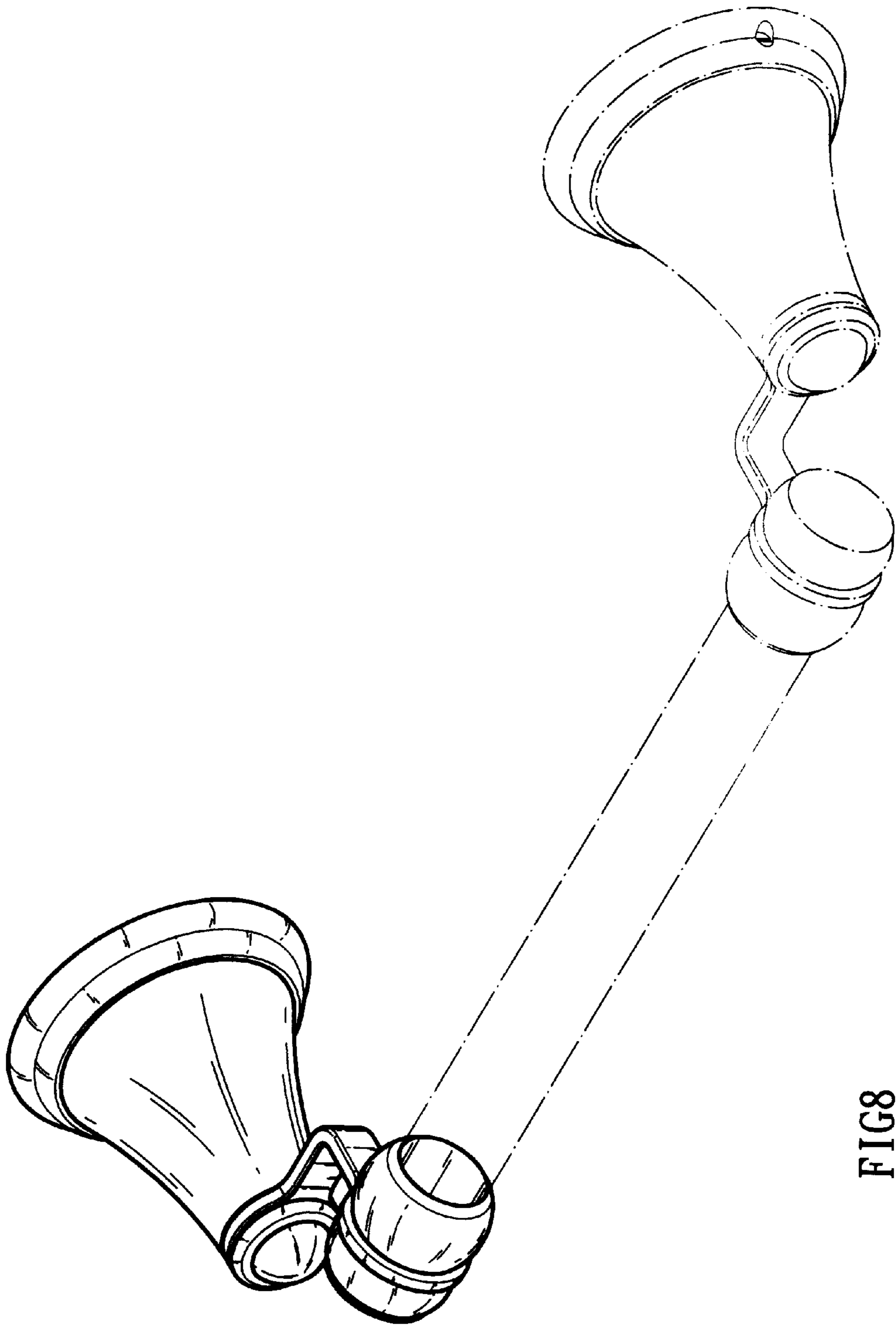


FIG 8

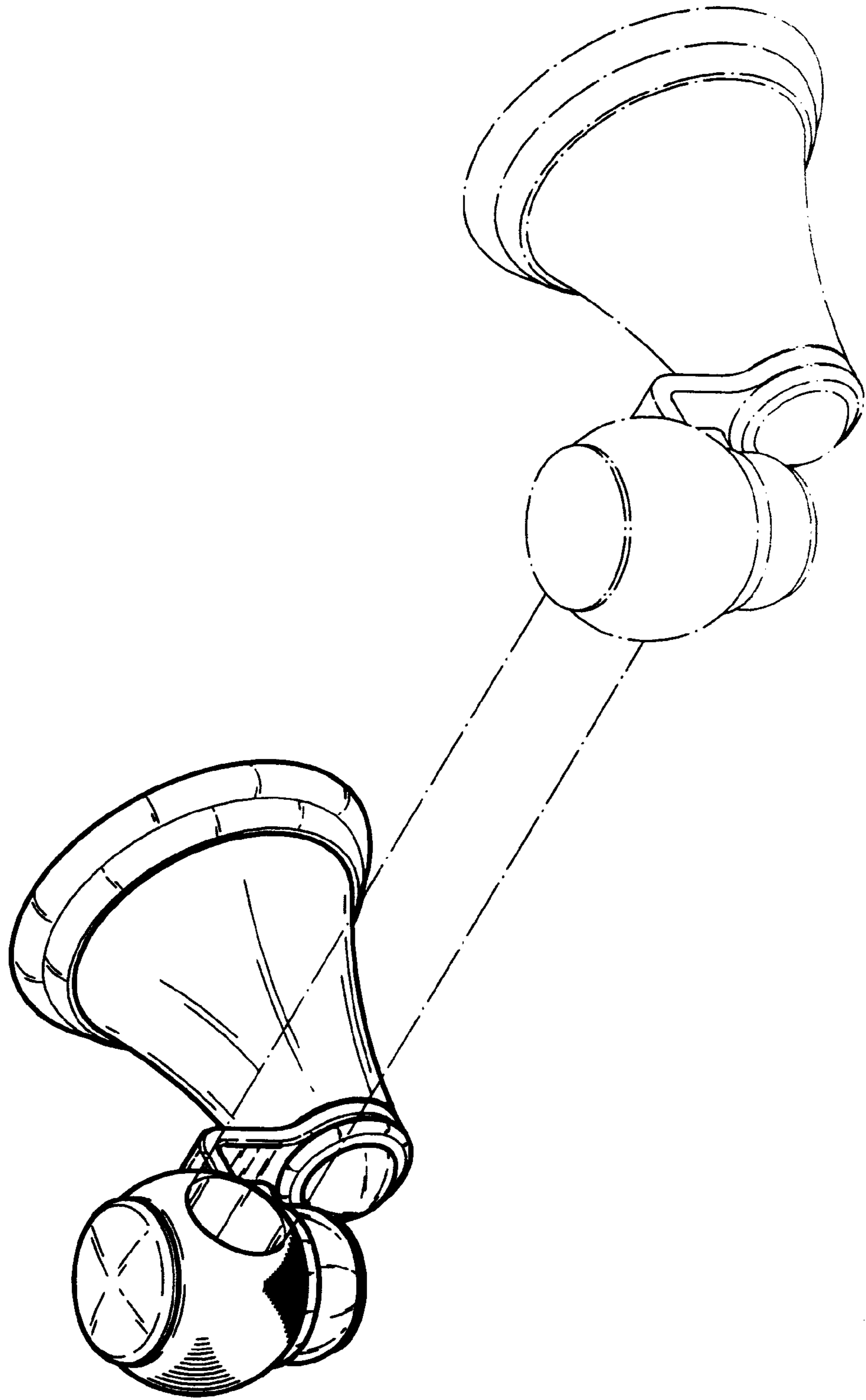


FIG 9