



US00D452100B1

(12) **United States Design Patent**  
**Gilbert**

(10) **Patent No.:** **US D452,100 S**

(45) **Date of Patent:** **\*\* Dec. 18, 2001**

(54) **TOWEL BAR**

(75) **Inventor:** **Christopher Jon Gilbert**, Moreland Hills, OH (US)

(73) **Assignee:** **Moen Incorporated**, North Olmsted, OH (US)

(\*\*) **Term:** **14 Years**

(21) **Appl. No.:** **29/140,163**

(22) **Filed:** **Apr. 12, 2001**

(51) **LOC (7) Cl.** ..... **06-04**

(52) **U.S. Cl.** ..... **D6/549**

(58) **Field of Search** ..... D6/546-50, 518, D6/522-24; D8/300, 315-21, 354, 363, 373, 380; 108/28-29; 211/13.1, 16, 60.1, 86.01, 87.01, 88.04, 100, 105.1-105.2, 123, 181.1, 182; 248/175, 176.1, 251, 302; 16/110.1, 412, 415

(56) **References Cited**

**U.S. PATENT DOCUMENTS**

- D. 168,832 2/1953 Eaton .
- D. 259,753 7/1981 Fleischmann et al. .
- D. 300,998 5/1989 Gresens et al. .
- D. 317,386 6/1991 McKeone .
- D. 318,590 7/1991 McKeone .
- D. 328,215 7/1992 McKeone .
- D. 329,347 9/1992 Gomes .
- D. 337,230 7/1993 Wang .
- D. 348,509 7/1994 Bollenbacher .
- D. 349,208 8/1994 Bollenbacher .
- D. 357,838 5/1995 Lehn et al. .
- D. 360,792 8/1995 Sharpe .
- D. 385,735 11/1997 Hundley et al. .
- D. 388,271 12/1997 Moore .

- D. 390,397 2/1998 Chen .
- D. 392,138 3/1998 Wu .
- D. 392,139 \* 3/1998 Wu ..... D6/549
- D. 394,971 6/1998 Moore .
- D. 406,484 3/1999 Wu .
- D. 408,188 4/1999 Kuo .
- D. 408,669 4/1999 Kuo .
- D. 417,112 11/1999 Chen .
- D. 417,995 \* 12/1999 Chen ..... D6/550
- D. 422,820 4/2000 Chen .
- D. 425,348 5/2000 Chen .
- D. 425,741 5/2000 Duggan .
- D. 426,095 \* 6/2000 Chen ..... D6/549
- D. 427,471 \* 7/2000 Chen ..... D6/549
- D. 429,998 \* 8/2000 Snell ..... D8/363
- D. 431,139 9/2000 Chen .
- D. 431,140 9/2000 Kuo .

\* cited by examiner

*Primary Examiner*—Brian N. Vinson  
(74) *Attorney, Agent, or Firm*—Cook, Alex, McFarron, Manzo, Cummings & Mehler, Ltd.

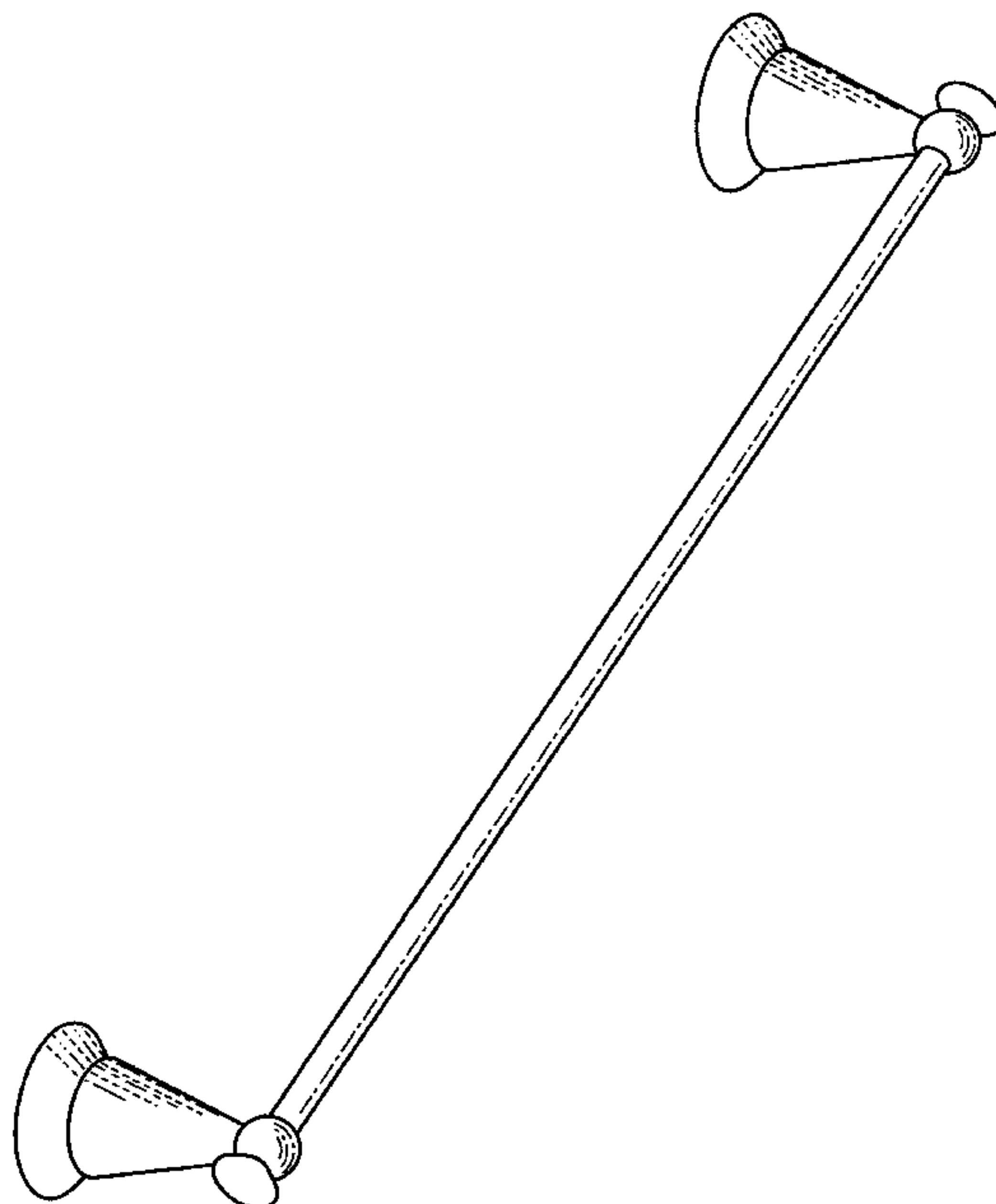
(57) **CLAIM**

The ornamental design for a towel bar, as shown and described.

**DESCRIPTION**

FIG. 1 is a top front perspective view of my new design for a towel bar;  
FIG. 2 is a left side view thereof, the right side being the same as the left side;  
FIG. 3 is a front view thereof;  
FIG. 4 is a bottom view thereof;  
FIG. 5 is a rear view thereof; and,  
FIG. 6 is a top view thereof.

**1 Claim, 2 Drawing Sheets**



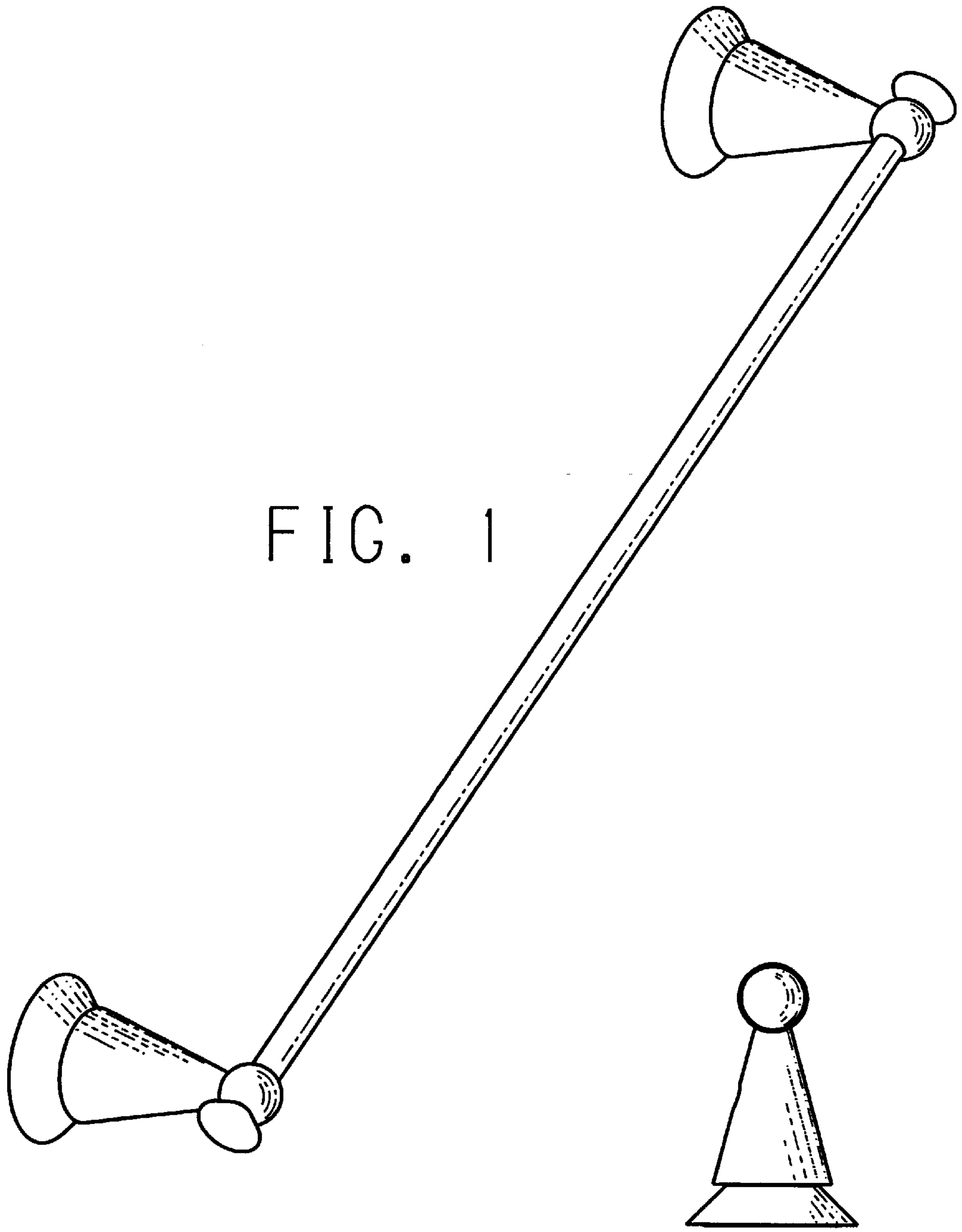
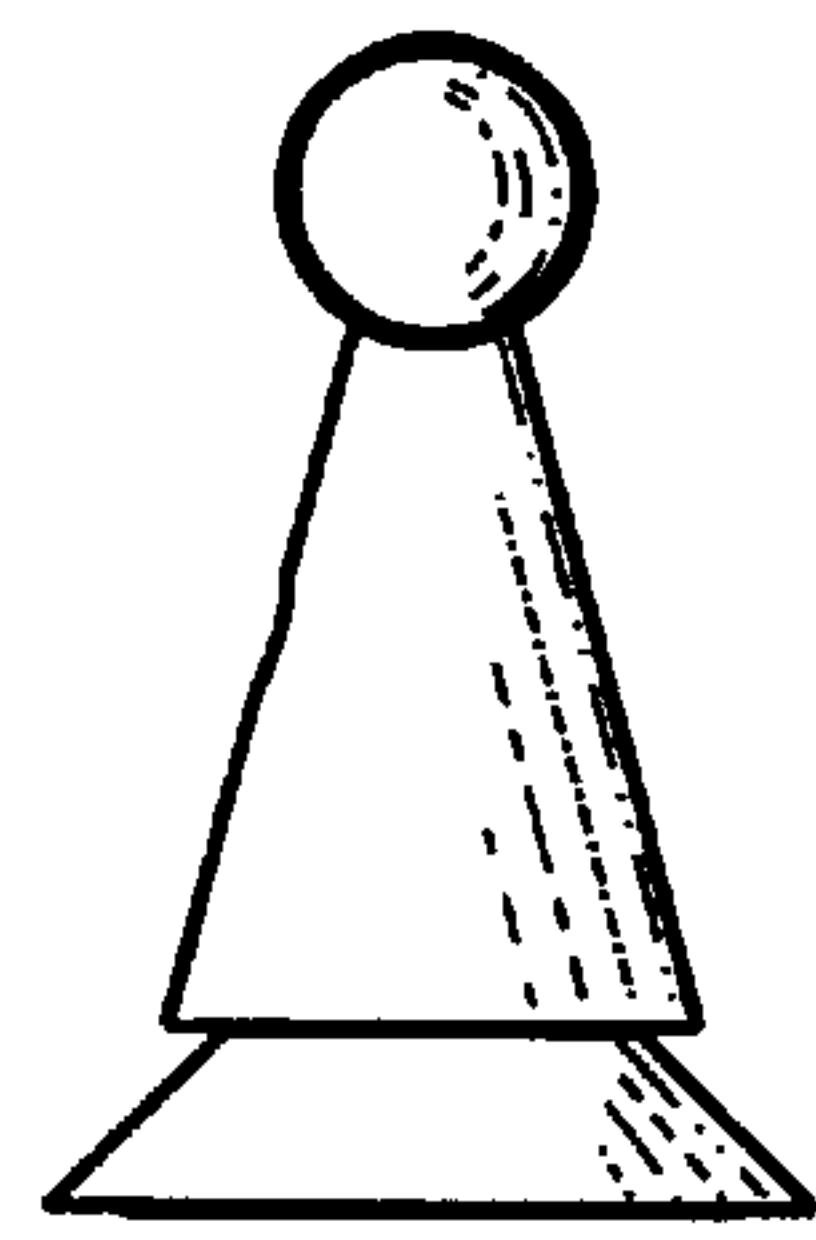


FIG. 1

FIG. 2



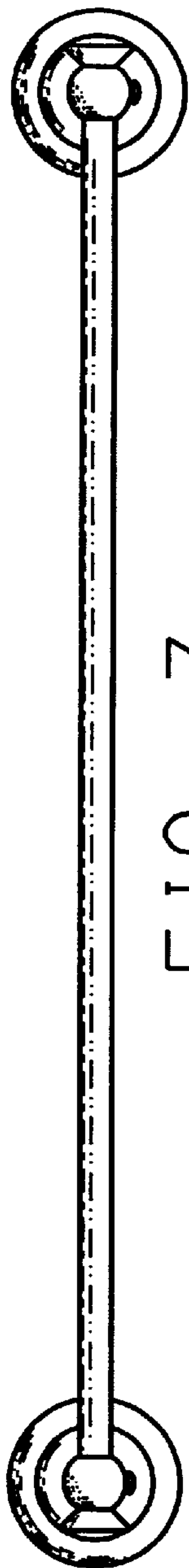


FIG. 3

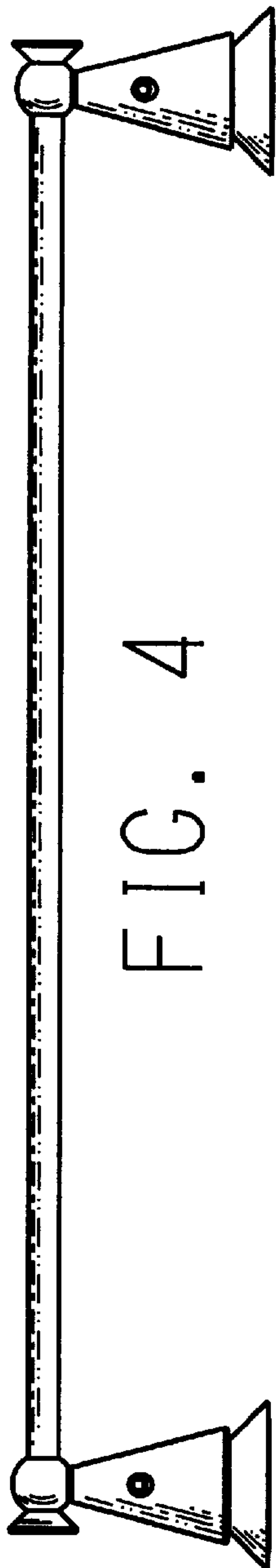


FIG. 4



FIG. 5

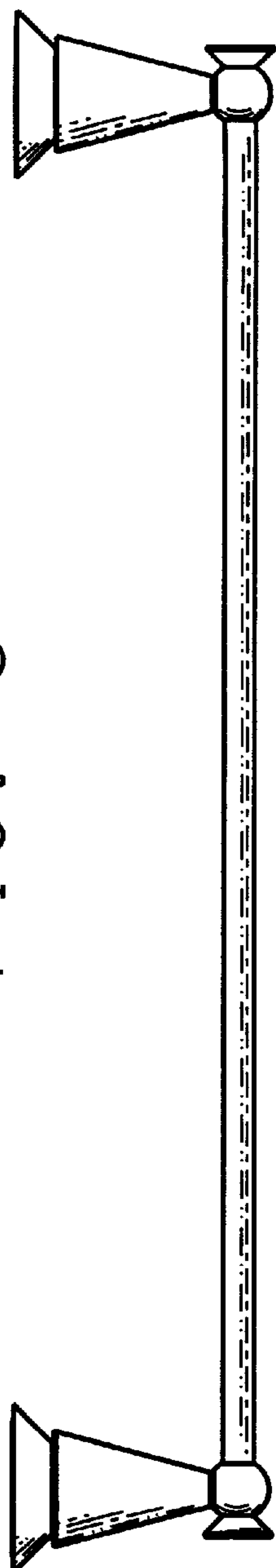


FIG. 6