



US00D452099B1

(12) **United States Design Patent**
Poitras et al.

(10) **Patent No.:** **US D452,099 S**

(45) **Date of Patent:** **** Dec. 18, 2001**

(54) **FLUID DISPENSER SUPPORT**

(75) Inventors: **James W. Poitras**, Holliston; **Dennis A. Nickerson**, W. Medway; **Edwin W. Wlodyka**, Ashland, all of MA (US)

(73) Assignee: **Highland Laboratories, Inc.**, Ashland, MA (US)

(**) Term: **14 Years**

(21) Appl. No.: **29/095,868**

(22) Filed: **Oct. 30, 1998**

(51) **LOC (7) Cl.** **07-07**

(52) **U.S. Cl.** **D6/545**

(58) **Field of Search** D6/542-545; 221/282; 222/105, 173, 181.1, 515, 517, 518

(56) **References Cited**

U.S. PATENT DOCUMENTS

- D. 203,654 * 2/1966 Packwood, Jr. D6/545
- D. 217,872 * 6/1970 Sessions D6/515
- D. 228,994 * 11/1973 Reinecke et al. D6/515
- D. 256,859 * 9/1980 Hauser et al. D6/515 X

- D. 298,097 * 10/1988 Vogel et al. D6/545
- D. 348,368 * 7/1994 Hazecamp D6/515

* cited by examiner

Primary Examiner—Brian N. Vinson

(74) *Attorney, Agent, or Firm*—John E. Toupal; Harold G. Jarcho

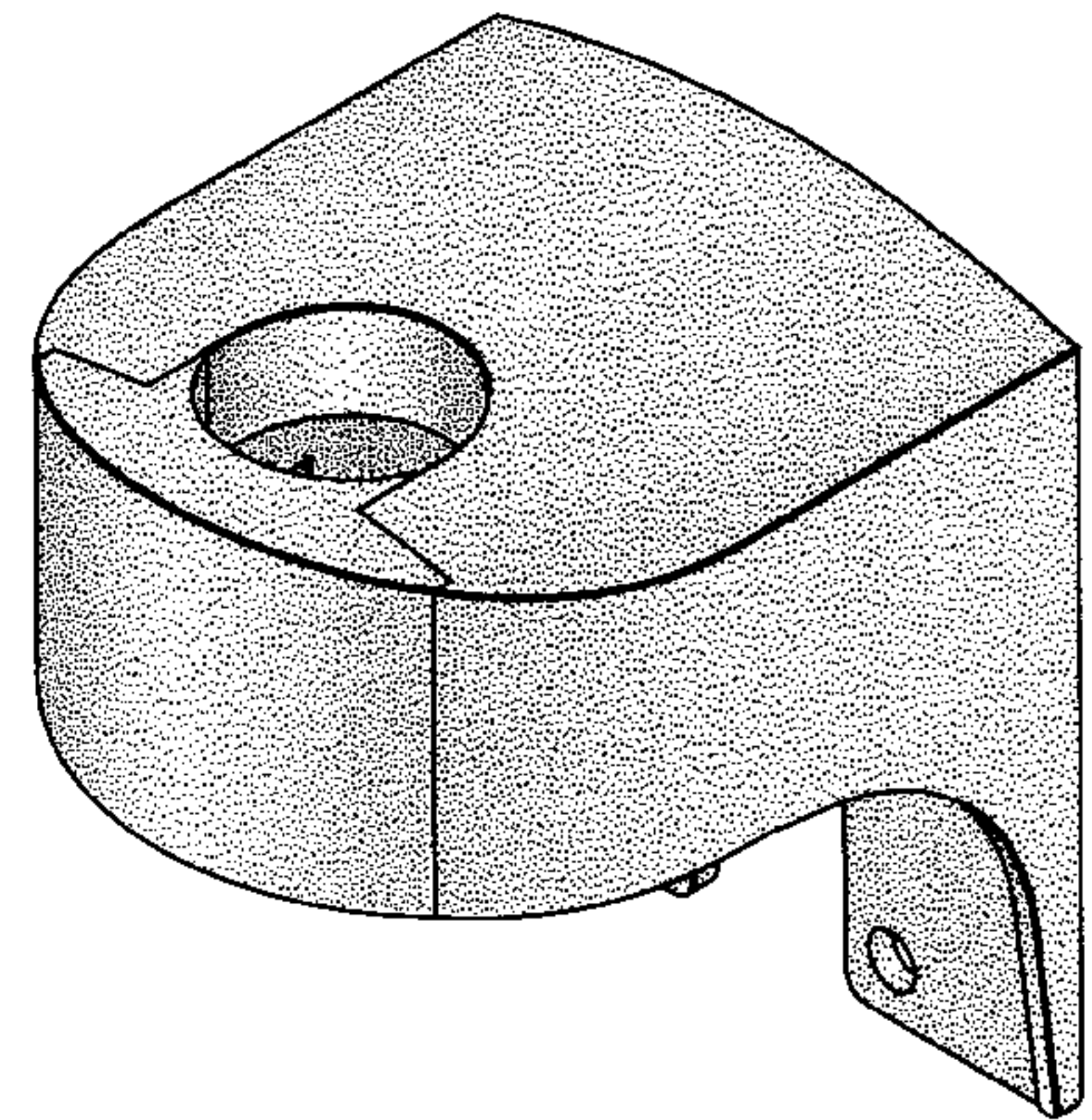
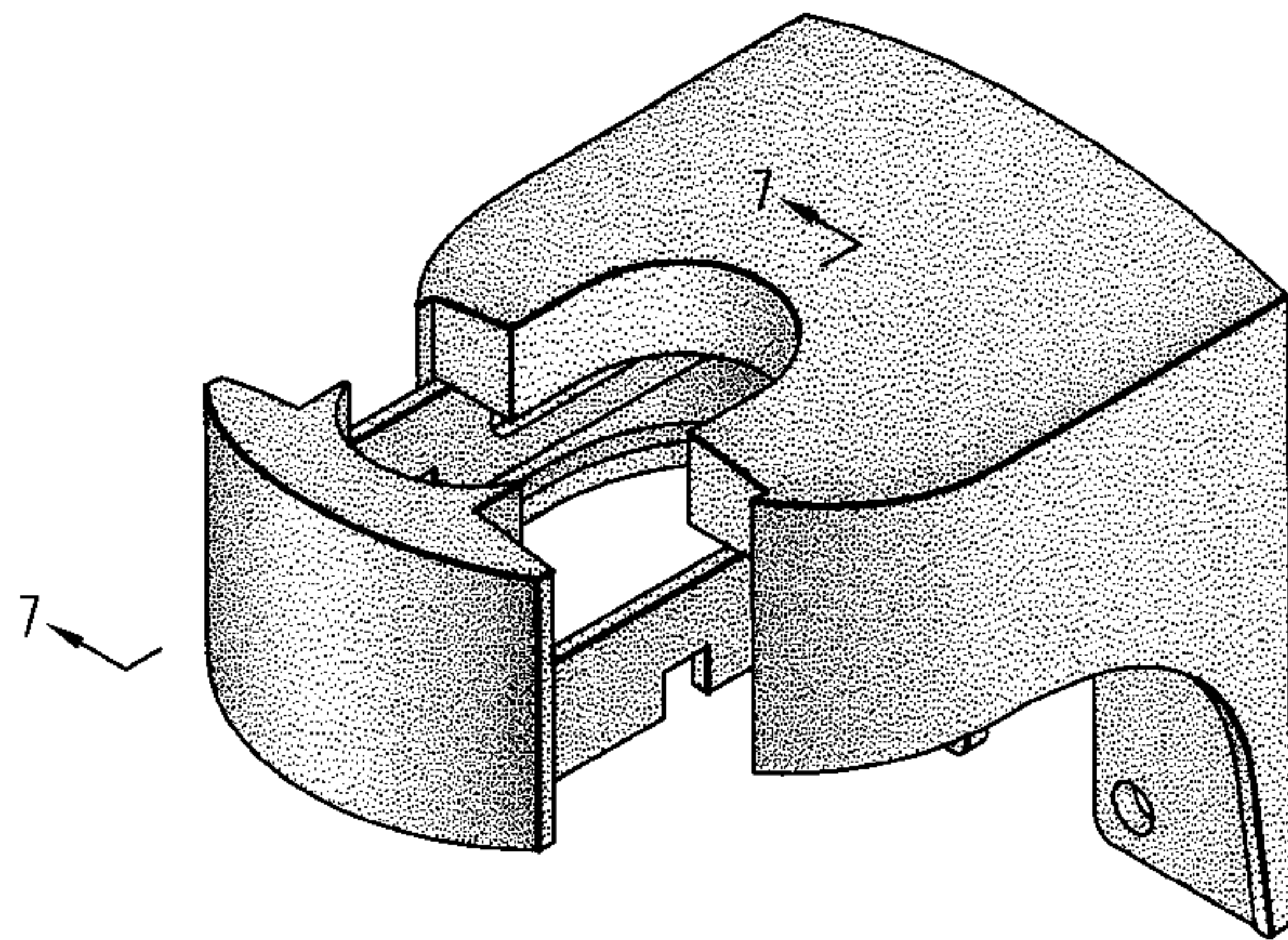
(57) **CLAIM**

We claim the ornamental design for a fluid dispenser support, as shown and described.

DESCRIPTION

FIG. 1 is a front right perspective view of a fluid dispenser support in an open position showing our new design; FIG. 2 is a front right perspective view of a fluid dispenser support in a closed position; FIG. 3 is a top view thereof; FIG. 4 is a bottom view thereof; FIG. 5 is a front view thereof; FIG. 6 is a right side view in a closed position; and, FIG. 7 is a partial right side sectional view thereof, taken along line 7—7 of FIG. 1.

1 Claim, 3 Drawing Sheets



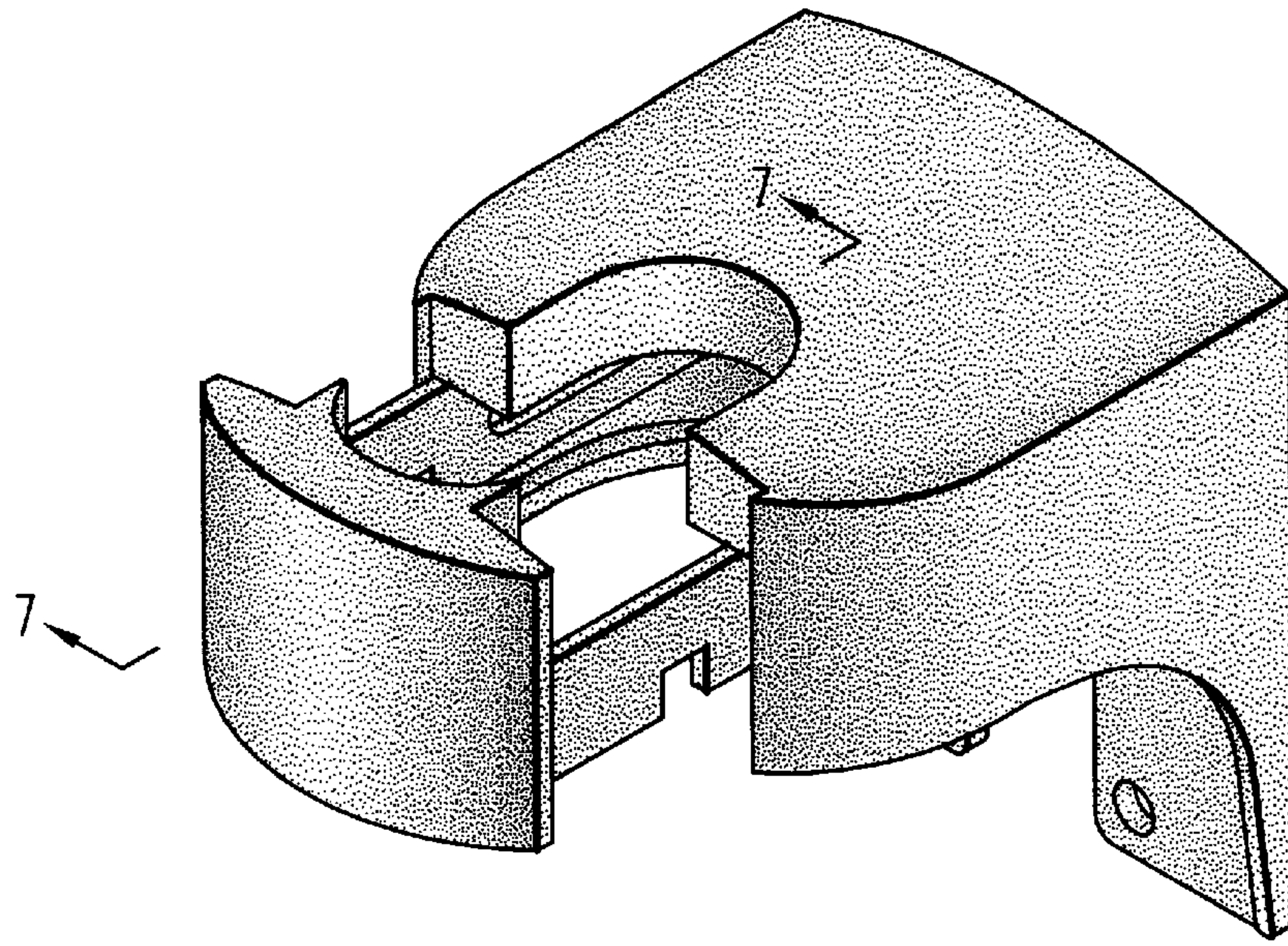


FIG. 1

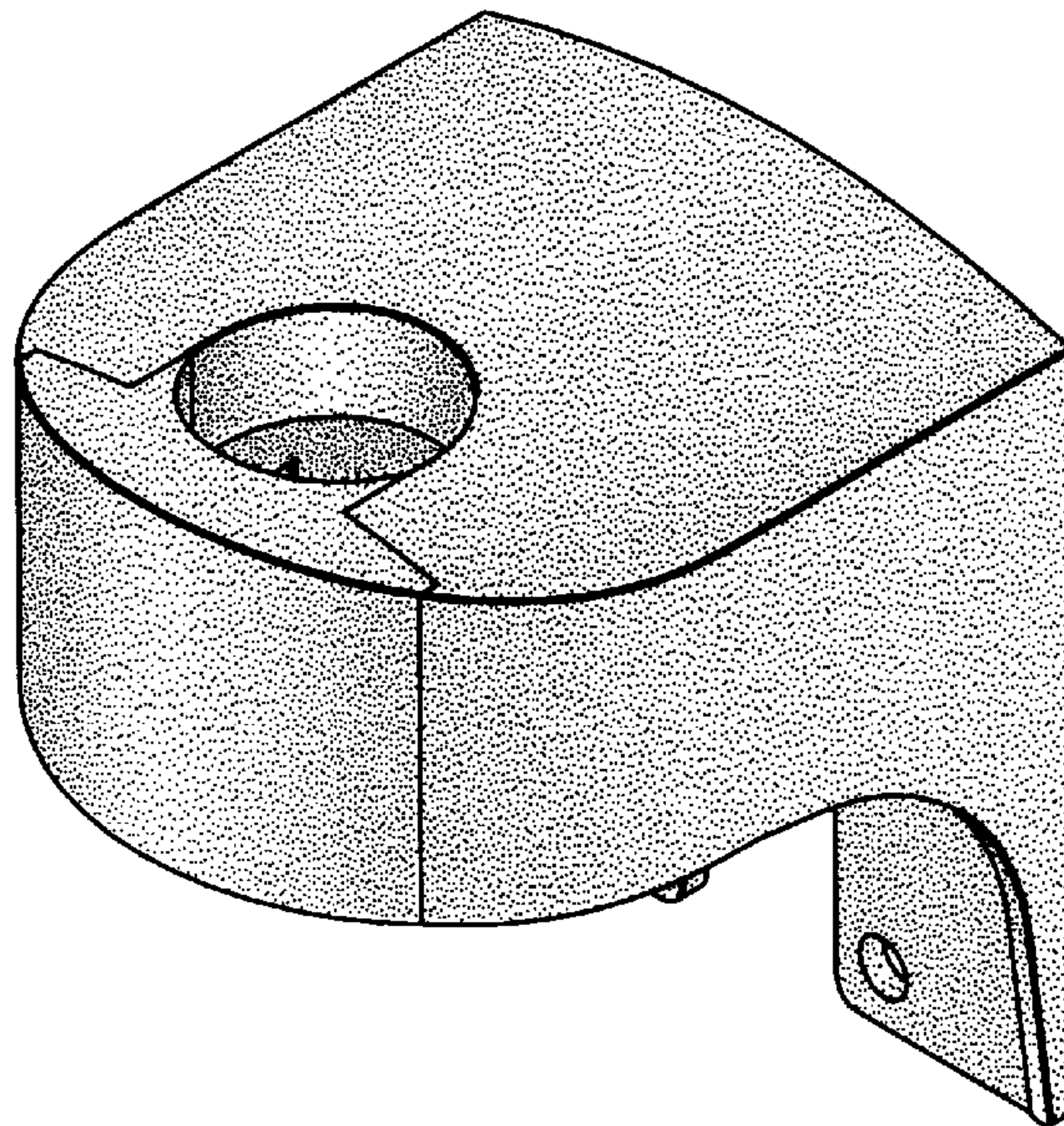


FIG. 2

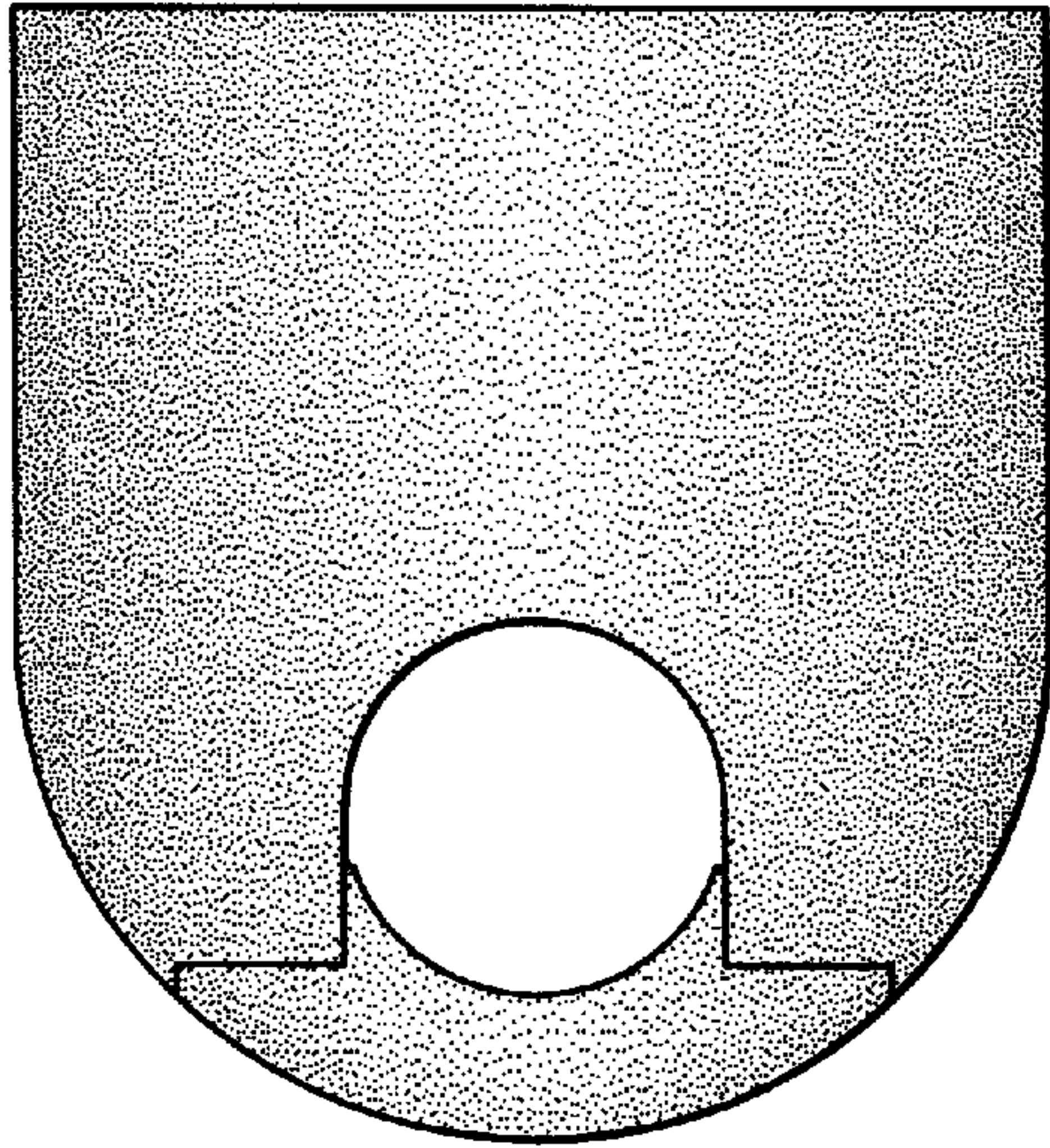


FIG. 3

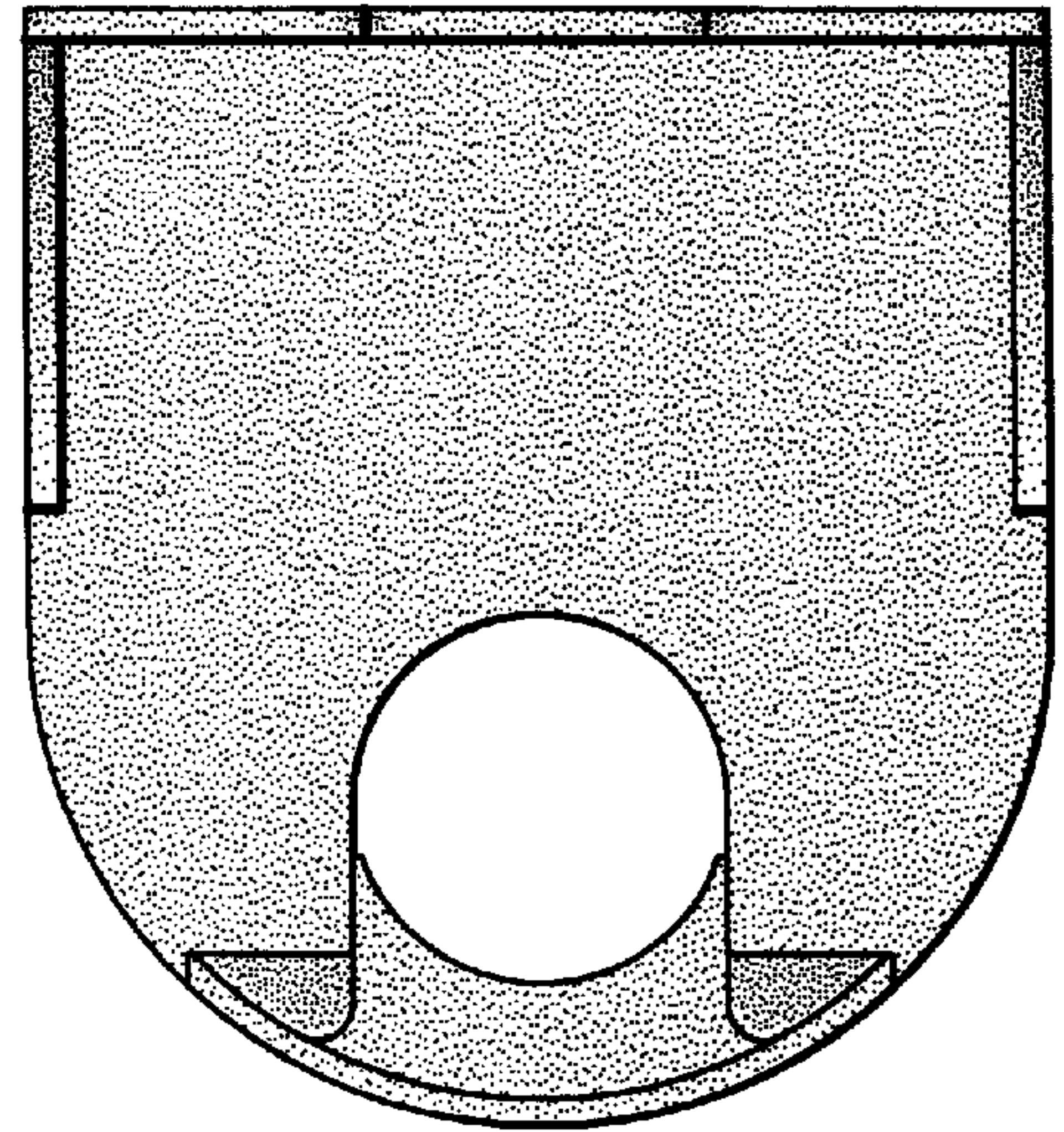


FIG. 4

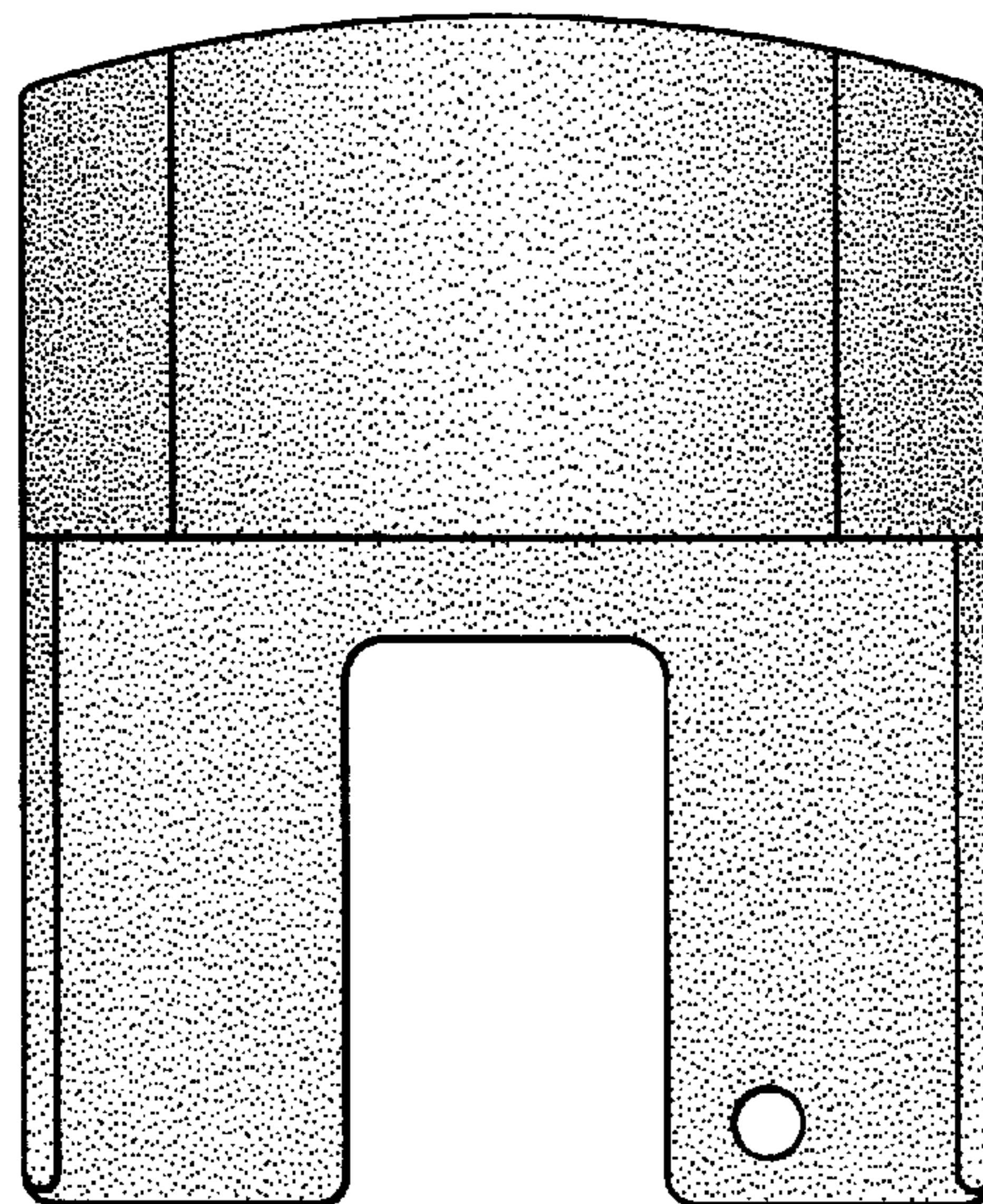


FIG. 5

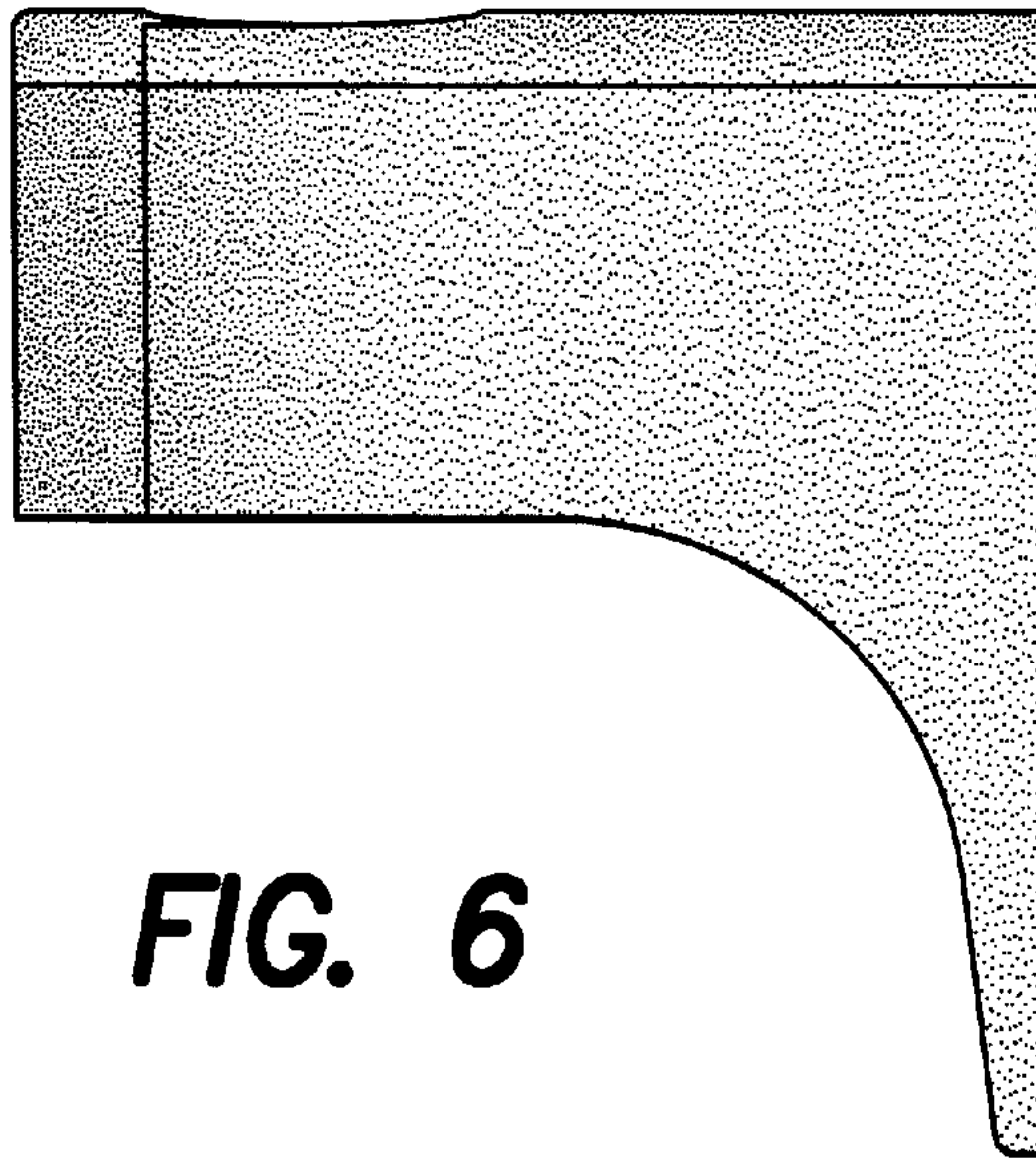


FIG. 6

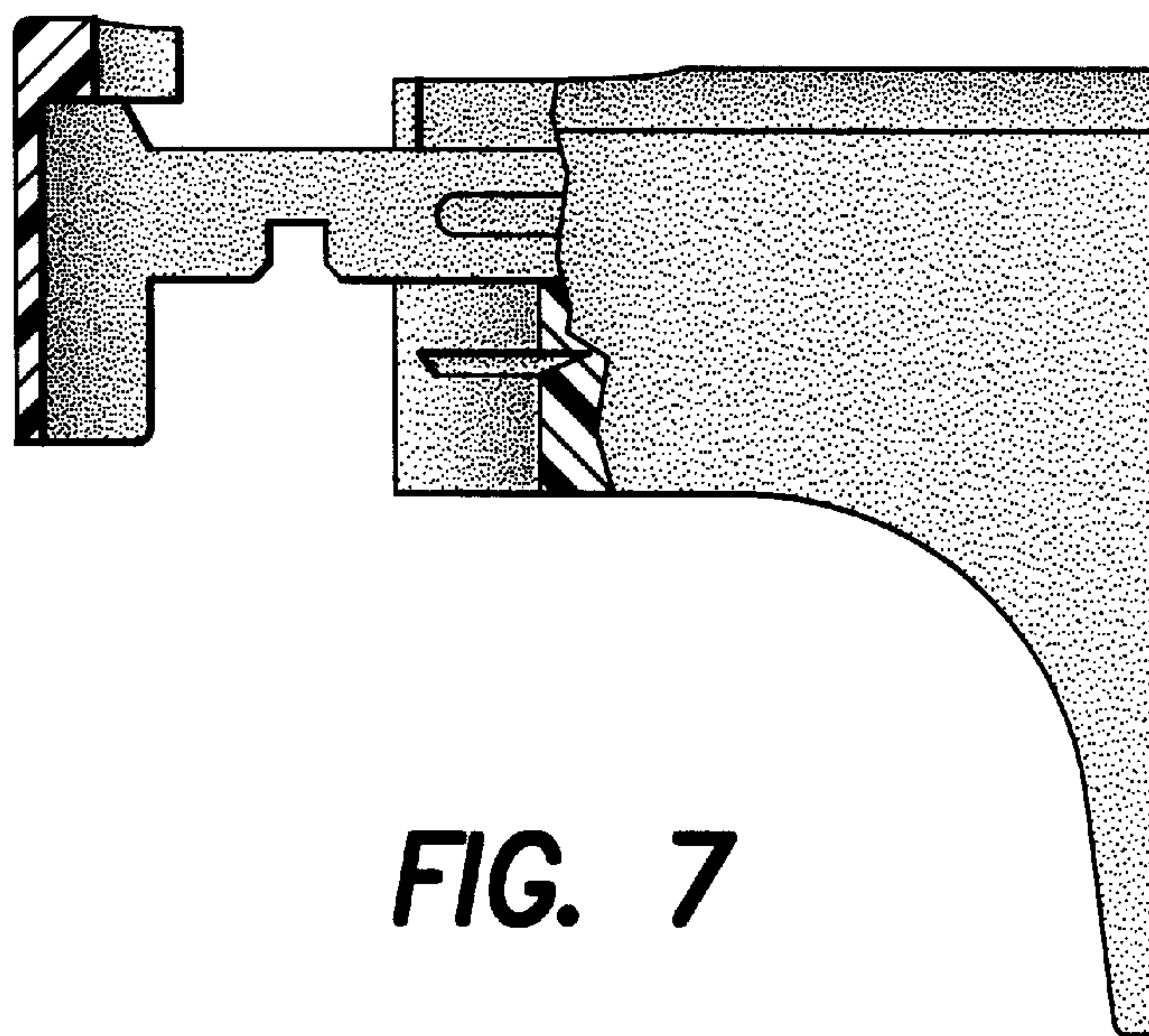


FIG. 7