



US00D452094B1

(12) **United States Design Patent**
Akin

(10) **Patent No.:** **US D452,094 S**

(45) **Date of Patent:** **** Dec. 18, 2001**

(54) **BATHROOM TOILET PAPER ROLL AND MAGAZINE HOLDER**

(76) **Inventor:** **Connie M Akin**, 2111 - 167th Ave.,
San Leandro, CA (US) 94578

(**) **Term:** **14 Years**

(21) **Appl. No.:** **29/087,424**

(22) **Filed:** **May 1, 1998**

(51) **LOC (7) Cl.** **20-02**

(52) **U.S. Cl.** **D6/515; D6/520**

(58) **Field of Search** D6/518, 520, 523;
206/389, 391, 806; 211/13.1, 113; 312/34.8

(56) **References Cited**

U.S. PATENT DOCUMENTS

D. 356,225	*	3/1995	Coggins et al.	D6/520
D. 361,234	*	8/1995	Ball	D6/520
D. 366,381	*	1/1996	Espinal	D6/520
D. 372,823	*	8/1996	Kershreiter	D6/520
D. 388,989	*	1/1998	Puckerin	D6/520

* cited by examiner

Primary Examiner—Brian N. Vinson

(57) **CLAIM**

The ornamental design for a bathroom toilet paper roll and magazine holder, as shown and described.

DESCRIPTION

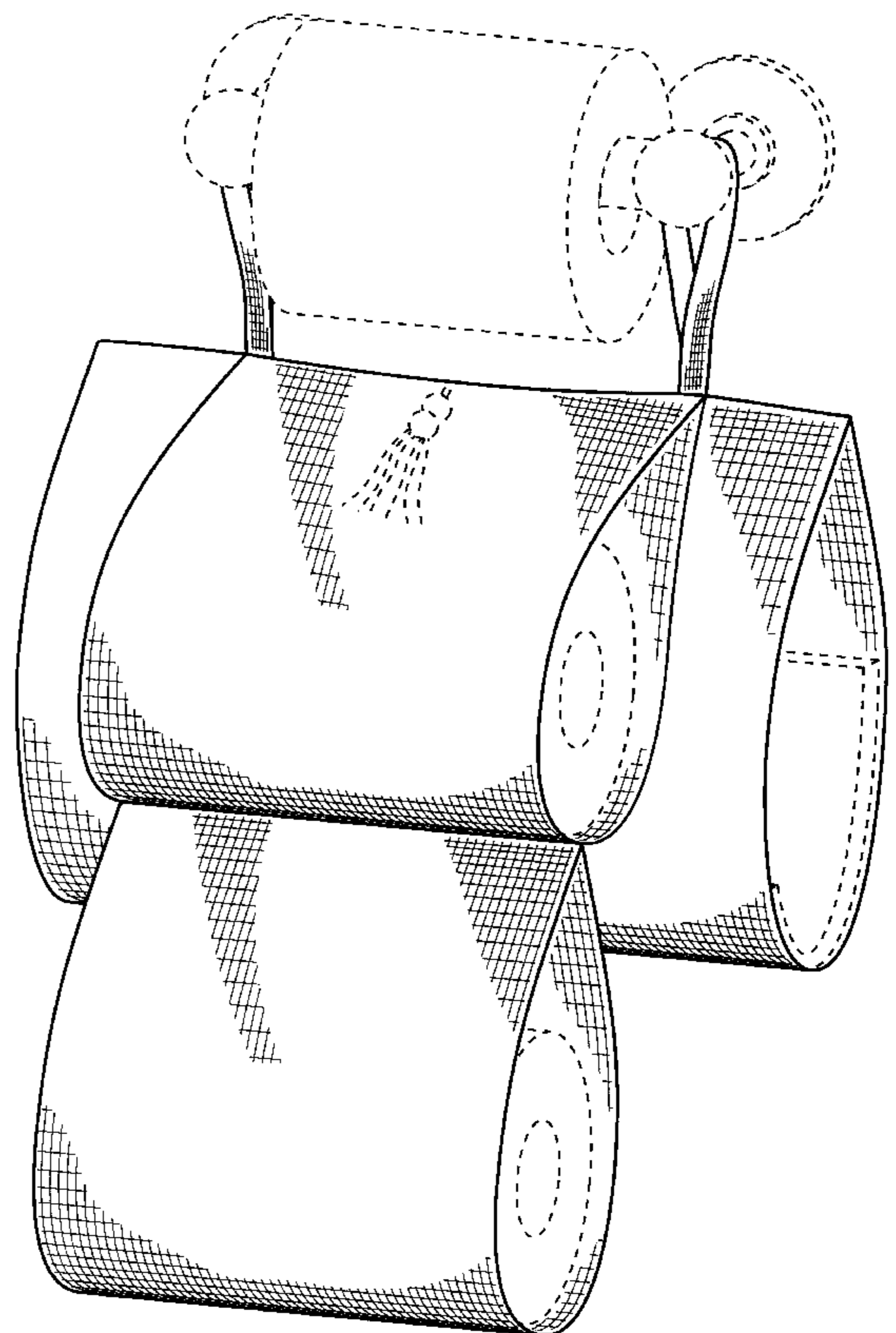
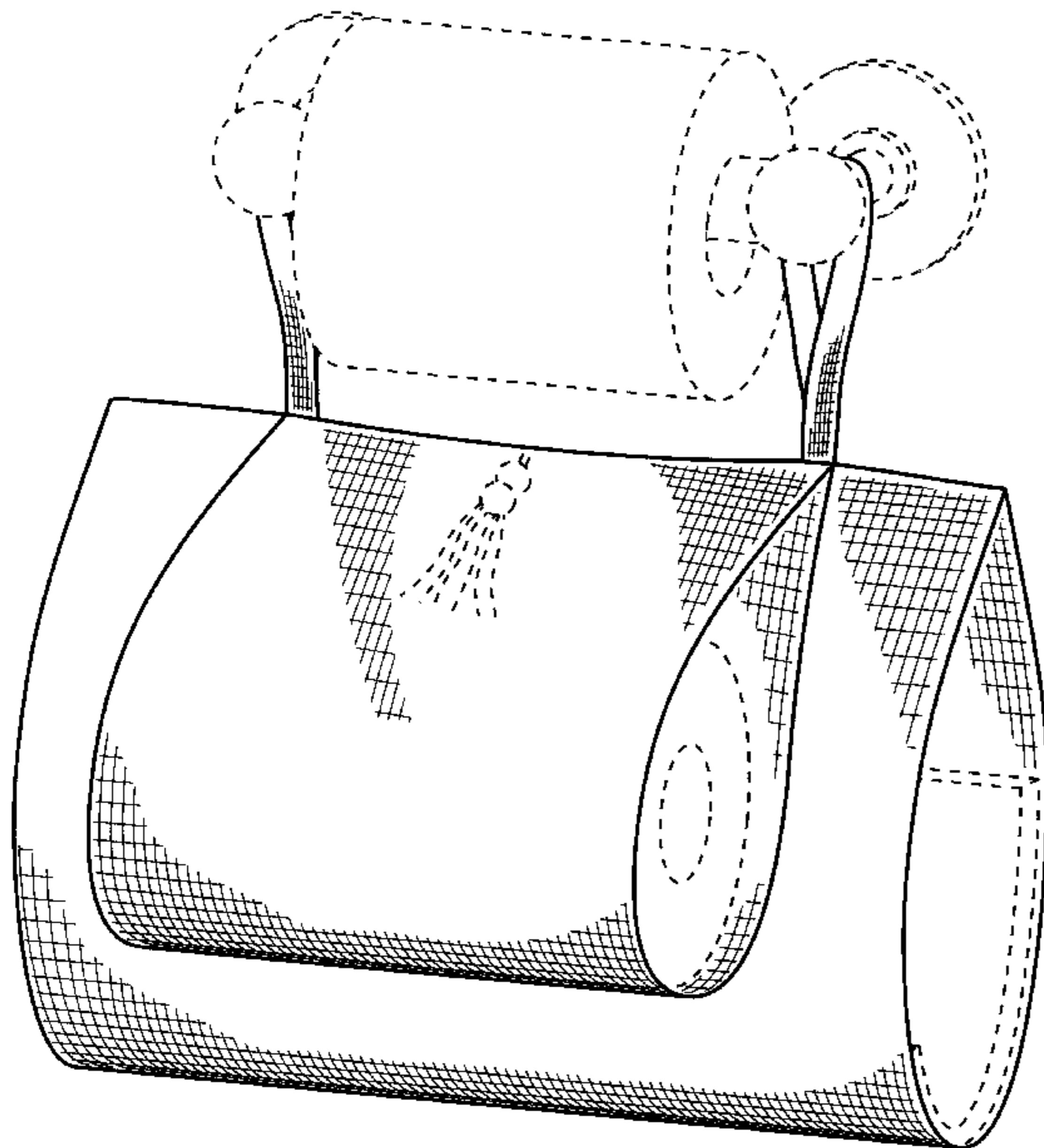
FIG. 1 is a front and right side perspective view of a bathroom toilet paper roll and magazine holder showing a first embodiment thereof, the broken-line disclosure of the toilet roll holder, toilet rolls, magazine and tassel are for illustrative purposes and form no part of the claimed design;

FIG. 2 is a front and right side perspective view thereof;

FIG. 3 is a front and right side perspective view of a bathroom toilet paper roll and magazine holder showing a second embodiment thereof, the broken-line disclosure of the toilet roll holder, toilet rolls, magazine and tassel are for illustrative purposes and form no part of the claimed design; and,

FIG. 4 is a front and right side perspective view thereof.

1 Claim, 4 Drawing Sheets



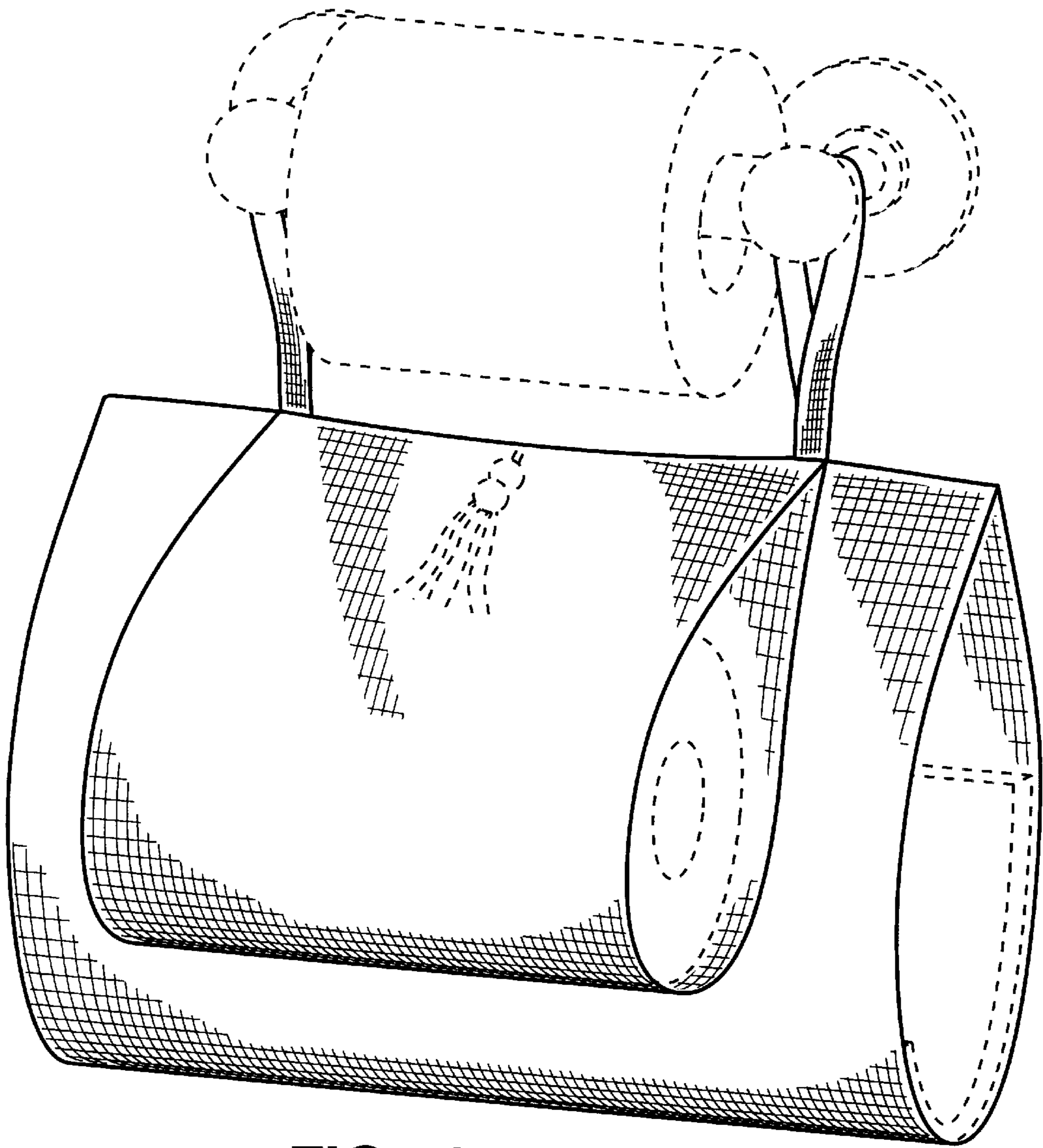


FIG._1

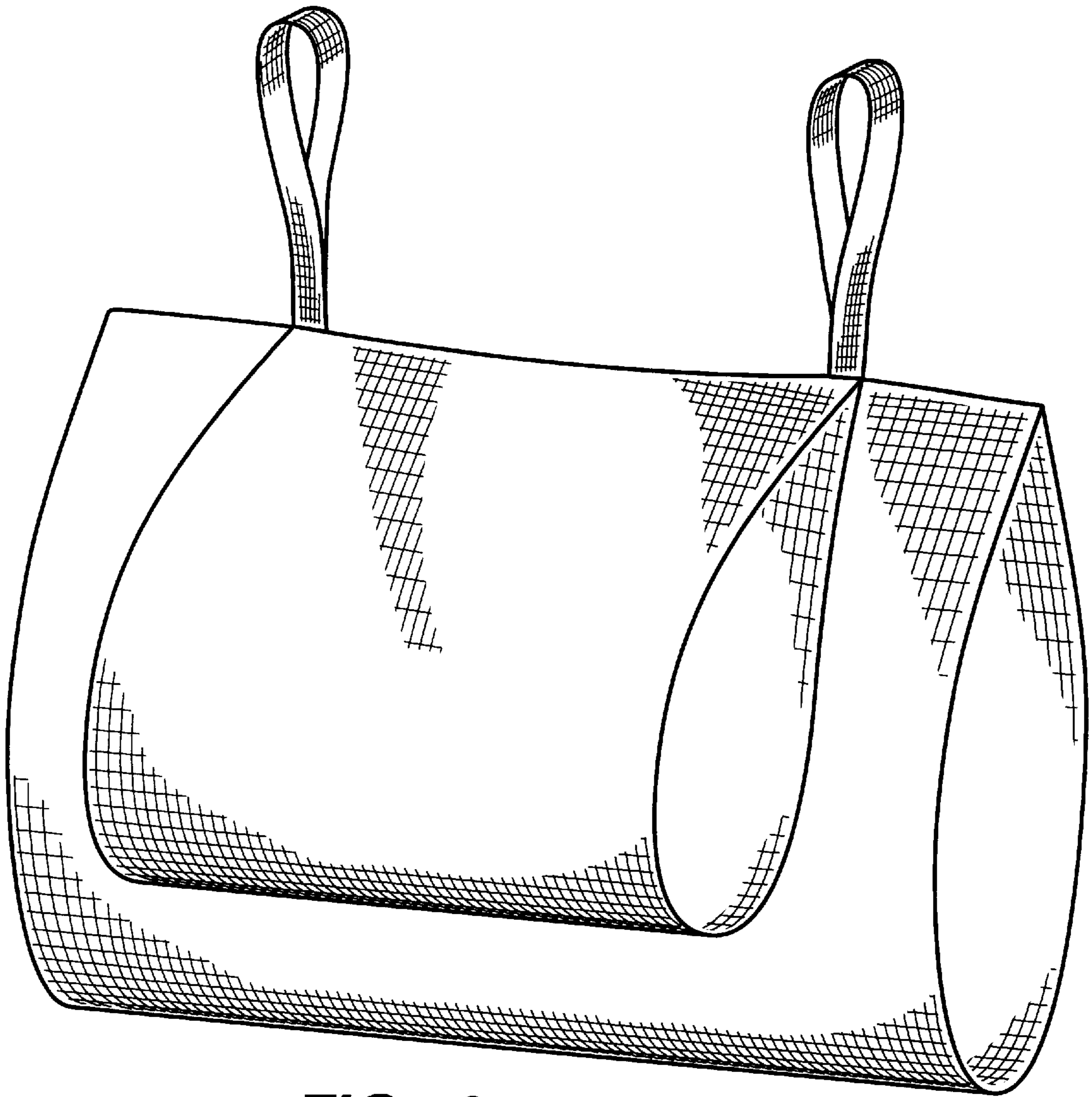


FIG. 2

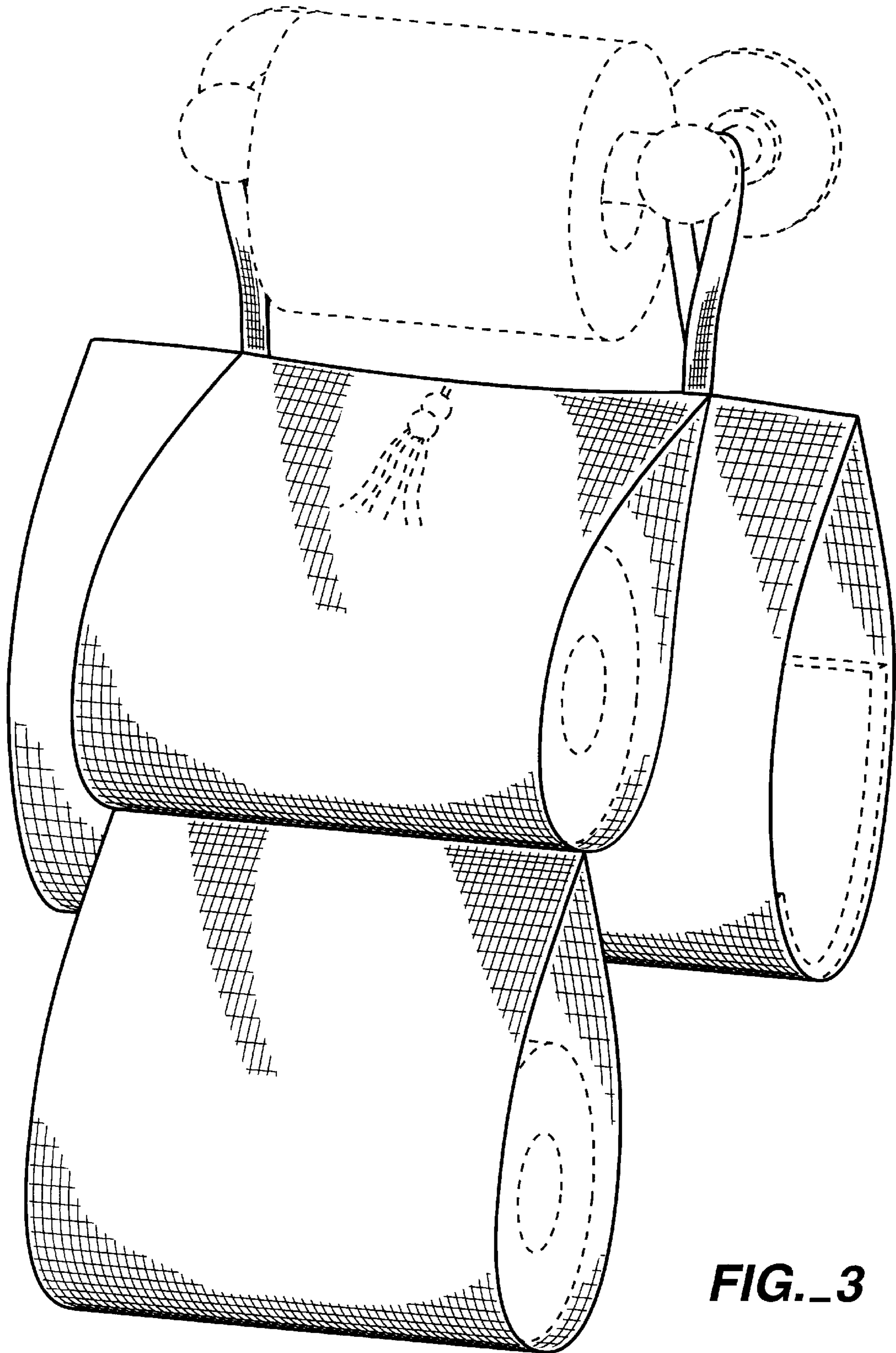


FIG. 3

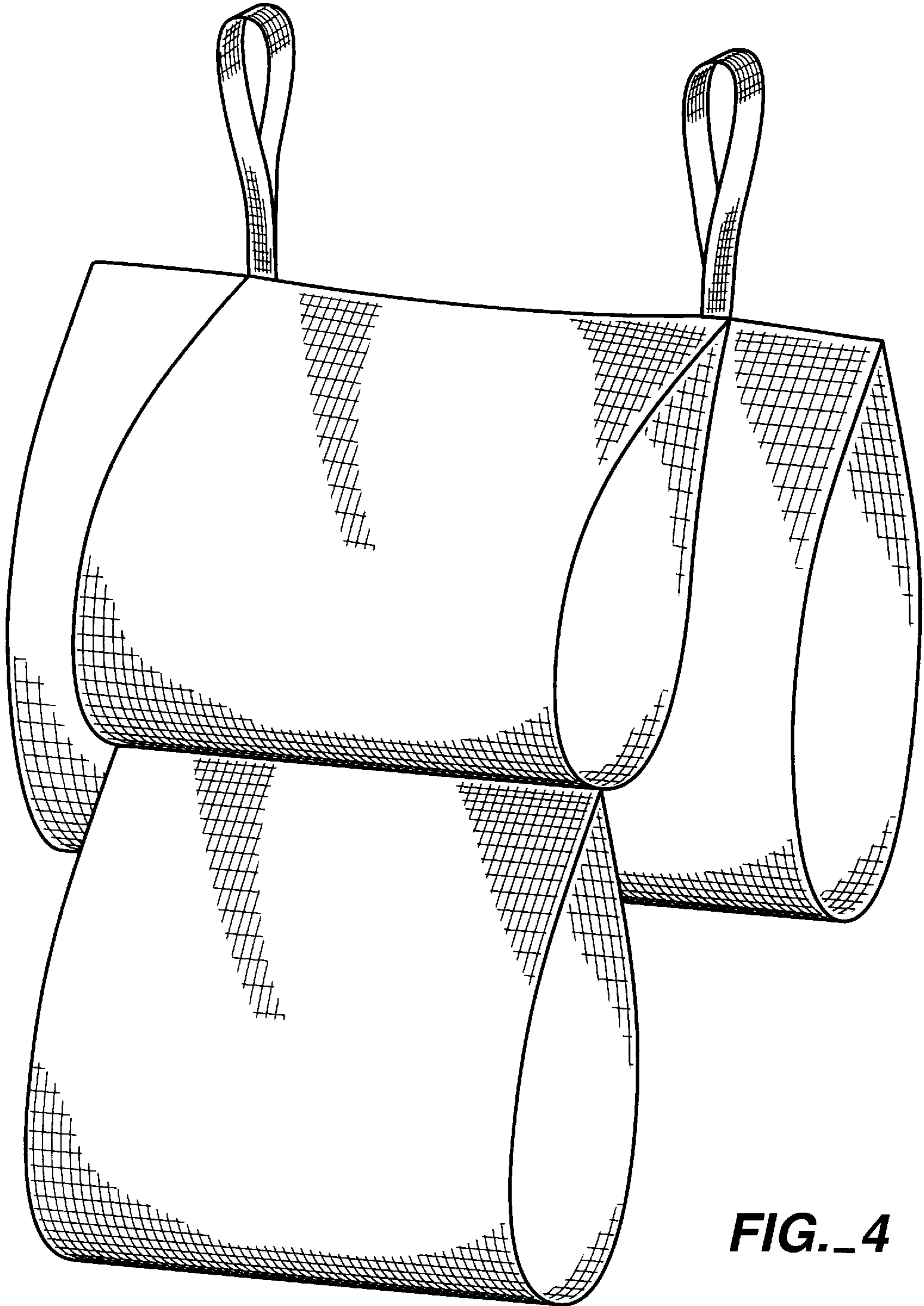


FIG. 4