



US00D452090B1

(12) **United States Design Patent**  
**Hokanson**

(10) **Patent No.:** **US D452,090 S**

(45) **Date of Patent:** **\*\* Dec. 18, 2001**

(54) **TABLE**

(75) Inventor: **Gary Hokanson**, Martinsville, VA (US)

(73) Assignee: **Stanley Furniture Company, Inc.**,  
Stanleytown, VA (US)

(\*\*) Term: **14 Years**

(21) Appl. No.: **29/137,084**

(22) Filed: **Feb. 14, 2001**

(51) **LOC (7) Cl.** ..... **06-03**

(52) **U.S. Cl.** ..... **D6/484**

(58) **Field of Search** ..... D6/480-489, 495-499,  
D6/477, 479; 108/153.1, 156, 157.1, 161;  
248/188, 188.1, 188.7, 188.8

(56) **References Cited**

**U.S. PATENT DOCUMENTS**

D. 93,059	*	8/1934	Walker	.....	D6/477
D. 93,307	*	9/1934	Treitel	.....	D6/487
D. 366,580	*	1/1996	Berry, Jr. et al.	.....	D6/480
D. 384,839	*	10/1997	Muller	.....	D6/480

**OTHER PUBLICATIONS**

Imperial Tables, Feb. 3, 1958, p. 2, table 604 at bottom right.\*

Interior Design, Jul. 1997, p. 97, tables.\*

\* cited by examiner

*Primary Examiner*—Janice E. Seeger

(74) *Attorney, Agent, or Firm*—McGuire Woods LLP

(57) **CLAIM**

The ornamental design for a table, as shown.

**DESCRIPTION**

FIG. 1 is a perspective view of a table;

FIG. 2 is a side elevational view of the table;

FIG. 3 is a top elevational view of the table;

FIG. 4 is a bottom elevational view of the table;

FIG. 5 is a front elevational view of the table (the rear view being the same as the front view);

FIG. 6 is a perspective view of a second embodiment of the table;

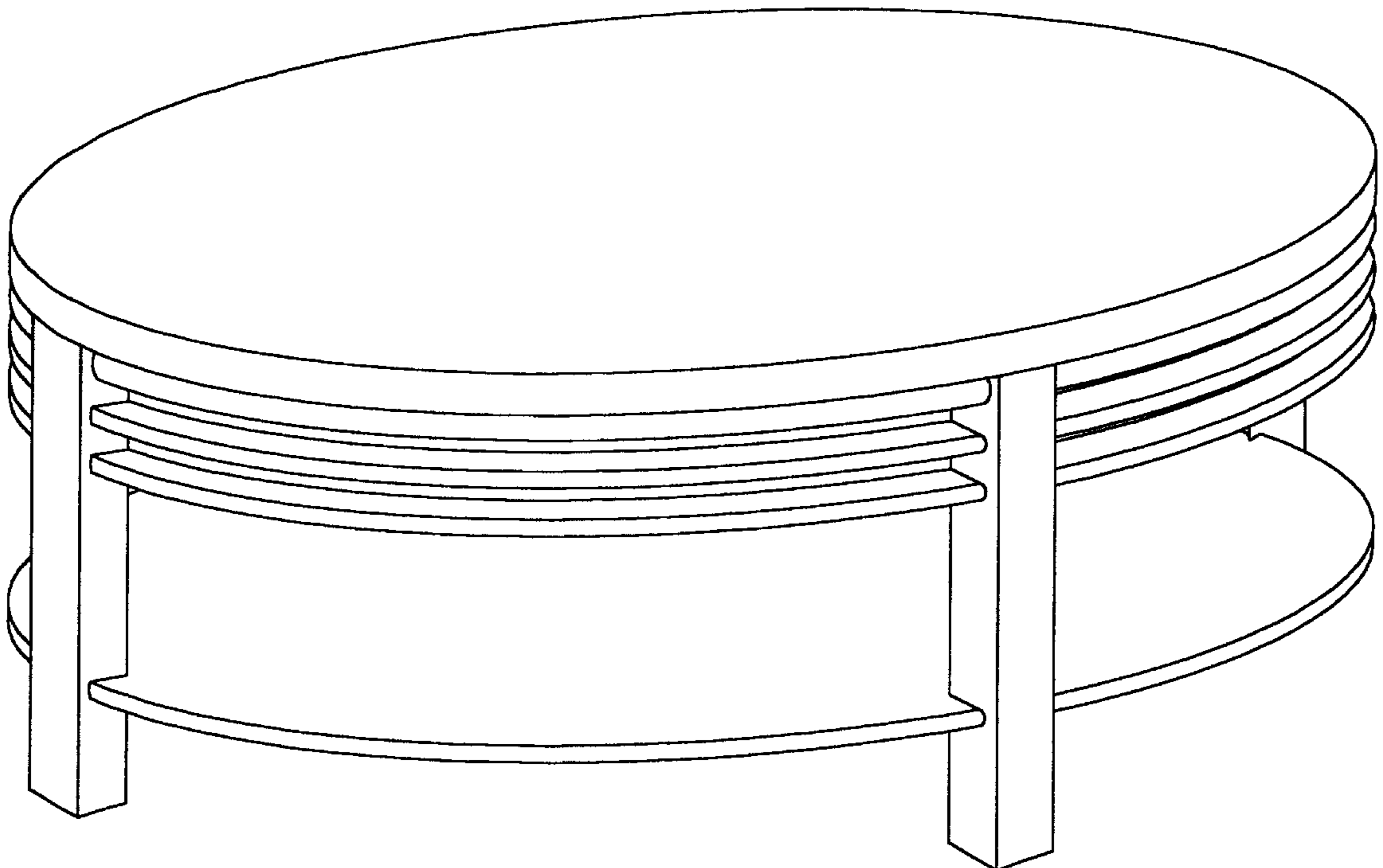
FIG. 7 is a side elevational view of the second embodiment of the table;

FIG. 8 is a top elevational view of the second embodiment of the table;

FIG. 9 is a bottom elevational view of the second embodiment of the table; and,

FIG. 10 is a front elevational view of the second embodiment of the table (the rear view being the same as the front view).

**1 Claim, 10 Drawing Sheets**



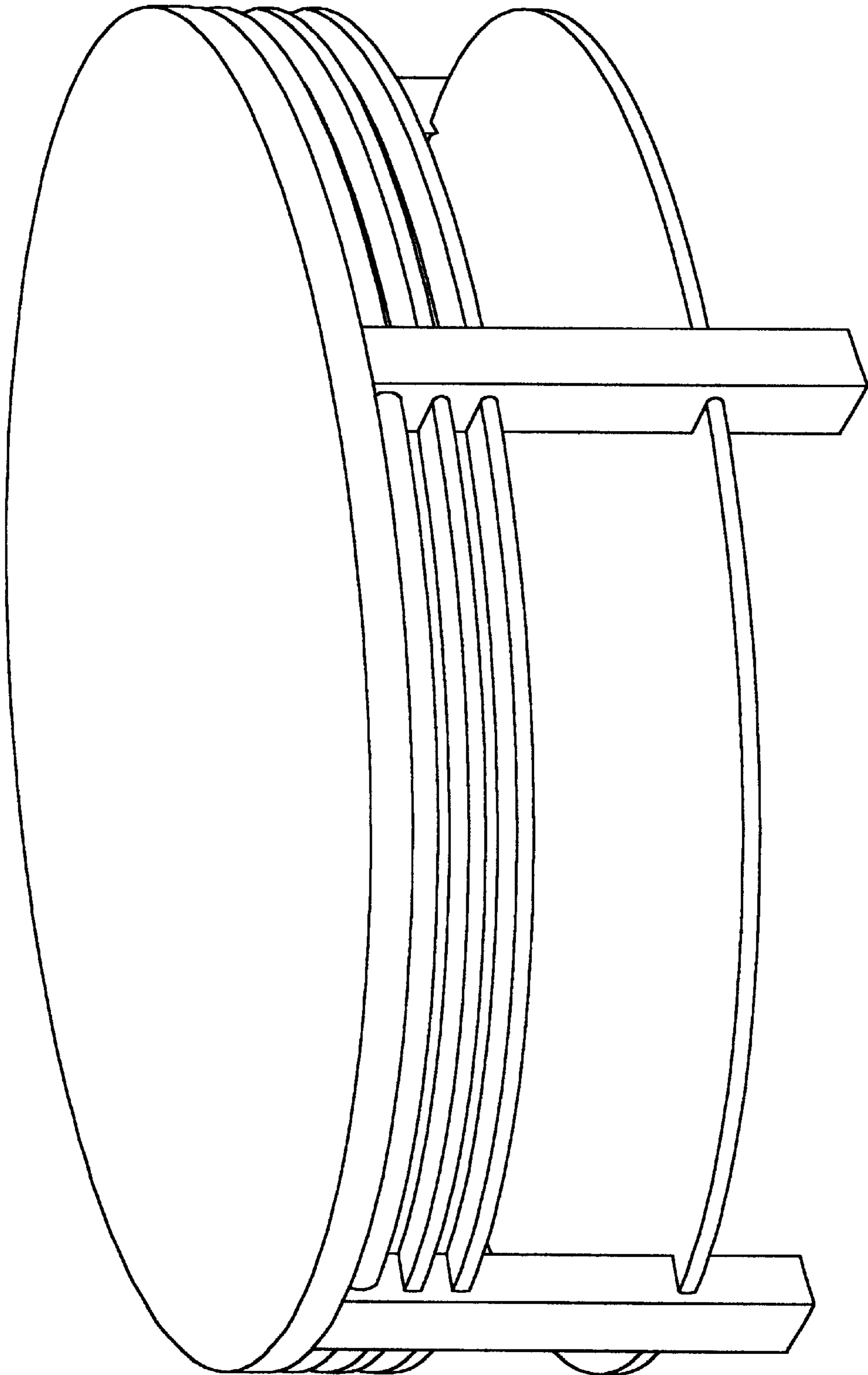


FIG. 1

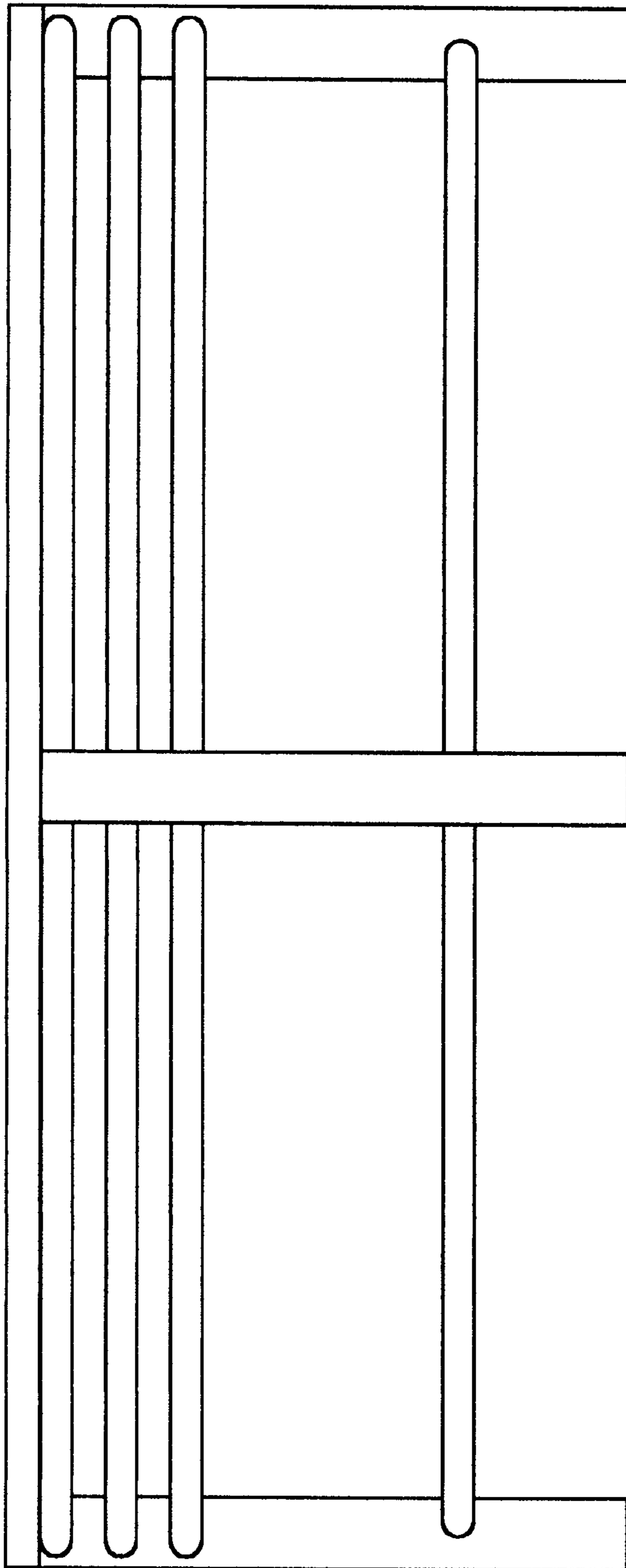


FIG. 2

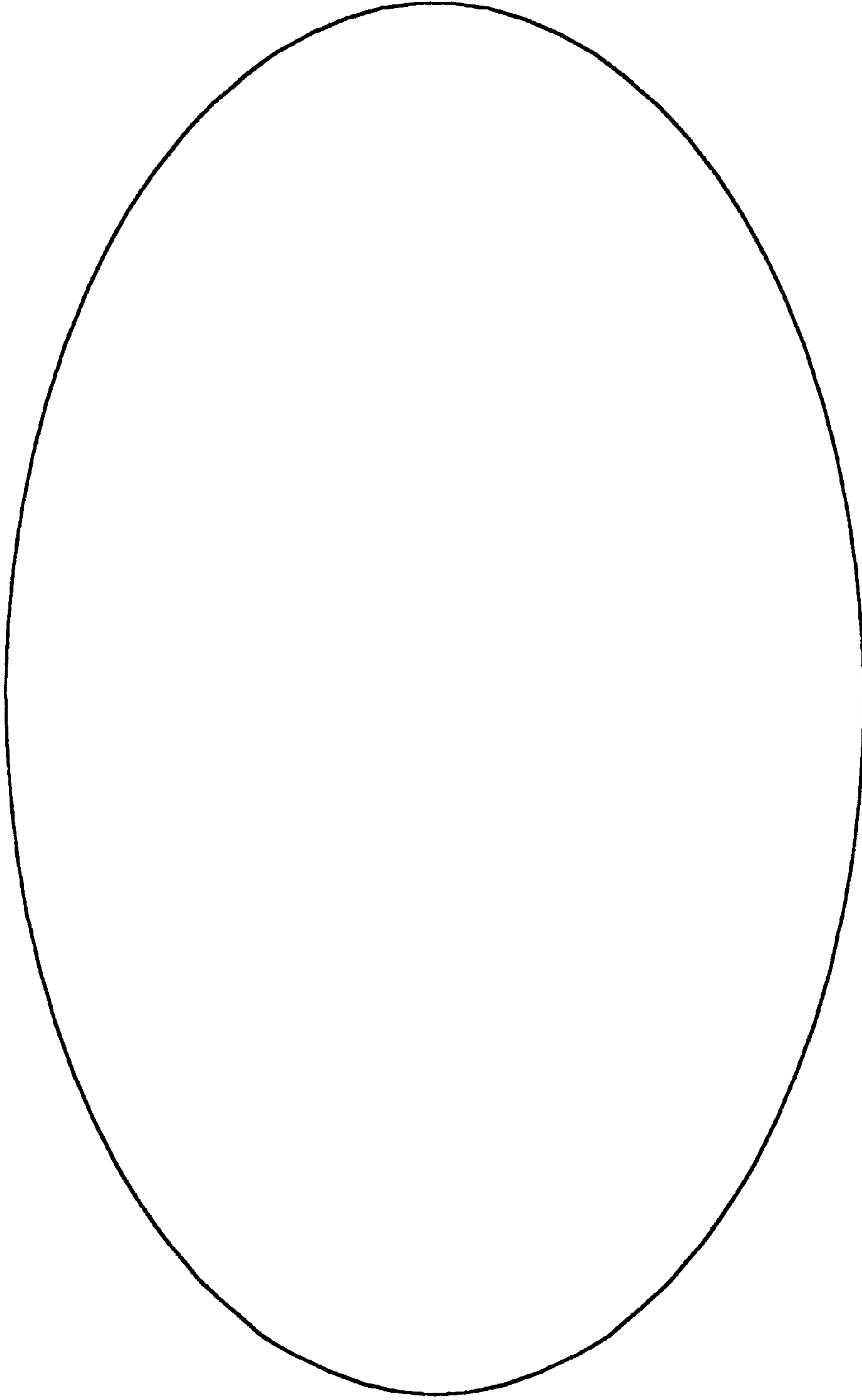


FIG. 3

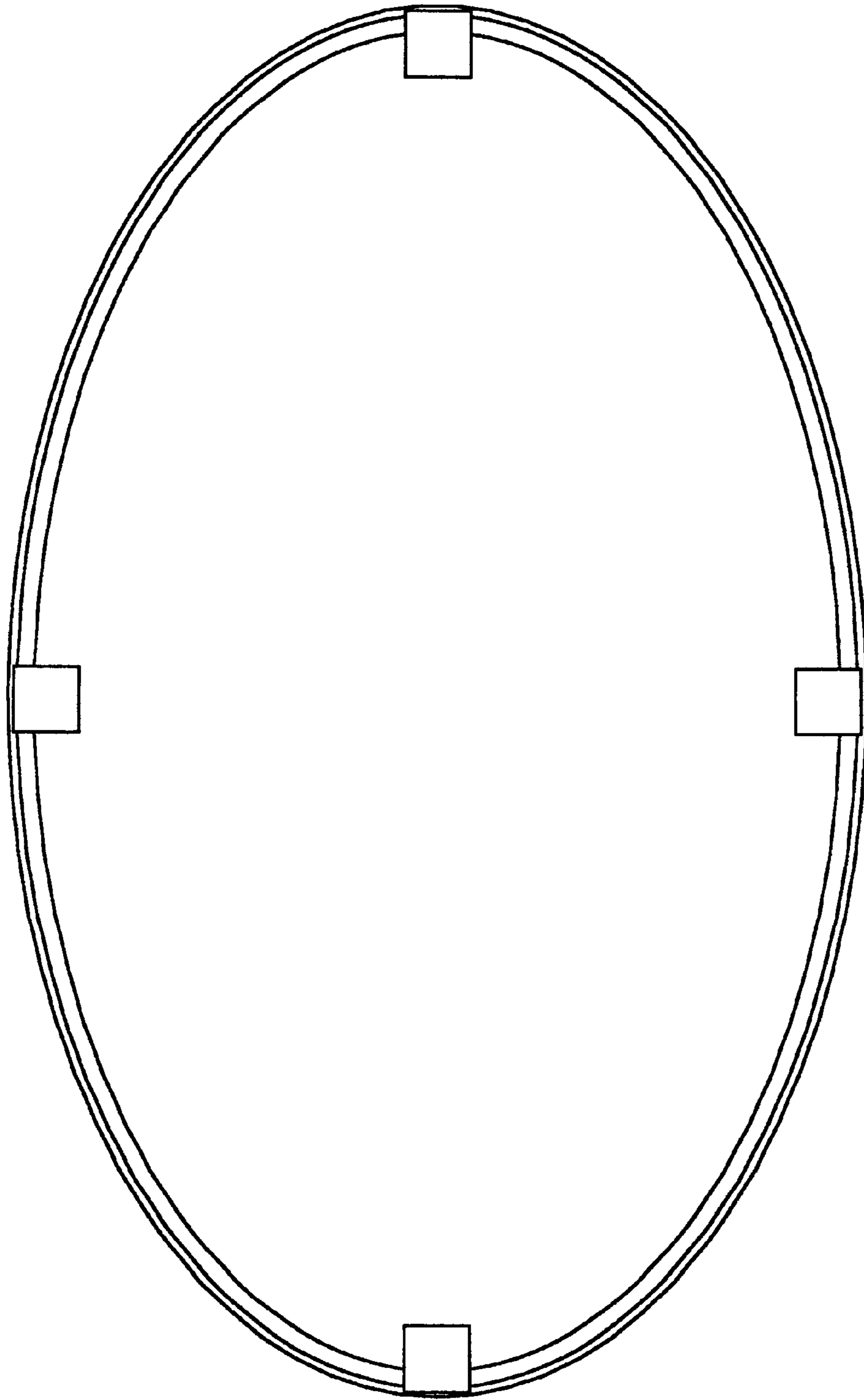


FIG. 4

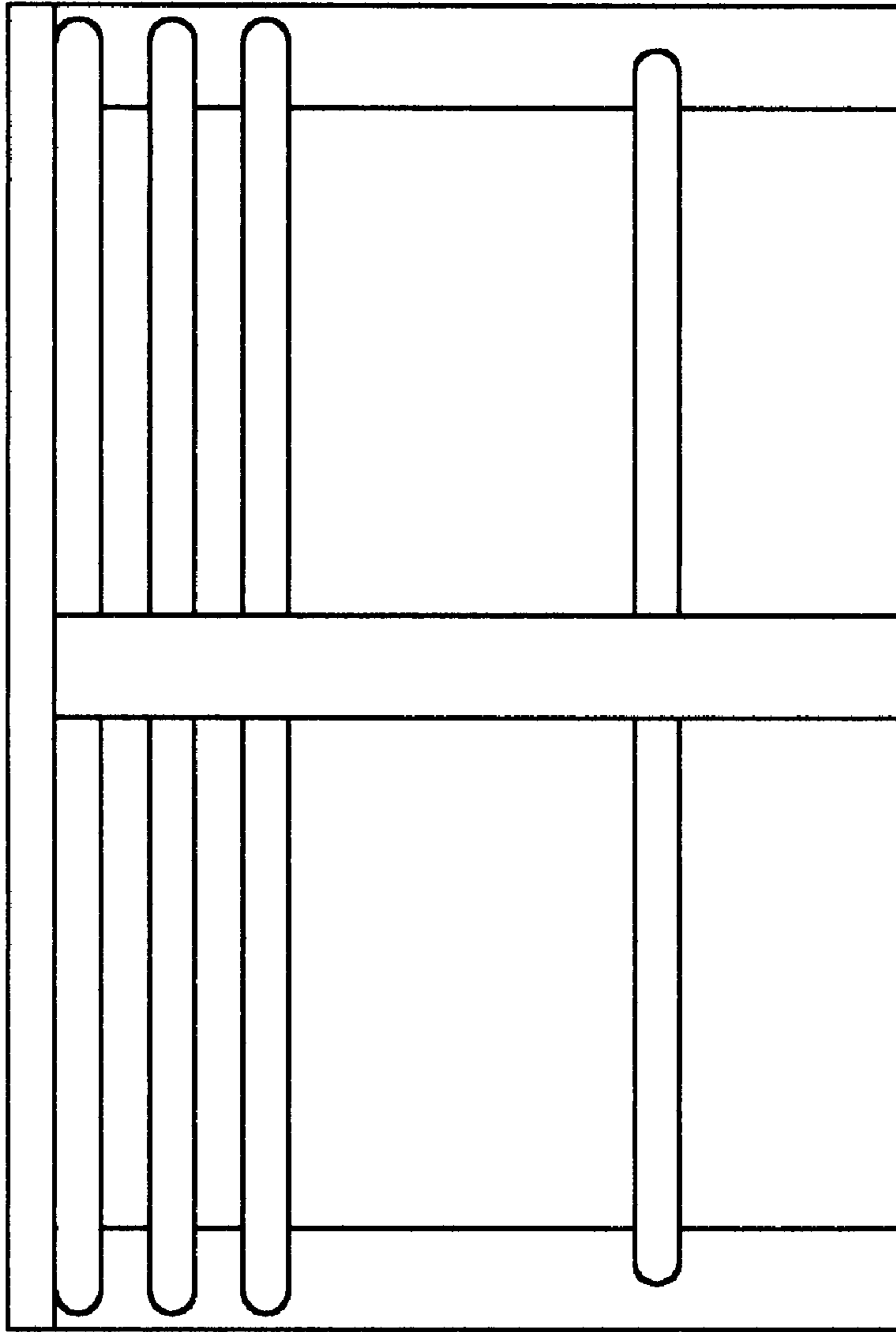


FIG. 5

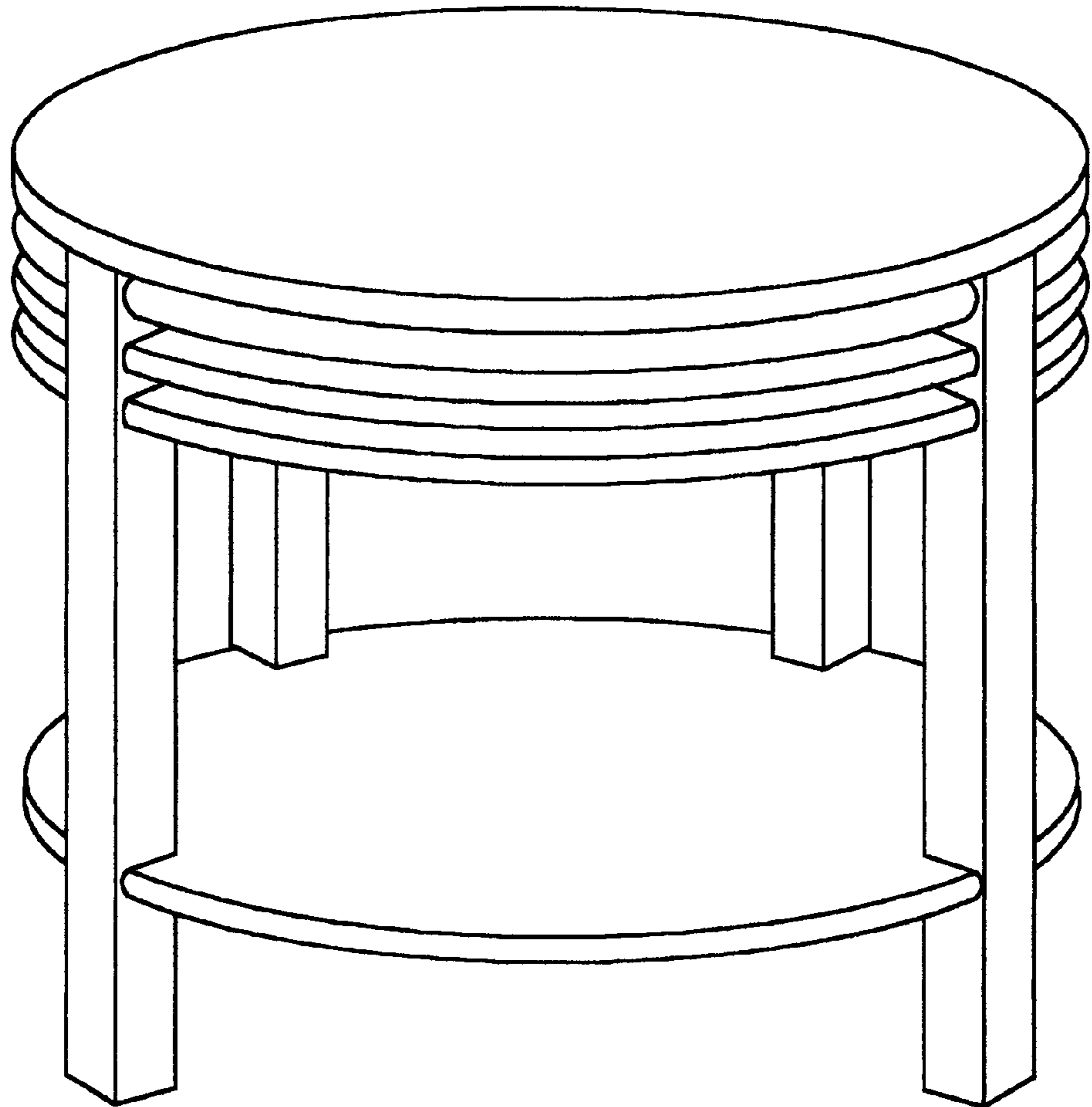


FIG. 6

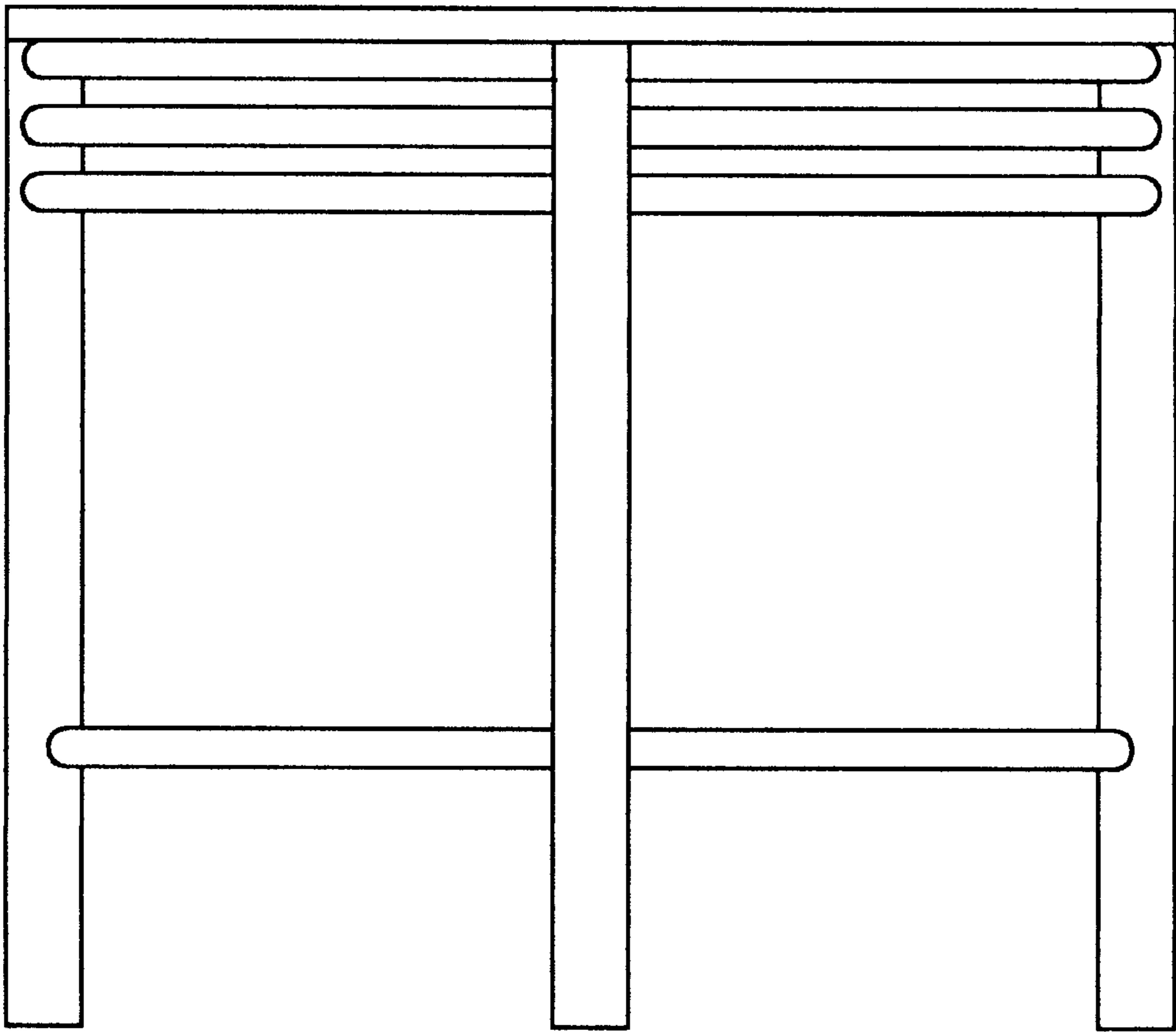
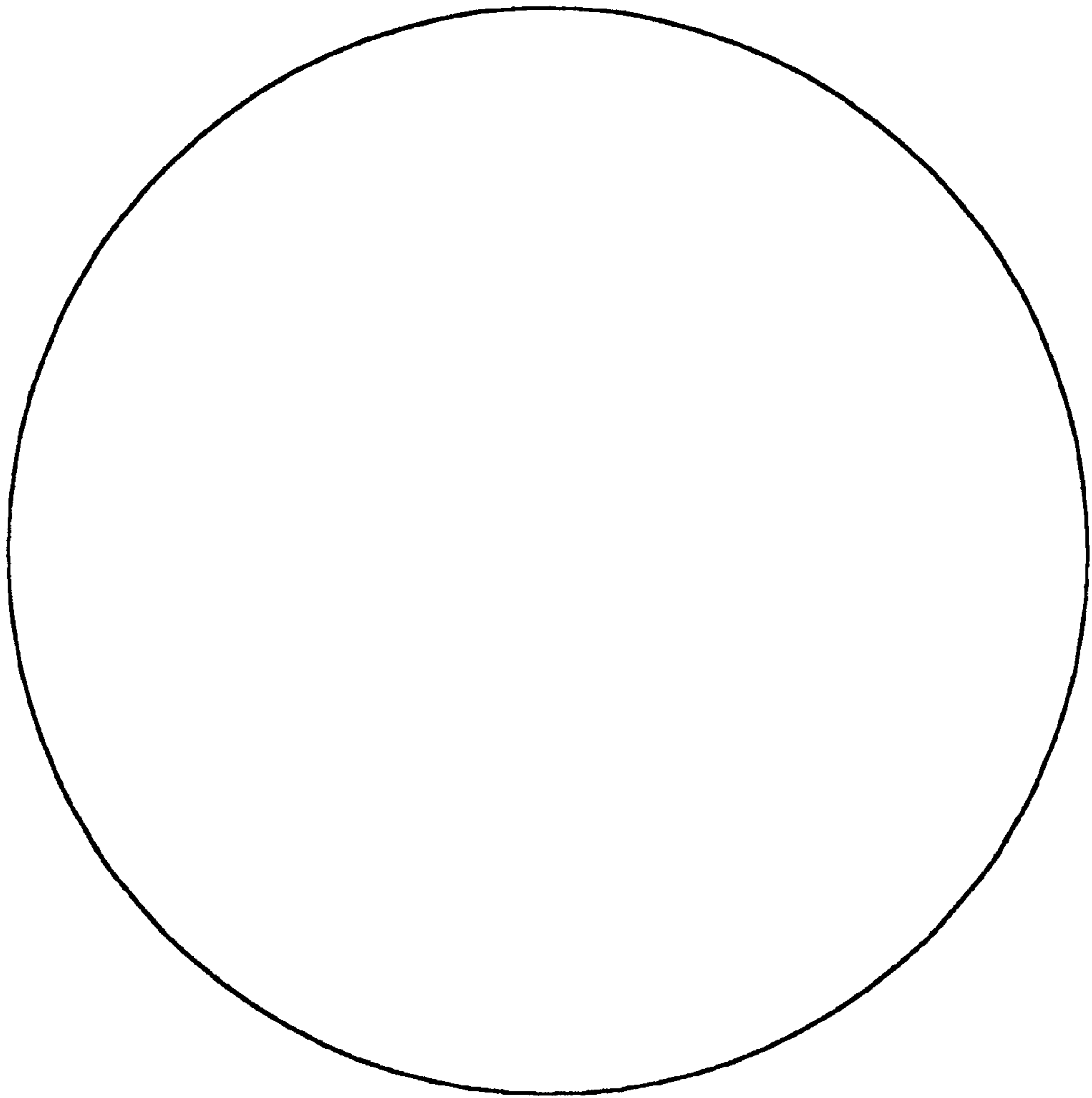


FIG. 7





**FIG. 8**

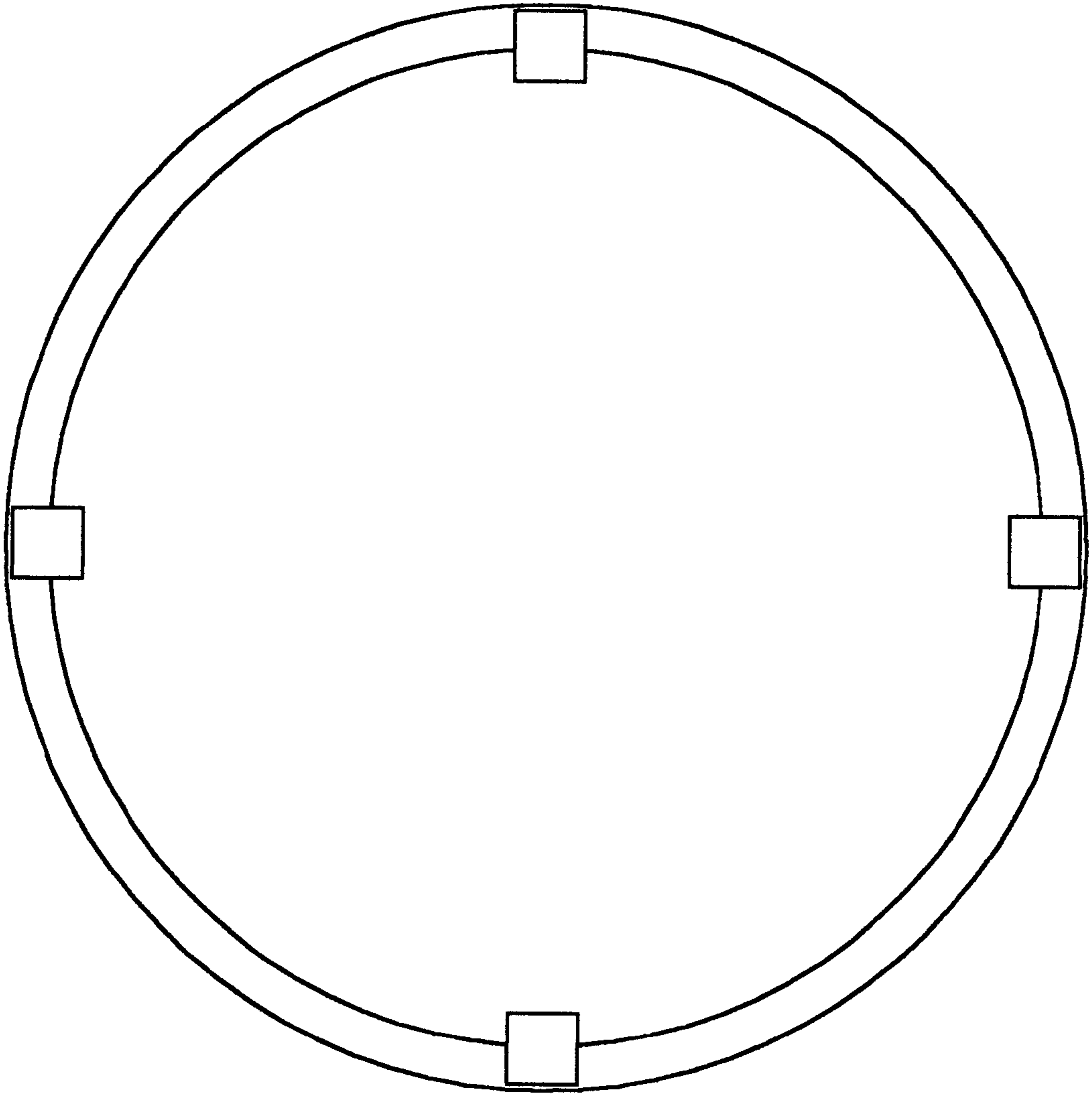


FIG. 9

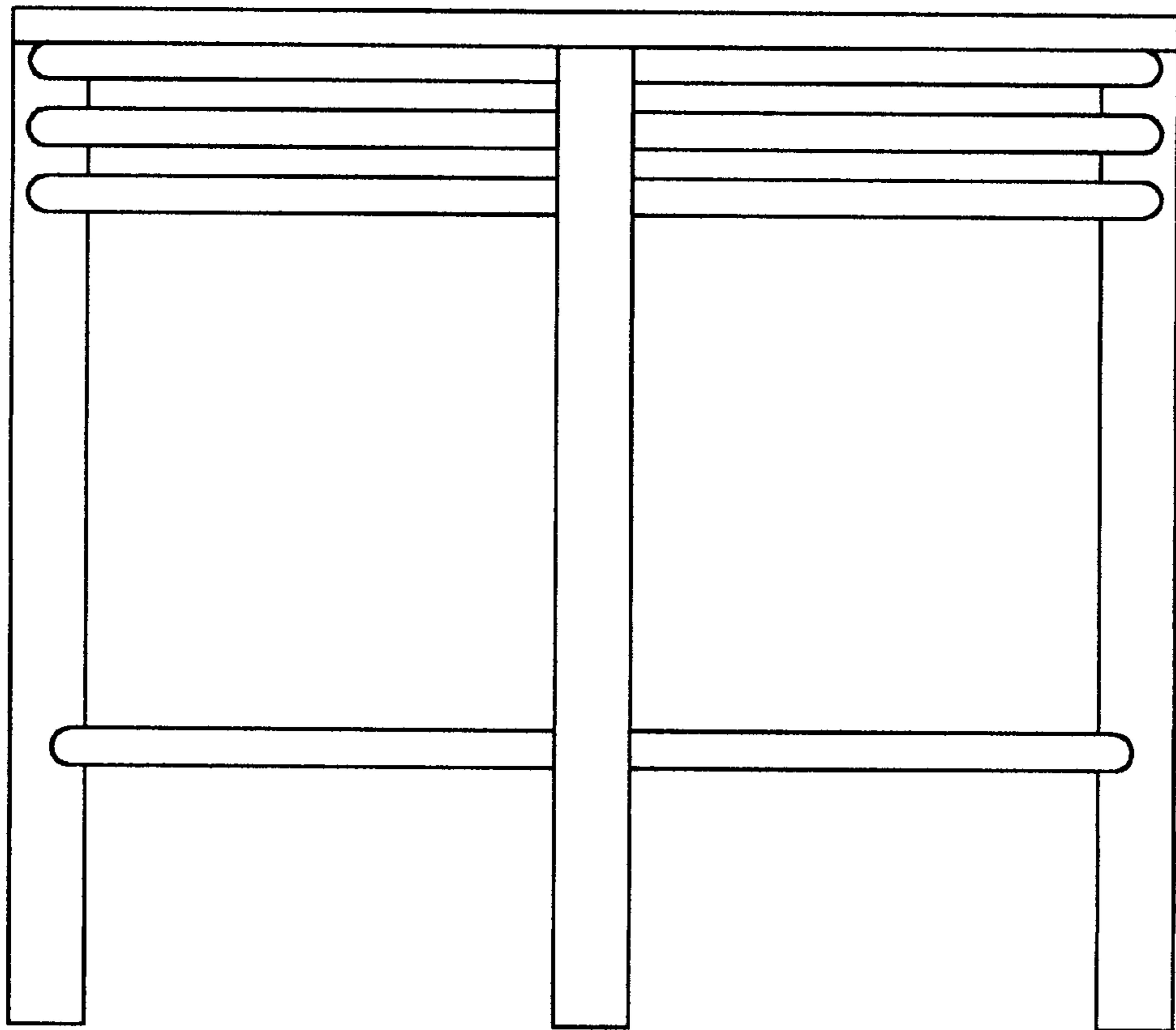


FIG. 10