



US00D452089B1

(12) **United States Design Patent**
Fritz

(10) **Patent No.:** **US D452,089 S**

(45) **Date of Patent:** **** Dec. 18, 2001**

(54) **PAINT CONTAINER HOLDER**

(76) Inventor: **Terry Fritz**, 43 Beechwood Road,
Cambridge, Ontario (CA), N1S 3S1

(**) Term: **14 Years**

(21) Appl. No.: **29/129,163**

(22) Filed: **Sep. 11, 2000**

(30) **Foreign Application Priority Data**

Mar. 14, 2000 (CA) 2000-0700

(51) **LOC (7) Cl.** **06-04**

(52) **U.S. Cl.** **D6/458; D6/462; D9/455**

(58) **Field of Search** D9/434, 455; D6/458,
D6/462, 499, 403, 487; D7/388, 704; D32/53,
54; D34/6; 248/94, 97, 99; 220/737, 743;
215/395

(56) **References Cited**

U.S. PATENT DOCUMENTS

- D. 171,557 * 2/1954 Remstein D6/462
- D. 172,550 * 7/1954 Peirce D6/458
- D. 181,164 * 10/1957 Remstein D6/458

- D. 193,957 * 10/1962 Young D6/462
- D. 277,442 * 2/1985 Crowell D6/499
- D. 280,685 * 9/1985 Whelan D6/462
- D. 281,749 * 12/1985 Murry D6/499
- D. 353,695 * 12/1994 Turner D34/5
- D. 397,261 * 8/1998 Sellers D6/403
- D. 405,290 * 2/1999 Hollinger D6/403
- D. 434,247 * 11/2000 Rosenberg D6/403
- 5,060,893 * 10/1991 Halbert 248/97
- 6,199,802 * 3/2001 Scheibe, Sr. 248/97

* cited by examiner

Primary Examiner—Cathron C. Brooks

(74) *Attorney, Agent, or Firm*—Shapiro Cohen

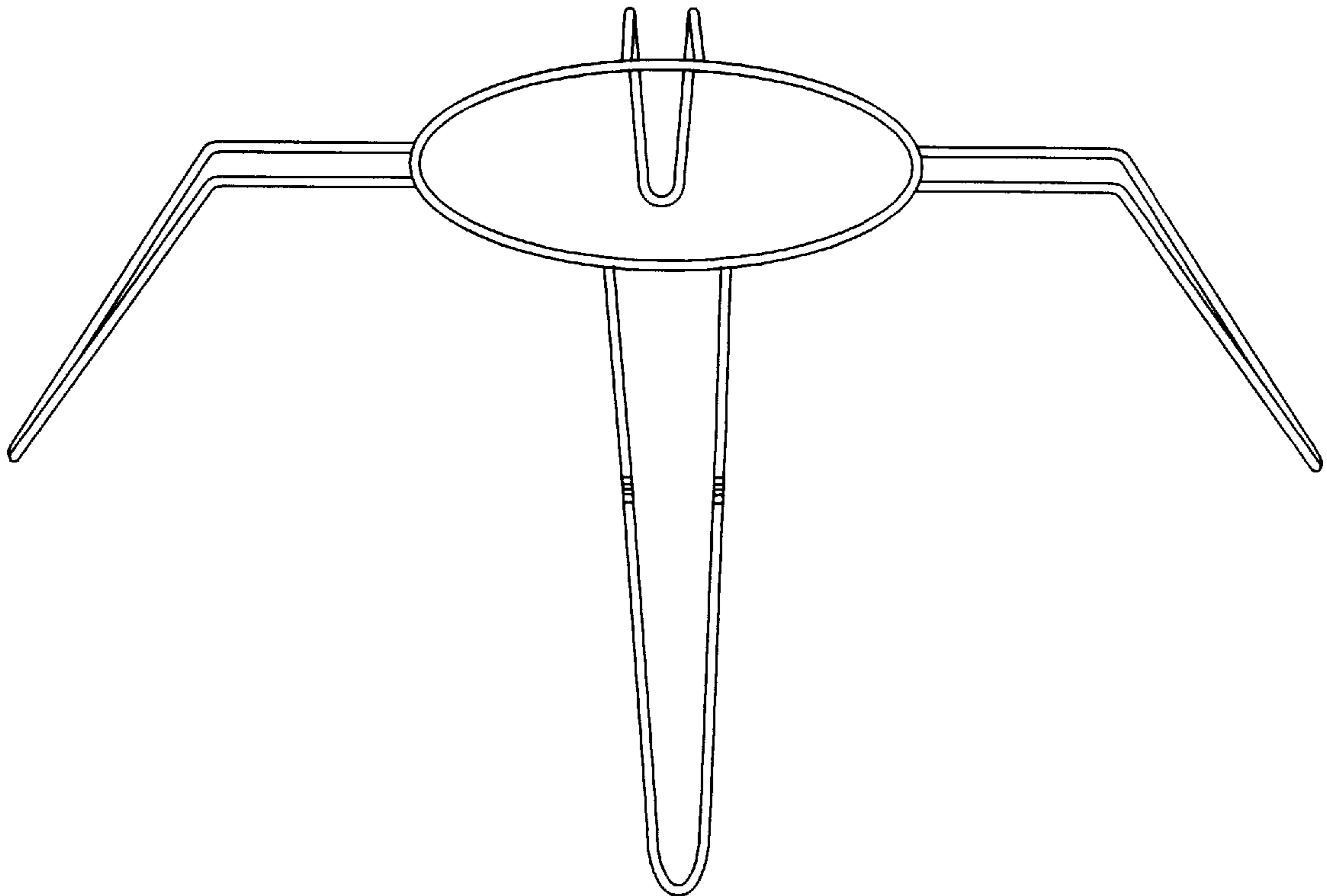
(57) **CLAIM**

The ornamental design for a paint container holder, as shown and described.

DESCRIPTION

FIG. 1 is a perspective view;
FIG. 2 is a top view;
FIG. 3 is a bottom view; and,
FIG. 4 is a side view.

1 Claim, 3 Drawing Sheets



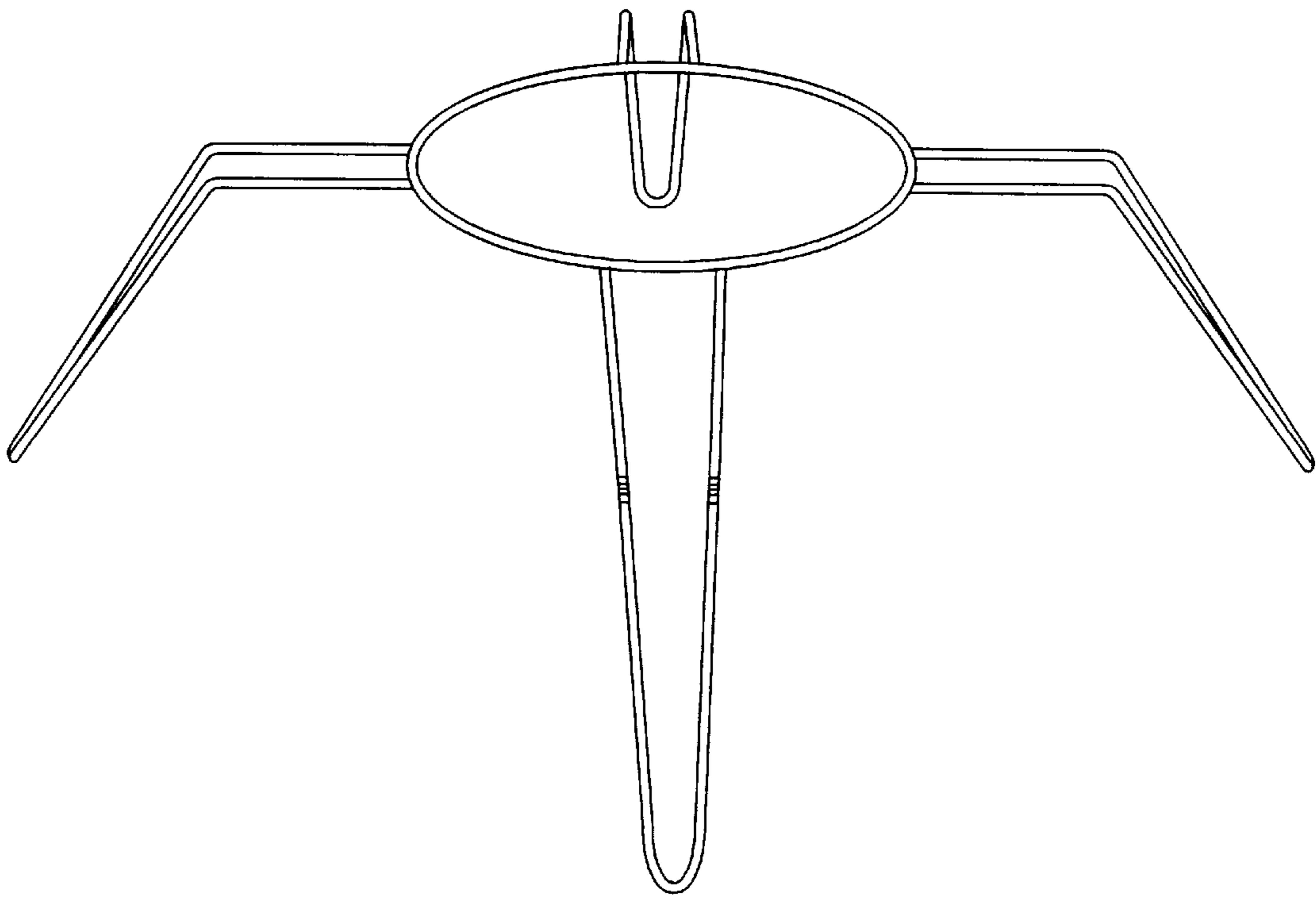


FIG. 1

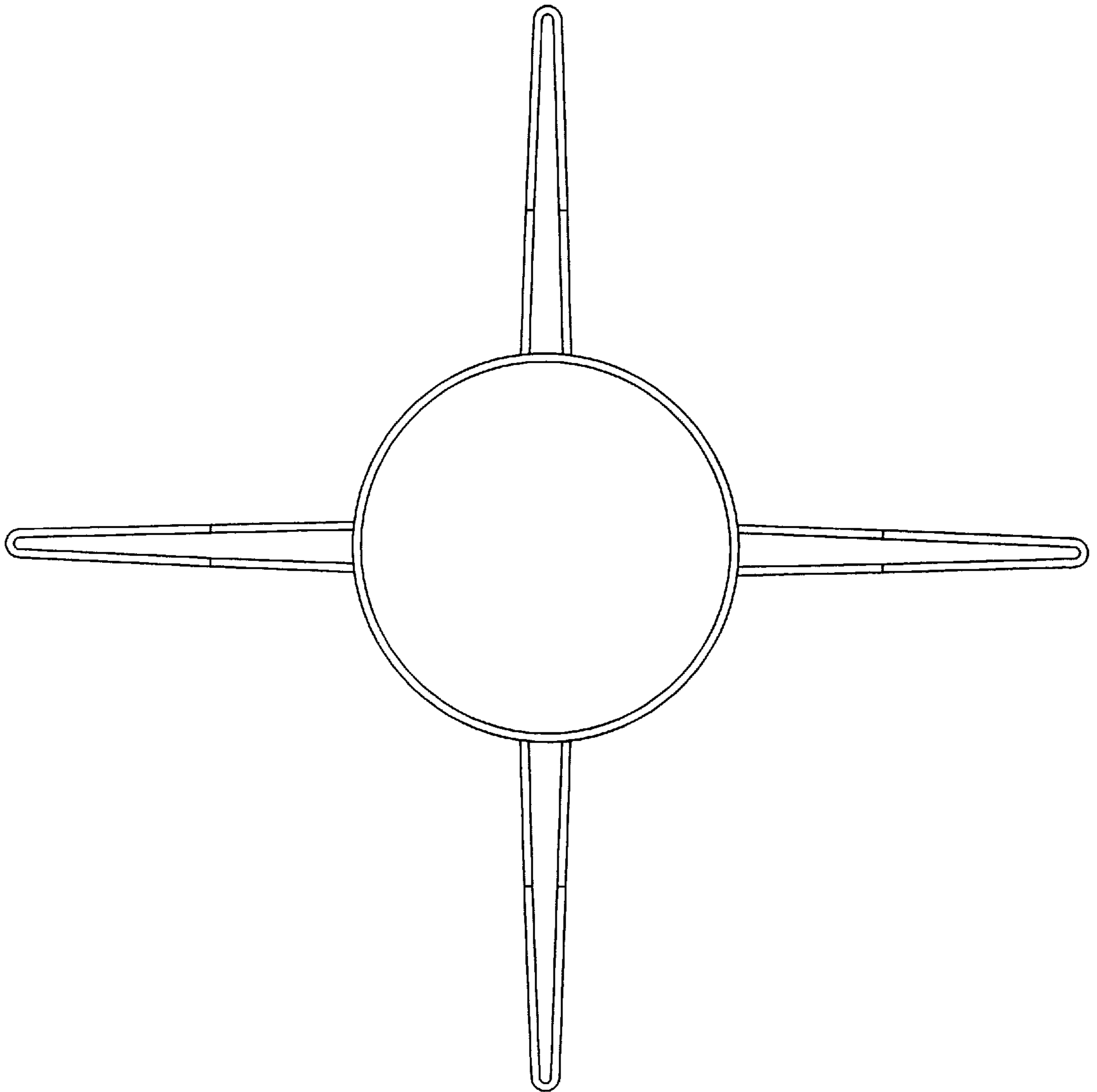


FIG. 2

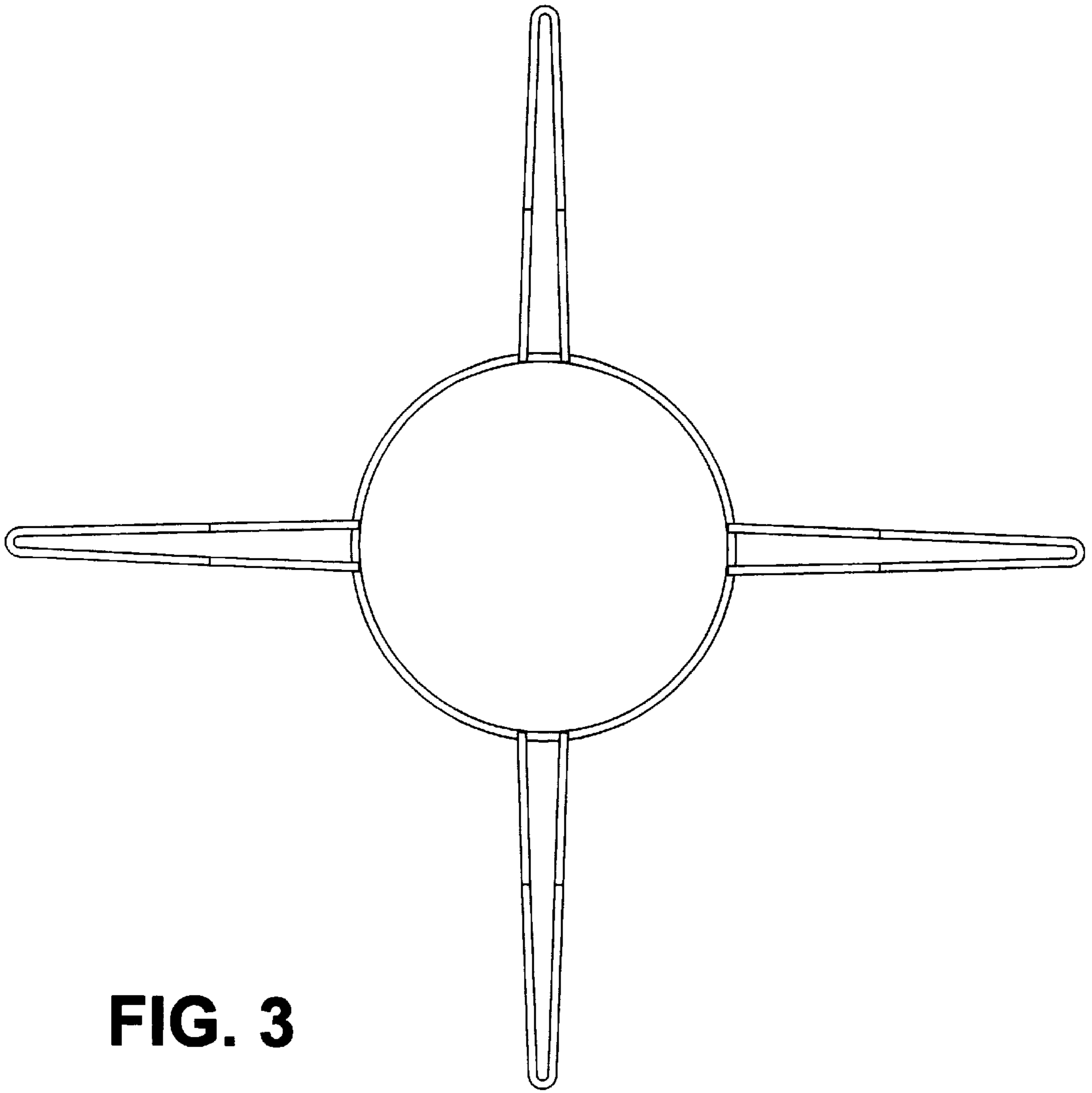


FIG. 3

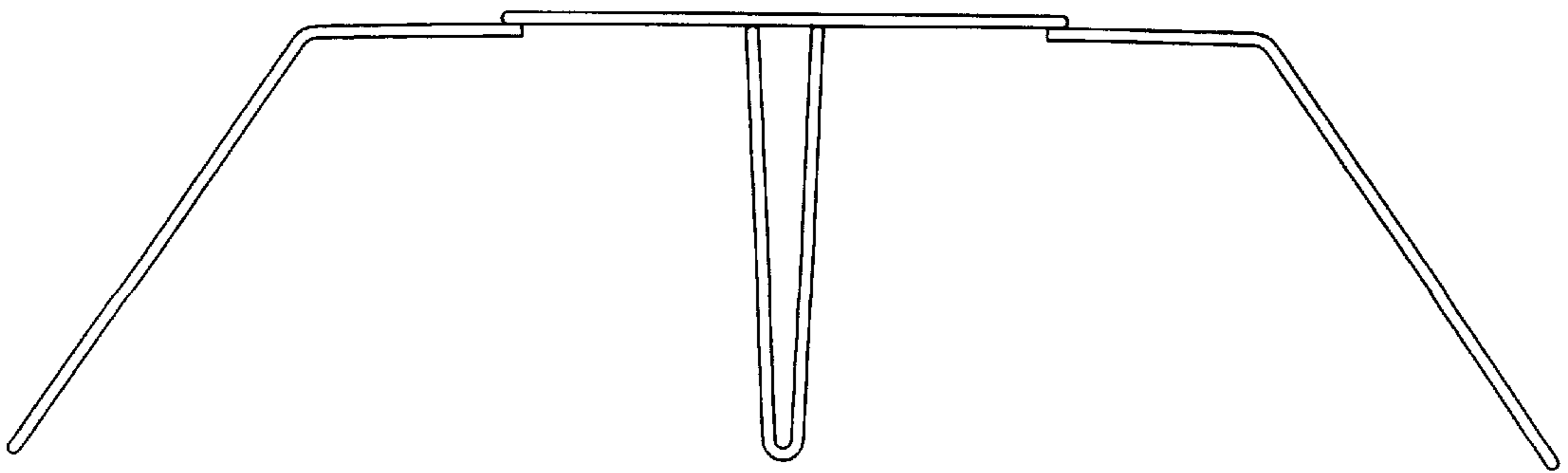


FIG. 4