



US00D452081B1

(12) **United States Design Patent**
Rowan

(10) **Patent No.:** **US D452,081 S**

(45) **Date of Patent:** **** Dec. 18, 2001**

(54) **PICTURE FRAME**

(75) Inventor: **Paul Rowan**, Toronto (CA)

(73) Assignee: **Umbra, Inc.**, Buffalo, NY (US)

(**) Term: **14 Years**

(21) Appl. No.: **29/135,217**

(22) Filed: **Jan. 8, 2001**

(51) **LOC (7) Cl.** **06-07**

(52) **U.S. Cl.** **D6/300**

(58) **Field of Search** D6/300-314; 40/700,
40/711, 714, 720, 722, 724, 735, 745, 748-752,
780, 790, 778, 661, 662

(56) **References Cited**

U.S. PATENT DOCUMENTS

D. 343,065	*	1/1994	Barbieri	D6/310
2,410,989	*	11/1946	Mevi	40/756
3,665,628	*	5/1972	Dammond	40/792
4,187,630	*	2/1980	Giulie et al.	40/790

* cited by examiner

Primary Examiner—Janice E. Seeger

(74) *Attorney, Agent, or Firm*—SAIDMAN DesignLaw Group

(57) **CLAIM**

The ornamental design for a picture frame, as shown and described.

DESCRIPTION

FIG. 1 is a perspective view of a picture frame showing my new design;

FIG. 2 is a front view thereof;

FIG. 3 is a right side view thereof, the left side view being a mirror image;

FIG. 4 is a top view thereof, the bottom view being a mirror image;

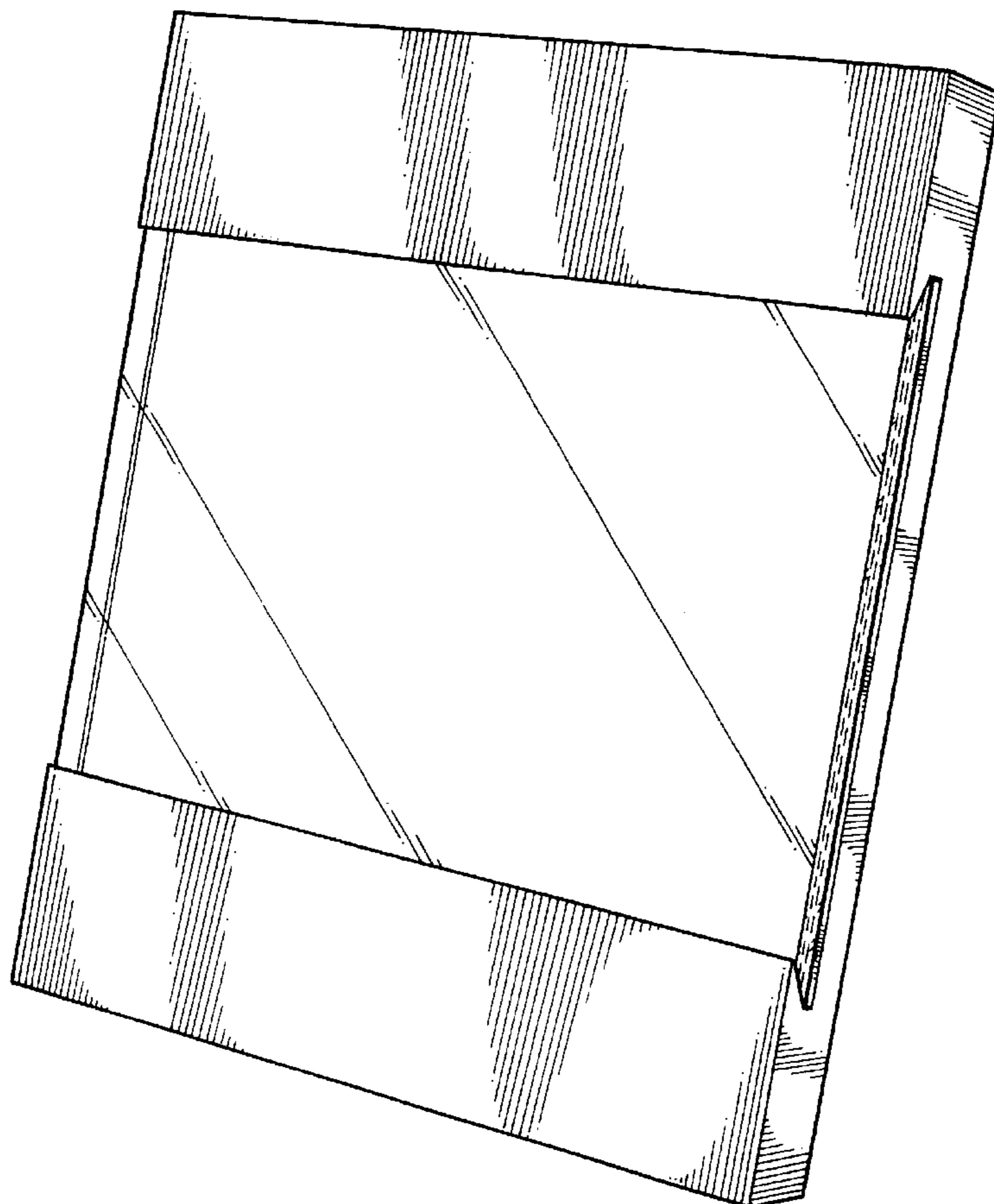
FIG. 5 is a perspective view of a second embodiment of my design; and,

FIG. 6 is perspective view of a third embodiment of my design.

The rear view is omitted and forms no part of the claimed design.

The dashed lines in FIGS. 1, 3, 5, and 6 are shown for environmental purposes only and form no part of the claimed design.

1 Claim, 6 Drawing Sheets



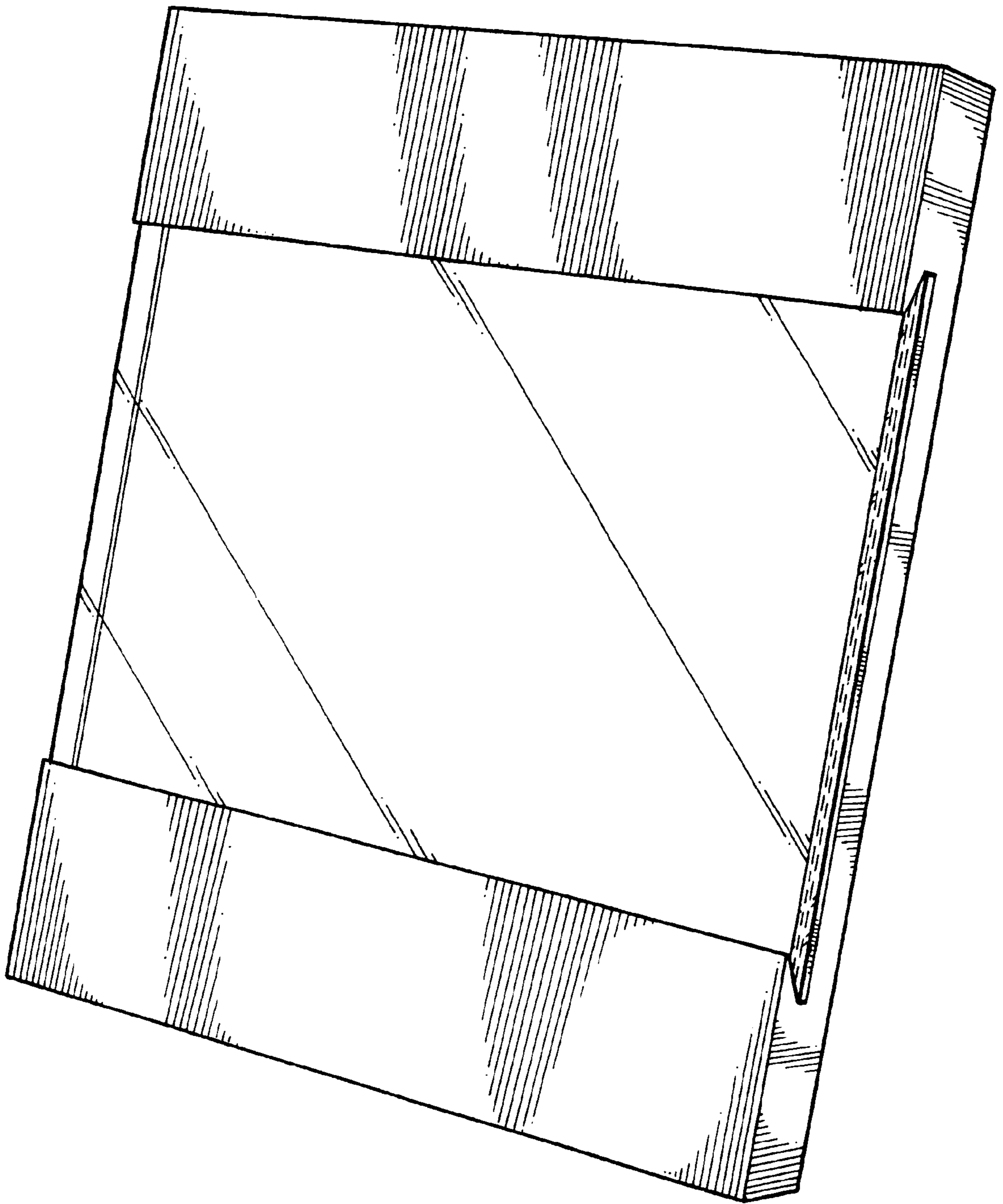


FIG.1

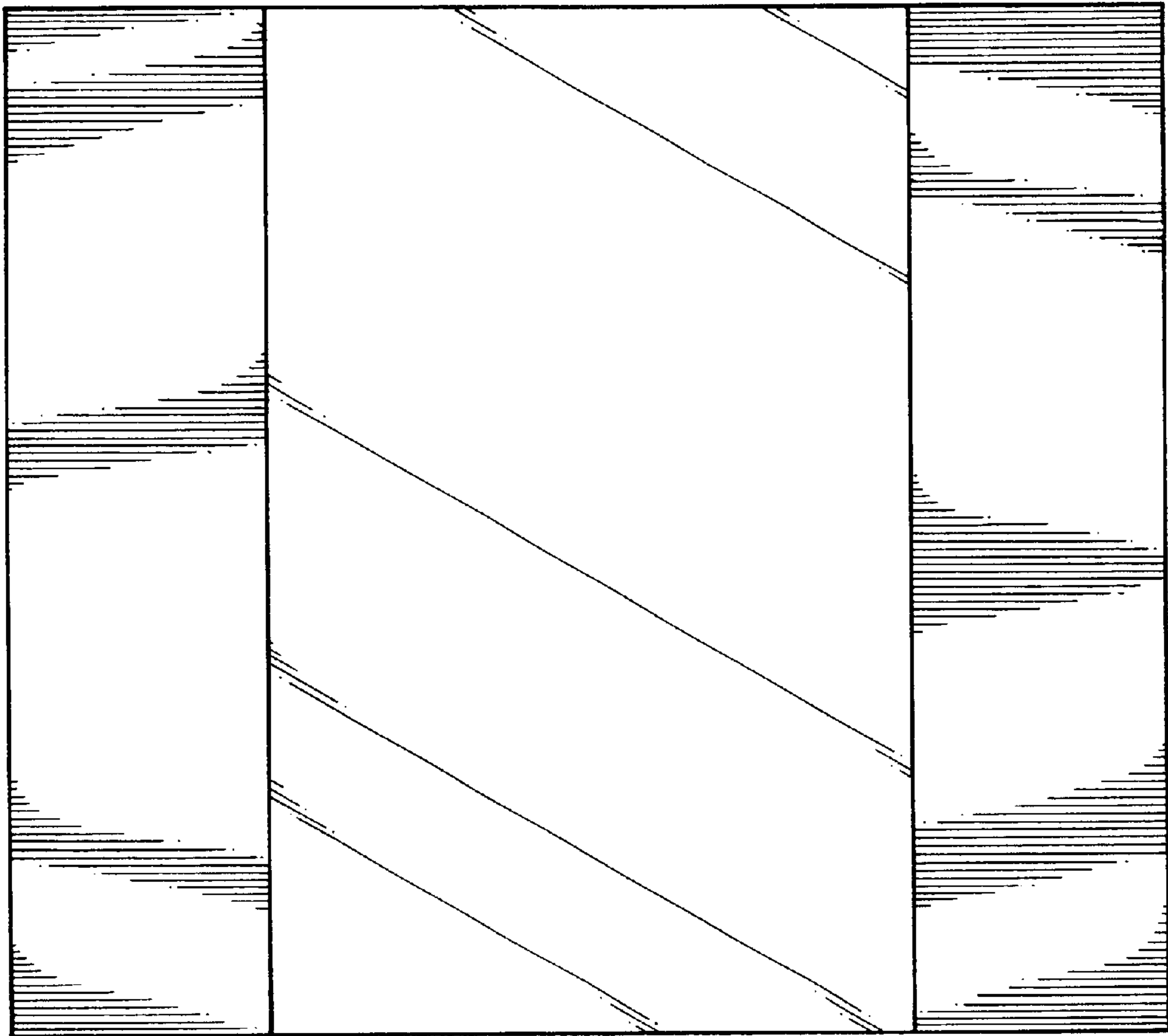


FIG.2

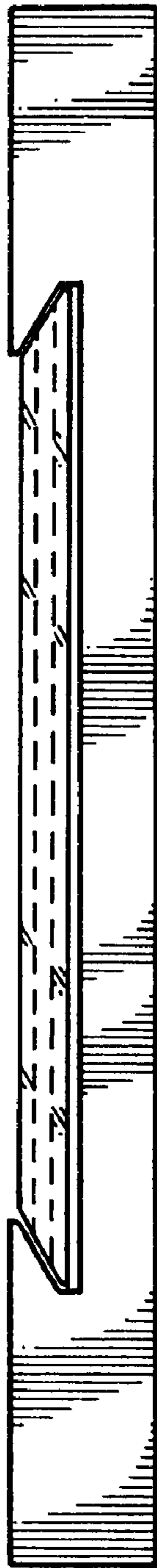


FIG.3

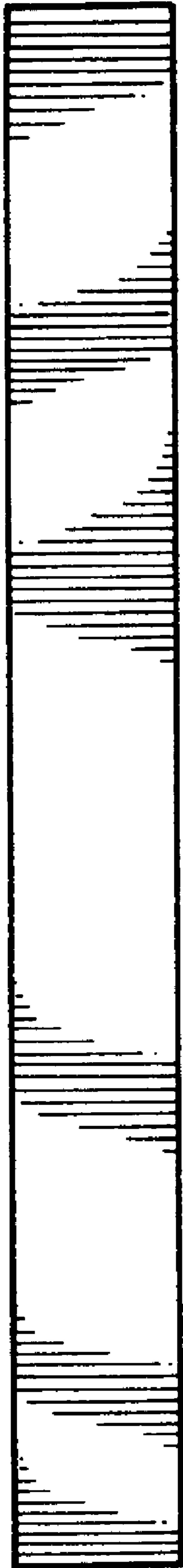


FIG.4

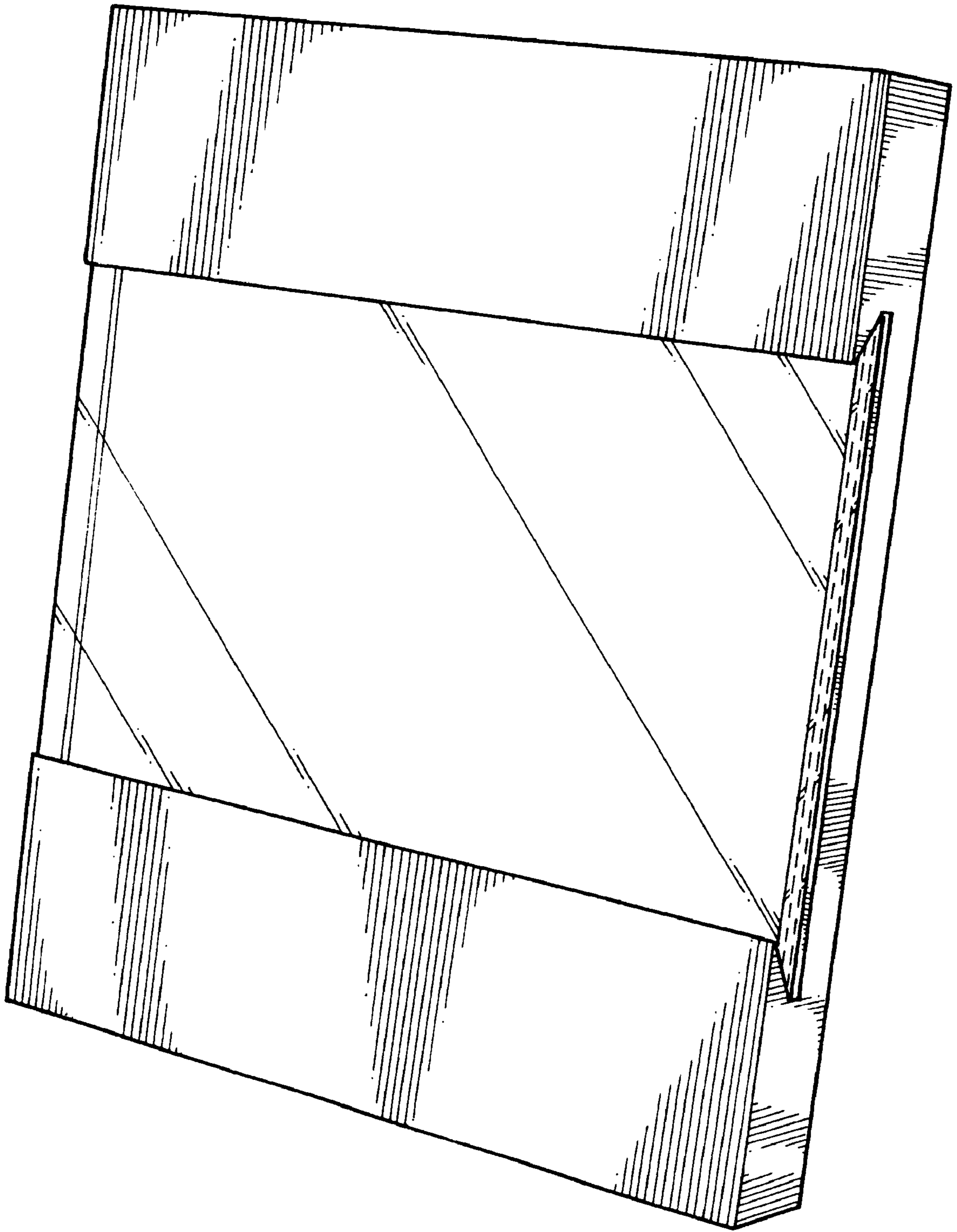


FIG.5

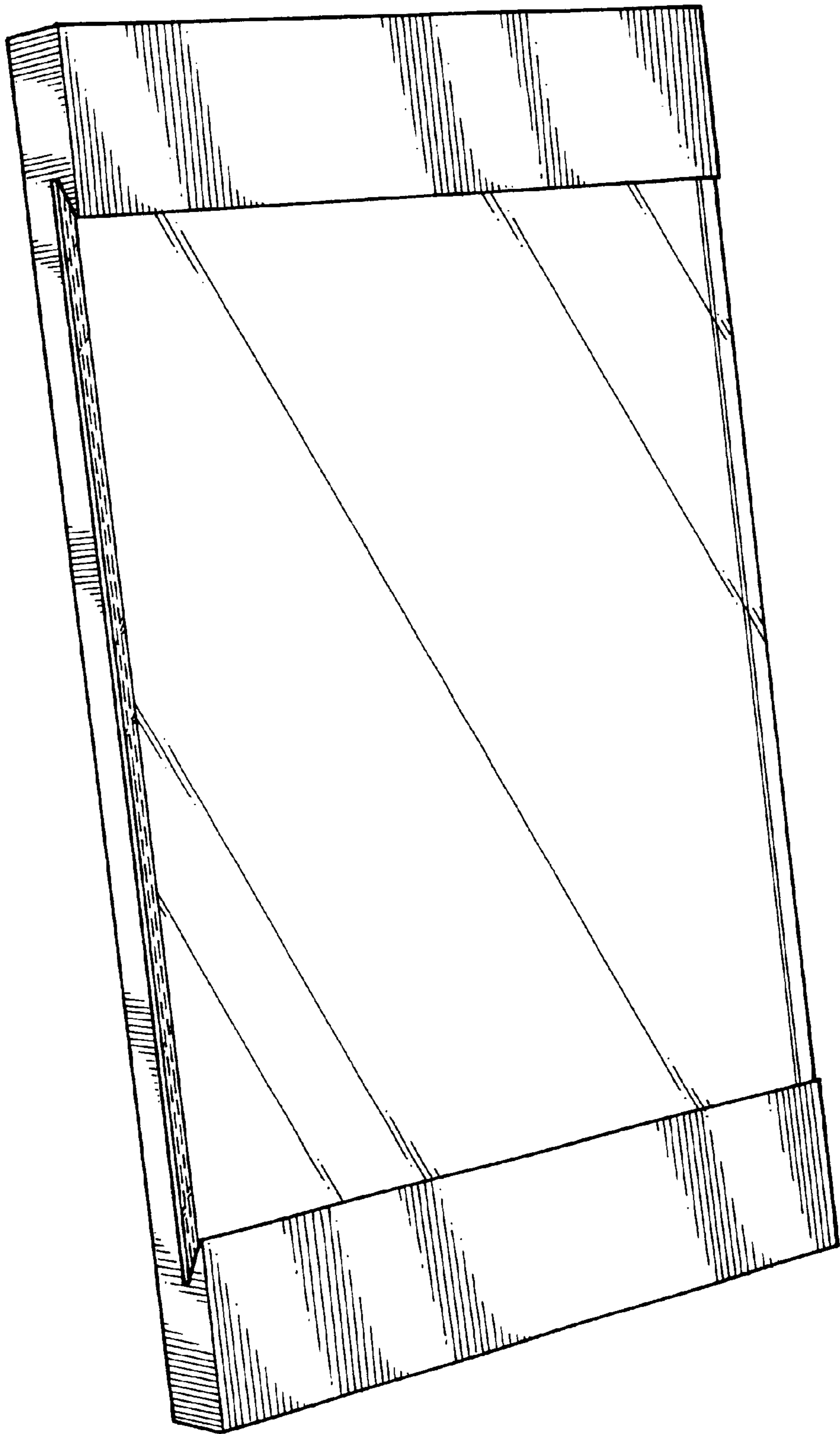


FIG.6