



US00D452078B1

(12) **United States Design Patent**
Dembicks

(10) **Patent No.:** **US D452,078 S**

(45) **Date of Patent:** **** *Dec. 18, 2001**

(54) **TEN COMPARTMENT TRAY**

4,887,790 12/1989 Wilkinson et al. .

5,753,456 5/1998 Naqui et al. .

6,119,862 * 9/2000 Childress 206/557

(75) Inventor: **Tyler J. Dembicks**, Raleigh, NC (US)

(73) Assignee: **Andrews Toolworks, Inc.**, Raleigh, NC (US)

* cited by examiner

Primary Examiner—Catherine R. Oliver

(74) *Attorney, Agent, or Firm*—Akerman Senterfitt

(*) Notice: This patent is subject to a terminal disclaimer.

(57) **CLAIM**

(**) Term: **14 Years**

The ornamental design for a ten compartment tray, as shown and described.

(21) Appl. No.: **29/127,522**

DESCRIPTION

(22) Filed: **Aug. 8, 2000**

FIG. 1 is a perspective view of the ten compartment tray according to the subject invention.

(51) **LOC (7) Cl.** **03-01**

FIG. 2 is a rear view of the ten compartment tray in FIG. 1.

(52) **U.S. Cl.** **D3/313**

FIG. 3 is a front view of the ten compartment tray in FIG. 1.

(58) **Field of Search** D3/303–315, 203, D3/201; D15/90; 206/561, 557; D7/553.1; D9/347, 341

FIG. 4 is a sectional view of the ten compartment tray taken along line 4—4 in FIG. 1.

FIG. 5 is a top view of the ten compartment tray in FIG. 1.

FIG. 6 is a bottom view of the ten compartment tray in FIG. 1.

FIG. 7 is a left side view of the ten compartment tray in FIG. 1.

FIG. 8 is a right side view of the ten compartment tray in FIG. 1; and,

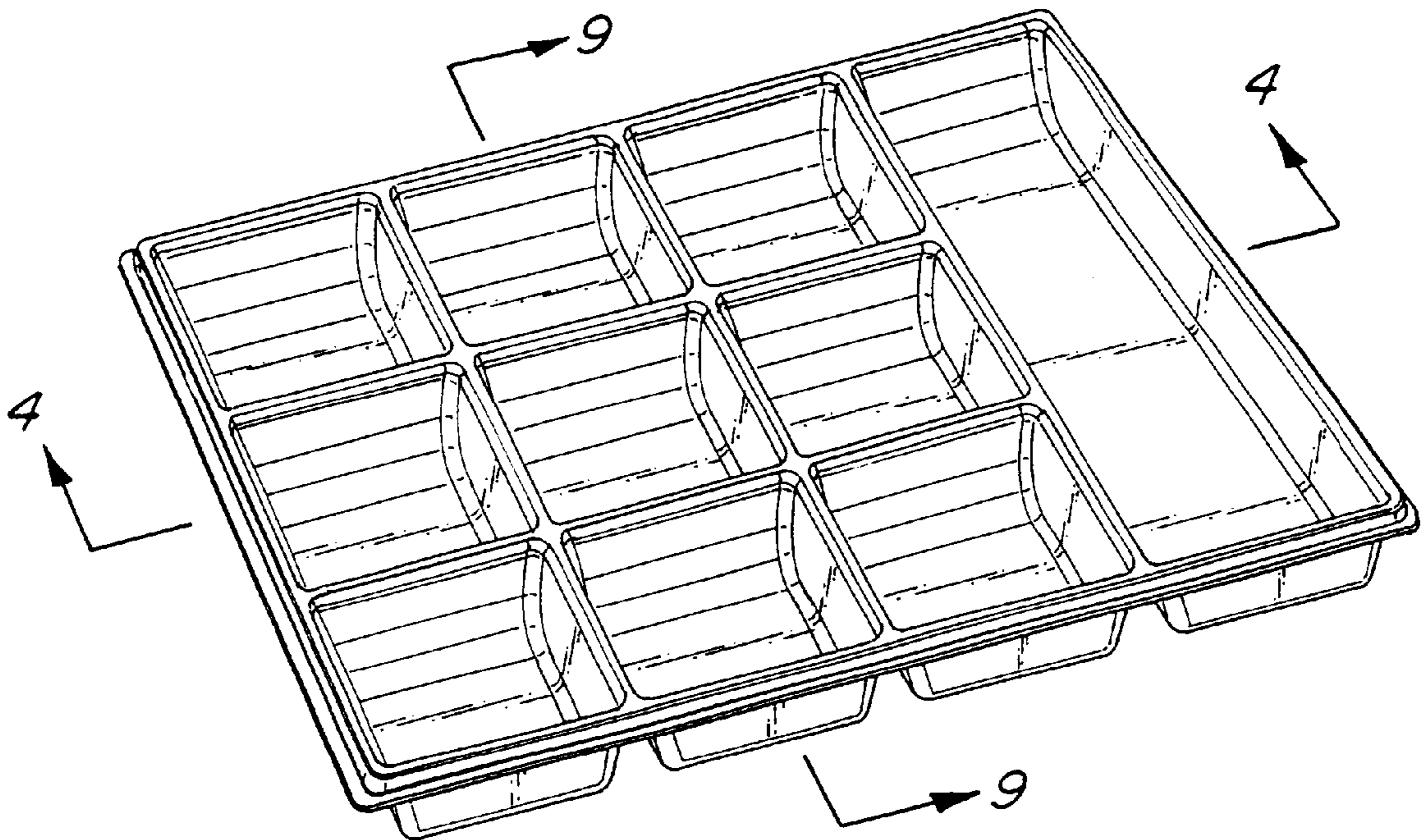
FIG. 9 is a sectional view of the ten compartment tray taken along line 9—9 in FIG. 1.

(56) **References Cited**

U.S. PATENT DOCUMENTS

- D. 242,654 * 12/1976 Rawls D9/347
- D. 278,255 4/1985 Evenson .
- D. 321,074 10/1991 Eby .
- 1,868,070 * 7/1932 Newman D15/90 X
- 2,162,162 6/1939 Murguiondo .
- 2,313,394 3/1943 Norris .
- 2,731,270 * 1/1956 Schulz 206/561
- 3,502,241 * 3/1970 Smith 206/561
- 4,872,559 10/1989 Schoon .

1 Claim, 2 Drawing Sheets



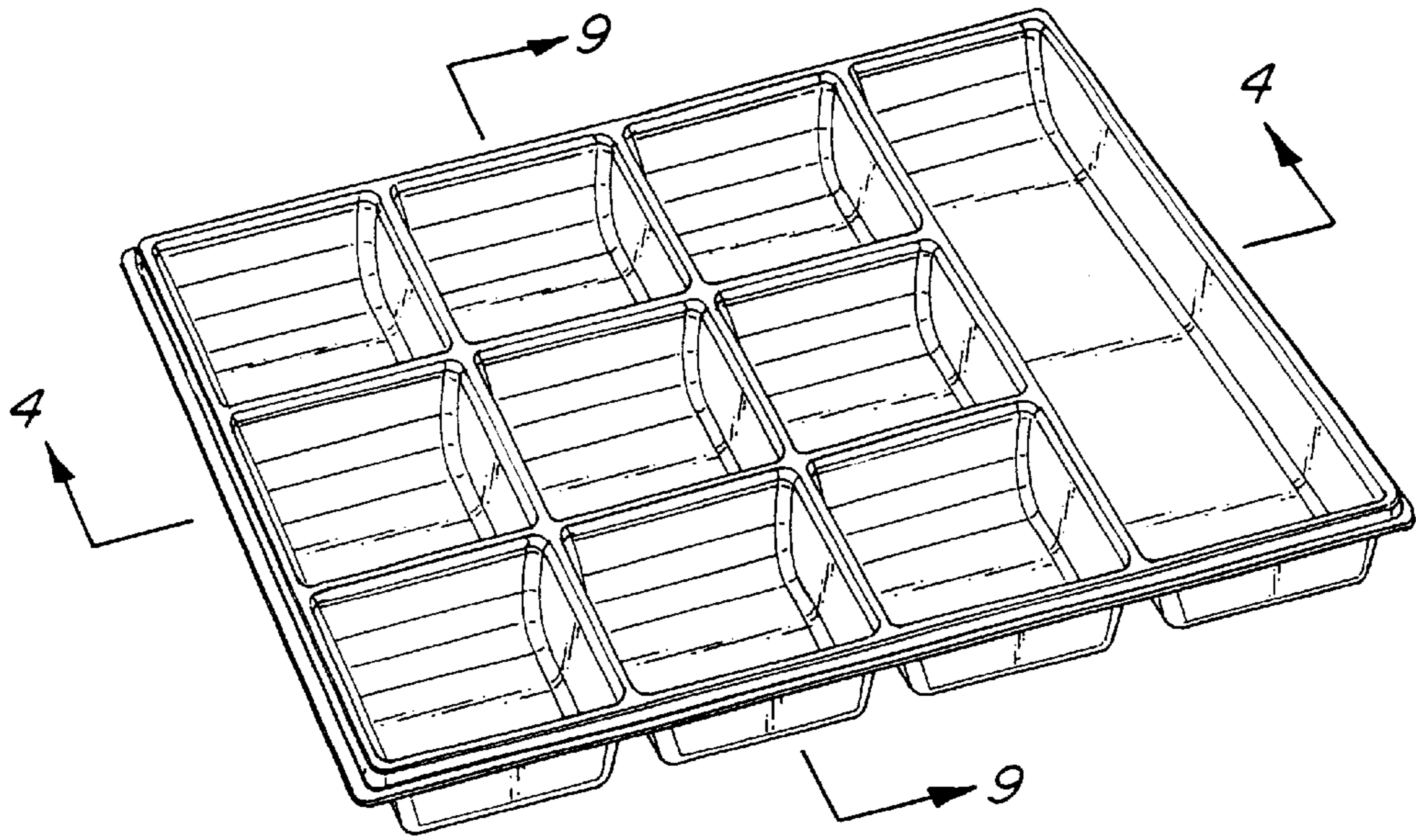


FIG. 1



FIG. 2



FIG. 3



FIG. 4

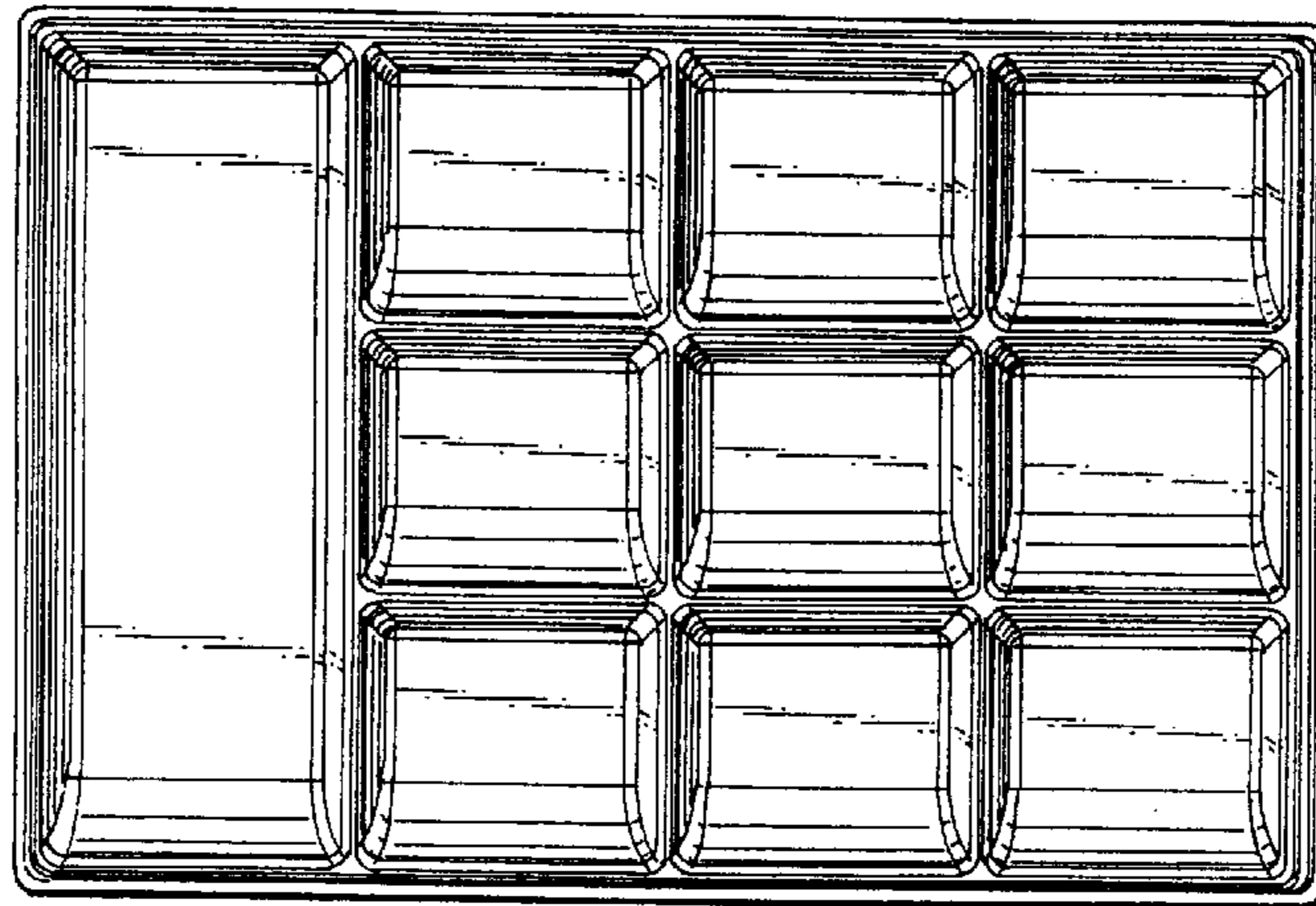


FIG. 5

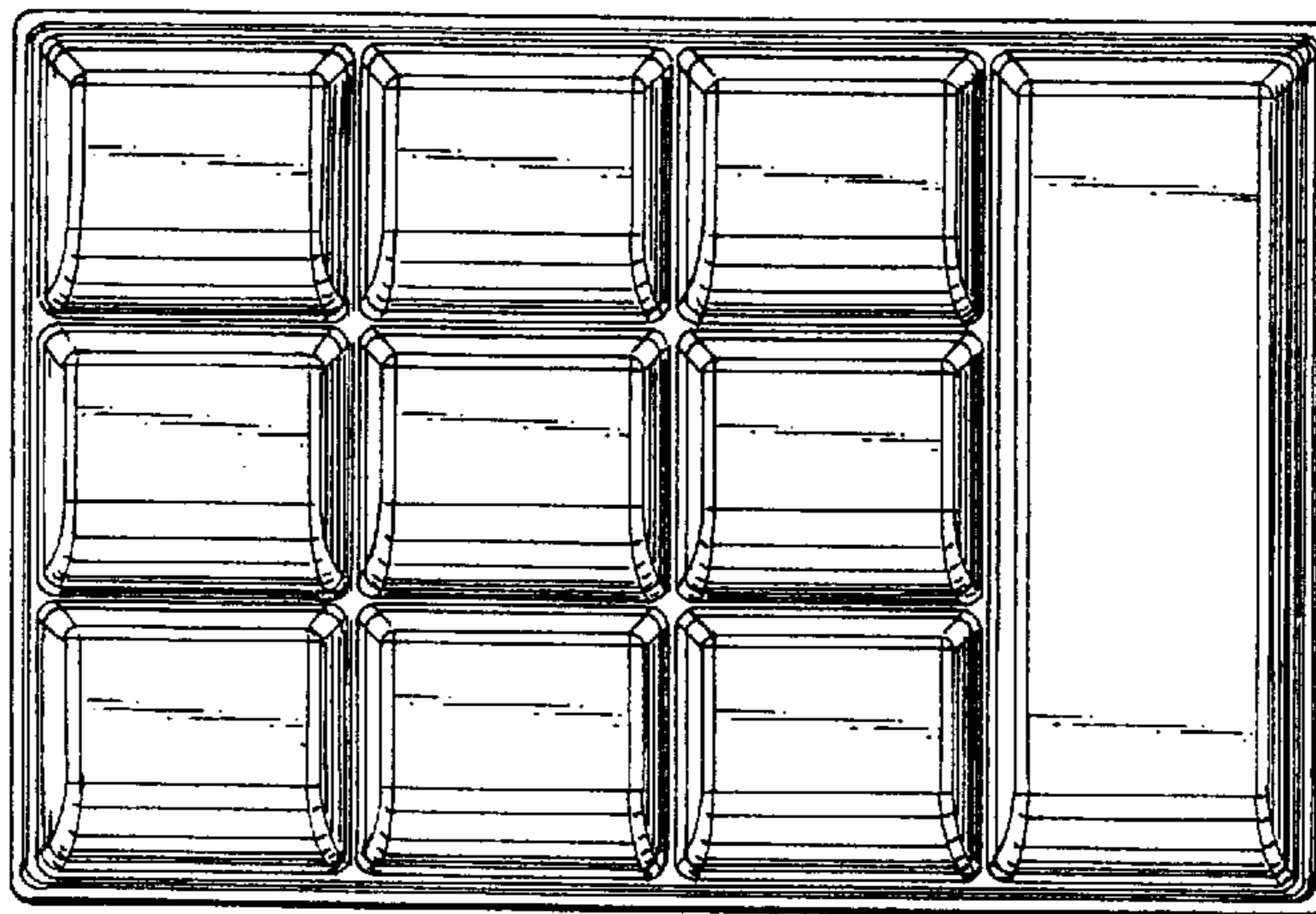


FIG. 6



FIG. 7



FIG. 8

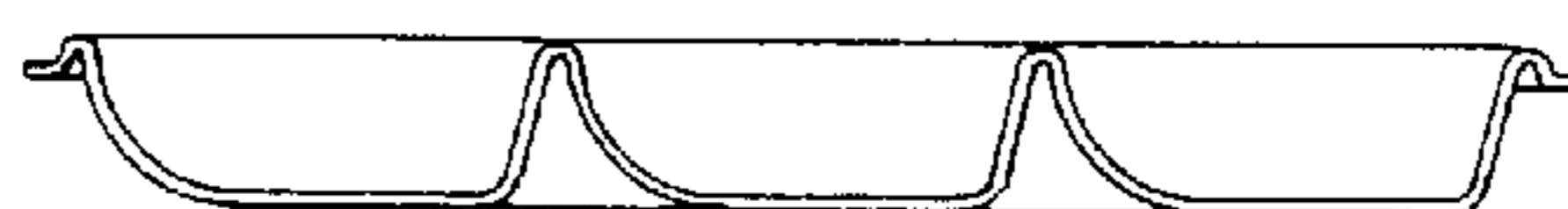


FIG. 9