



US00D452075B1

(12) **United States Design Patent**  
**Mogil**

(10) **Patent No.:** **US D452,075 S**

(45) **Date of Patent:** **\*\* Dec. 18, 2001**

(54) **CONTAINER**

(75) Inventor: **Melvin S. Mogil**, Toronto (CA)

(73) Assignee: **California Innovations Inc.**,  
Willowdale (CA)

(\*\*) Term: **14 Years**

(21) Appl. No.: **29/126,817**

(22) Filed: **Jul. 26, 2000**

**Related U.S. Application Data**

(62) Division of application No. 29/105,733, filed on Jun. 1, 1999.

(51) **LOC (7) Cl.** ..... **03-01**

(52) **U.S. Cl.** ..... **D3/301; D3/289**

(58) **Field of Search** ..... **D3/272, 273, 276,**  
**D3/283, 289, 301, 285; 190/109, 111, 112,**  
**113, 114, 115; 383/110**

(56) **References Cited**

**U.S. PATENT DOCUMENTS**

|            |   |         |                    |       |         |
|------------|---|---------|--------------------|-------|---------|
| D. 273,534 | * | 4/1984  | Weinreb            | ..... | D3/289  |
| D. 300,986 | * | 5/1989  | Peregrine et al.   | ..... | D3/289  |
| D. 349,428 | * | 8/1994  | Krugman            | ..... | D3/289  |
| D. 373,514 | * | 9/1996  | Melk               | ..... | D3/301  |
| D. 373,515 | * | 9/1996  | Melk               | ..... | D3/301  |
| D. 375,835 | * | 11/1996 | Christopher et al. | ..... | D3/289  |
| 5,904,230  | * | 5/1999  | Peterson           | ..... | 190/107 |

\* cited by examiner

*Primary Examiner*—Philip S. Hyder

(74) *Attorney, Agent, or Firm*—Arent Fox Kintner Plotkin & Kahn, PLLC

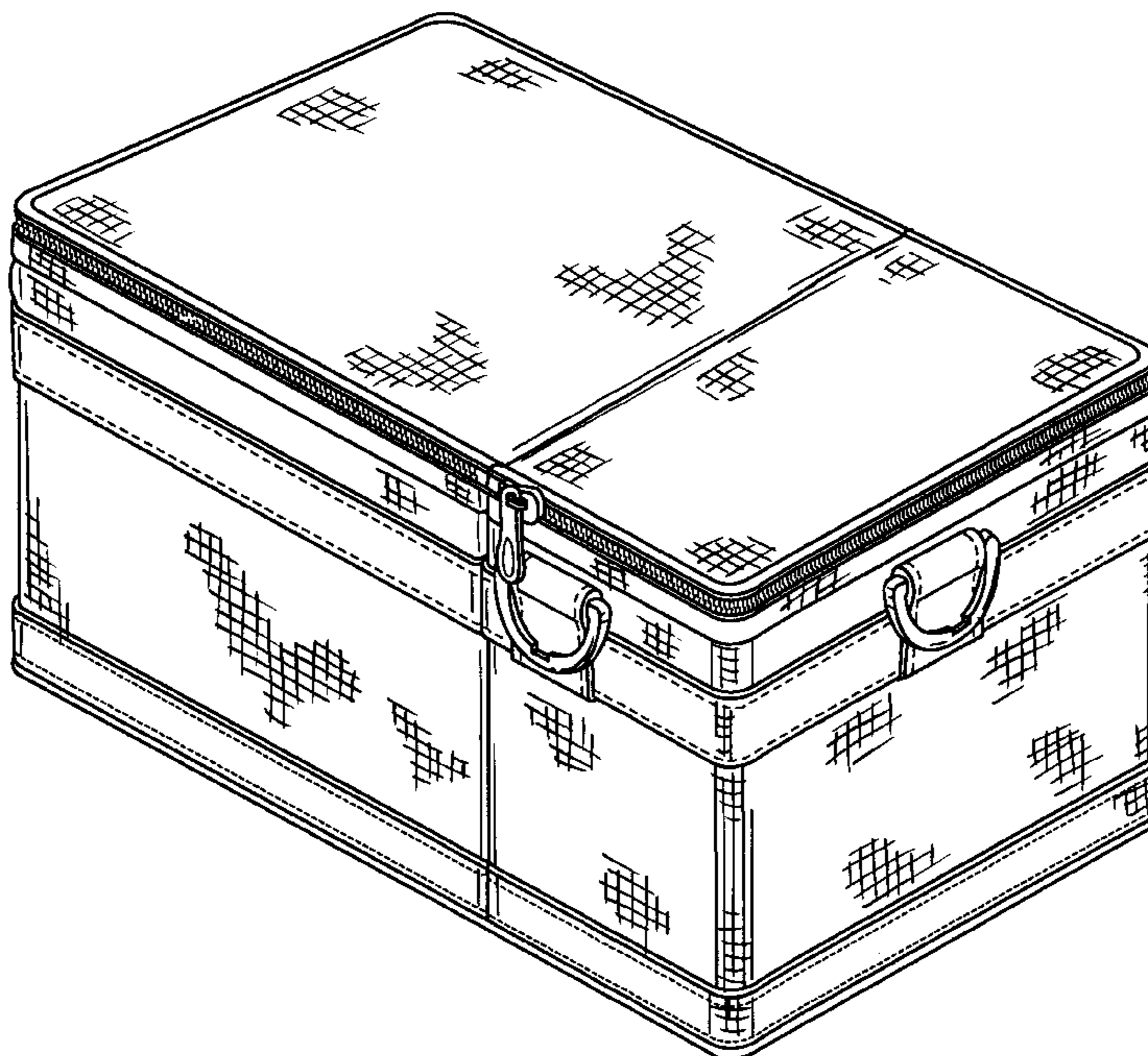
(57) **CLAIM**

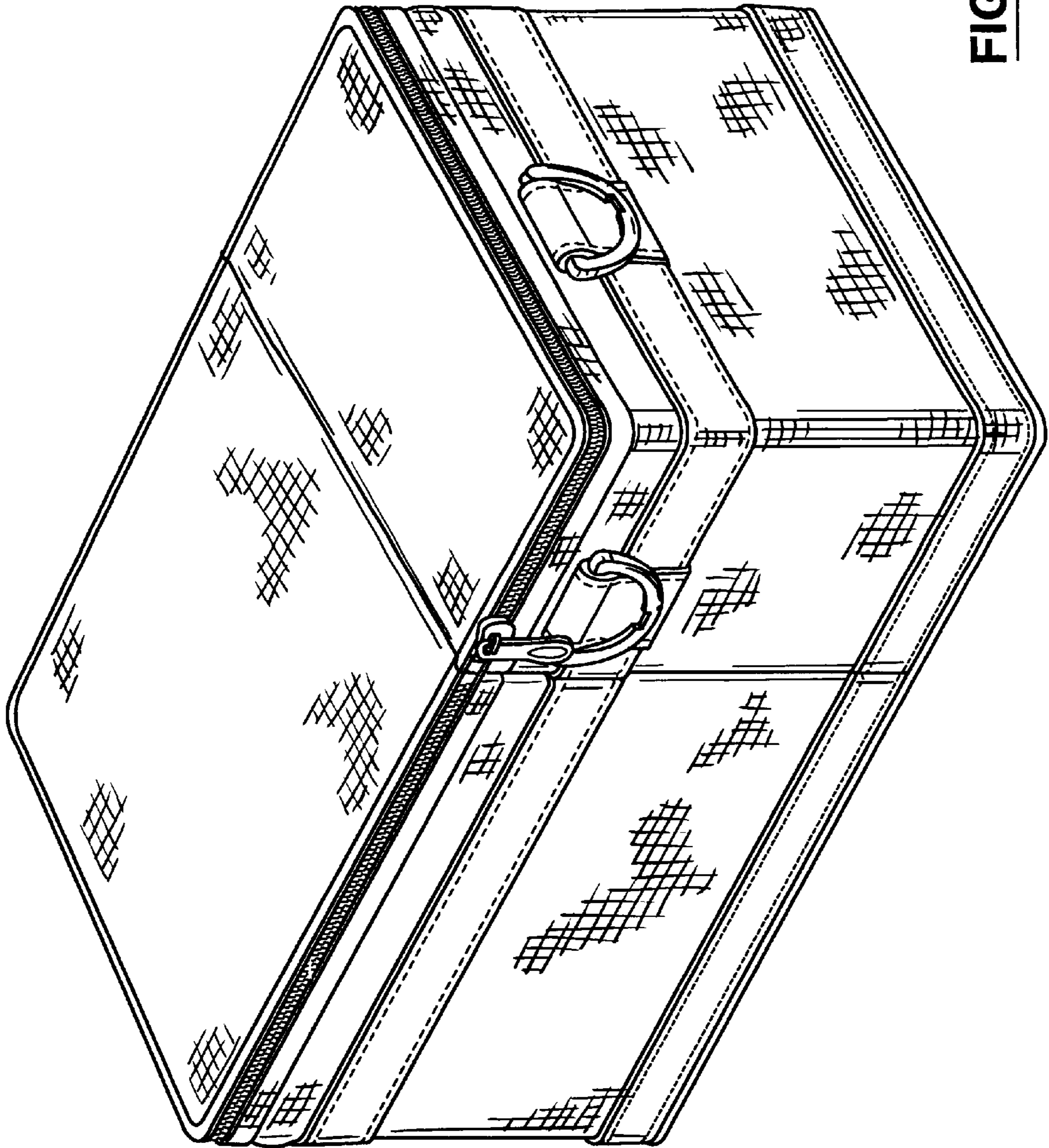
The ornamental design for a container, as shown and described.

**DESCRIPTION**

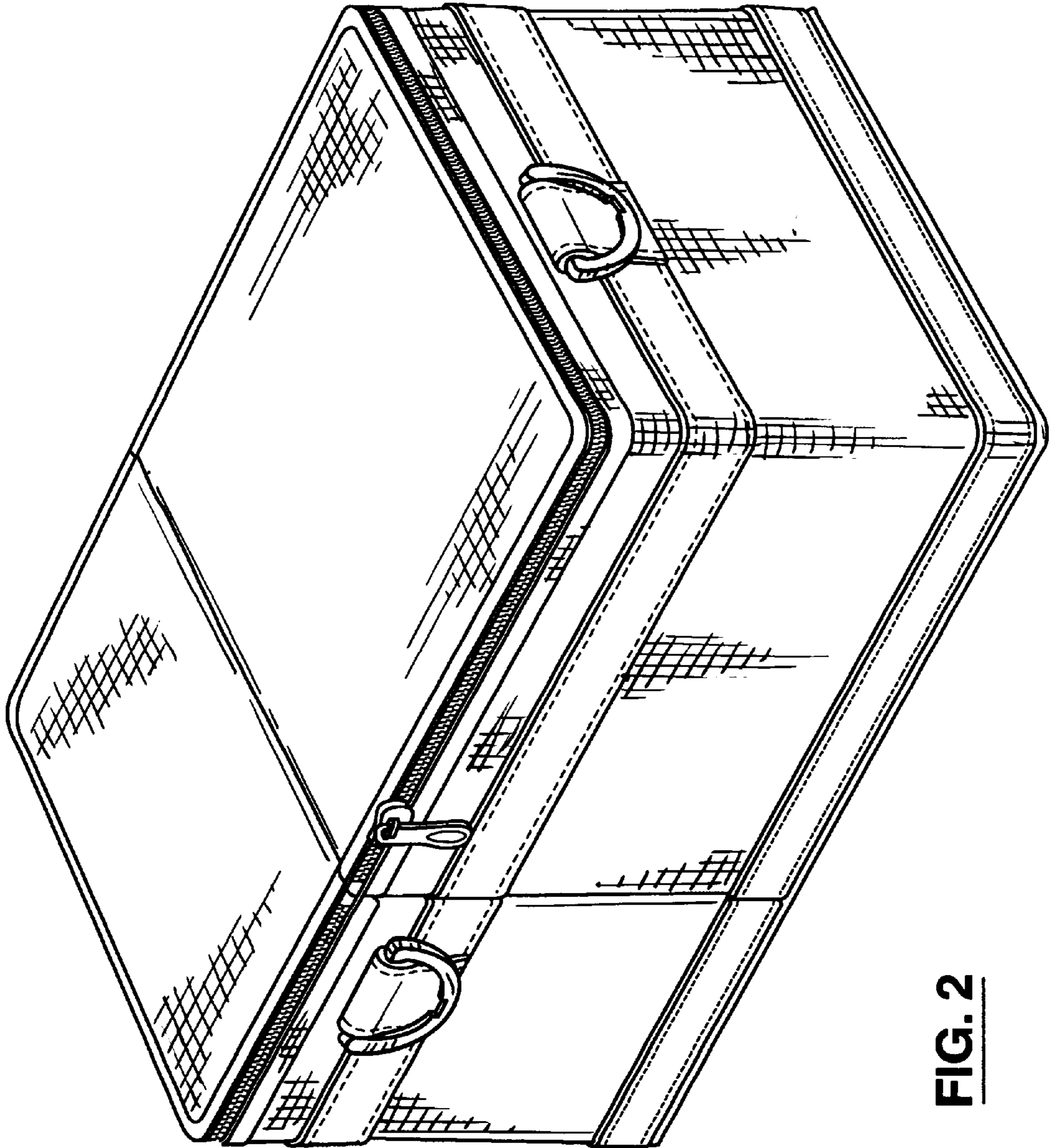
FIG. 1 is an isometric view of the container showing the container from above one diagonal corner;  
 FIG. 2 is an isometric view of the container from above the diagonally opposite corner to that of FIG. 1;  
 FIG. 3 is a left side elevational view of the container of FIG. 1;  
 FIG. 4 is a right side elevational view of the container of FIG. 1;  
 FIG. 5 is a front end view of the container of FIG. 1;  
 FIG. 6 is a rear end view of the container of FIG. 1;  
 FIG. 7 is a top plan view of the container of FIG. 1;  
 FIG. 8 is a bottom view of the container of FIG. 1;  
 FIG. 9 is a view of the container of FIG. 1 in a collapsed position, taken from the same view point as FIG. 1;  
 FIG. 10 is a view of the container of FIG. 1 in the collapsed position taken from above the diagonal corner from FIG. 9;  
 FIG. 11 is a front end view of the container of FIG. 9;  
 FIG. 12 is a rear end view of the container of FIG. 9;  
 FIG. 13 is a right side elevational view of the container of FIG. 9;  
 FIG. 14 is a left side elevational view of the container of FIG. 9;  
 FIG. 15 is a top plan view of the container of FIG. 9; and,  
 FIG. 16 is a bottom view of the collapsed container of FIG. 9.

**1 Claim, 11 Drawing Sheets**

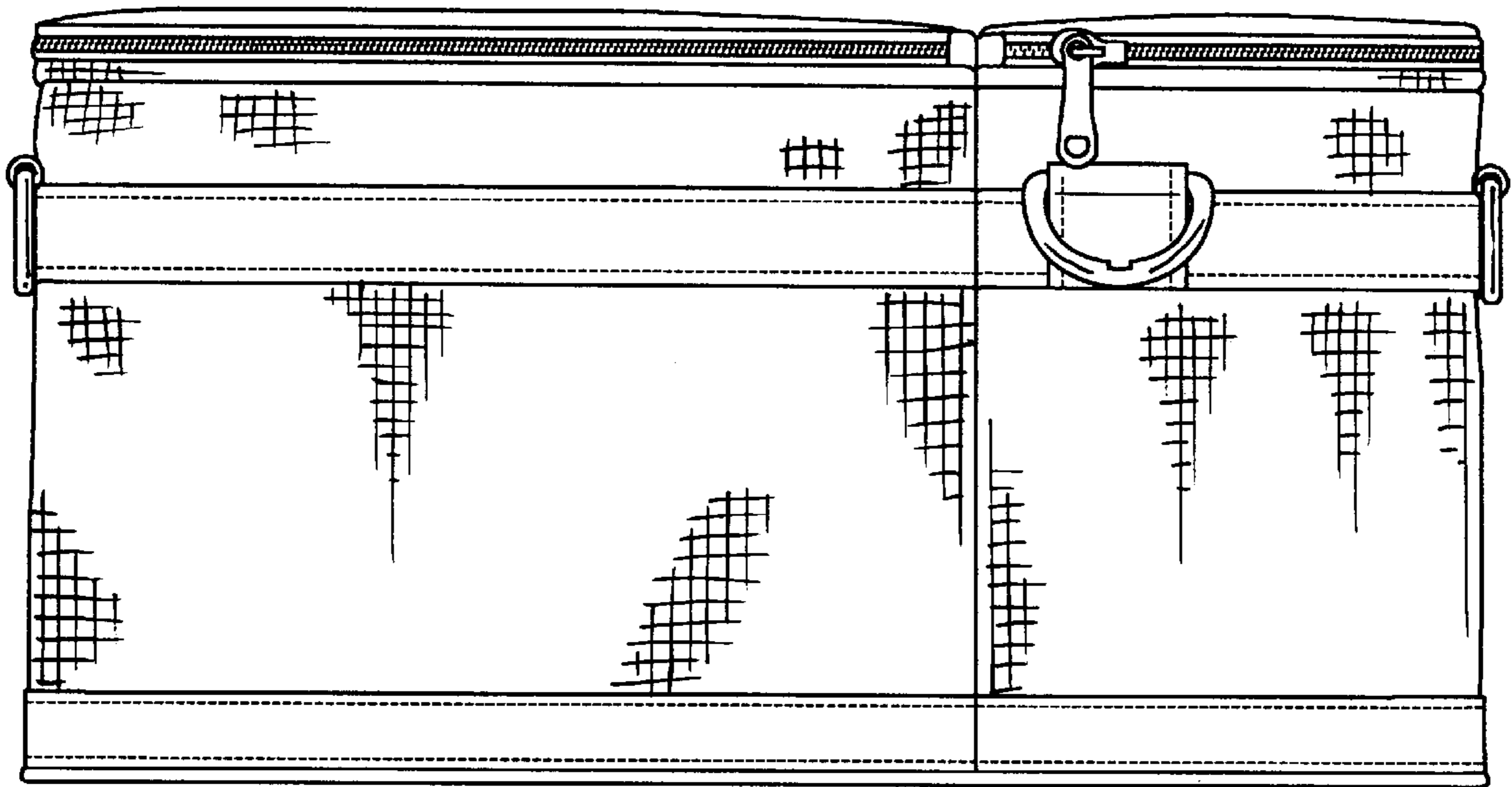




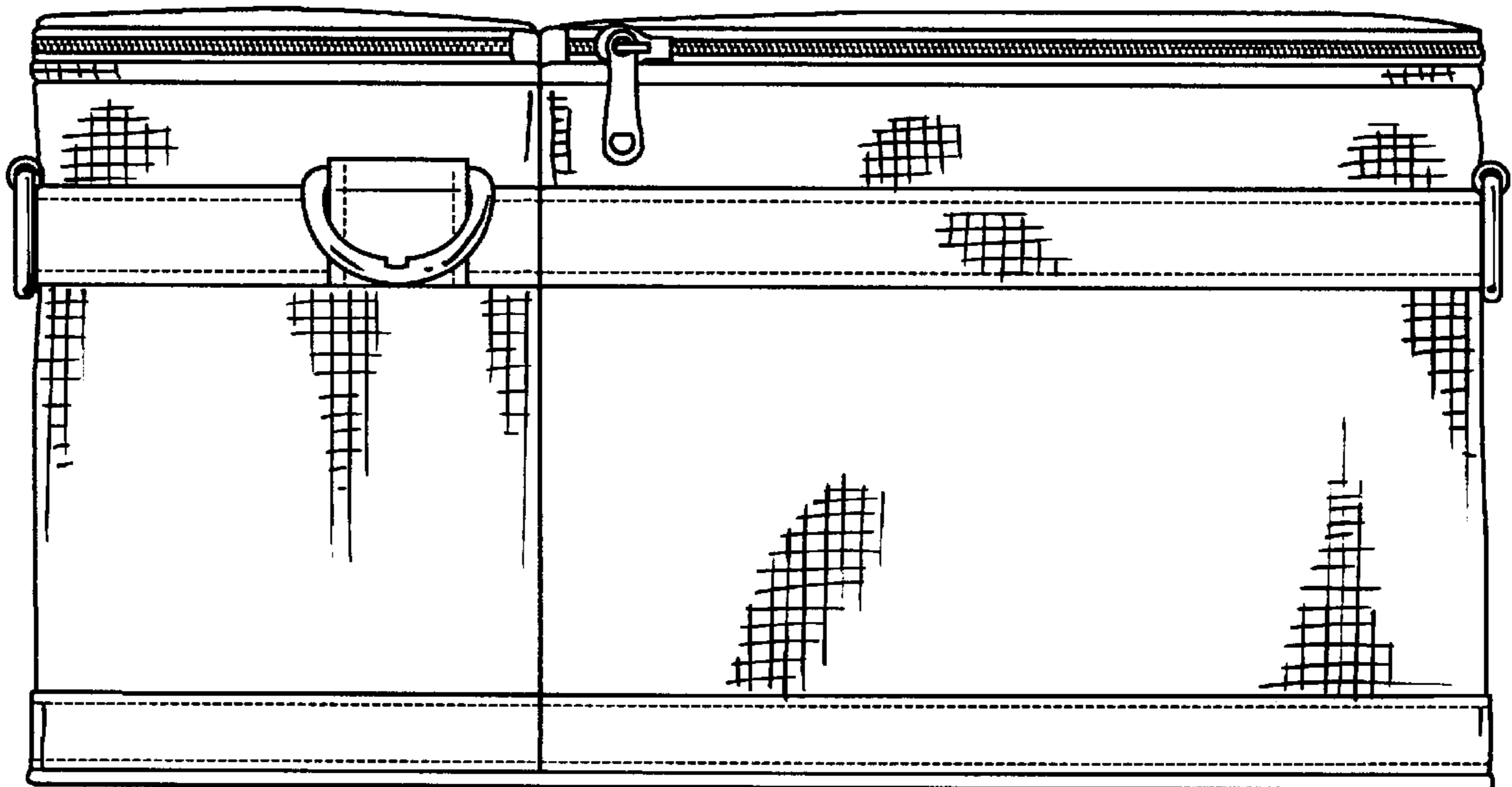
**FIG. 1**



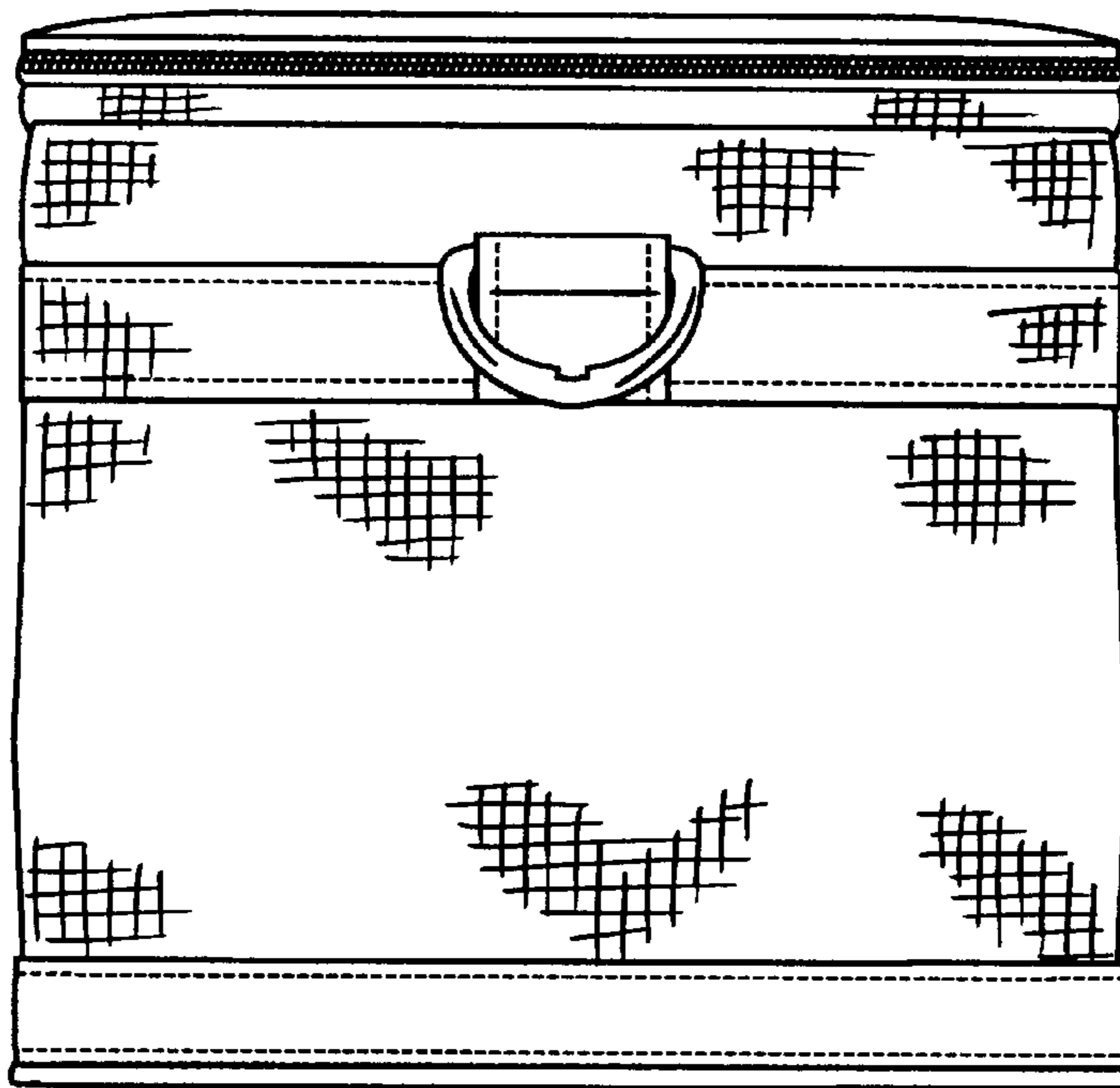
**FIG. 2**



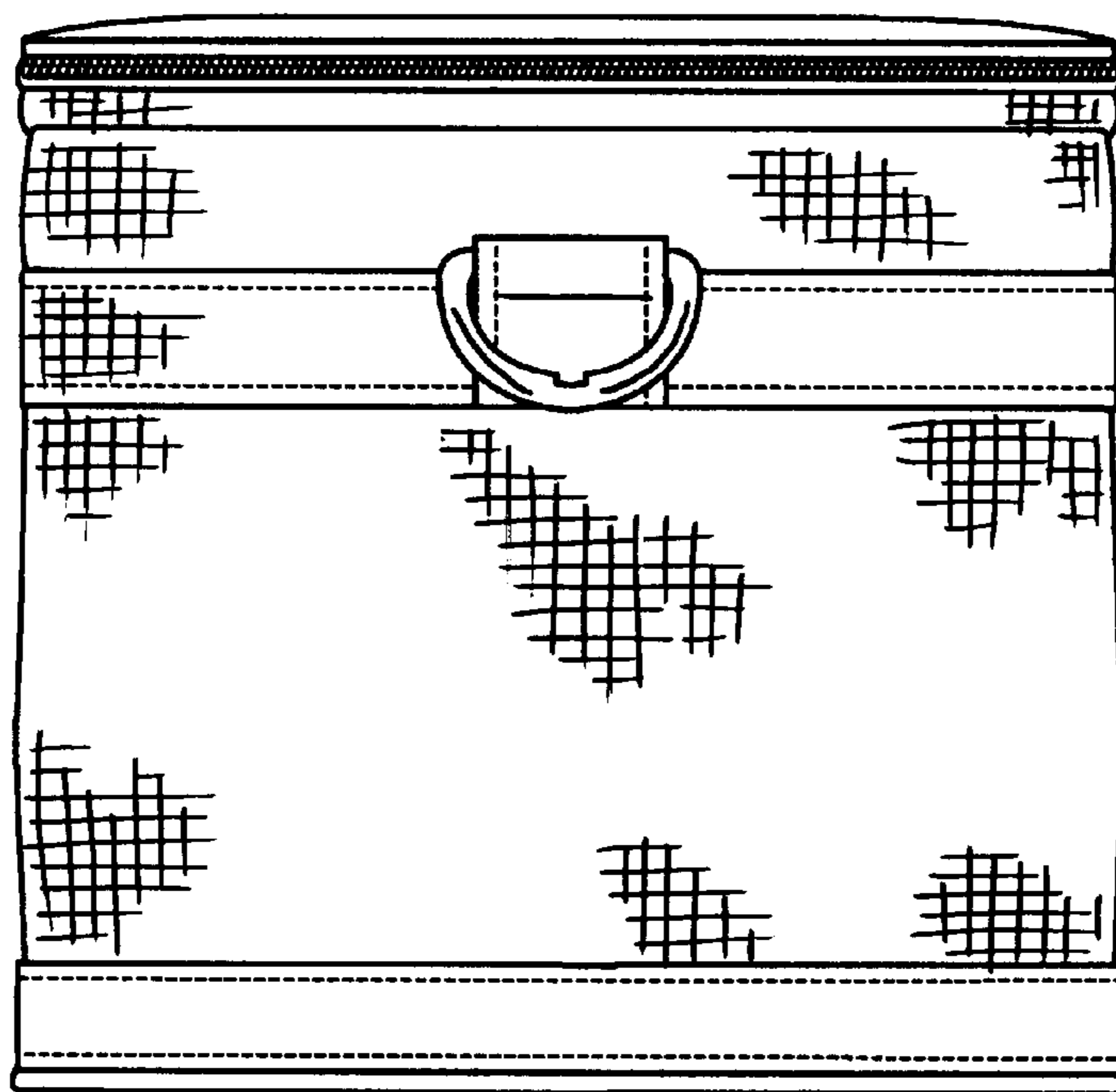
**FIG. 3**



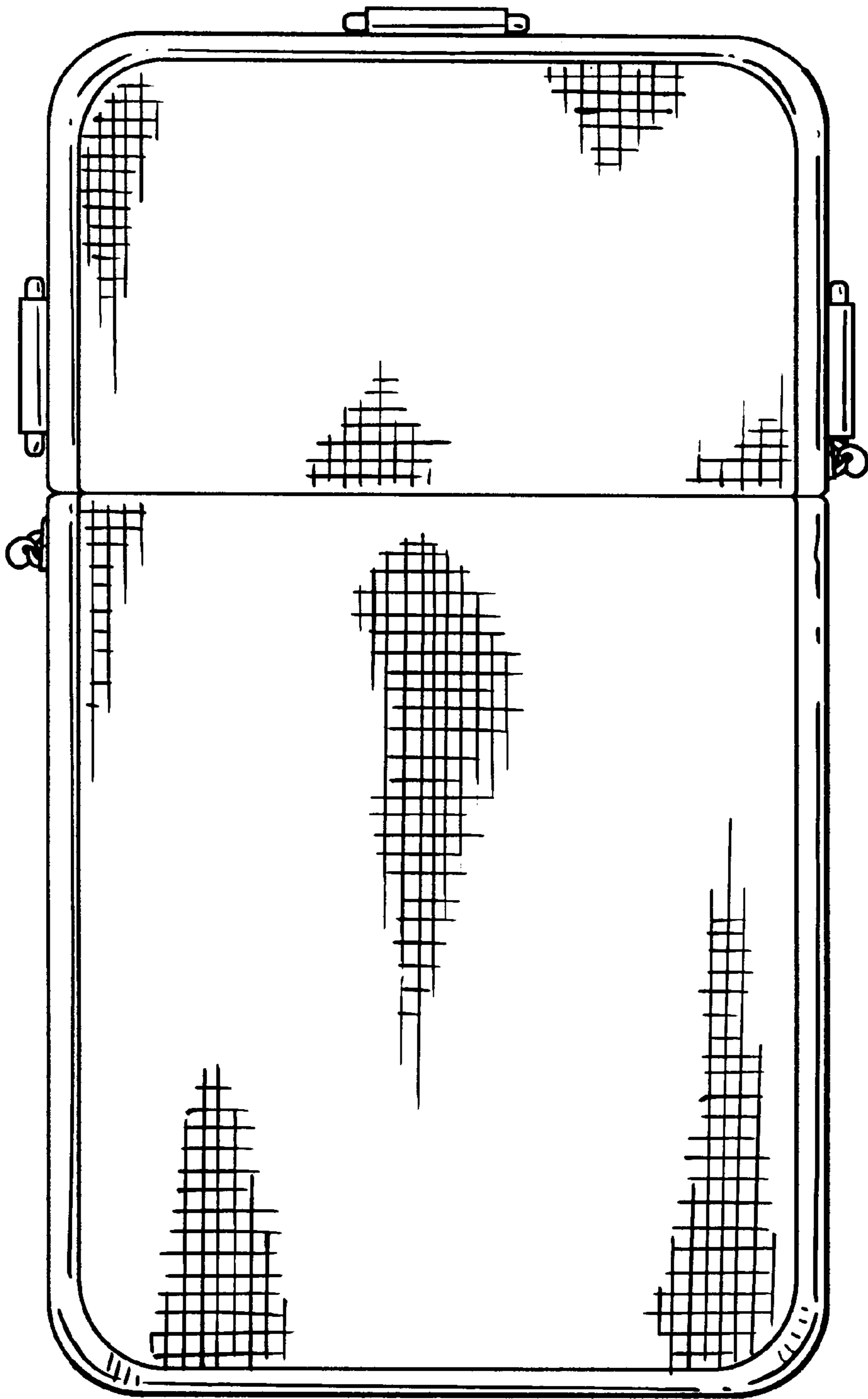
**FIG. 4**



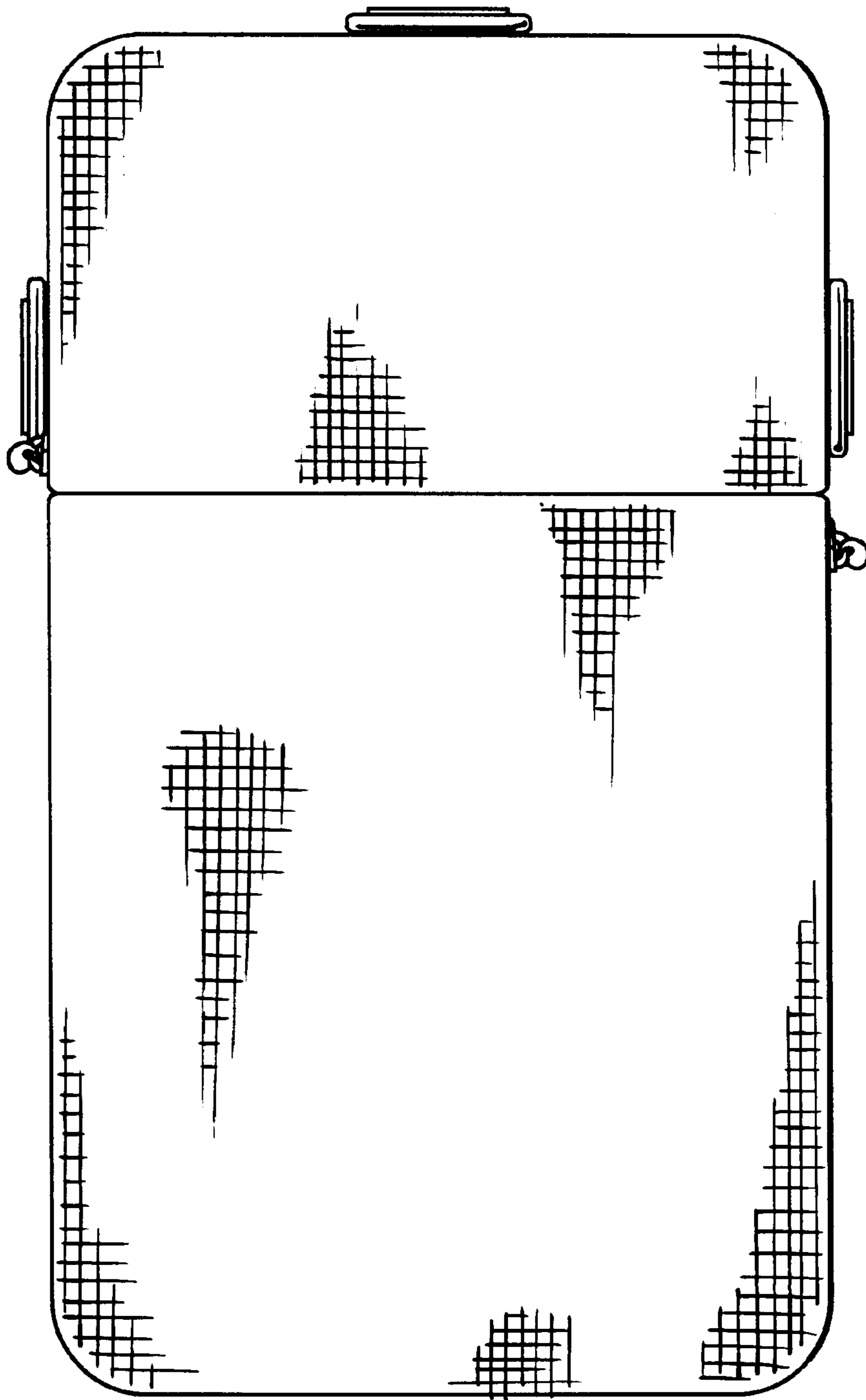
**FIG. 5**



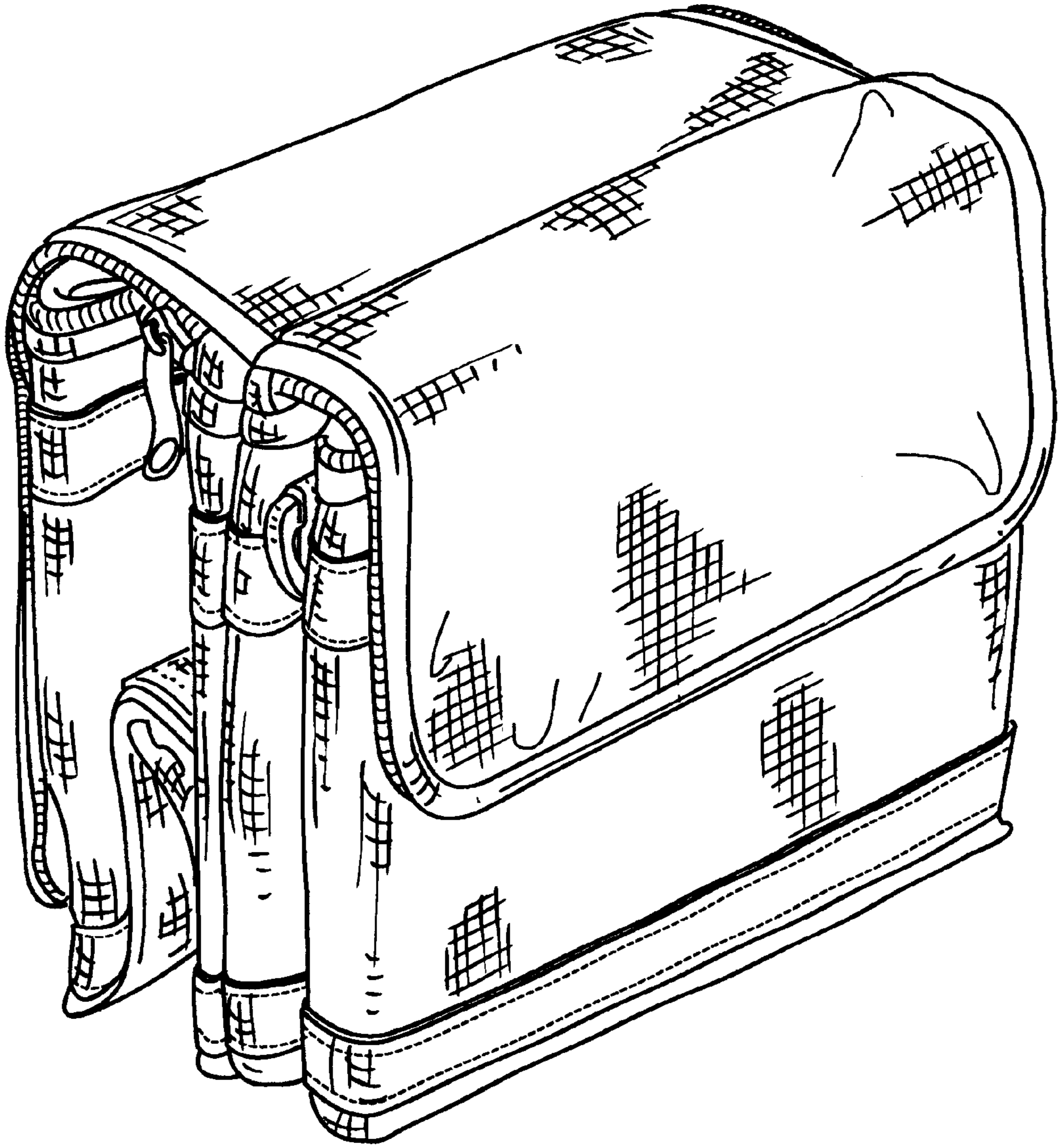
**FIG. 6**



**FIG. 7**

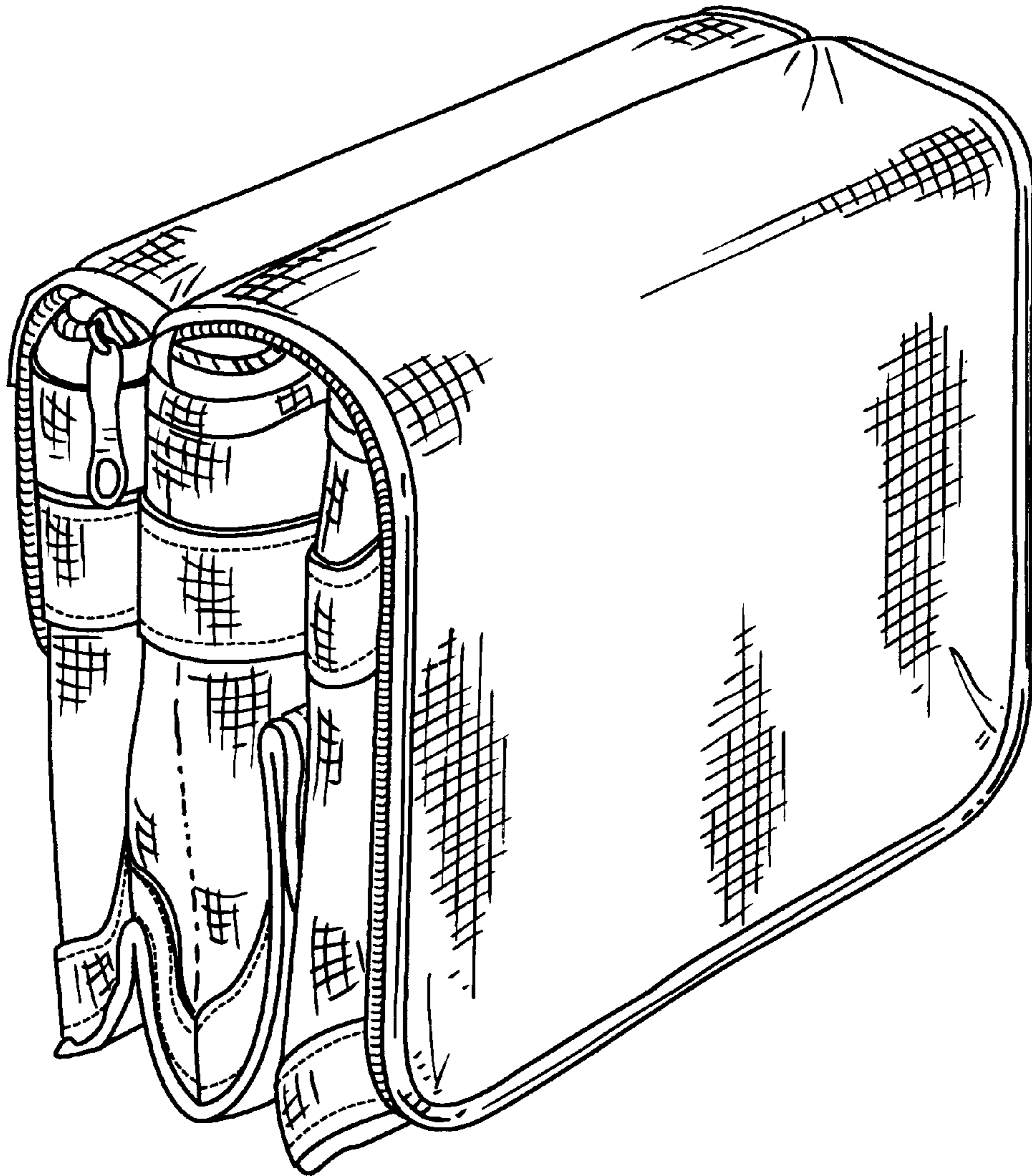


**FIG. 8**

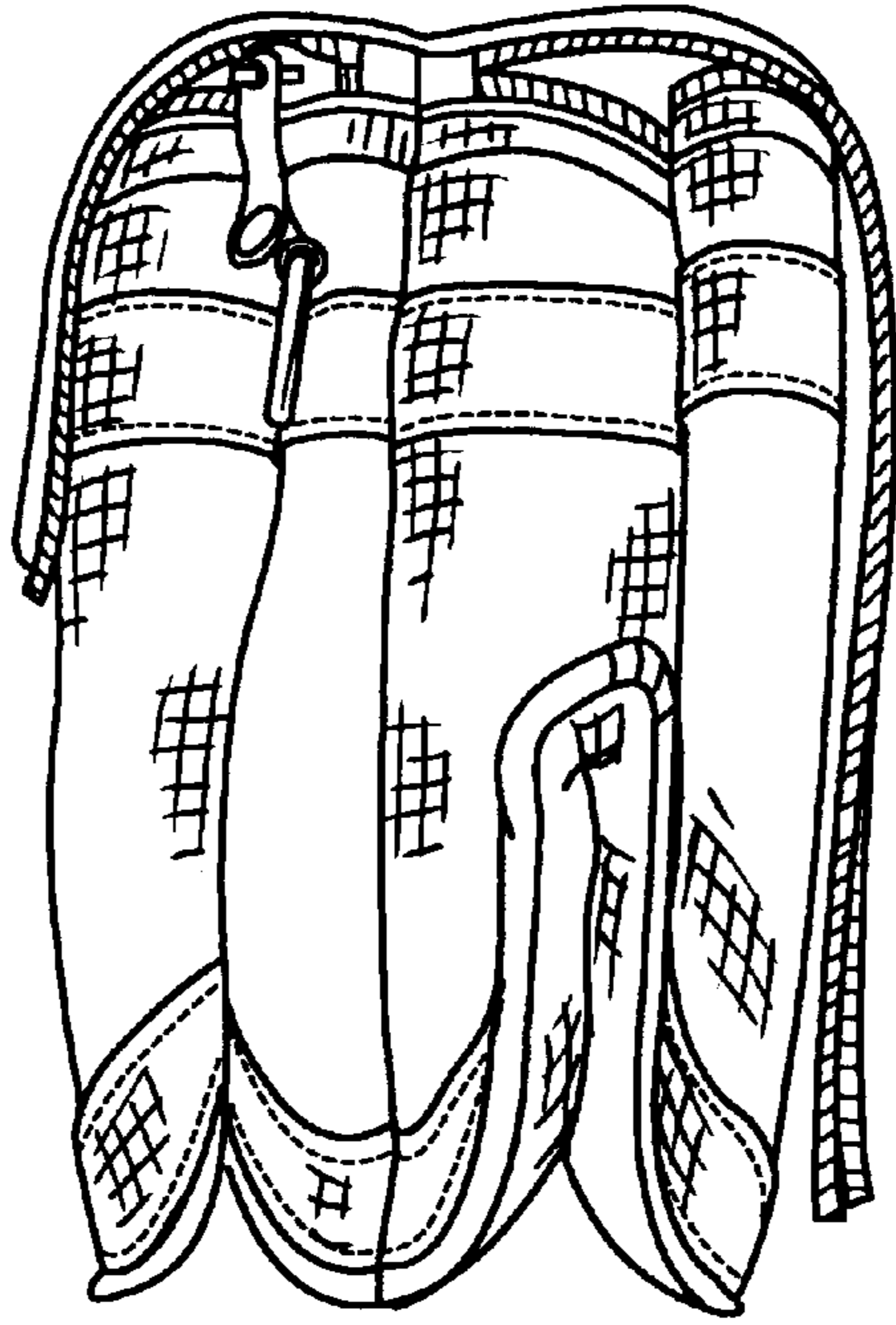


**FIG. 9**

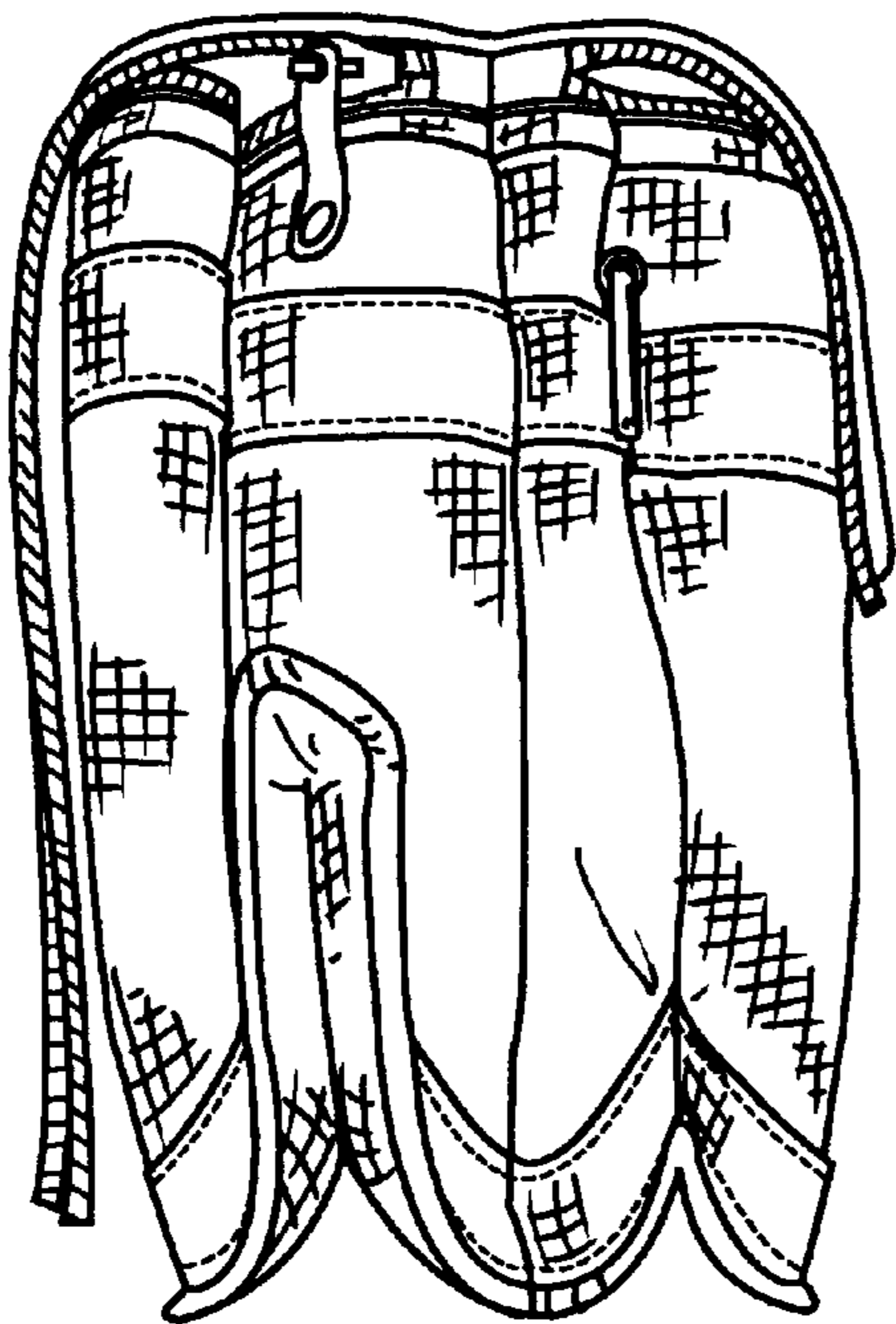




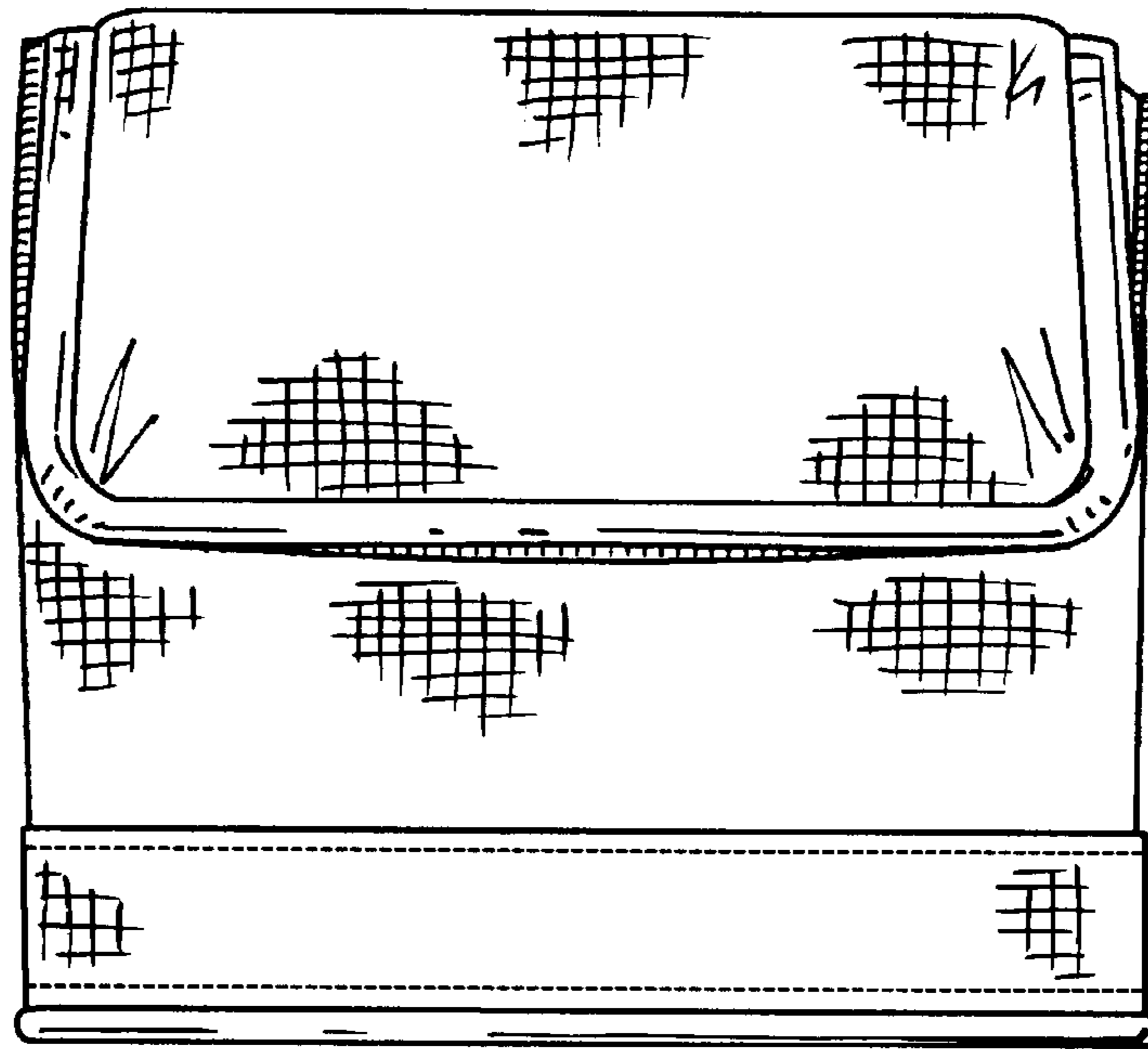
**FIG. 10**



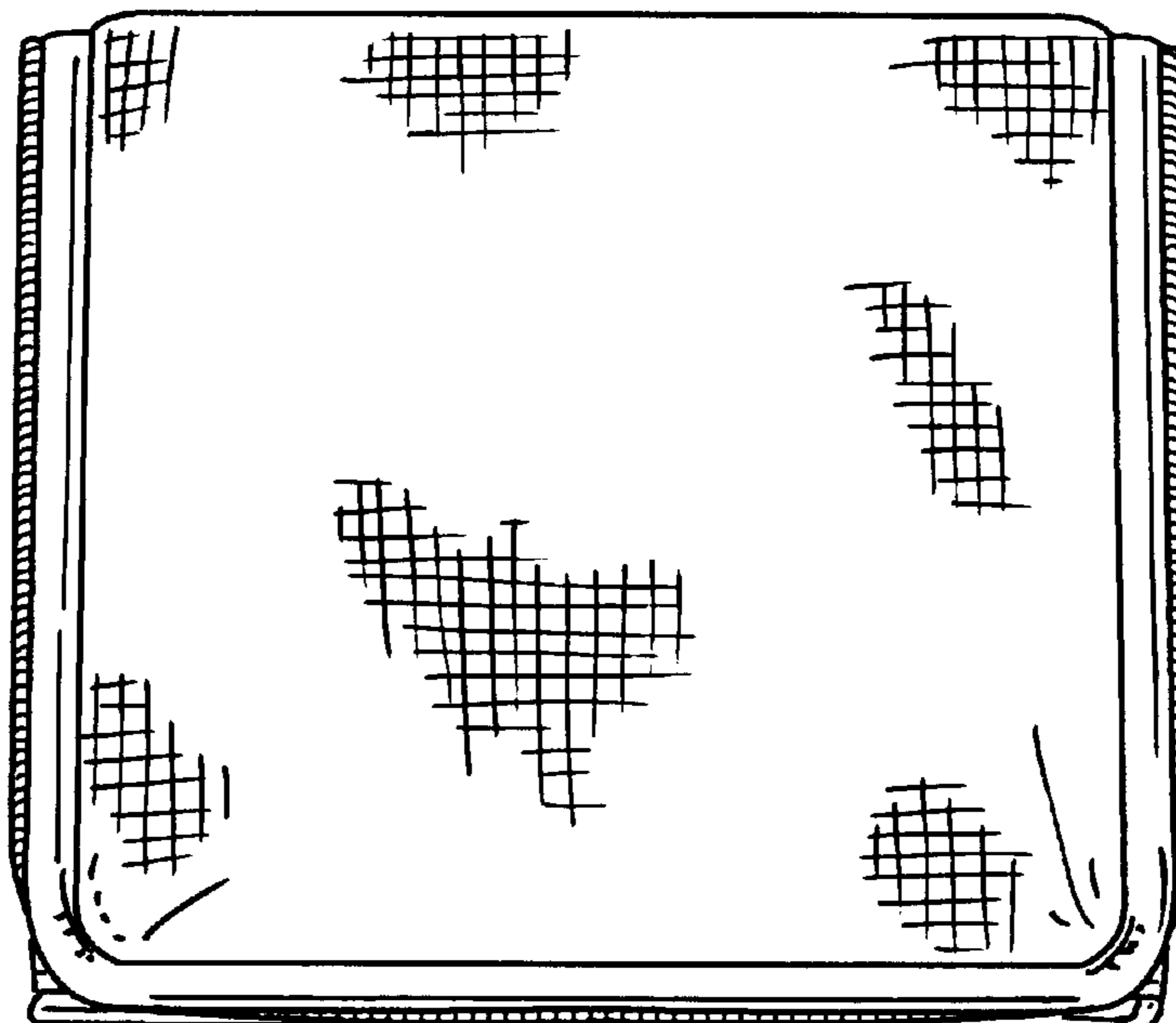
**FIG. 11**



**FIG. 12**



**FIG. 13**



**FIG. 14**

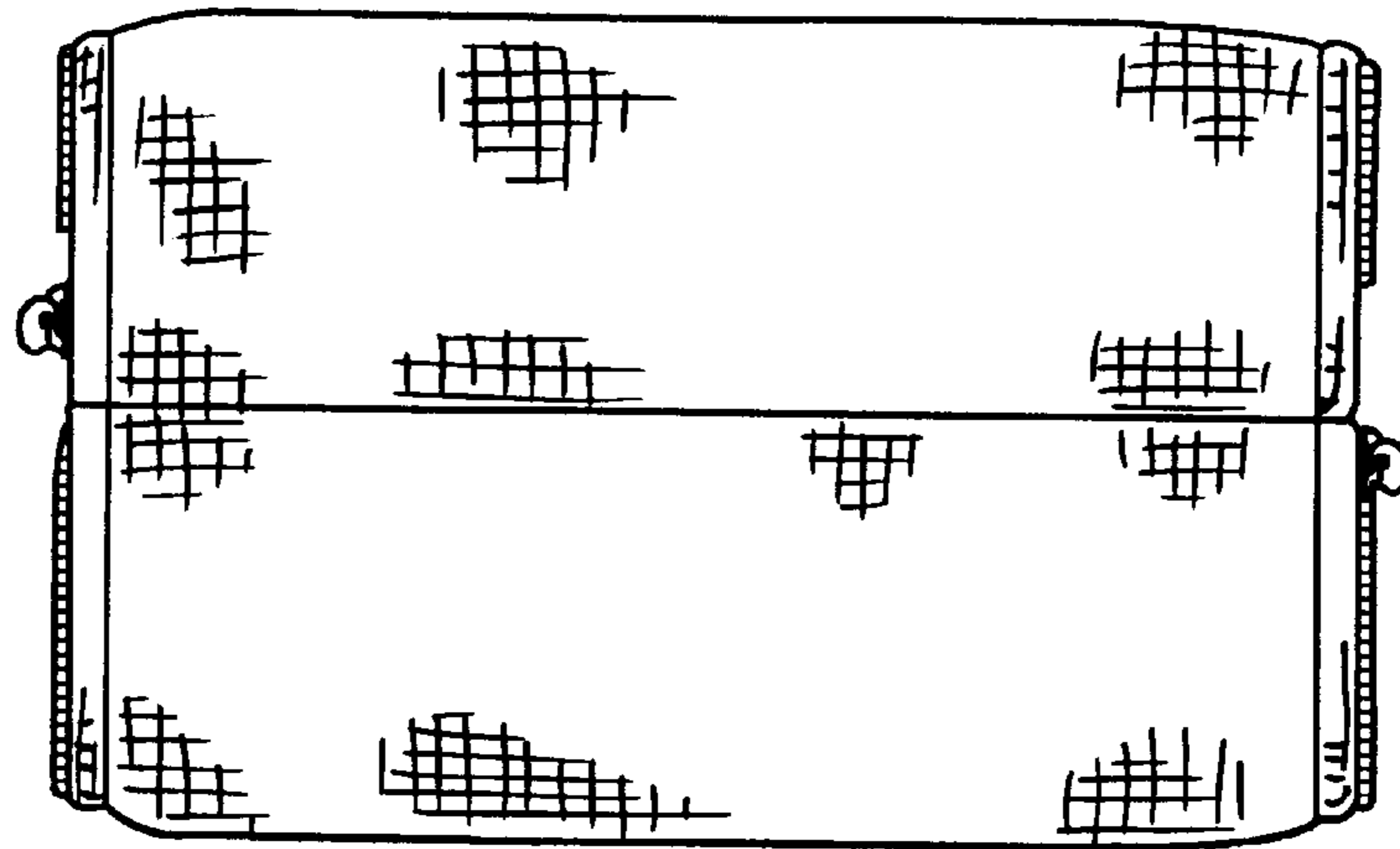


FIG. 15

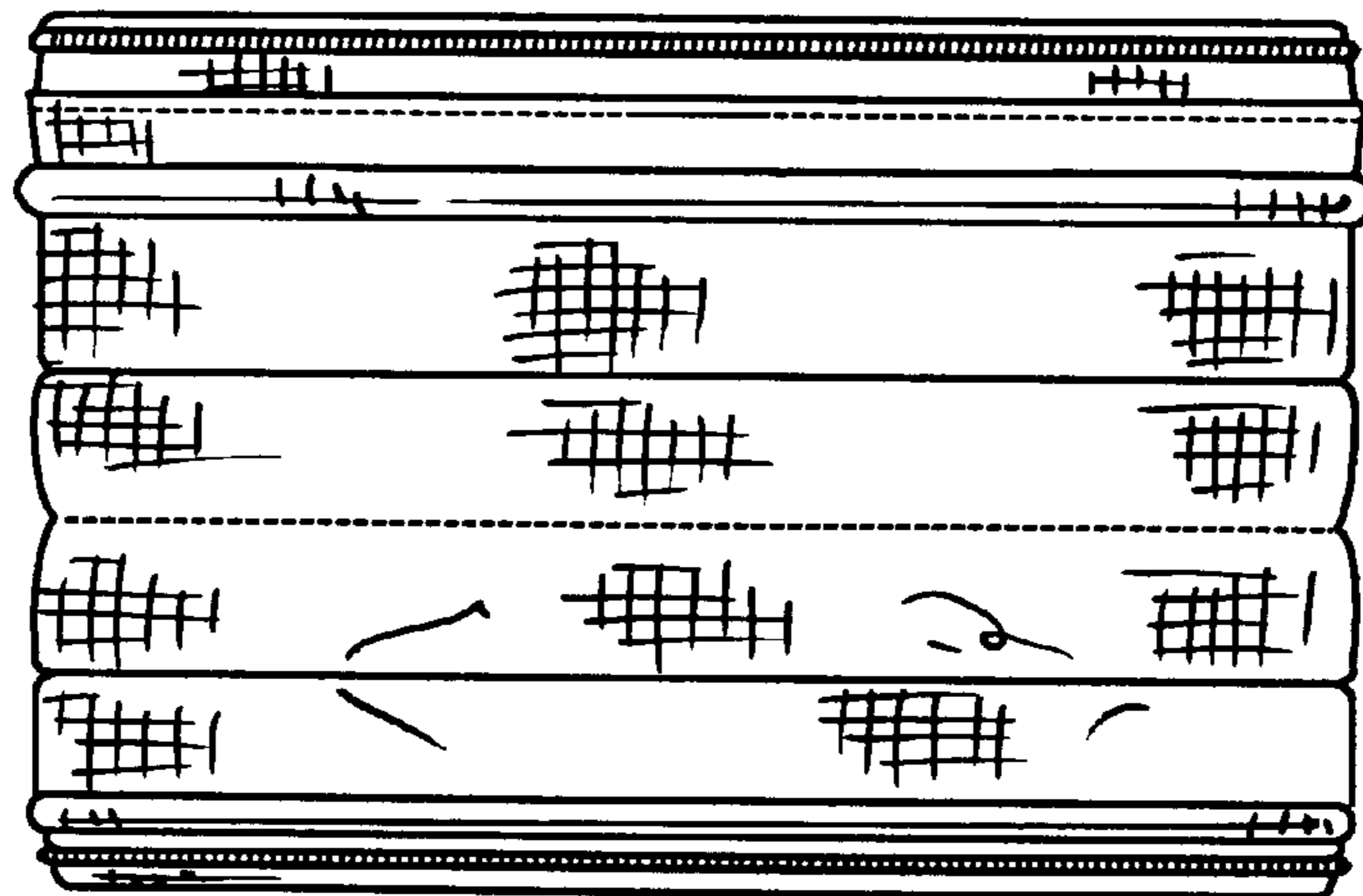


FIG. 16