



US00D452071B1

(12) **United States Design Patent**  
**Snider**

(10) **Patent No.:** **US D452,071 S**  
(45) **Date of Patent:** **\*\* Dec. 18, 2001**

(54) **WORKBELT HAMMER HOLDER**

**FOREIGN PATENT DOCUMENTS**

(75) Inventor: **Gregory Scott Snider**, Bel Air, MD  
(US)

3639337A1 11/1986 (DE) .  
29509644U1 11/1995 (DE) .  
29911737U1 11/1999 (DE) .  
29911982 11/1999 (DE) .

(73) Assignee: **Black & Decker Inc.**, Newark, DE  
(US)

\* cited by examiner

(\*\*) Term: **14 Years**

*Primary Examiner*—Catherine R. Oliver  
(74) *Attorney, Agent, or Firm*—Harness, Dickey & Pierce,  
P.L.C.

(21) Appl. No.: **29/127,250**

(22) Filed: **Aug. 2, 2000**

(57) **CLAIM**

(51) **LOC (7) Cl.** ..... **03-01**

The ornamental design for a workbelt hammer holder, as shown and described.

(52) **U.S. Cl.** ..... **D3/228**

(58) **Field of Search** ..... D3/228, 215, 224,  
D3/226, 221, 303, 229; 224/904, 901, 240,  
245, 242, 666, 677, 268

**DESCRIPTION**

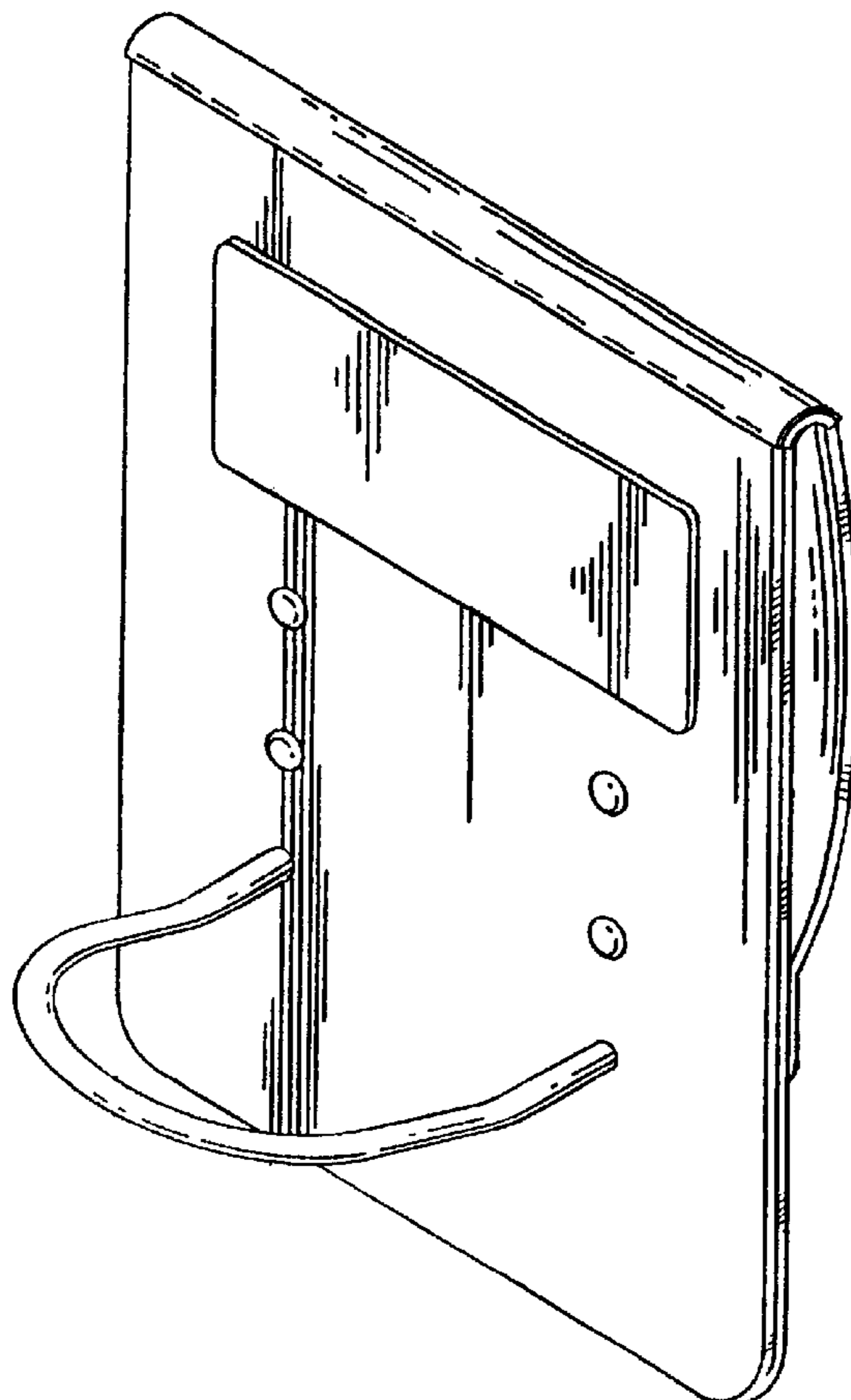
(56) **References Cited**

**U.S. PATENT DOCUMENTS**

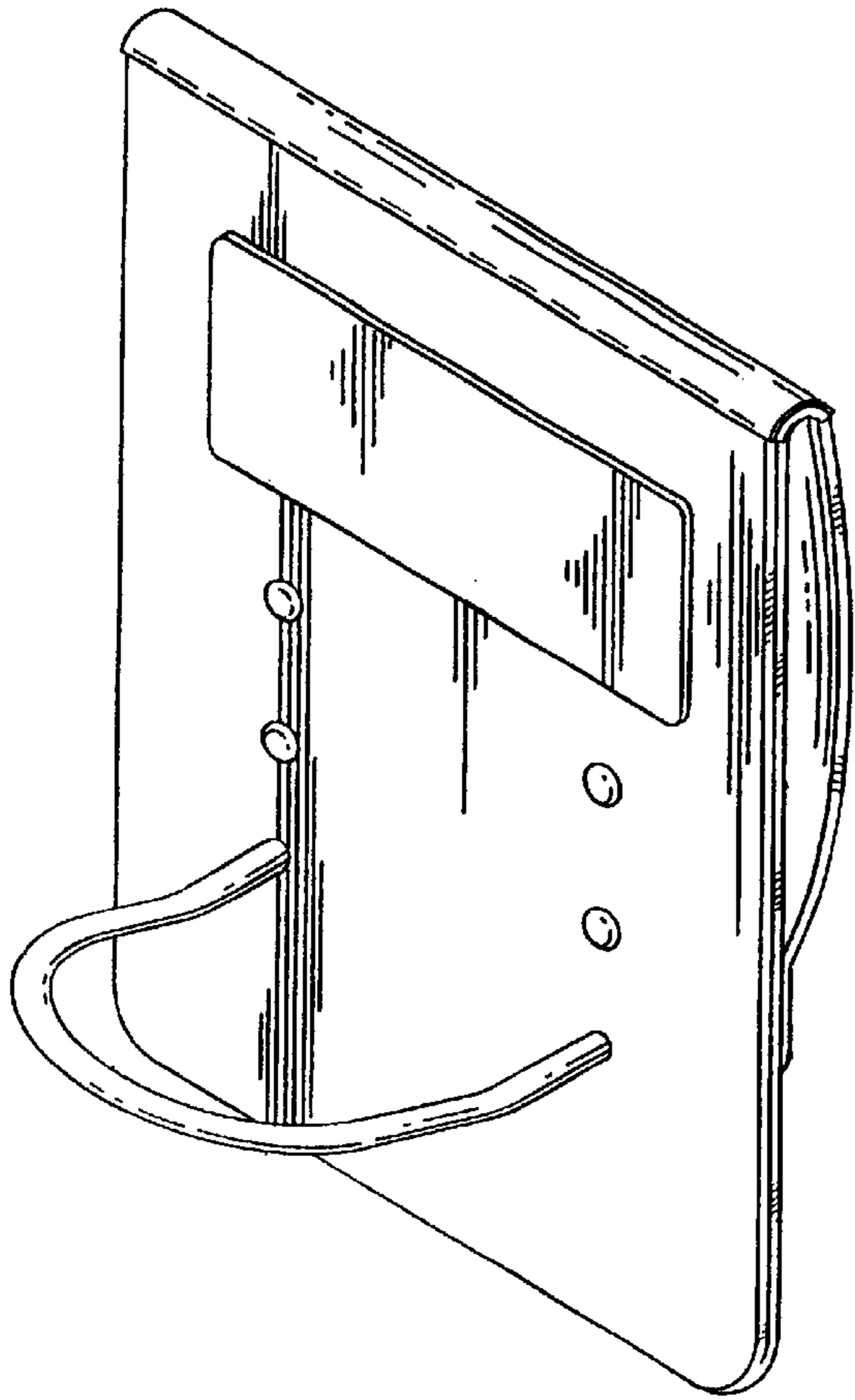
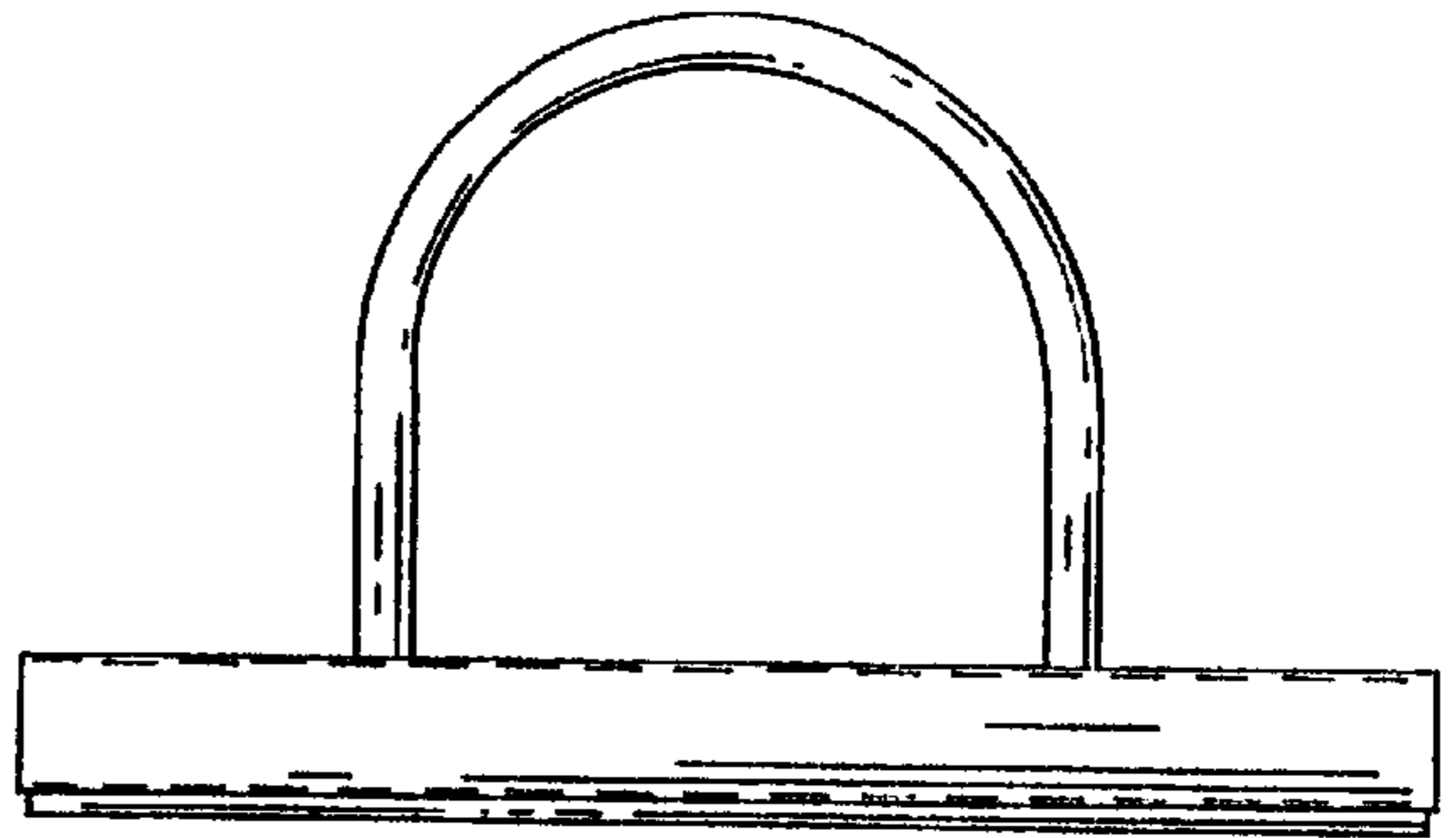
D. 221,123 7/1971 Nicholas .  
D. 324,309 3/1992 Huff .  
D. 330,806 11/1992 Seber .  
D. 359,848 \* 7/1995 Pounds ..... D3/228  
D. 405,955 \* 2/1999 Russell ..... D3/228  
2,618,419 11/1952 Vanish .  
5,944,242 \* 8/1999 Musarella ..... 224/667

FIG. 1 is a front perspective view of a workbelt hammer holder;  
FIG. 2 is a front view thereof;  
FIG. 3 is a right side view thereof (the left side view is a mirror image thereof);  
FIG. 4 is a back view thereof;  
FIG. 5 is a top view thereof; and,  
FIG. 6 is a bottom view thereof.

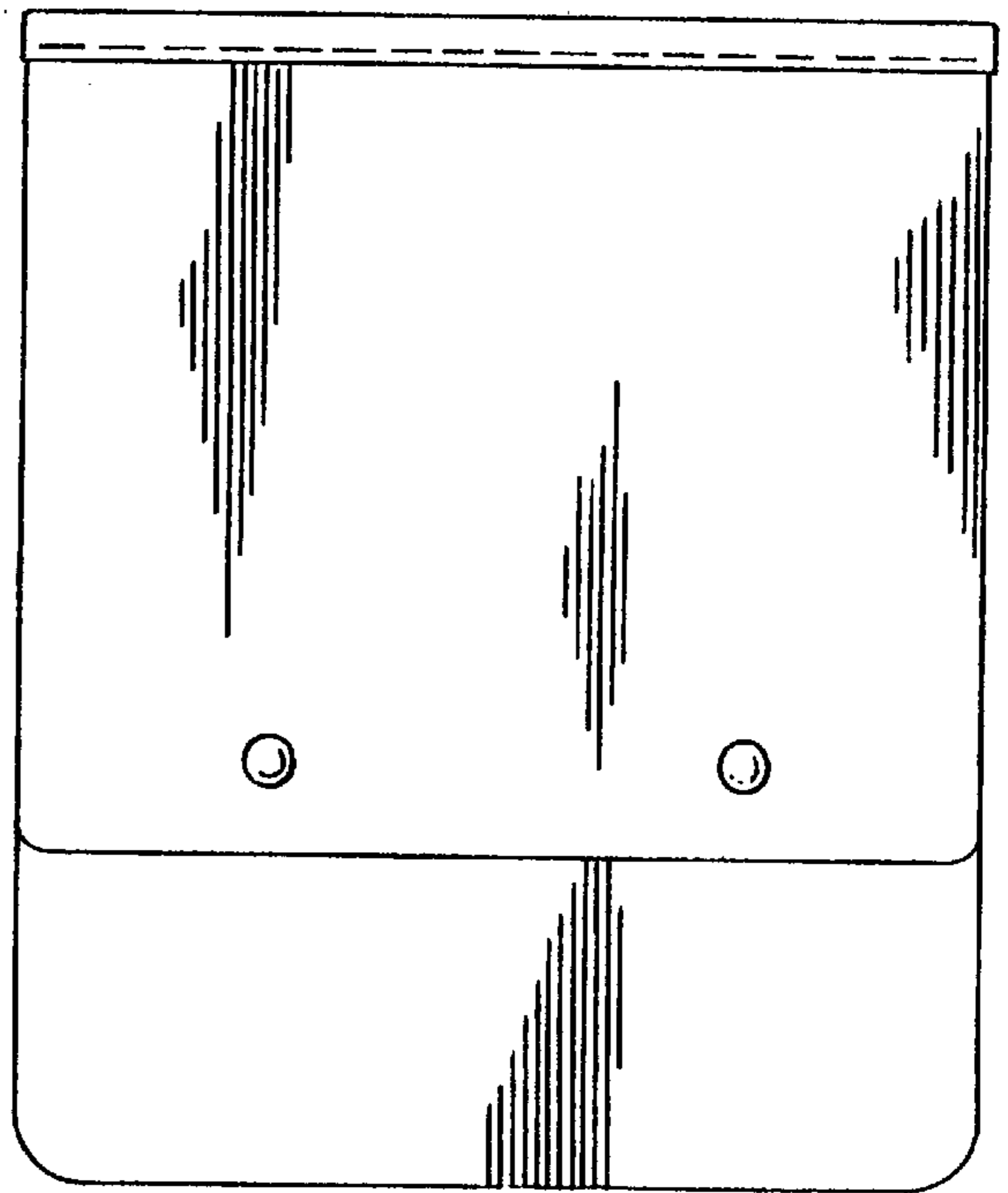
**1 Claim, 2 Drawing Sheets**



**FIG. 5**



**FIG. 1**



**FIG. 4**

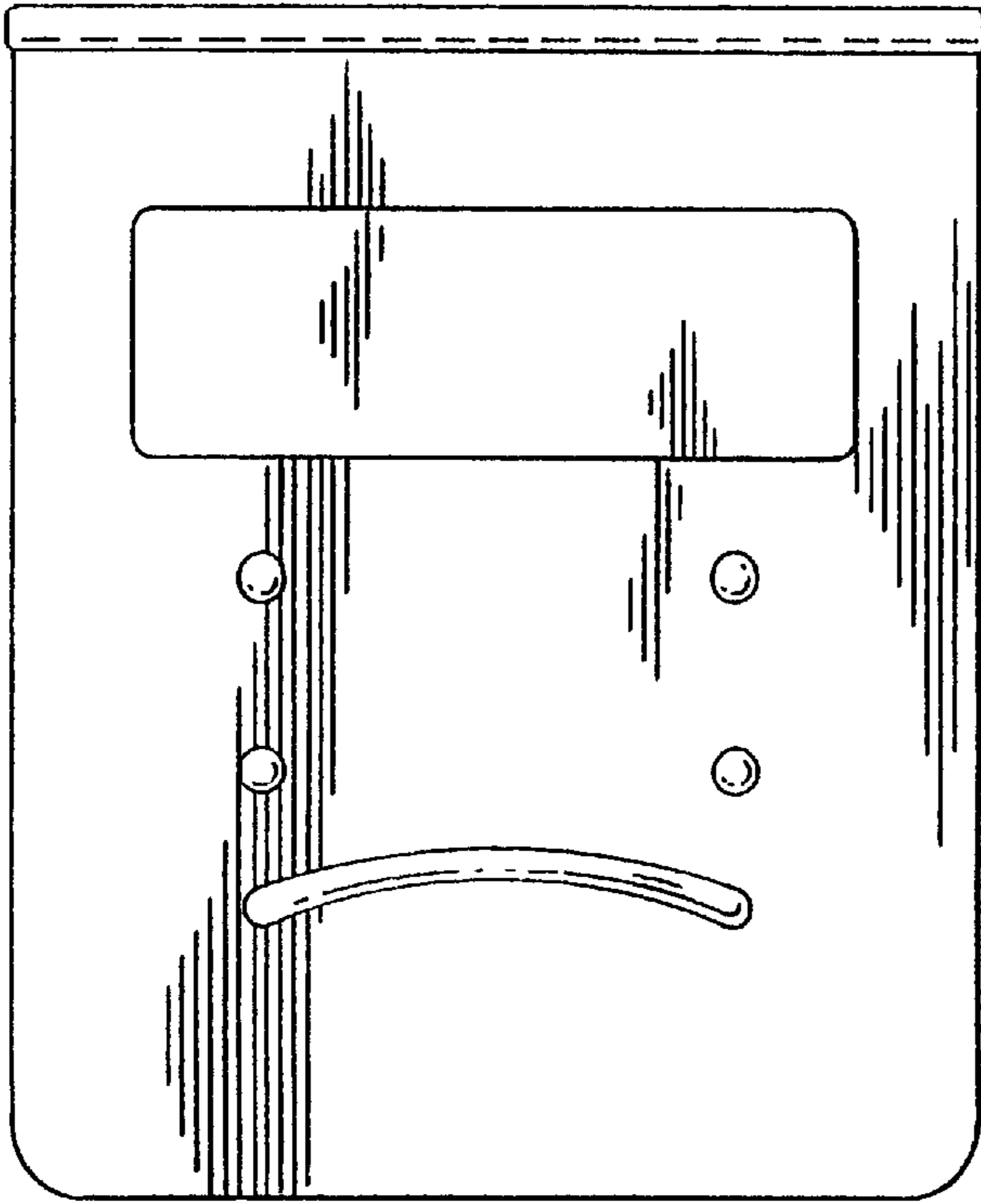


FIG. 2

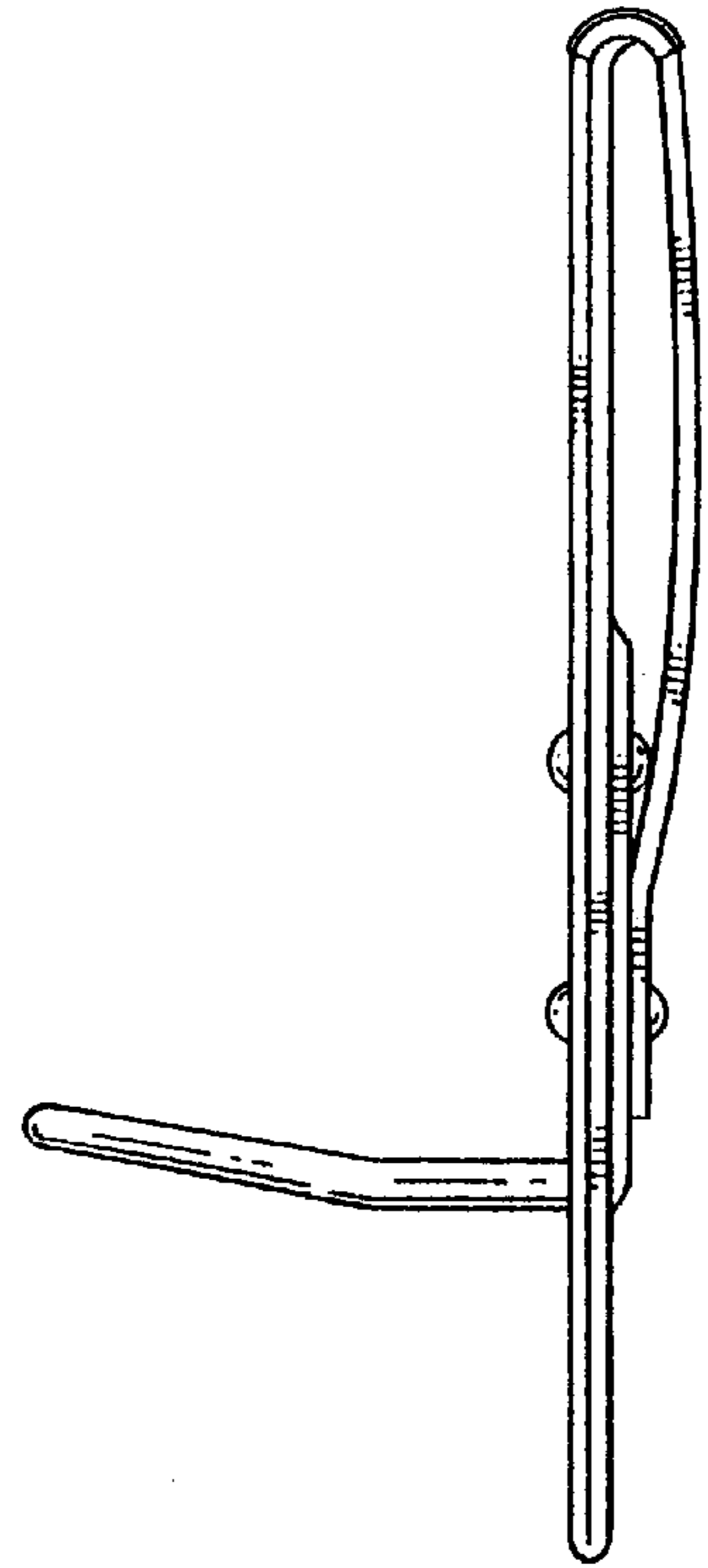


FIG. 3

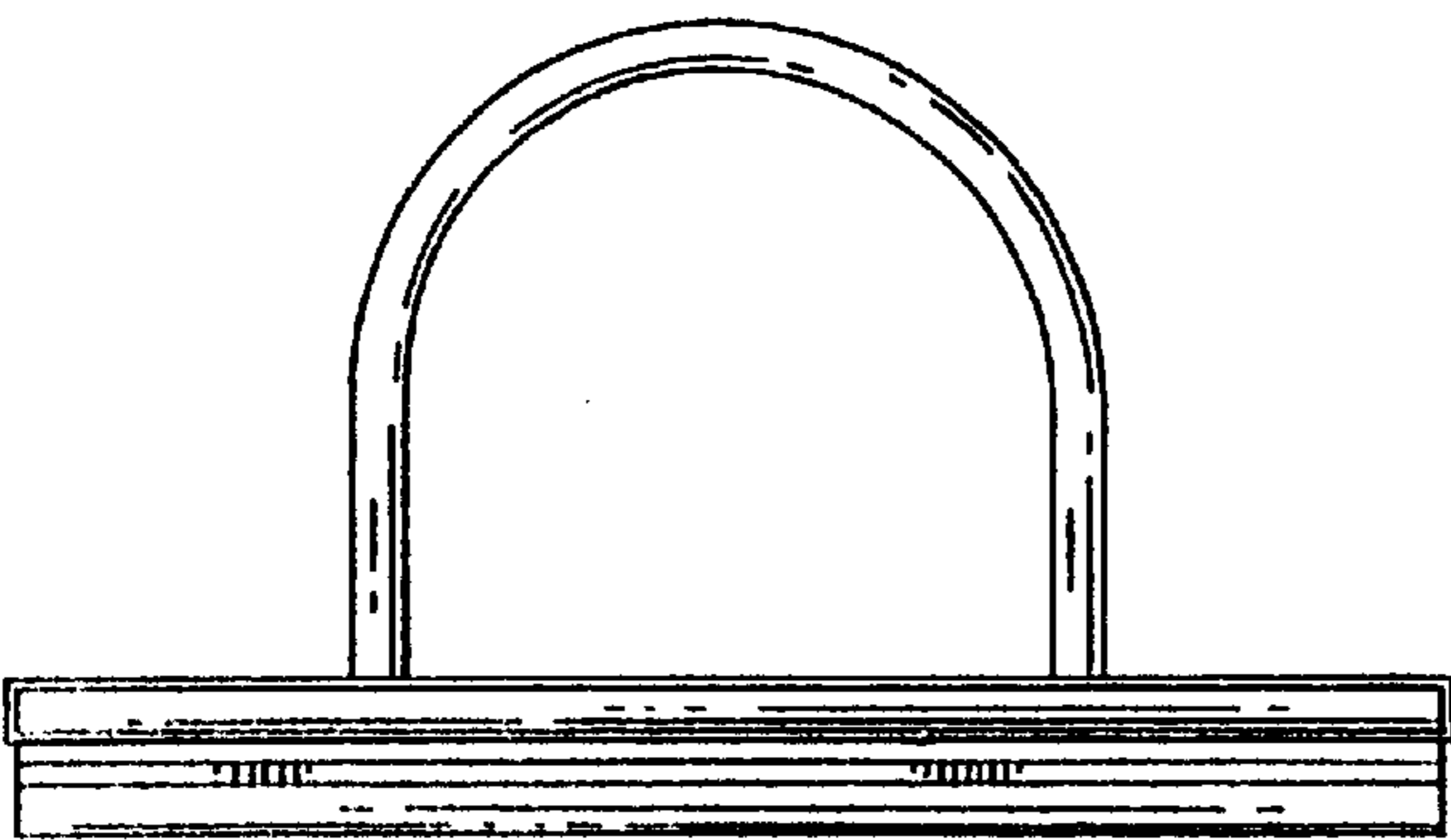


FIG. 6