



US00D452065B1

(12) **United States Design Patent**  
**Savoie**

(10) **Patent No.:** **US D452,065 S**

(45) **Date of Patent:** **\*\* Dec. 18, 2001**

(54) **REMOVABLE CLEAT**

5,025,576 \* 6/1991 Biasotto et al. .... 36/134  
5,655,317 \* 8/1997 Grant ..... 36/134

(75) Inventor: **Armand J. Savoie**, Gardner, MA (US)

\* cited by examiner

(73) Assignee: **MacNeill Engineering Company, Inc.**,  
Marlborough, MA (US)

*Primary Examiner*—Louis S. Zarfes

*Assistant Examiner*—Gregory Andoll

(\*\*) Term: **14 Years**

(74) *Attorney, Agent, or Firm*—Bromberg & Sunstein LLP

(21) Appl. No.: **29/141,328**

(57) **CLAIM**

(22) Filed: **May 3, 2001**

The ornamental design for a removable cleat, as shown and described.

(51) **LOC (7) Cl.** ..... **02-04**

**DESCRIPTION**

(52) **U.S. Cl.** ..... **D2/962**

(58) **Field of Search** ..... D2/962, 906; 36/127,  
36/134, 67 R, 67 A, 67 B, 67 C, 59 A,  
59 B, 59 R, 61, 62, 64, 65, 66

FIG. 1 shows an elevated top view of a removable cleat according to a preferred embodiment;

FIG. 2 shows a top plan view of the cleat of FIG. 1;

FIG. 3 shows a bottom plan view of the cleat of FIG. 1;

FIG. 4 shows a front side view of the cleat of FIG. 1;

FIG. 5 shows a left side view of the cleat of FIG. 1; and,

FIG. 6 shows a right side view of the cleat of FIG. 1.

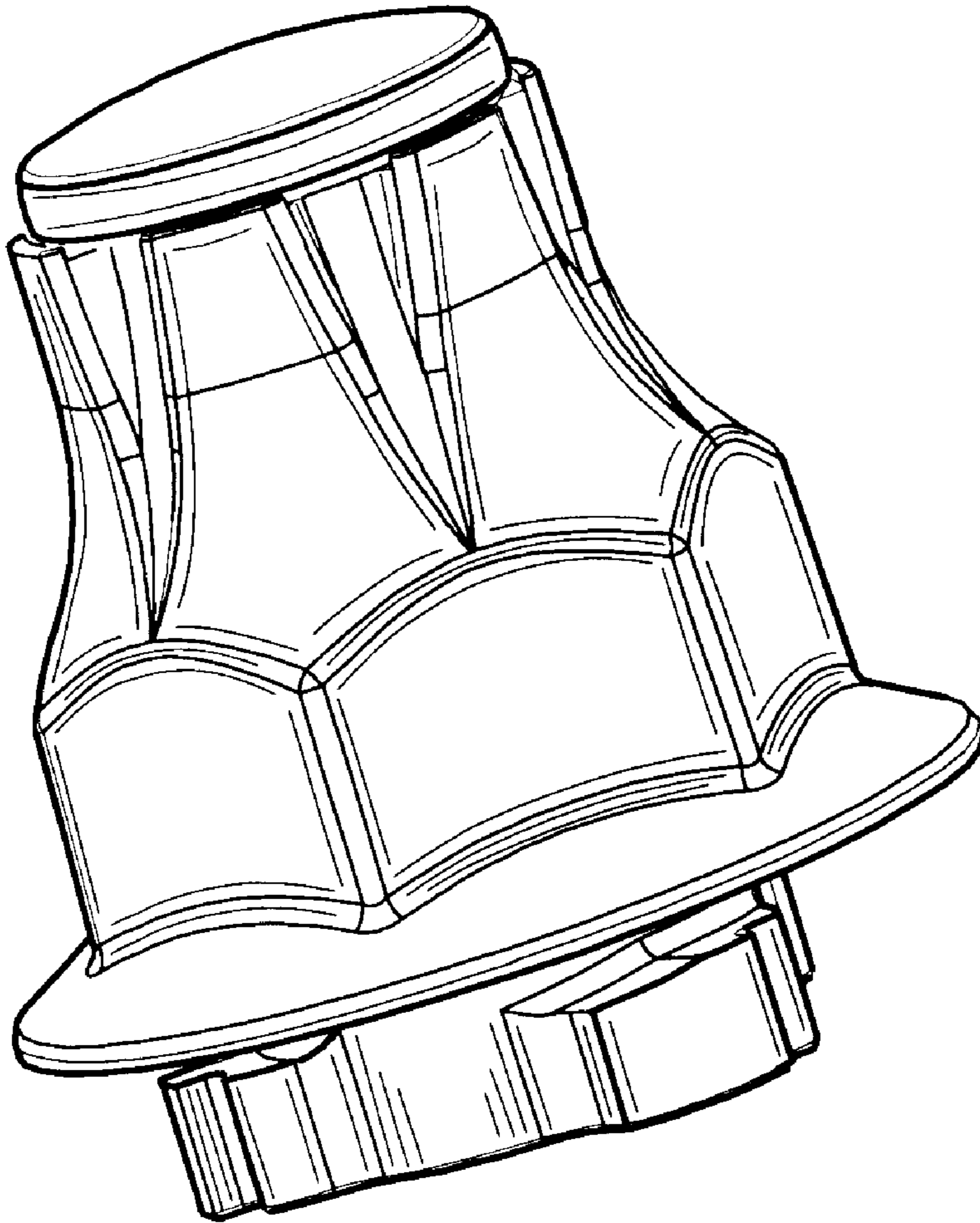
(56) **References Cited**

**U.S. PATENT DOCUMENTS**

D. 26,587 \* 2/1897 Rowe ..... D2/962

D. 198,123 \* 5/1964 Grant ..... D2/962

**1 Claim, 1 Drawing Sheet**



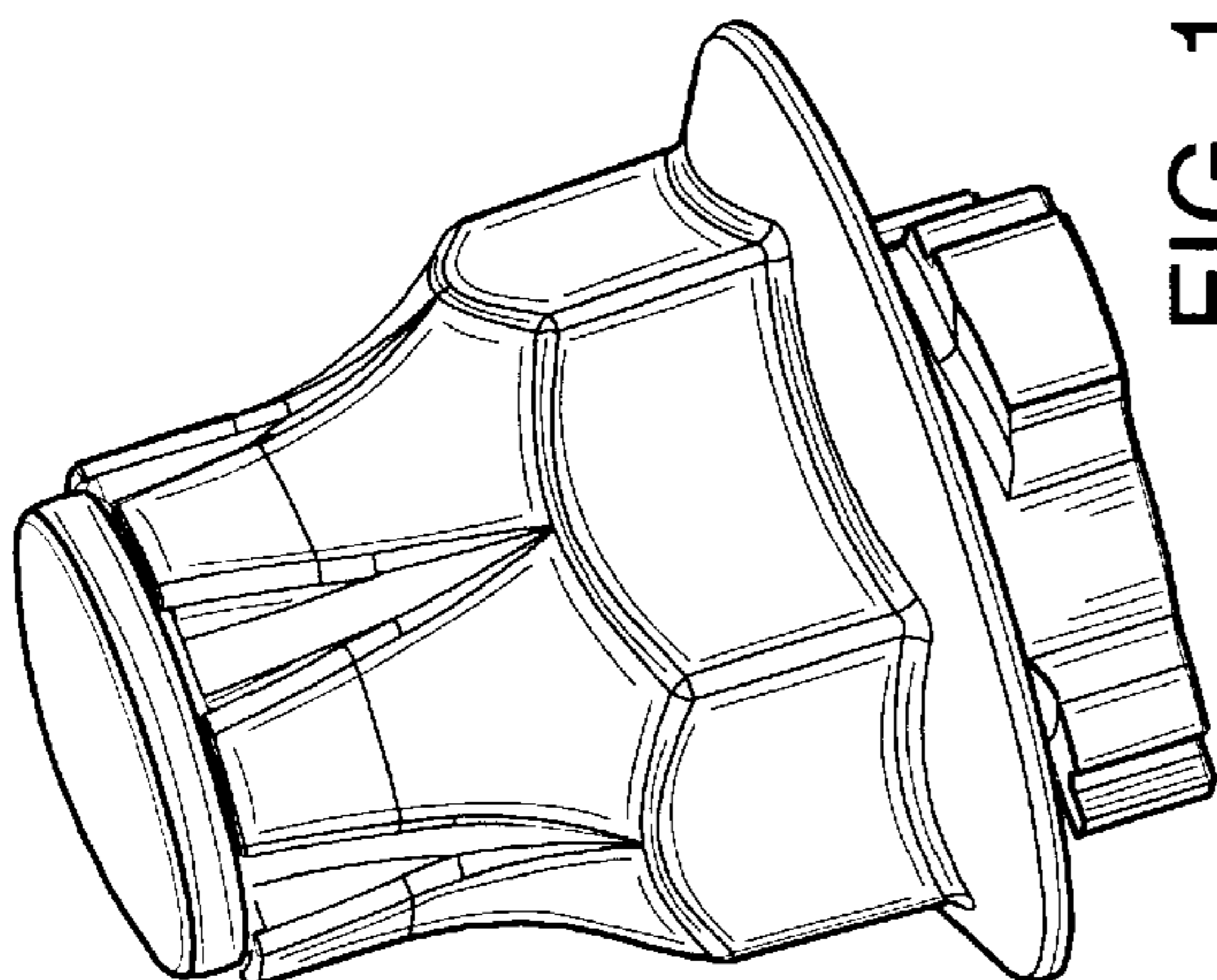


FIG. 1

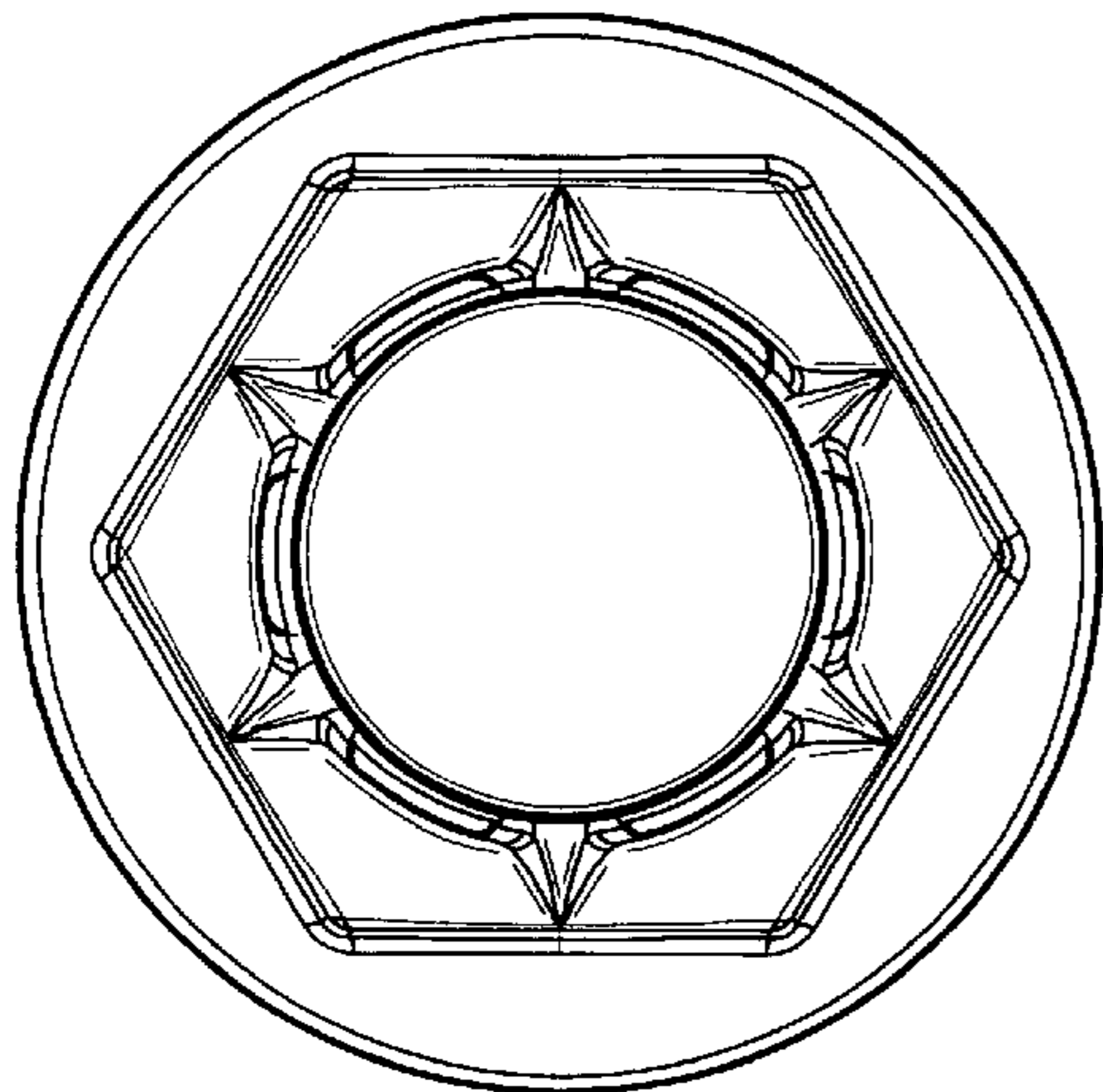


FIG. 2

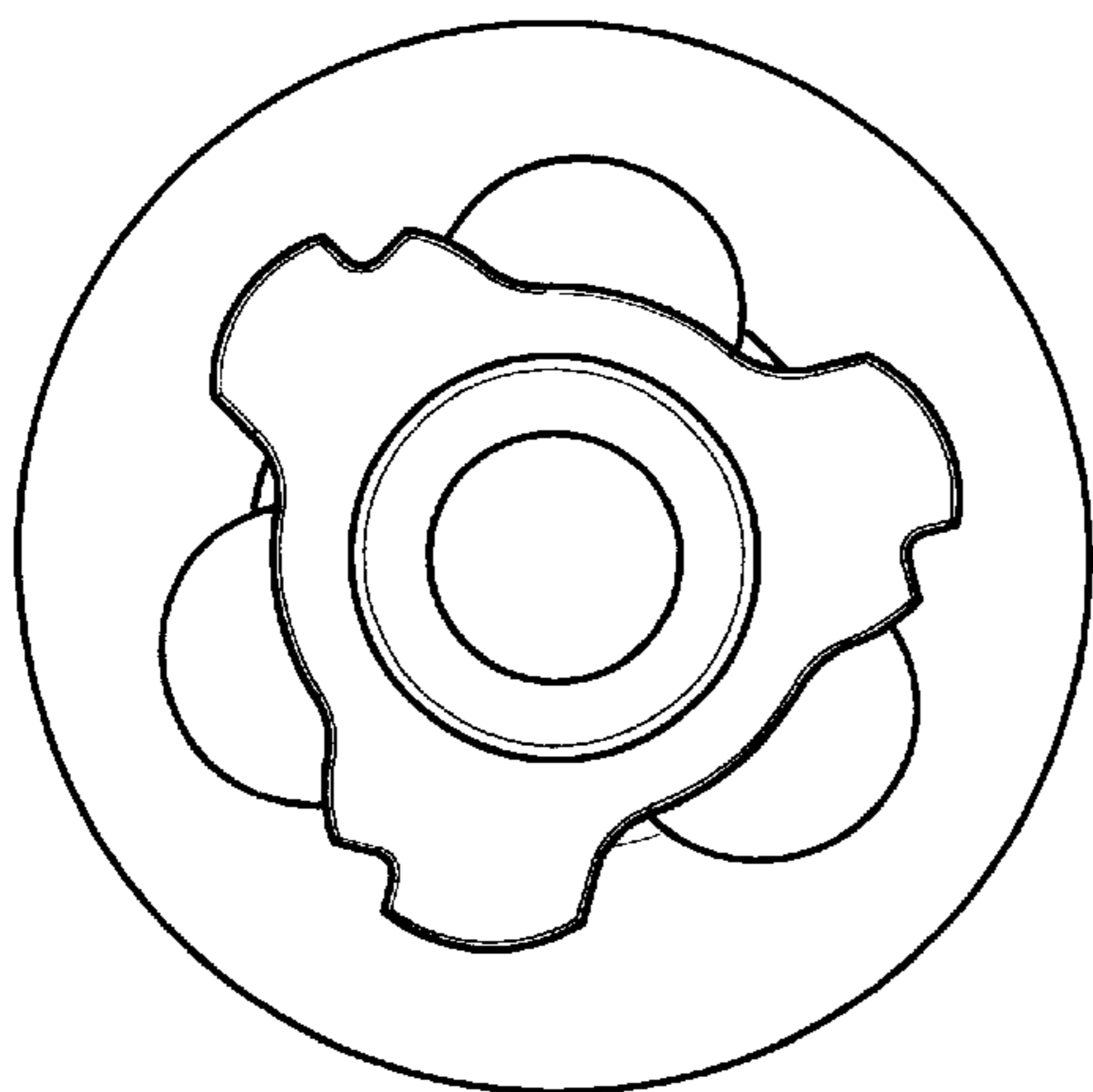


FIG. 3

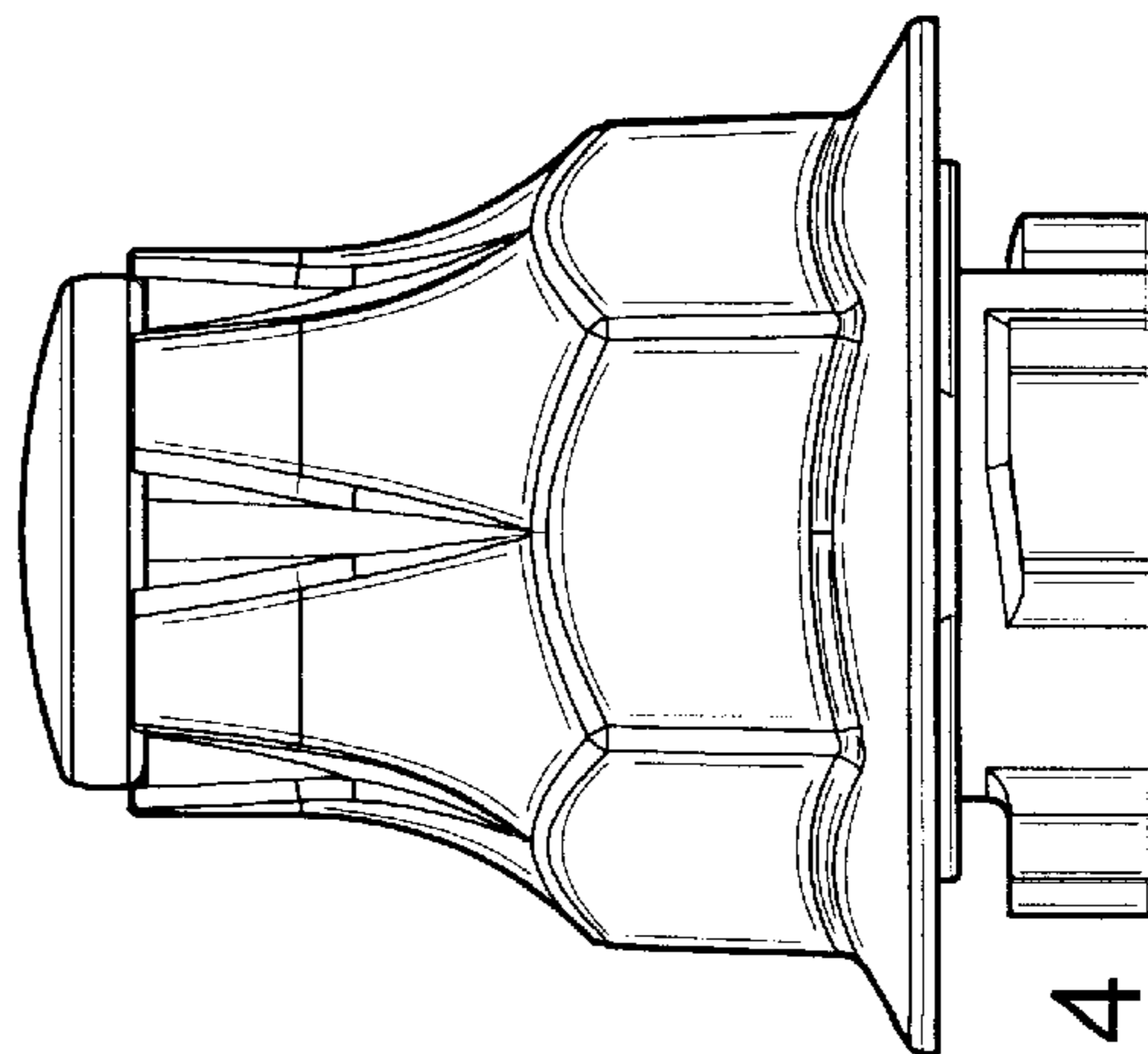


FIG. 4

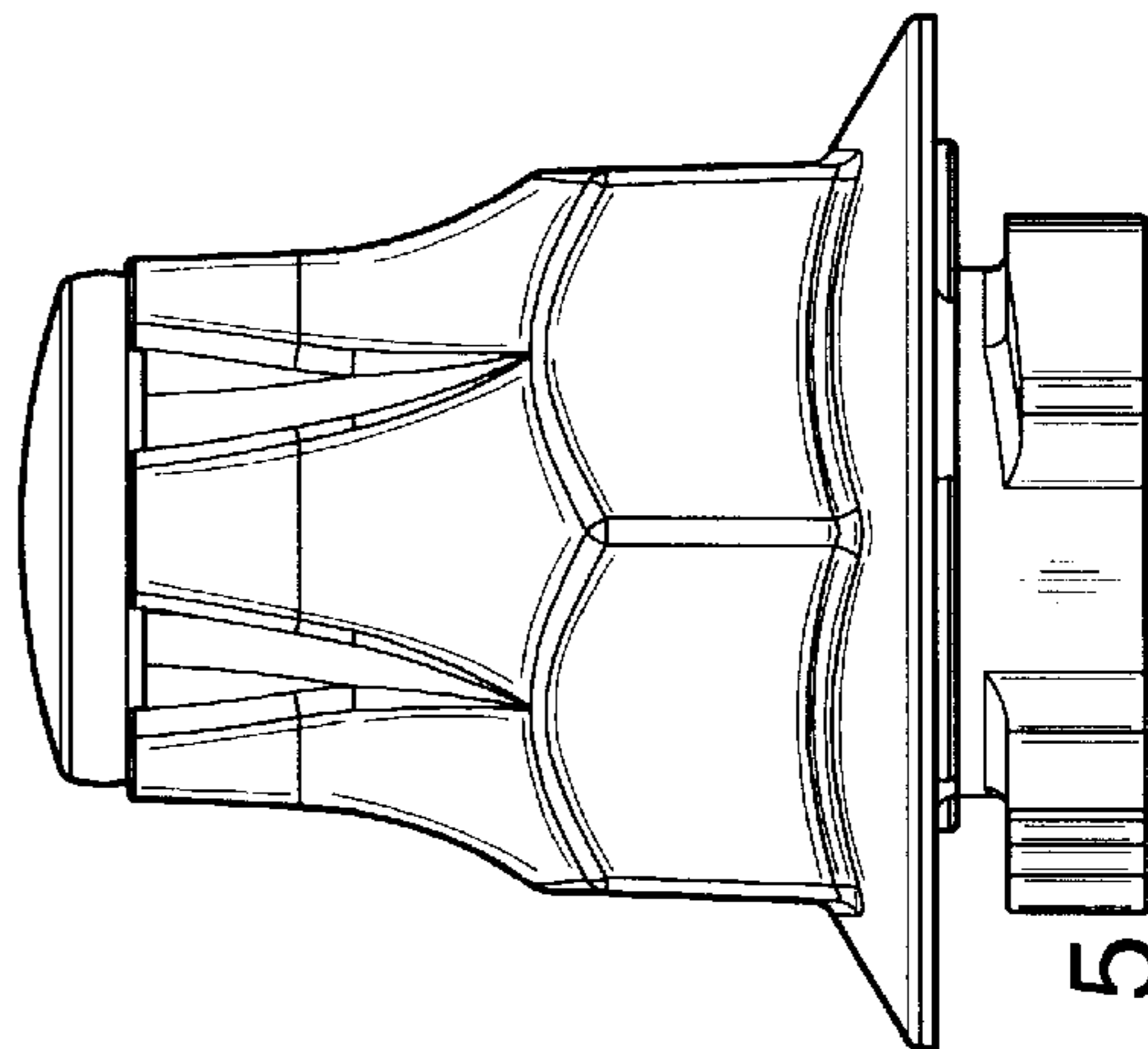


FIG. 5

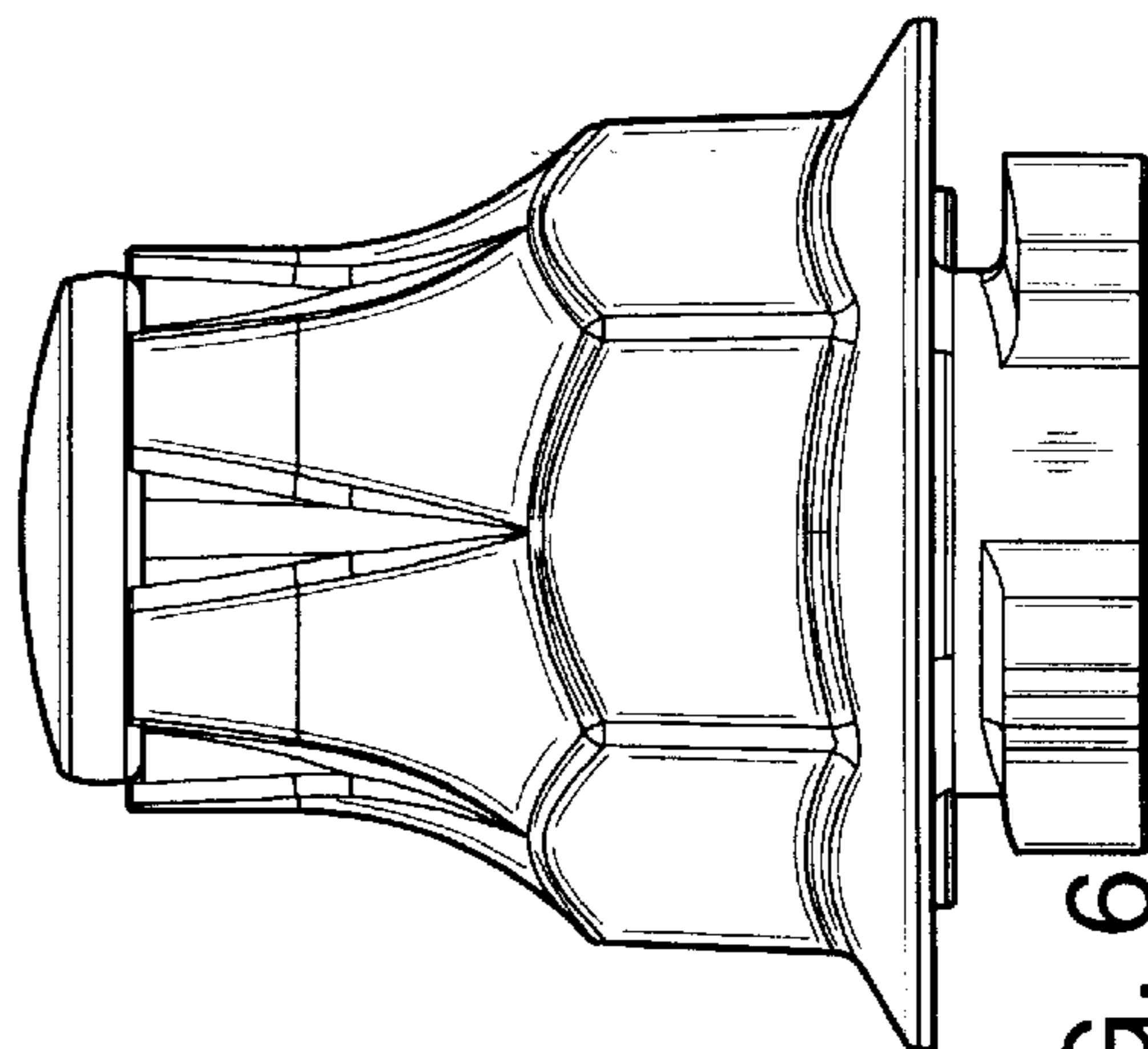


FIG. 6