



US00D452057B1

(12) **United States Design Patent**
French et al.

(10) **Patent No.: US D452,057 S**

(45) **Date of Patent: ** Dec. 11, 2001**

(54) **LOCKING SYSTEM FOR MANUAL DOLLY AND PALLET**

(76) Inventors: **William L. French**, Rte. 1, Box 1292, Pineville, MO (US) 64856; **Gerald D. Wilson**, 307 SW. 2nd St., Bentonville, AR (US) 72712; **Terence L. Post**, 1233 W. Brush Creek Dr., Rogers, AR (US) 72756

(**) Term: **14 Years**

(21) Appl. No.: **29/123,164**

(22) Filed: **May 11, 2000**

(51) **LOC (7) Cl. 09-08**

(52) **U.S. Cl. D34/38**

(58) **Field of Search** D34/28, 38; 108/51.1, 108/51.11, 53.1, 56.1, 56.3, 55.3, 57.1, 57.28

(56) **References Cited**

U.S. PATENT DOCUMENTS

D. 217,861	*	6/1970	Bartee	D34/38
D. 228,897	*	10/1973	Melnick et al.	D34/38
D. 229,043	*	11/1973	Melnick et al.	D34/38
D. 279,418	*	6/1985	Helmer	D34/38
D. 279,617	*	7/1985	Helmer	D34/38
D. 348,136	*	6/1994	Haag et al.	D34/38
D. 371,670	*	7/1996	Carlsson	D34/38
D. 371,881	*	7/1996	Provot	D34/38
D. 374,536	*	10/1996	Elder et al.	D34/38
D. 393,518	*	4/1998	Hampel	D34/38
D. 417,765	*	12/1999	Morcello	D34/38
D. 422,768	*	4/2000	Gunn	D34/38
2,346,649		4/1944	Bilek et al.	214/65.4
2,420,001		5/1947	McCollum	280/78

2,869,886	1/1959	Wardell	280/47.18	
3,038,622	6/1962	Quayle	214/350	
3,707,929	*	1/1973	Lauffer	108/51.1
3,761,107	9/1973	Docherty et al.	280/34	
3,777,923	12/1973	Padgett	214/506	
4,469,341	9/1984	Creim	280/47.26	
4,981,412	1/1991	Hawkins	414/490	
5,294,145	3/1994	Cheng	280/654	
5,356,163	10/1994	Suggs, Sr.	280/47.27	
5,433,469	7/1995	Cassels	280/655	
5,570,643	11/1996	Werner	108/51.1	
5,716,061	2/1998	Sloan et al.	280/43.23	
6,148,740	*	11/2000	Jackel et al.	108/51.11

* cited by examiner

Primary Examiner—Cynthia E. Ramirez

(74) *Attorney, Agent, or Firm*—Head, Johnson & Kachigian; Trent C. Keisling

(57) **CLAIM**

The ornamental design for a locking system for manual dolly and pallet, as shown and described.

DESCRIPTION

FIG. 1 is a top perspective view of a locking system for manual dolly and pallet showing our new design; FIG. 2 is a bottom perspective view thereof; FIG. 3 is a left side elevational view thereof; FIG. 4 is a right side elevational view thereof; FIG. 5 is a rear view thereof; FIG. 6 is a front view thereof; FIG. 7 is a top elevational view thereof; and, FIG. 8 is a bottom elevational view thereof. The broken line showing of a box and a fork lift is for illustrative purposes only and forms no part of the claimed design.

1 Claim, 2 Drawing Sheets

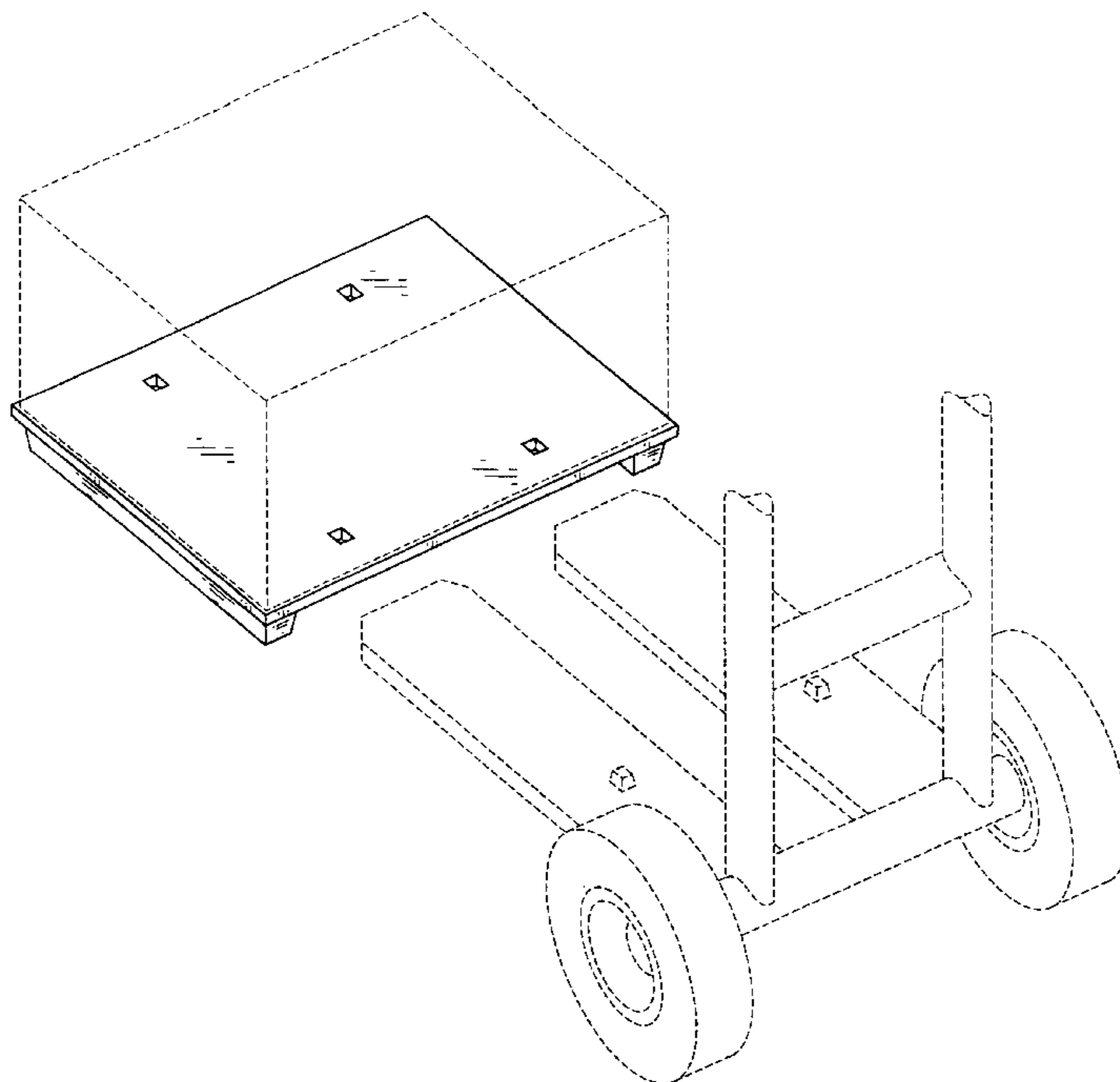


FIG. 1

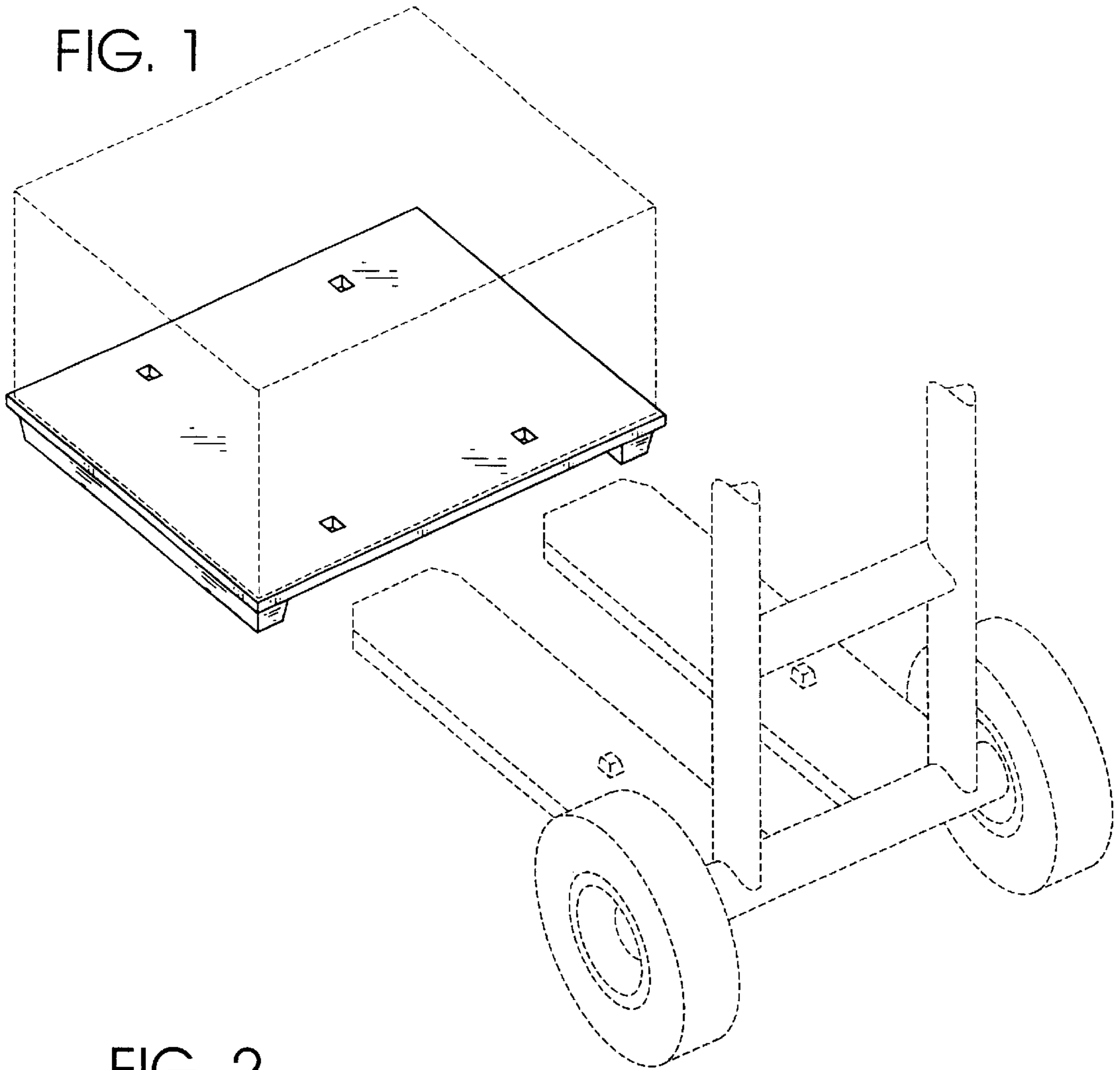


FIG. 2

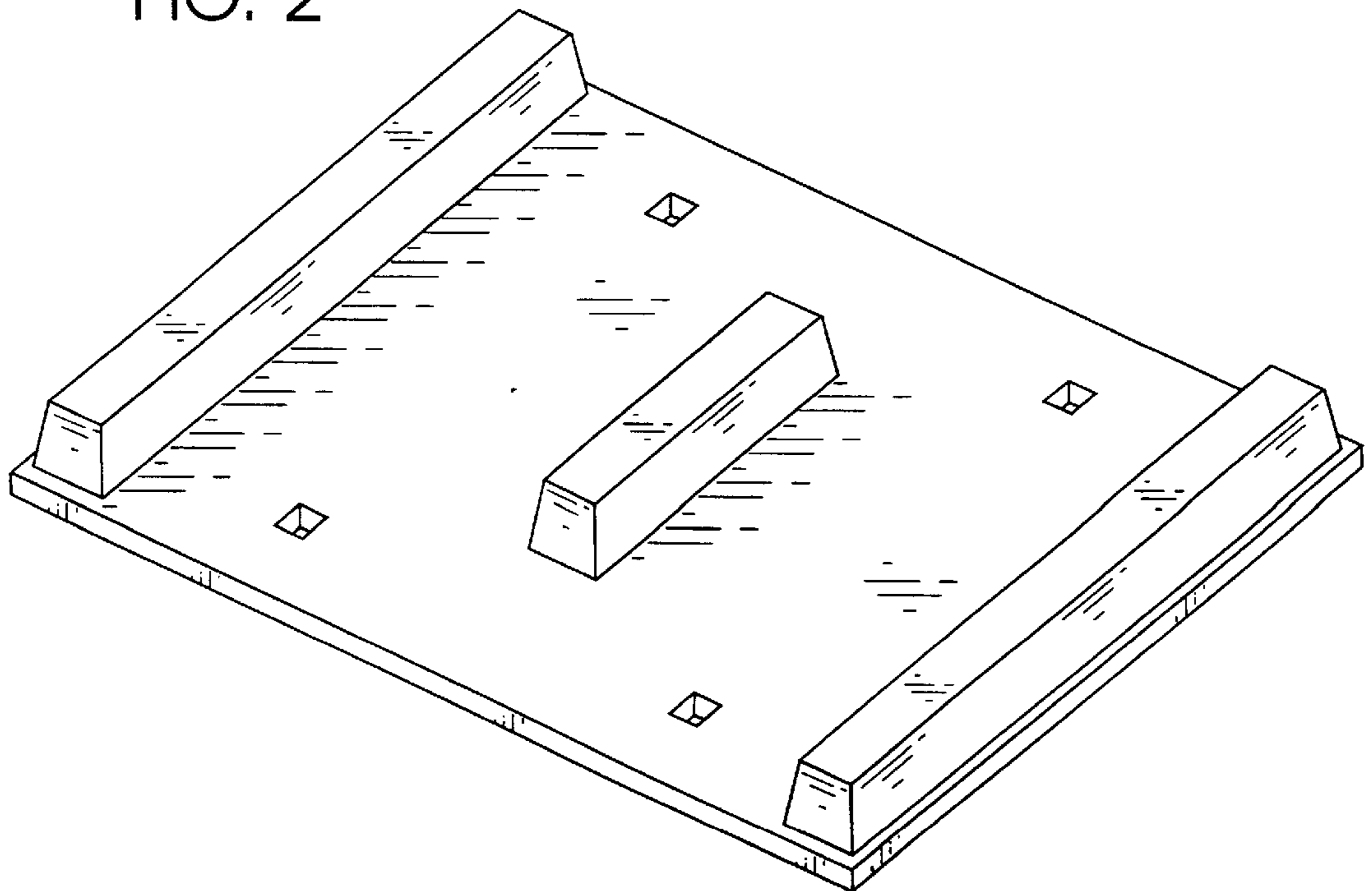


FIG. 3

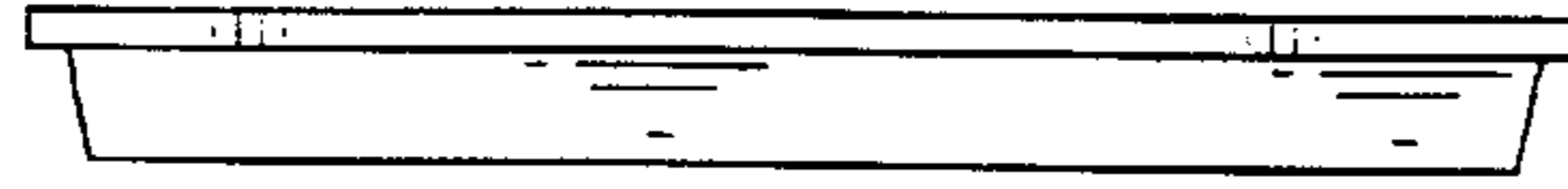


FIG. 4

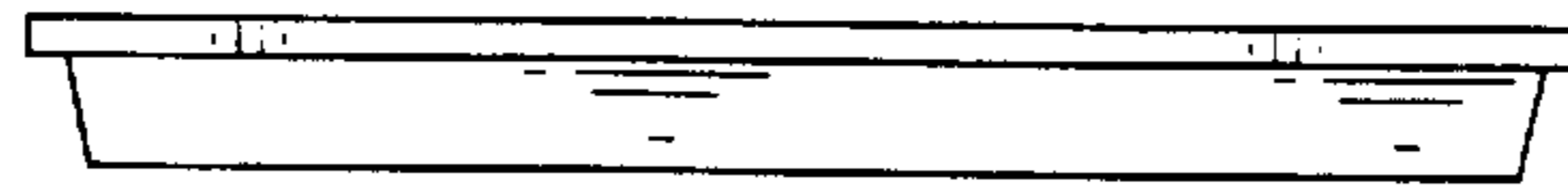


FIG. 5



FIG. 6



FIG. 7

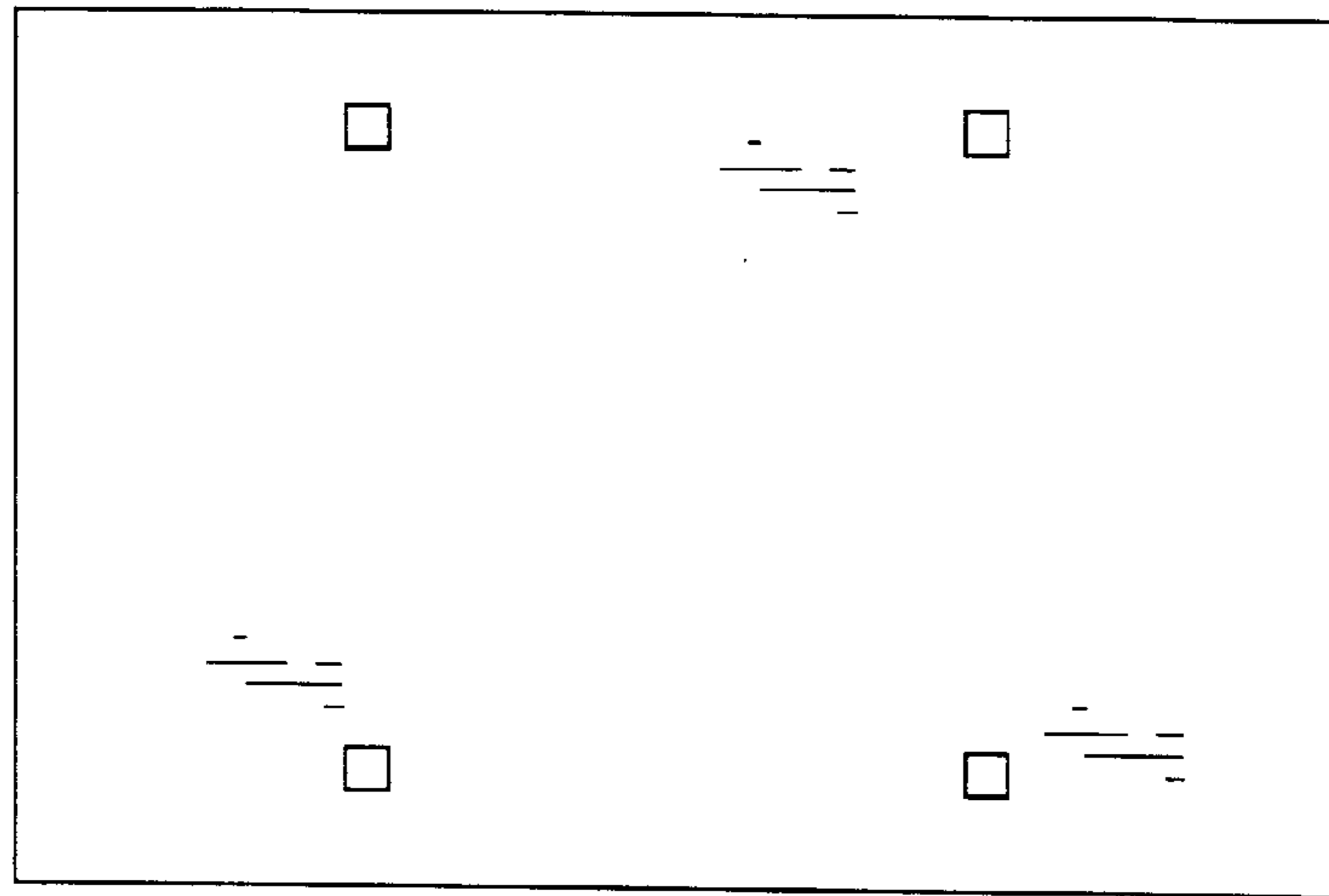


FIG. 8

