



US00D452054B1

(12) **United States Design Patent**
Chan

(10) **Patent No.:** **US D452,054 S**

(45) **Date of Patent:** **** Dec. 11, 2001**

(54) **GOLF CART**

(76) Inventor: **Corwyn D. Chan**, 109 des Rossignols,
Cowansville, Quebec (CA), J2K 3W5

(**) Term: **14 Years**

(21) Appl. No.: **29/131,392**

(22) Filed: **Oct. 20, 2000**

(51) **LOC (7) Cl.** **12-02**

(52) **U.S. Cl.** **D34/15**

(58) **Field of Search** D34/12-27; D12/16;
280/DIG. 5, DIG. 6, 62, 47.19, 47.26, 47.17,
47.18, 47.24, 30, 40, 41; 180/19.3, 19.1,
65.6

(56) **References Cited**

U.S. PATENT DOCUMENTS

D. 292,039 * 9/1987 Moore D34/15

D. 321,964 * 11/1991 Alterbaum D34/15

D. 348,965 * 7/1994 Machen et al. D34/15

D. 425,447 * 5/2000 Hsieh D12/16

* cited by examiner

Primary Examiner—Kay H. Chin

(74) *Attorney, Agent, or Firm*—Eric Fincham

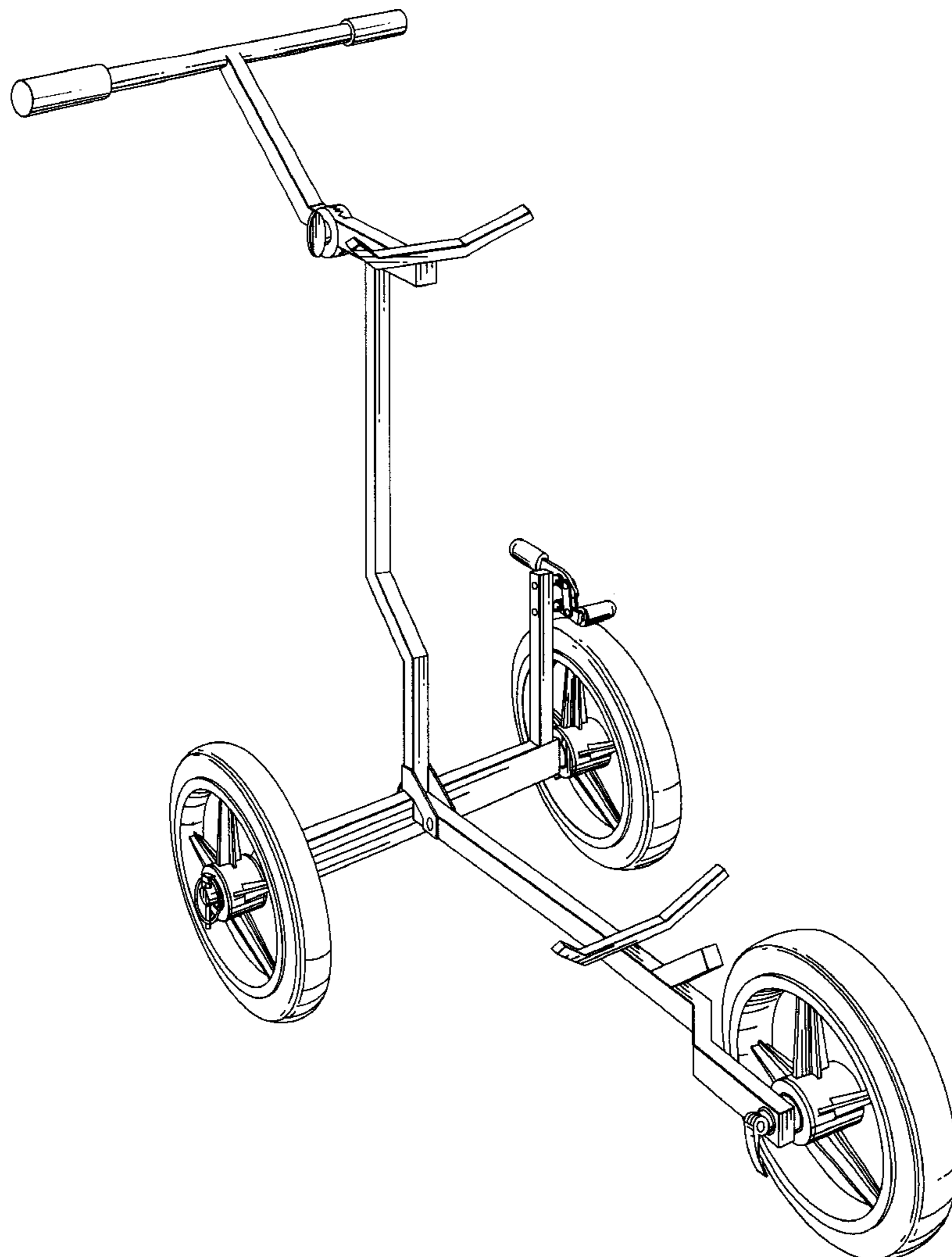
(57) **CLAIM**

The ornamental design for a golf cart, as shown and described.

DESCRIPTION

FIG. 1 is a perspective view of the golf cart;
FIG. 2 is a side elevational view thereof as seen from the left hand side of FIG. 1;
FIG. 3 is a front elevational view thereof;
FIG. 4 is a rear elevational view thereof;
FIG. 5 is a side elevational view thereof as seen from the right hand side of FIG. 1; and,
FIG. 6 is a top plan view thereof.

1 Claim, 3 Drawing Sheets



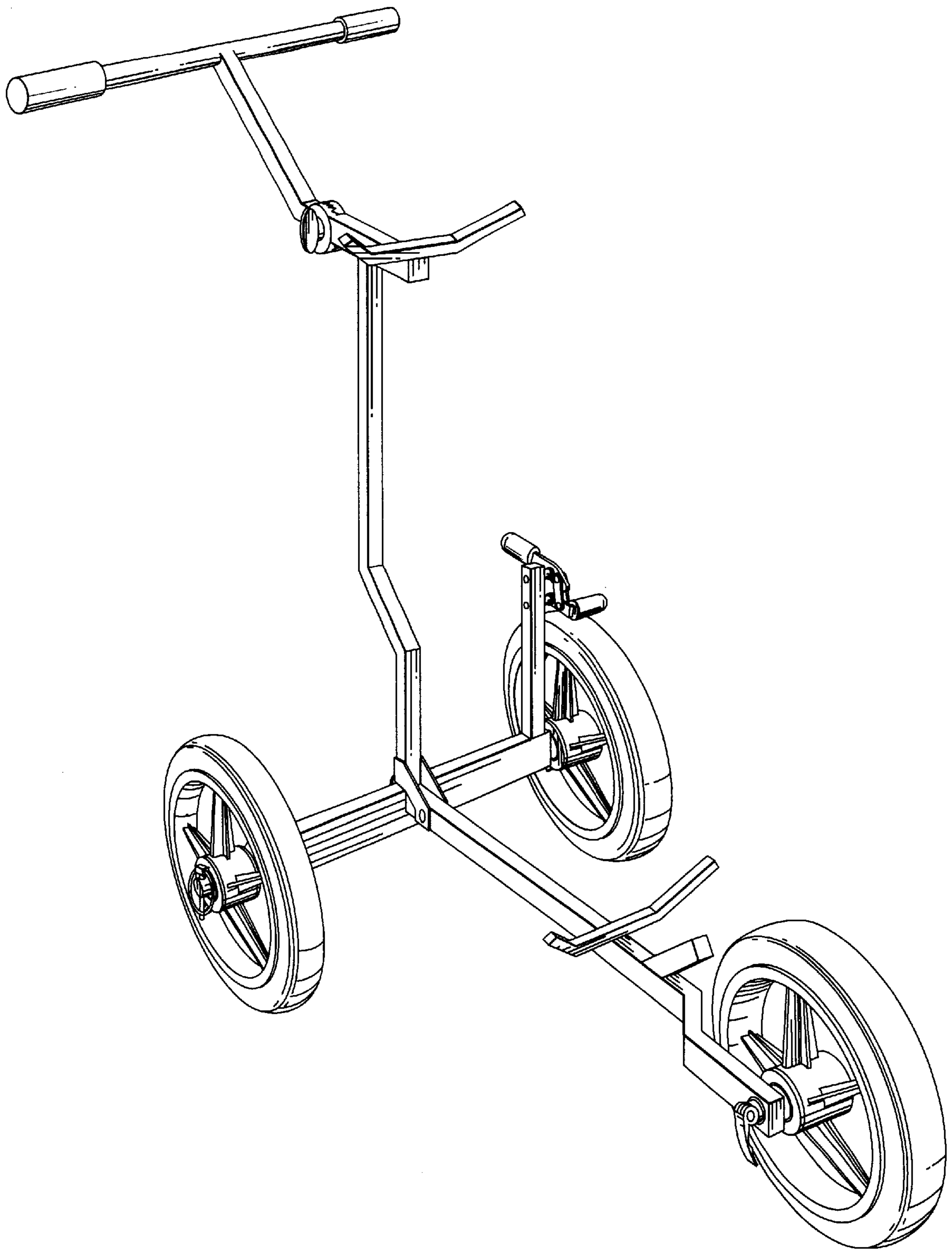


Fig. 1

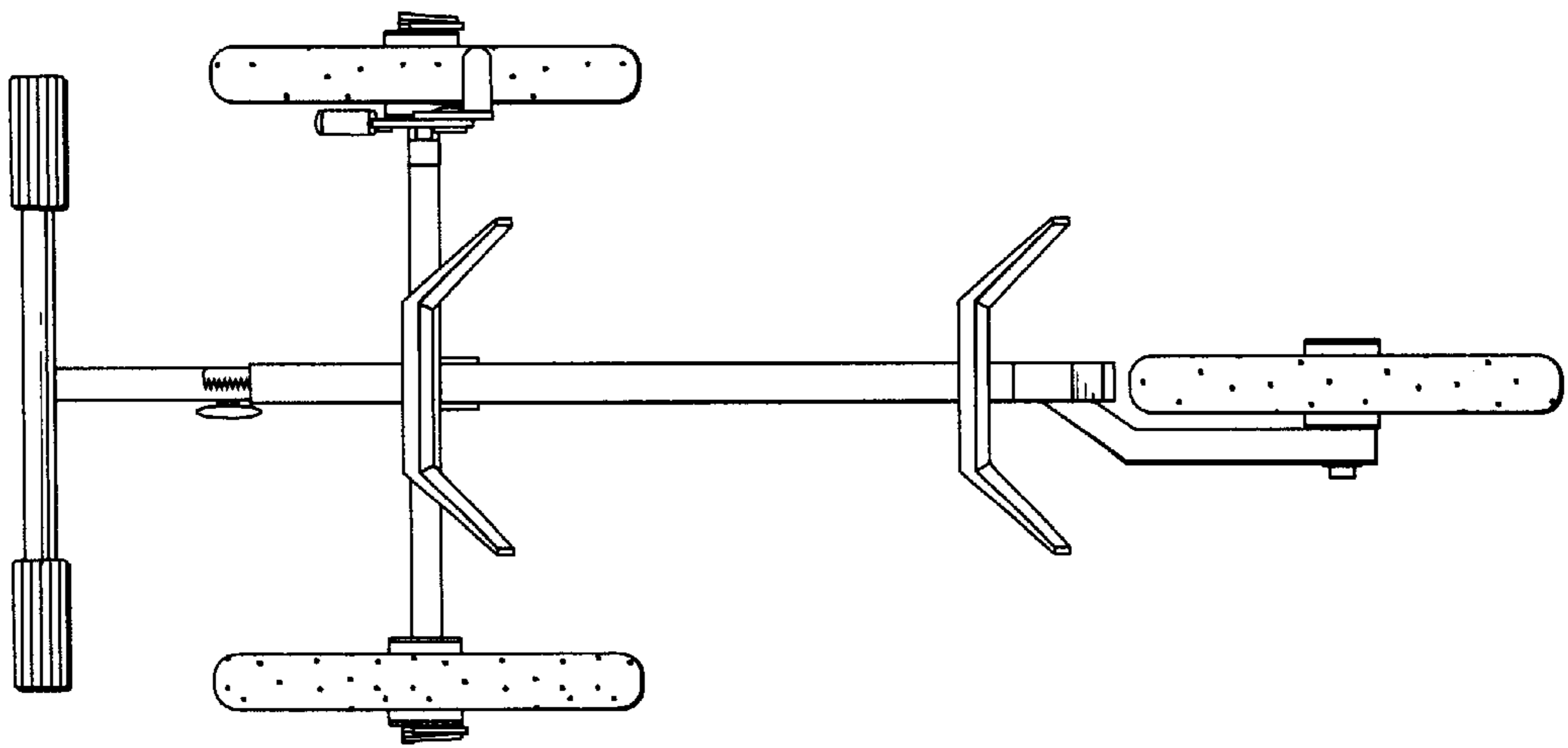


Fig. 6

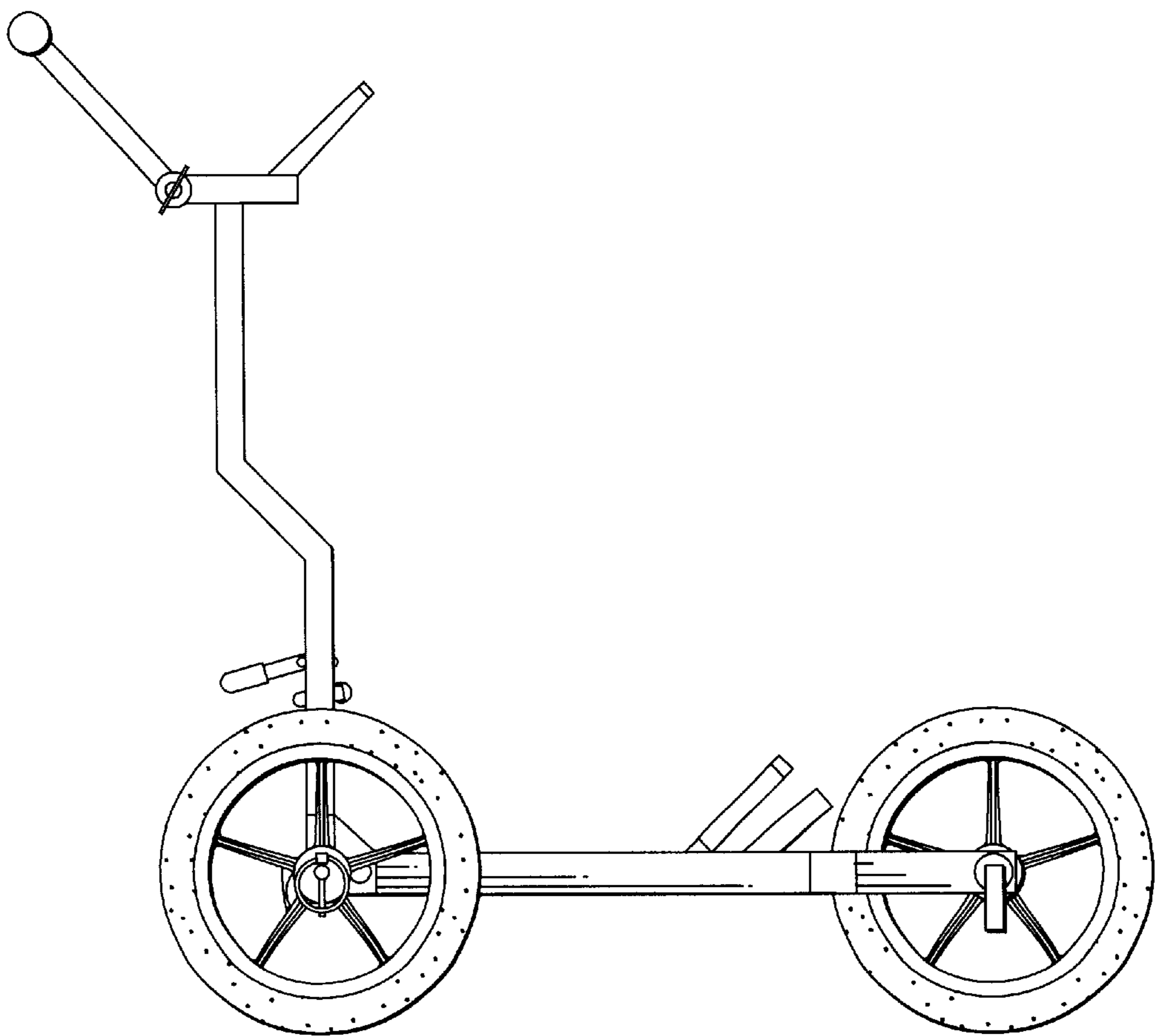


Fig. 2

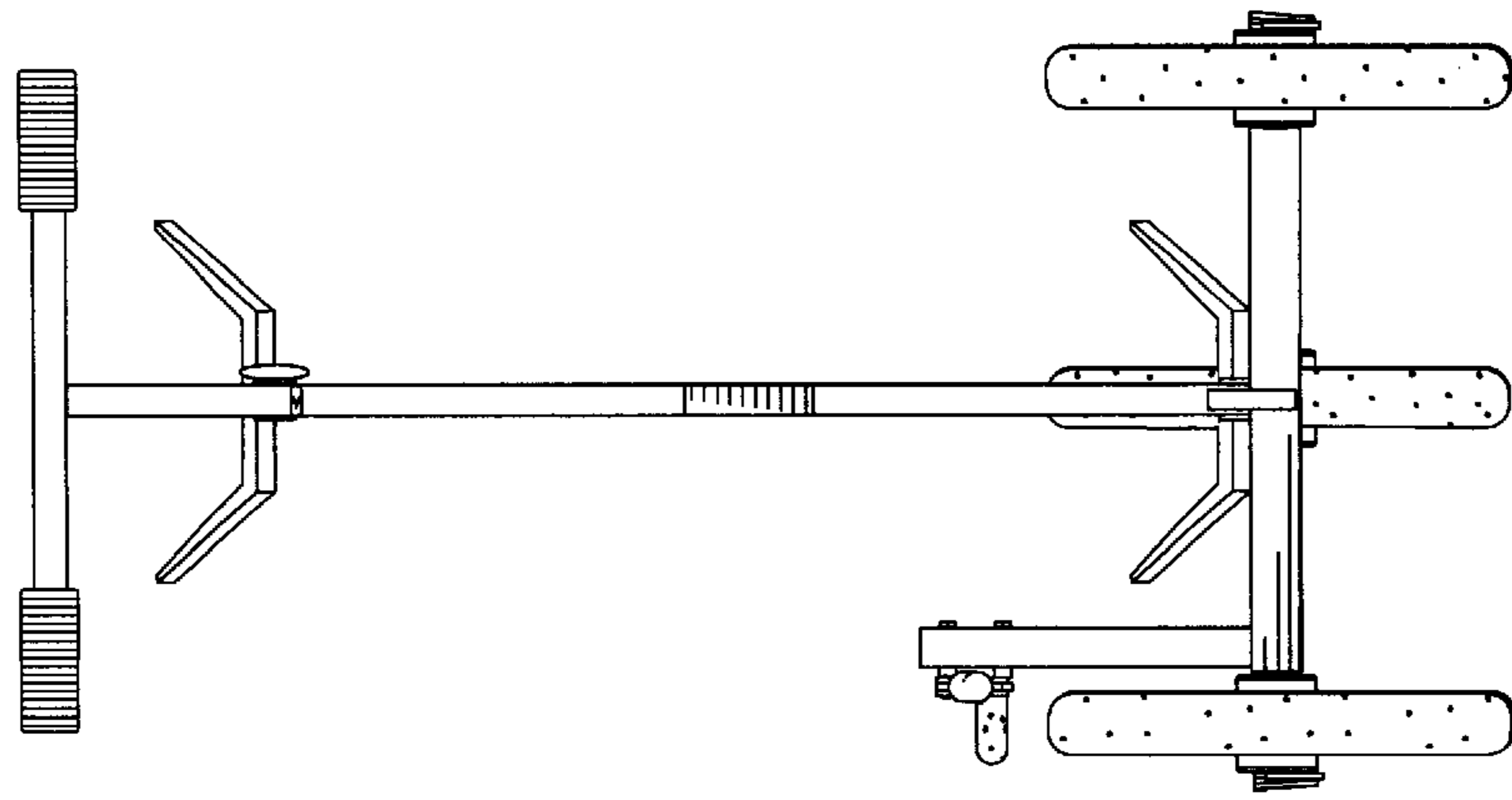


Fig. 4

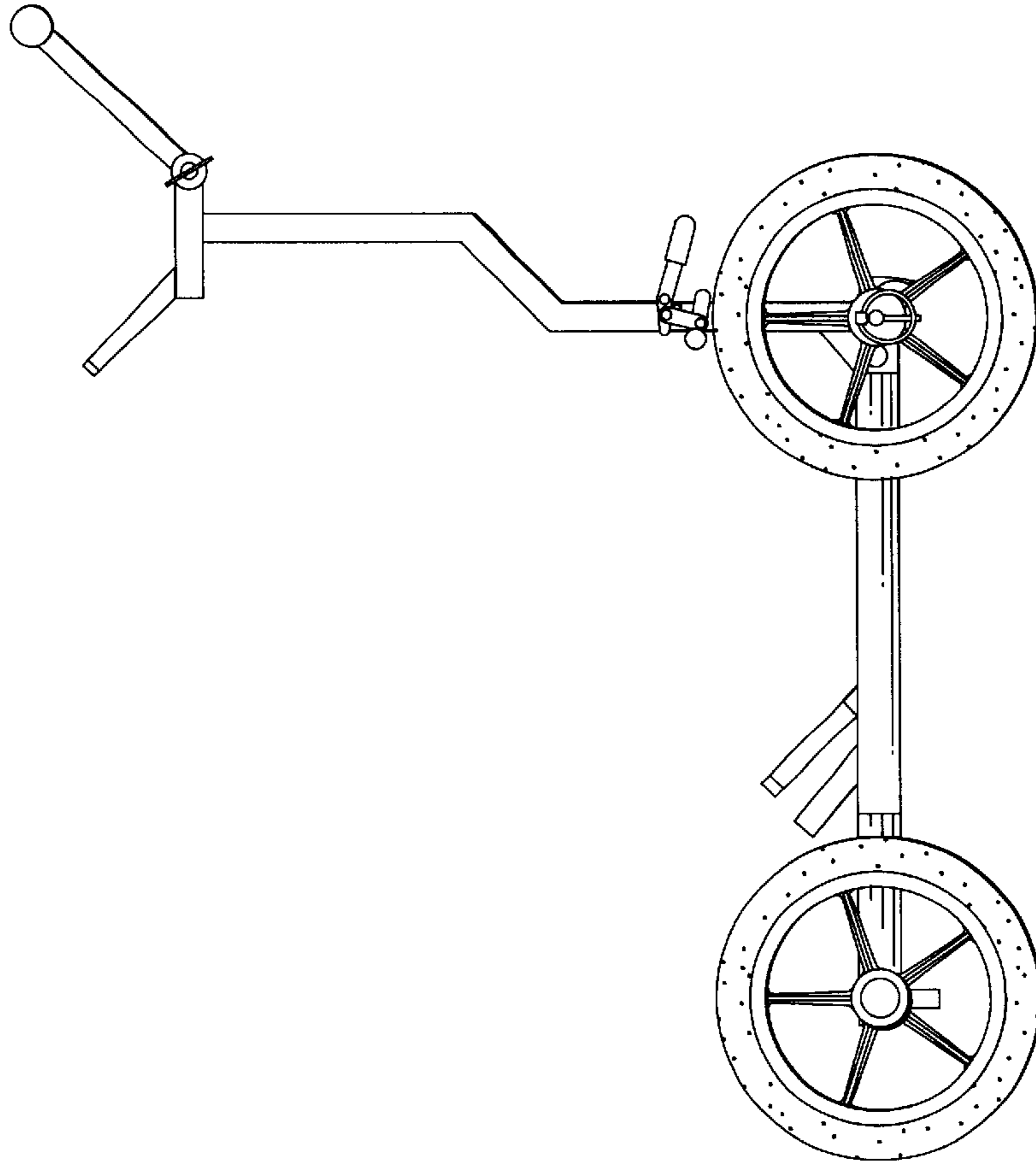


Fig. 5

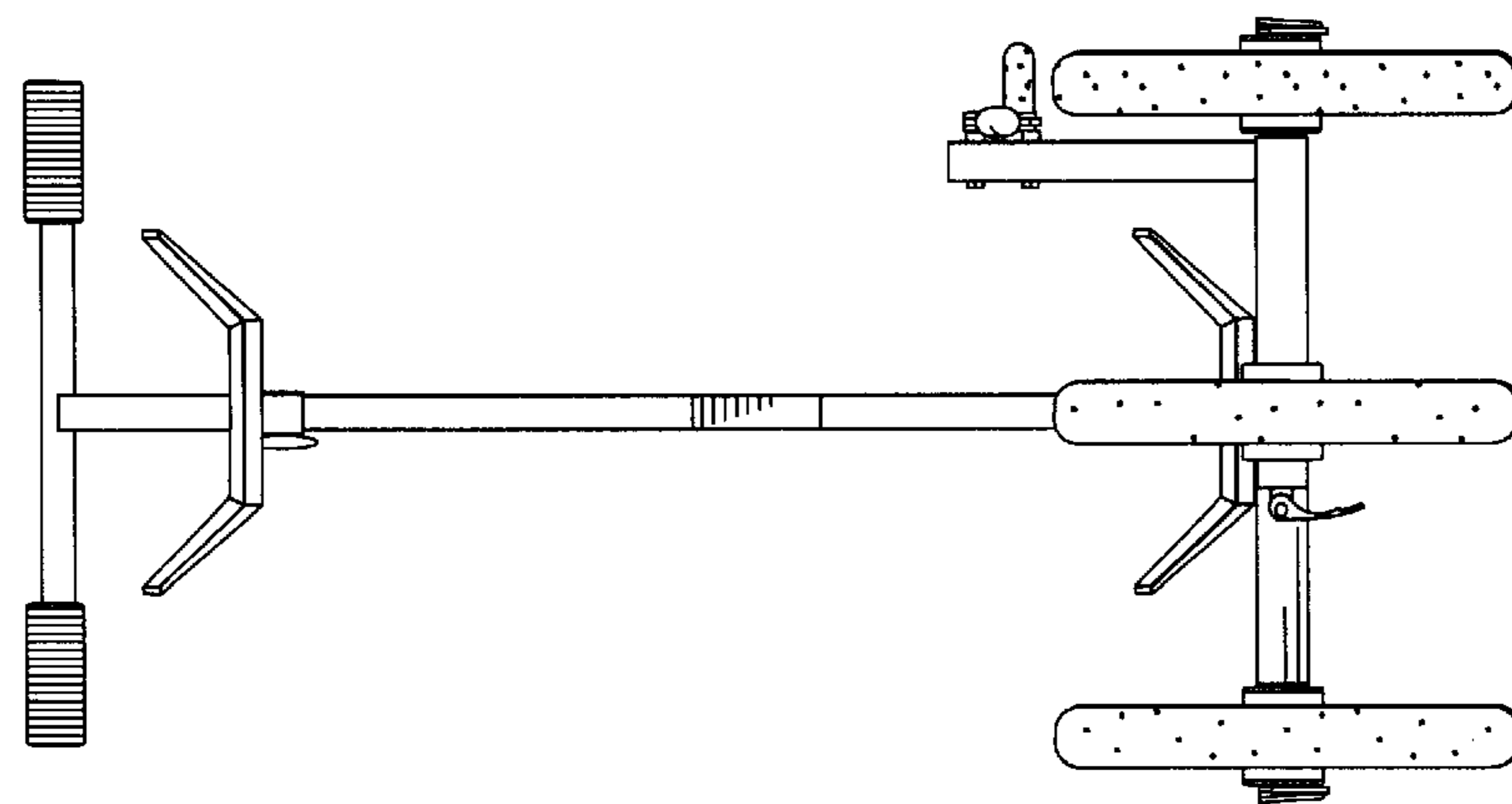


Fig. 3