



US00D452050B1

(12) **United States Design Patent**
Ritchey

(10) **Patent No.:** **US D452,050 S**

(45) **Date of Patent:** **** Dec. 11, 2001**

(54) **PET TOY**

(75) **Inventor:** **Sharon A. Ritchey, Phoenix, AZ (US)**

(73) **Assignee:** **Cats with an Attitude, Inc., Phoenix, AZ (US)**

(**) **Term:** **14 Years**

(21) **Appl. No.:** **29/116,601**

(22) **Filed:** **Jan. 6, 1999**

(51) **LOC (7) Cl.** **30-99**

(52) **U.S. Cl.** **D30/160**

(58) **Field of Search** D30/160, 156;
119/706-711; D21/567; 231/2.1, 3, 4, 5

(56) **References Cited**

U.S. PATENT DOCUMENTS

D. 38,325	*	11/1906	Trimmis	D30/156
284,351	*	9/1883	Arnold	231/5
D. 309,964	*	8/1990	Viner et al.	D30/160
D. 318,150	*	7/1991	Eitel et al.	D30/160
369,015	*	8/1887	Knapp	231/5
4,499,855	*	2/1985	Galkiewicz	119/708
4,517,922	*	5/1985	Lind	119/708
4,577,590	*	3/1986	Skroch	119/706
4,712,510	*	12/1987	Tae-Ho	119/708
4,770,123	*	9/1988	Bell	119/709
4,863,095	*	9/1989	Crane	231/2.1
4,930,448	*	6/1990	Robinson	119/708
4,940,018	*	7/1990	Edling	119/708
5,314,369	*	5/1994	Gamble	446/247
5,639,020	*	6/1997	Yau	231/2.1
5,743,215	*	4/1998	Zeff	119/708
5,755,184	*	5/1998	Neidenberger	119/707
5,782,207	*	7/1998	Goodham	119/707

5,875,737	*	3/1999	Boshears	119/706
5,924,387	*	7/1999	Schramer	119/708
6,089,947	*	7/2000	Green	446/268

OTHER PUBLICATIONS

R.C.Steele Wholesale Pet Supplies catalog; p. 4 #W20-3369—Cat Charmer.*
PETUSA Catalog; p. 38 #21-JY20117—Tiny Treasurer.*
R.C.Steele Wholesale Pet Equipment and Kennel Supplies; p. 5 #V20-3239—Teasers.*
R.C.Steele Wholesale Pet Equipment and Kennel Supplies; p. 5 #V20-3145—Twisty Squirrel.*

* cited by examiner

Primary Examiner—Cathy Anne MacCormac
(74) *Attorney, Agent, or Firm*—Jordan M. Meschkow; Lowell W. Gresham; Meschkow & Gresham, P.L.C.

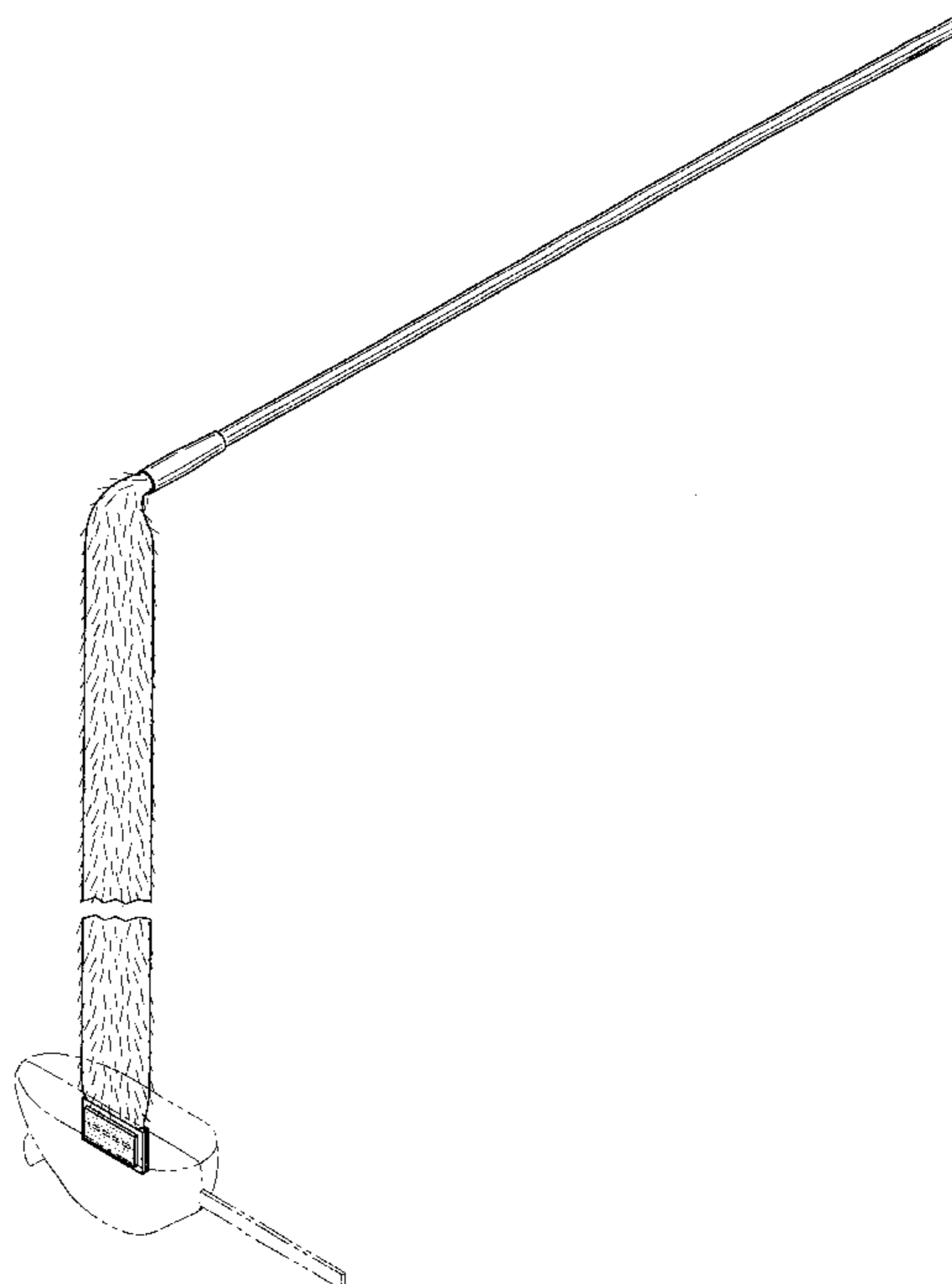
(57) **CLAIM**

The ornamental design for a pet toy, as shown and described.

DESCRIPTION

FIG. 1 is a front perspective view of a pet toy, showing my new design;
FIG. 2 is a side view thereof, showing the left side, the right side being a mirror image;
FIG. 3 is a front view thereof;
FIG. 4 is a rear view thereof;
FIG. 5 is a top plan view thereof; and,
FIG. 6 is a bottom plan view thereof.
FIGS. 1-4 are broken away to show indeterminate length. The broken lines are for illustrative purposes only and form no part of the claimed design.

1 Claim, 5 Drawing Sheets



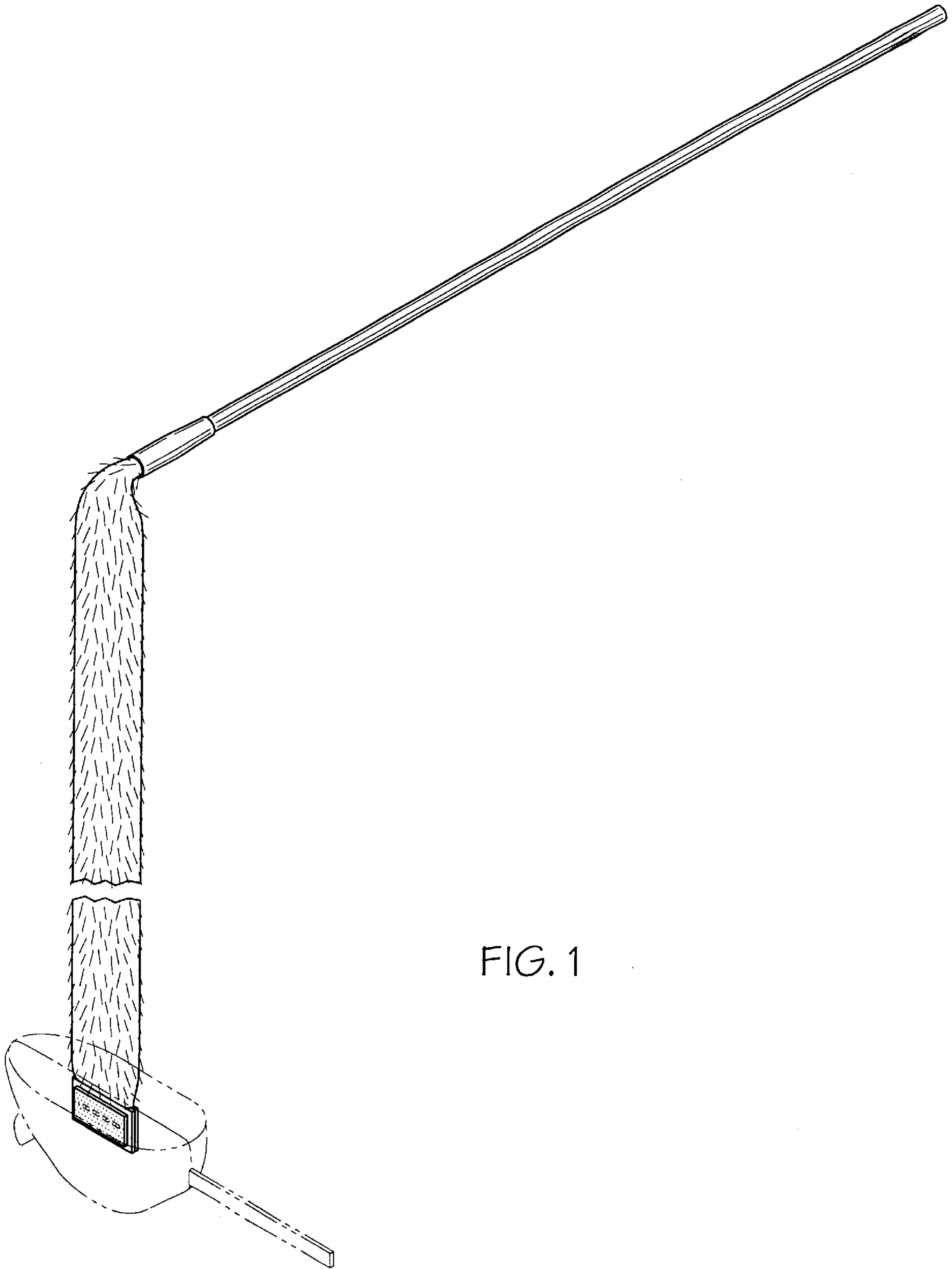


FIG. 1

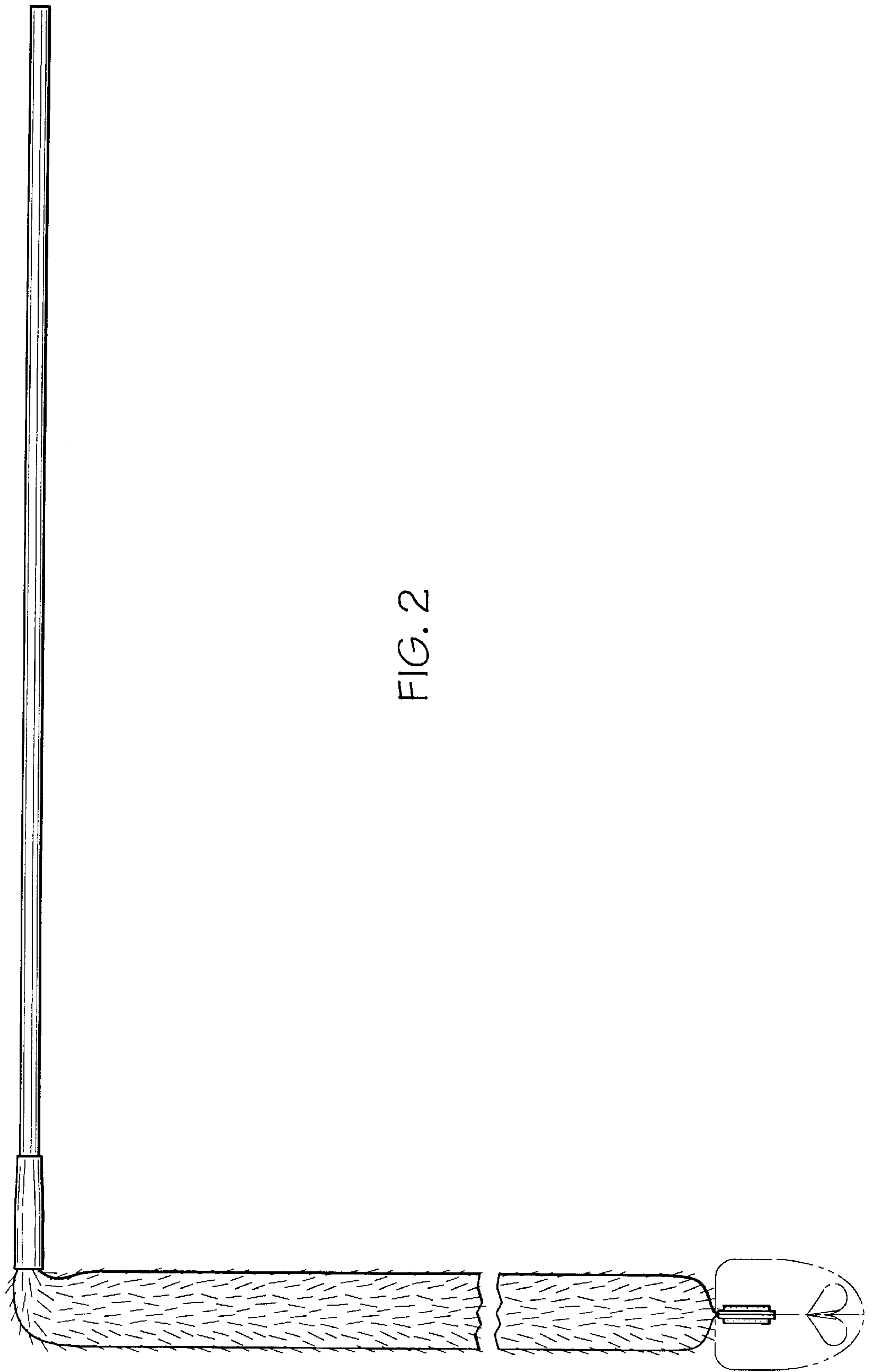


FIG. 2

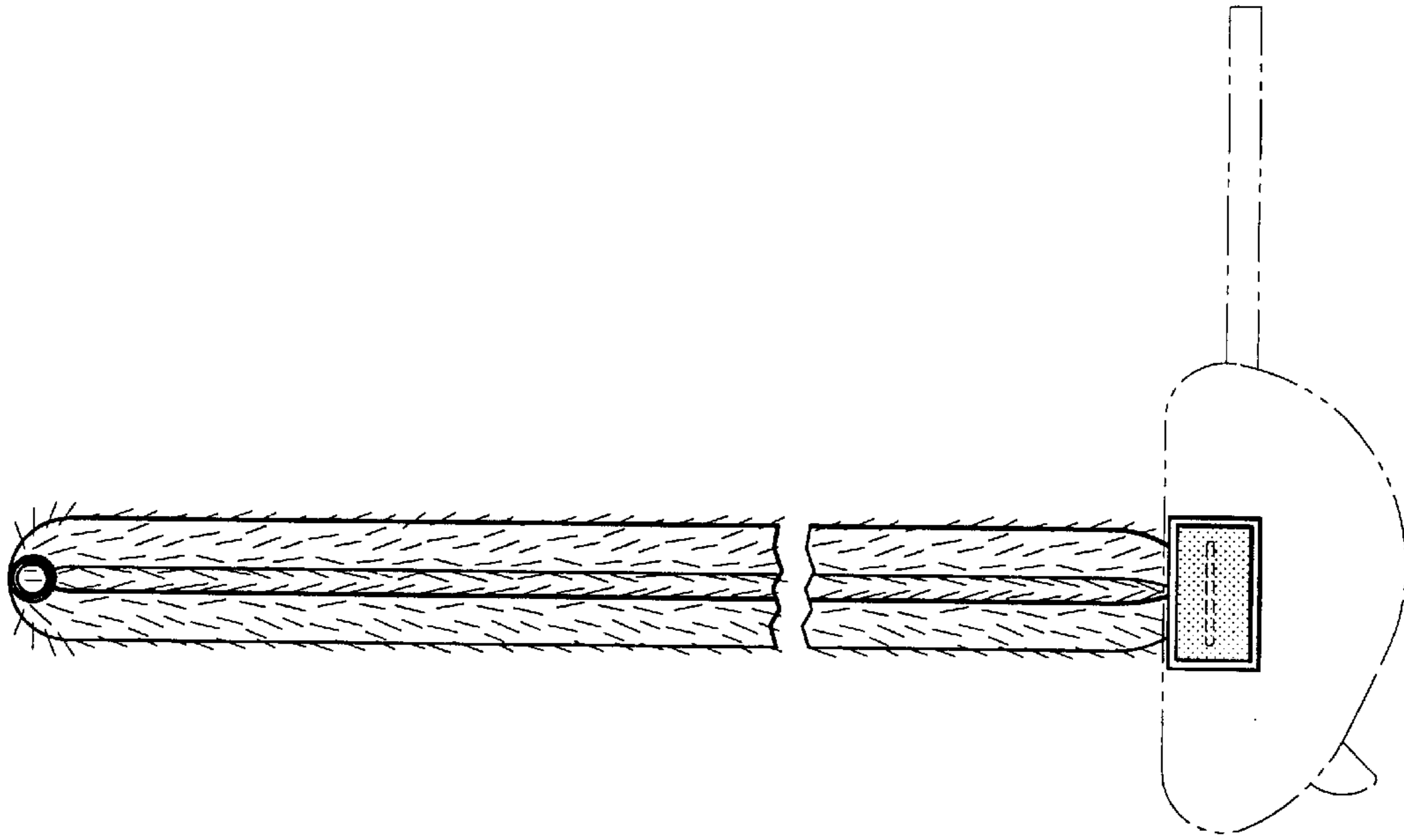


FIG. 4

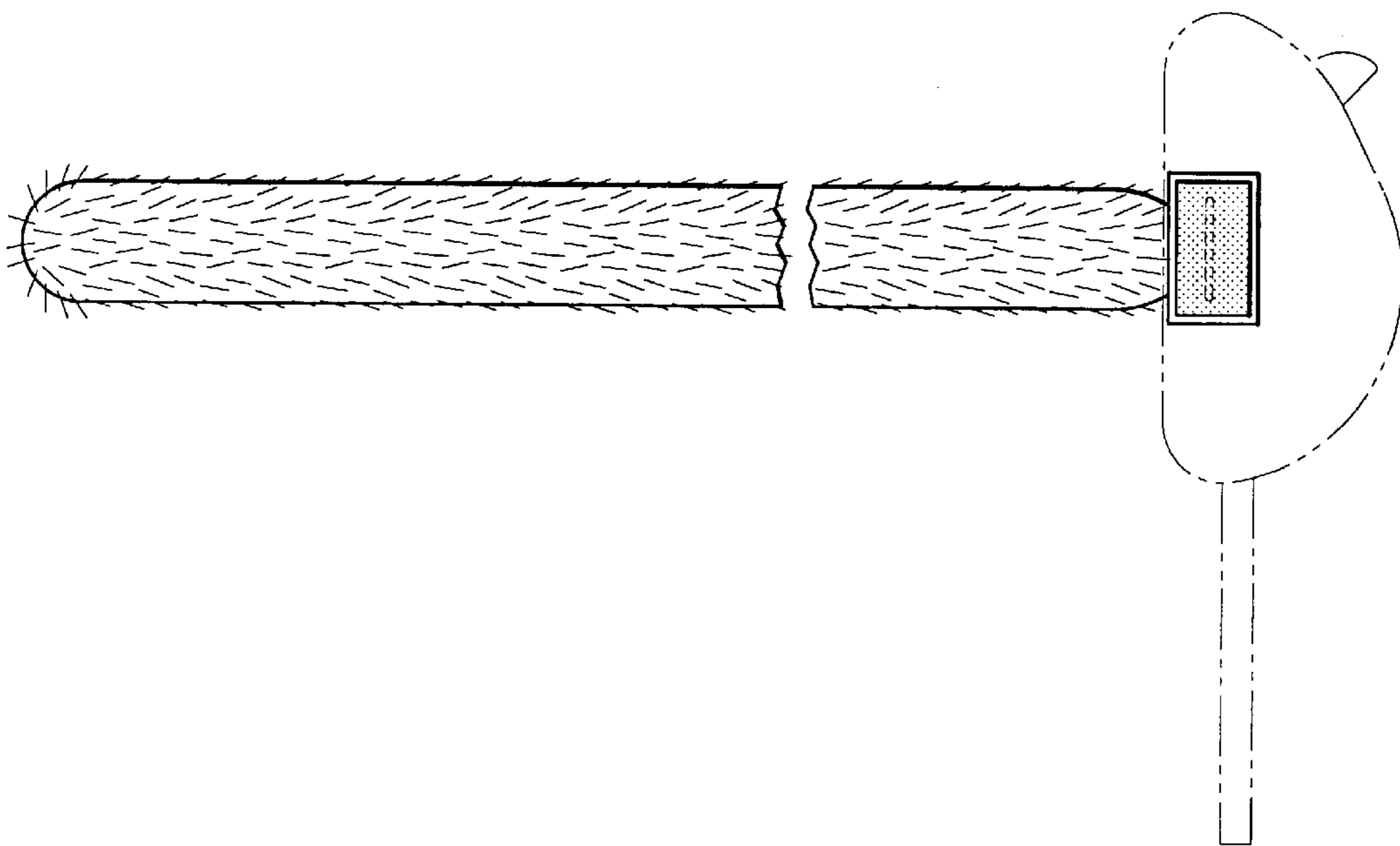


FIG. 3

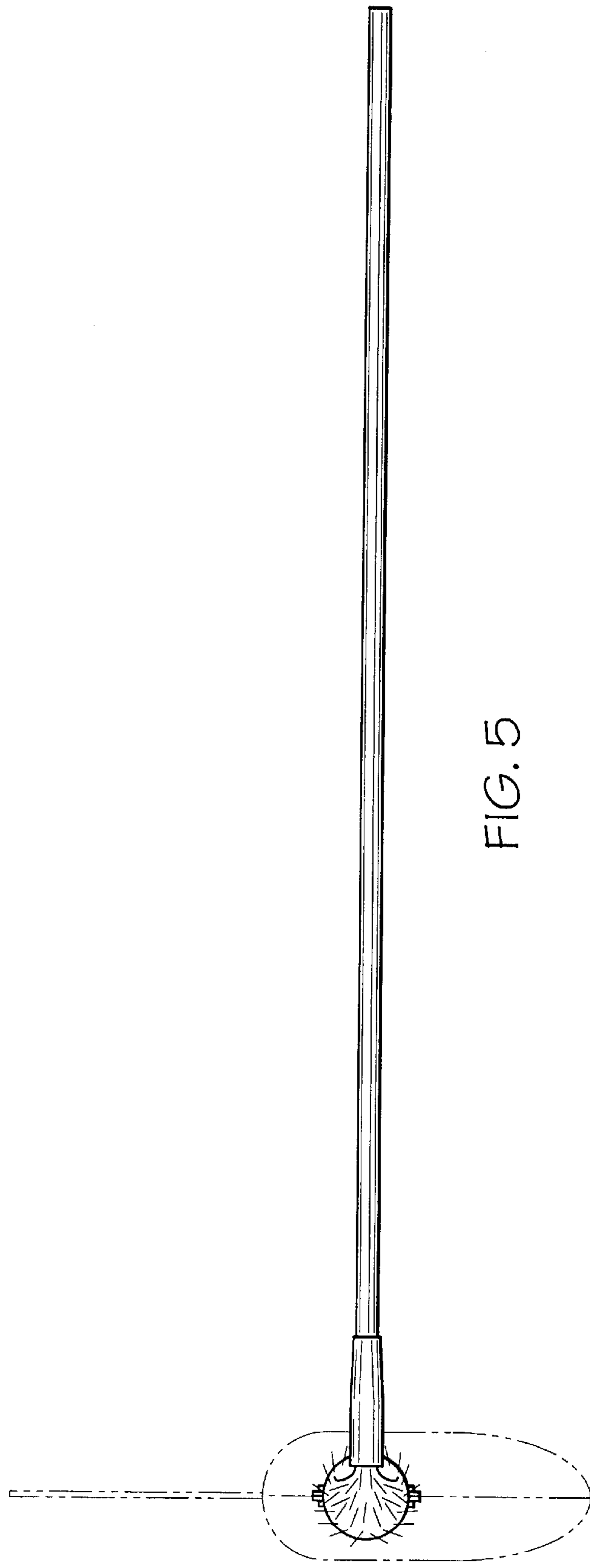


FIG. 5

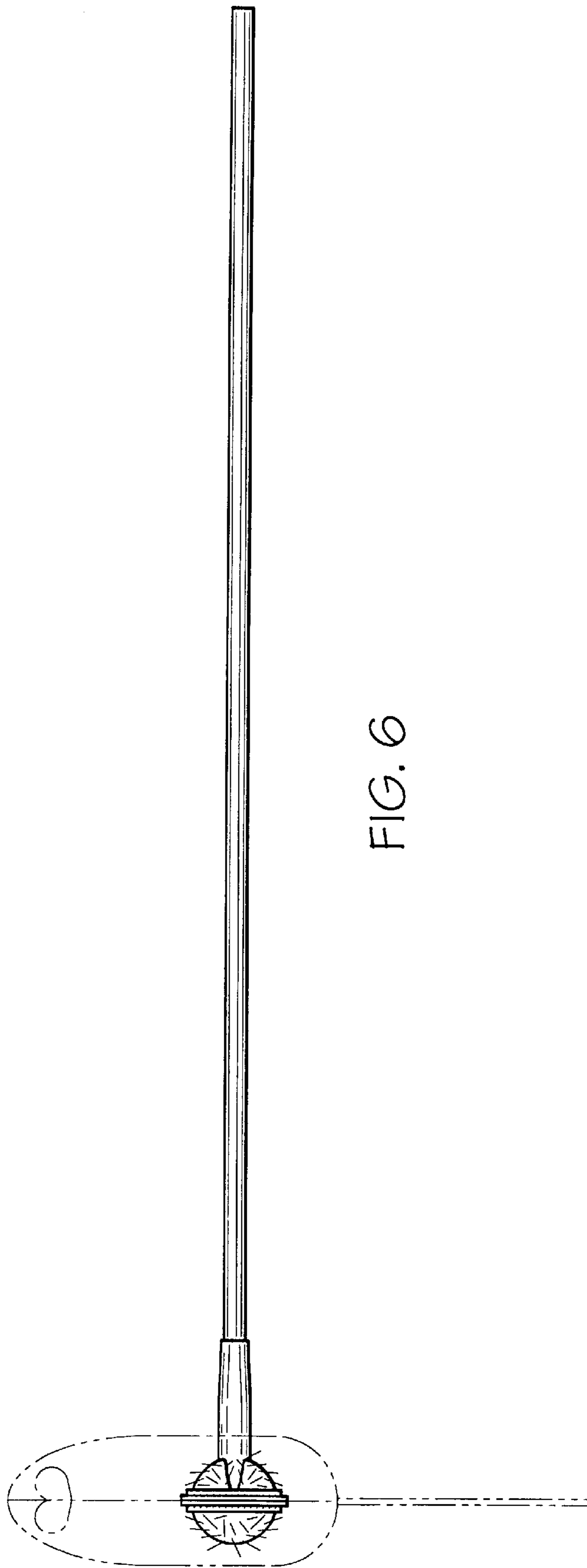


FIG. 6