



US00D452049B1

(12) **United States Design Patent**  
**Stokes et al.**

(10) **Patent No.:** **US D452,049 S**

(45) **Date of Patent:** **\*\* Dec. 11, 2001**

(54) **BIRDFEEDER**

(75) Inventors: **Gail Stokes**, Rowayton, CT (US);  
**Kevin Williams**, Brooklyn, NY (US)

(73) Assignee: **Wren Garden Products, Inc.**,  
Norwalk, CT (US)

(\*\*) Term: **14 Years**

(21) Appl. No.: **29/135,053**

(22) Filed: **Jan. 4, 2001**

(51) **LOC (7) Cl.** ..... **30-03**

(52) **U.S. Cl.** ..... **D30/124**

(58) **Field of Search** ..... D30/124, 110,  
D30/116; 115/51.01, 52.2, 57.8, 428, 429,  
459

(56) **References Cited**

**U.S. PATENT DOCUMENTS**

D. 255,271	*	6/1980	Voss	.....	D30/116
D. 260,566	*	9/1981	Biro et al.	.....	D30/116
2,112,940	*	4/1938	Voss	.....	119/460
2,120,262	*	6/1938	Rodess	.....	119/460

\* cited by examiner

*Primary Examiner*—Pamela Burgess

(74) *Attorney, Agent, or Firm*—McCormick, Paulding &  
Huber LLP

(57) **CLAIM**

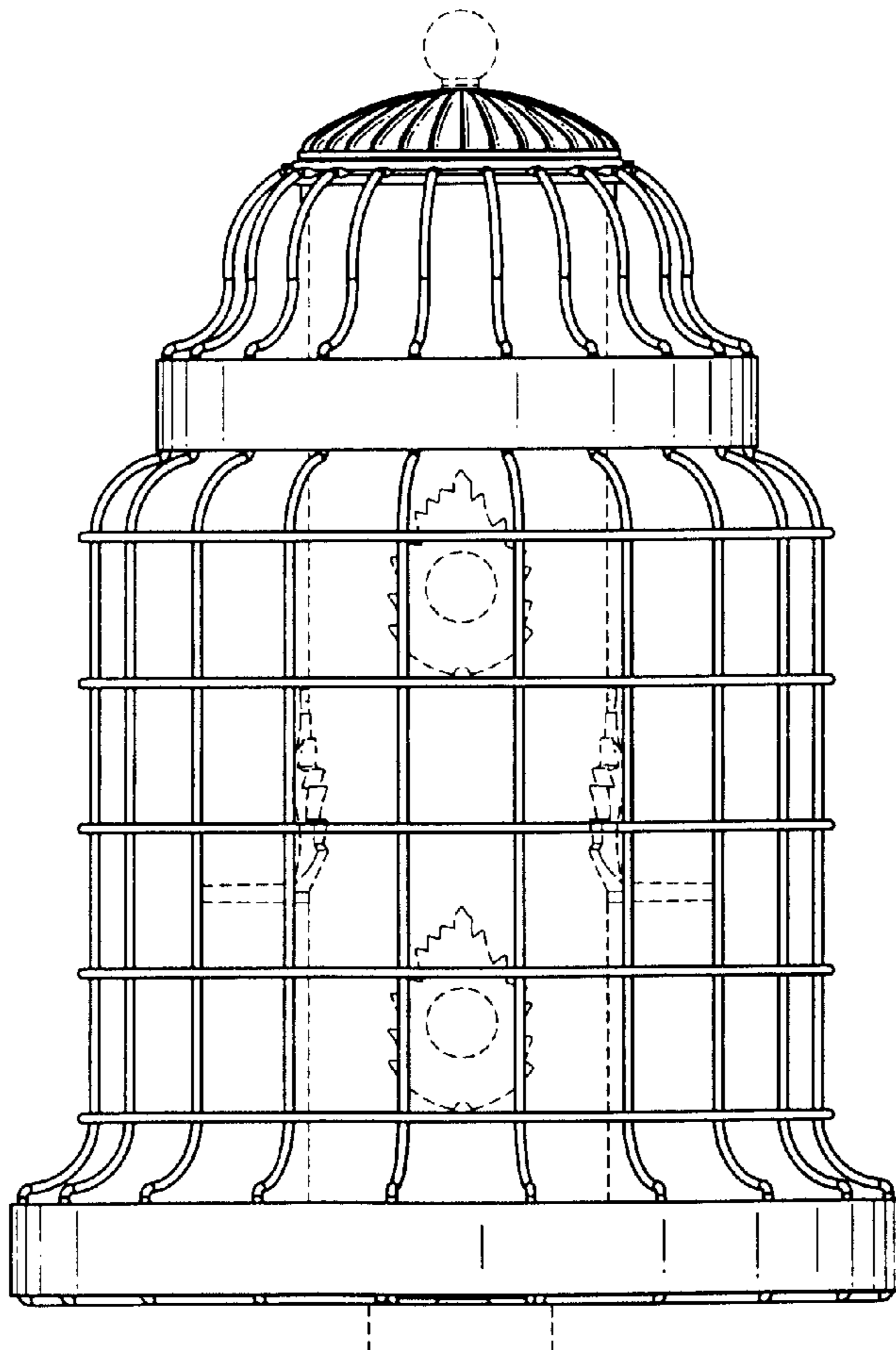
We claim the ornamental design of a birdfeeder, as shown.

**DESCRIPTION**

FIG. 1 is a right side elevational view of a birdfeeder showing our new design;  
FIG. 2 is a left side elevational view thereof;  
FIG. 3 is a top plan thereof;  
FIG. 4 is a right side elevational view of a birdfeeder showing a second embodiment herein;  
FIG. 5 is a left side elevational view thereof;  
FIG. 6 is a top plan view thereof;  
FIG. 7 is a right side elevational view of a birdfeeder showing a third embodiment herein;  
FIG. 8 is a left side elevational view thereof; and,  
FIG. 9 is a top plan view thereof.

The broken lines shown in FIGS. 1–9 are for illustrative purposes only and form no part of the claimed design.

**1 Claim, 3 Drawing Sheets**



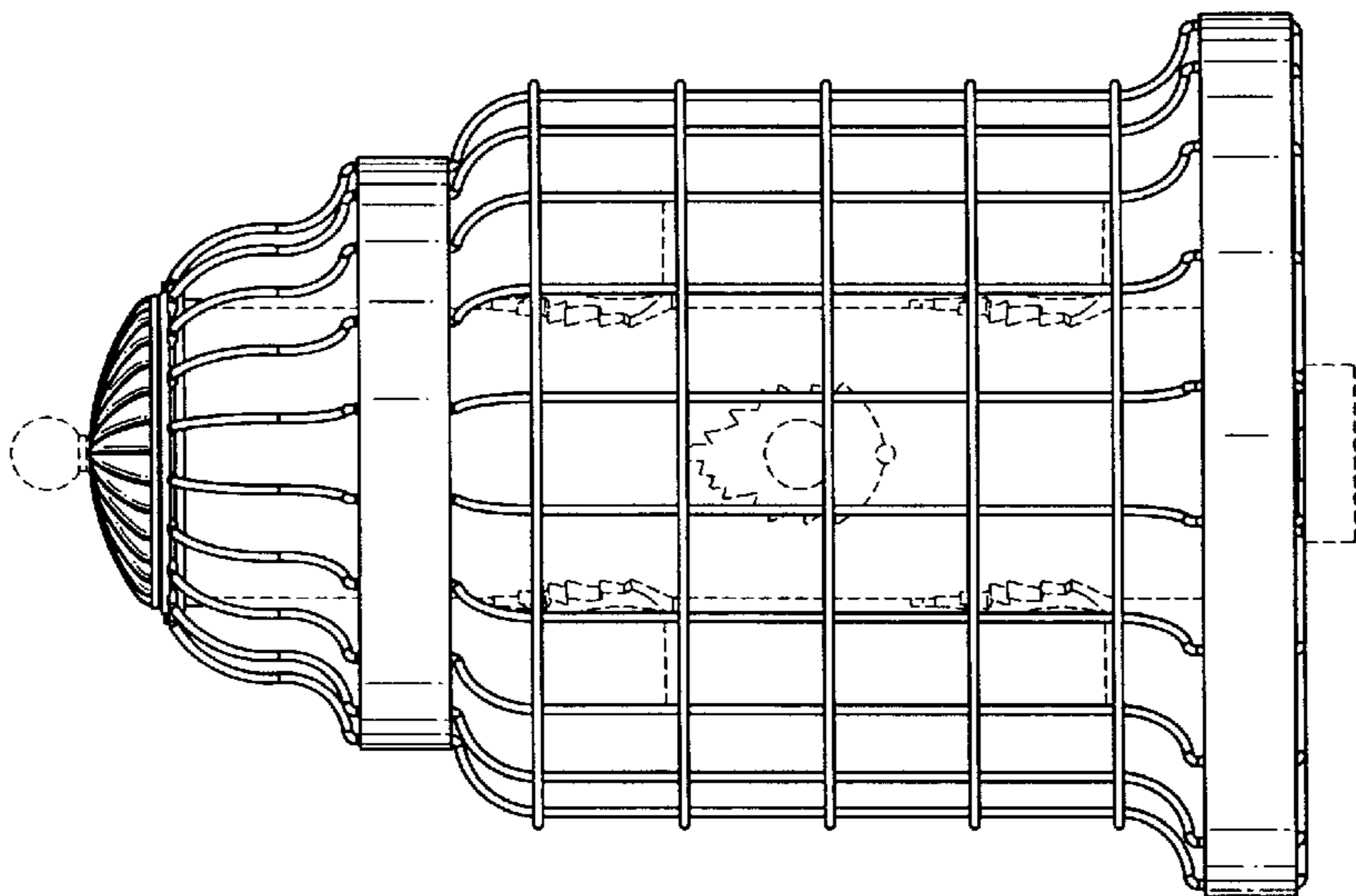


FIG. 2

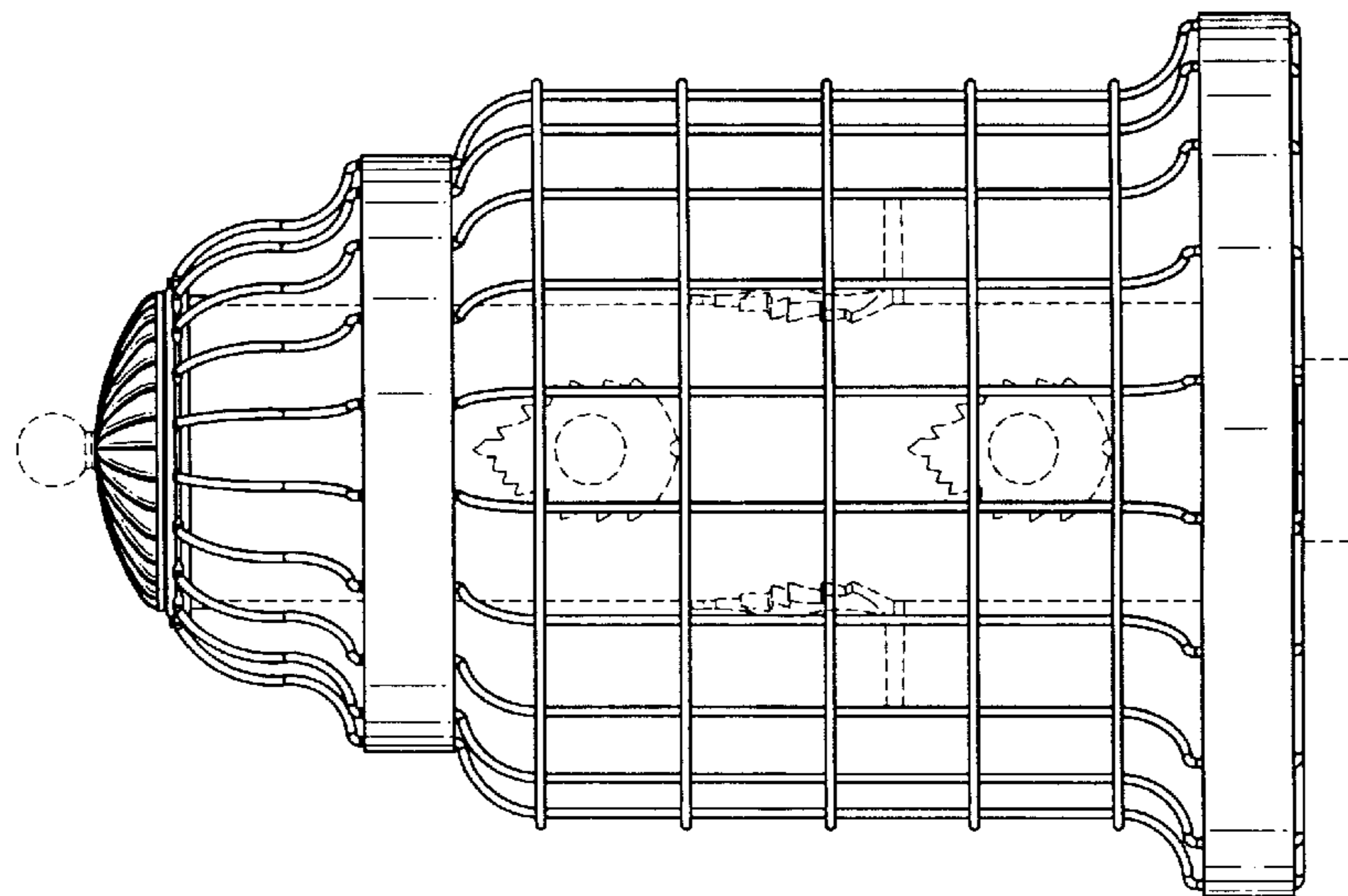


FIG. 1

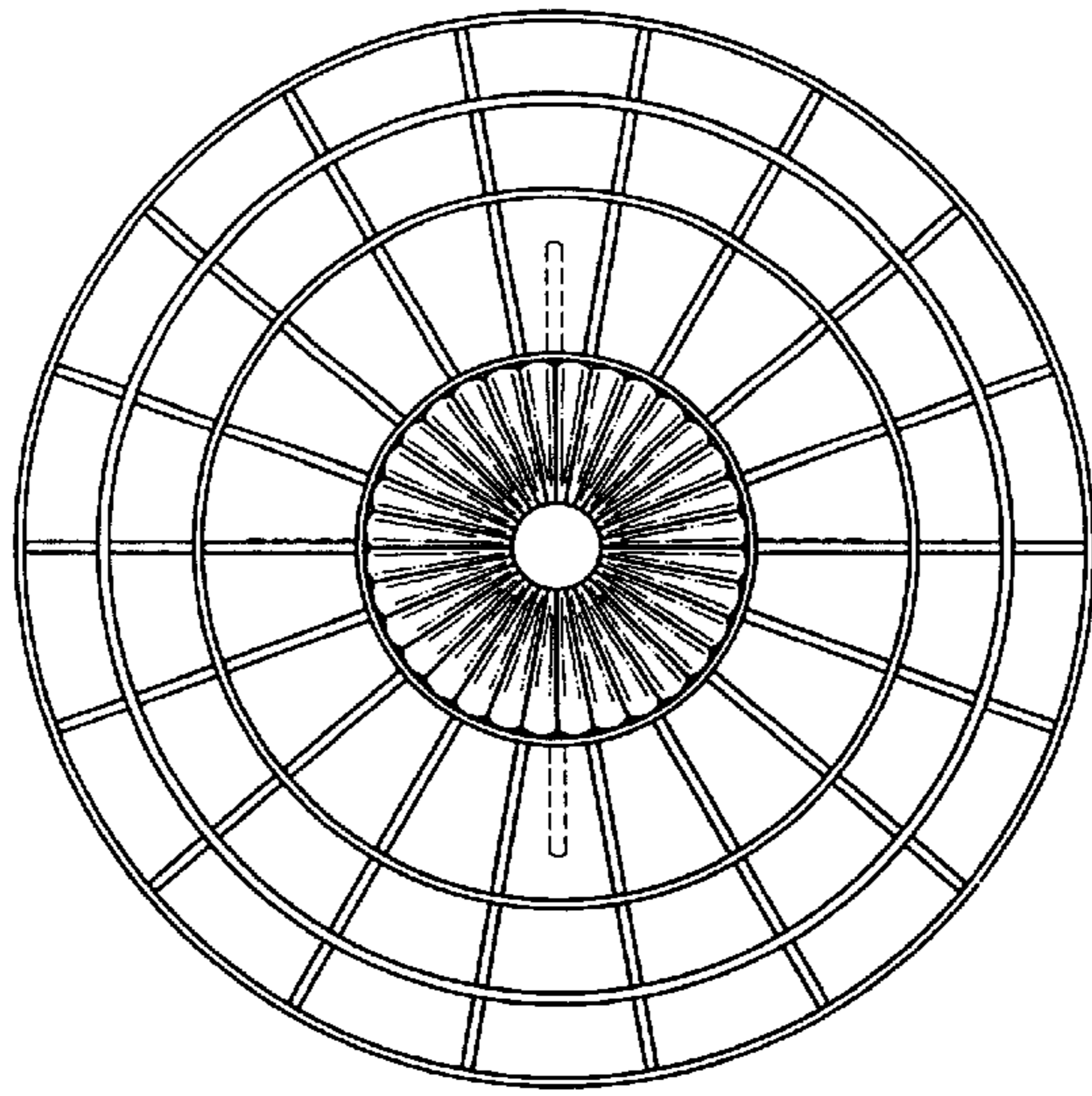


FIG. 3

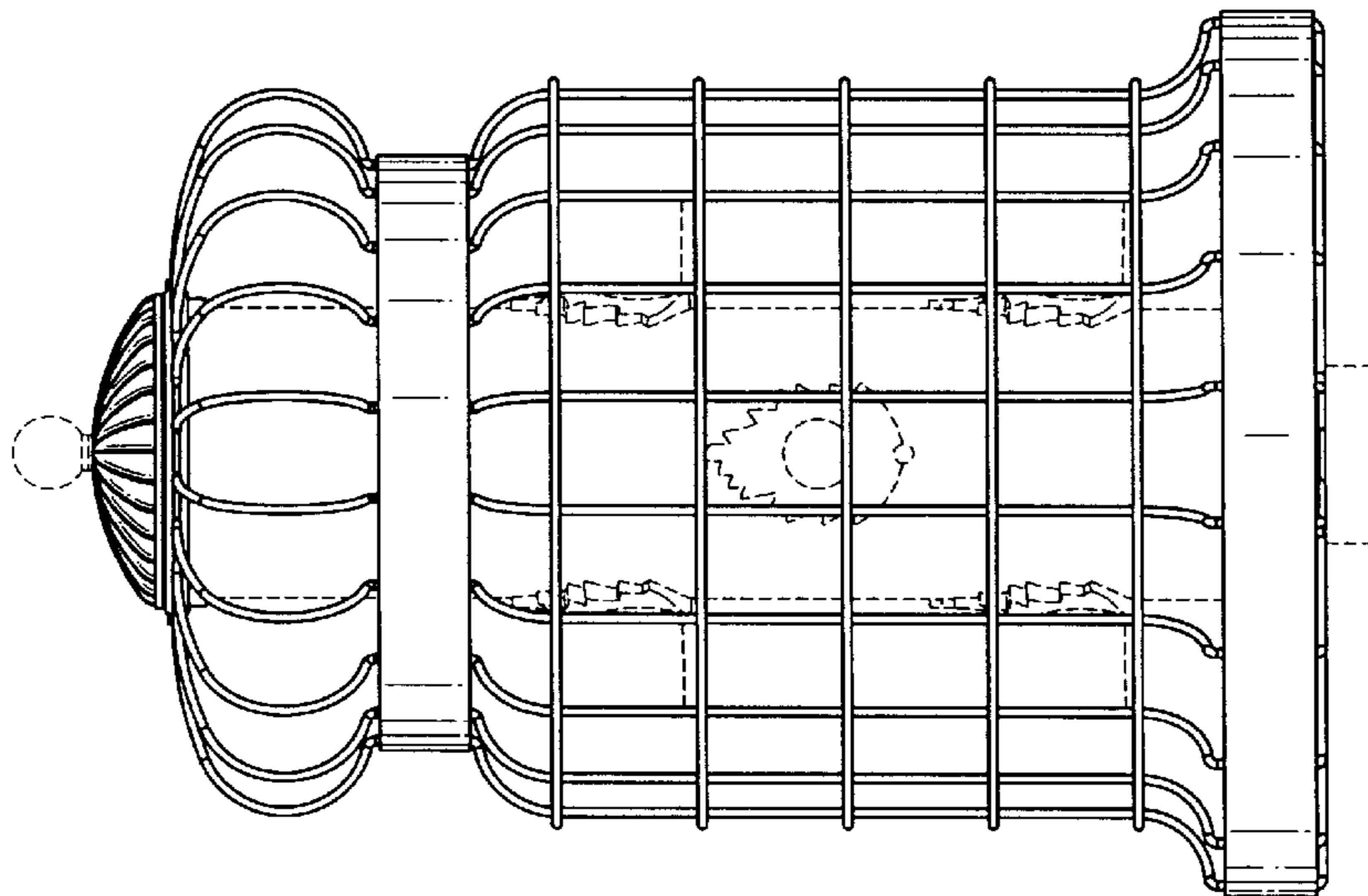


FIG. 5

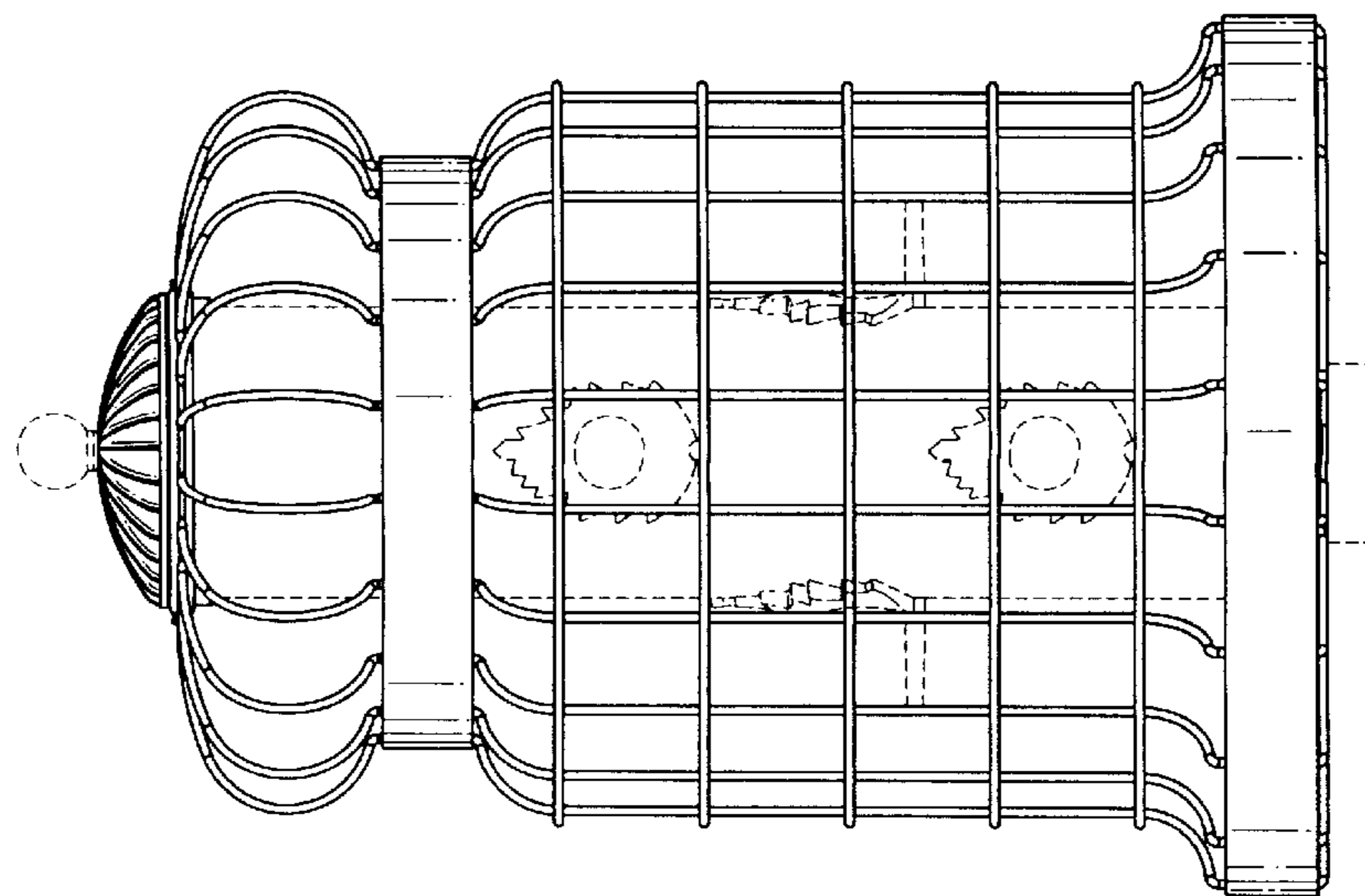


FIG. 4

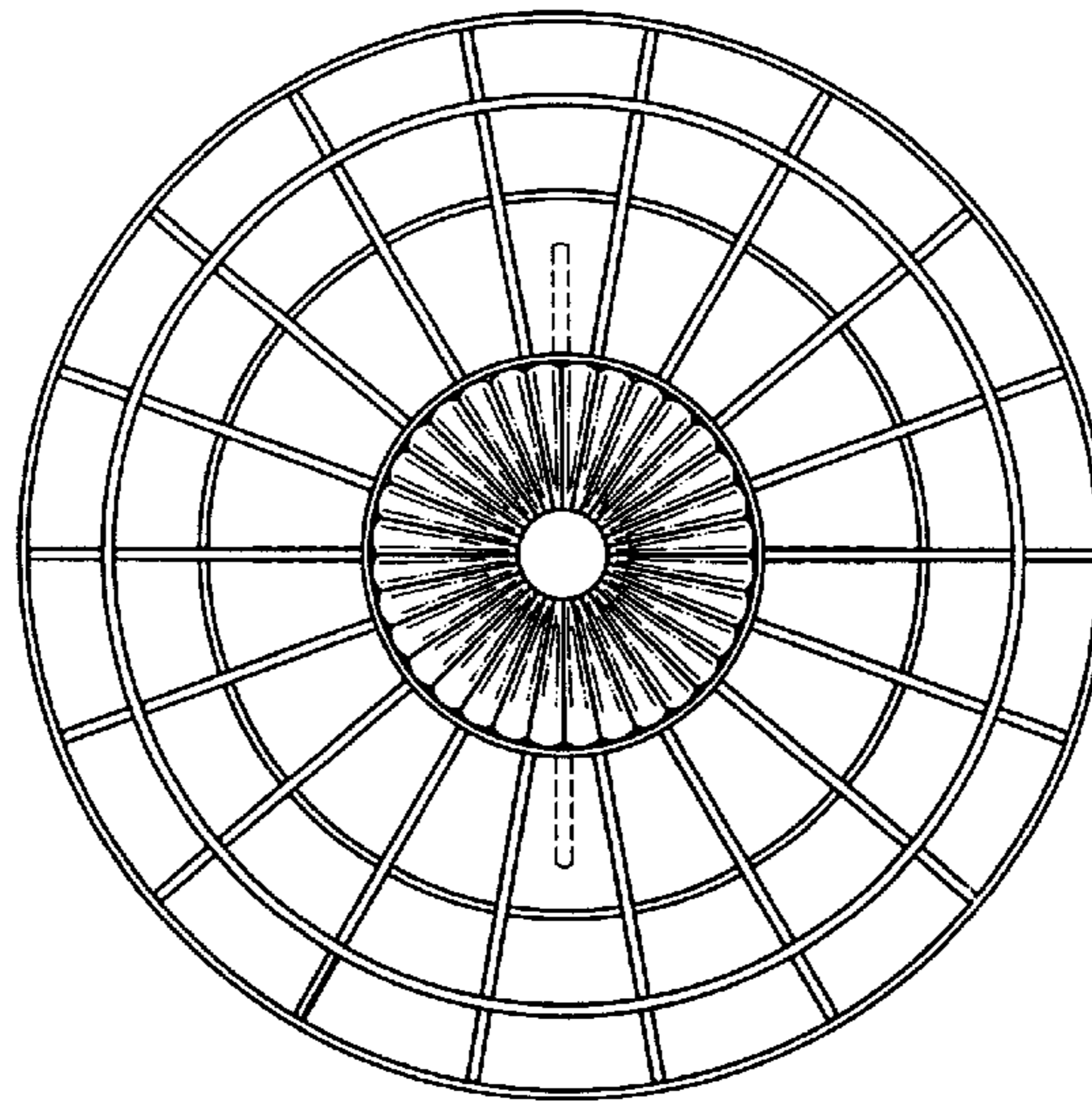


FIG. 6

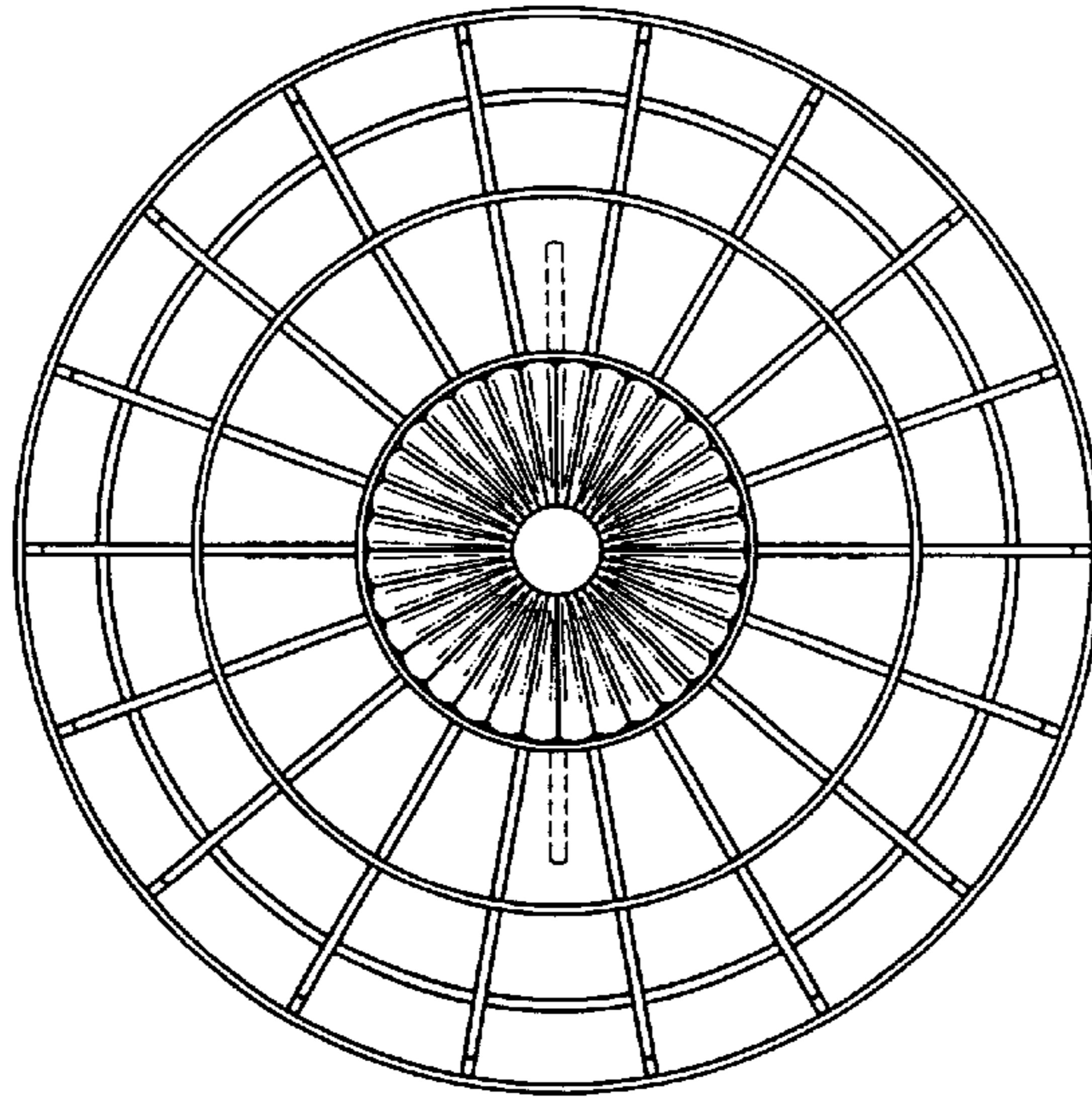


FIG. 9

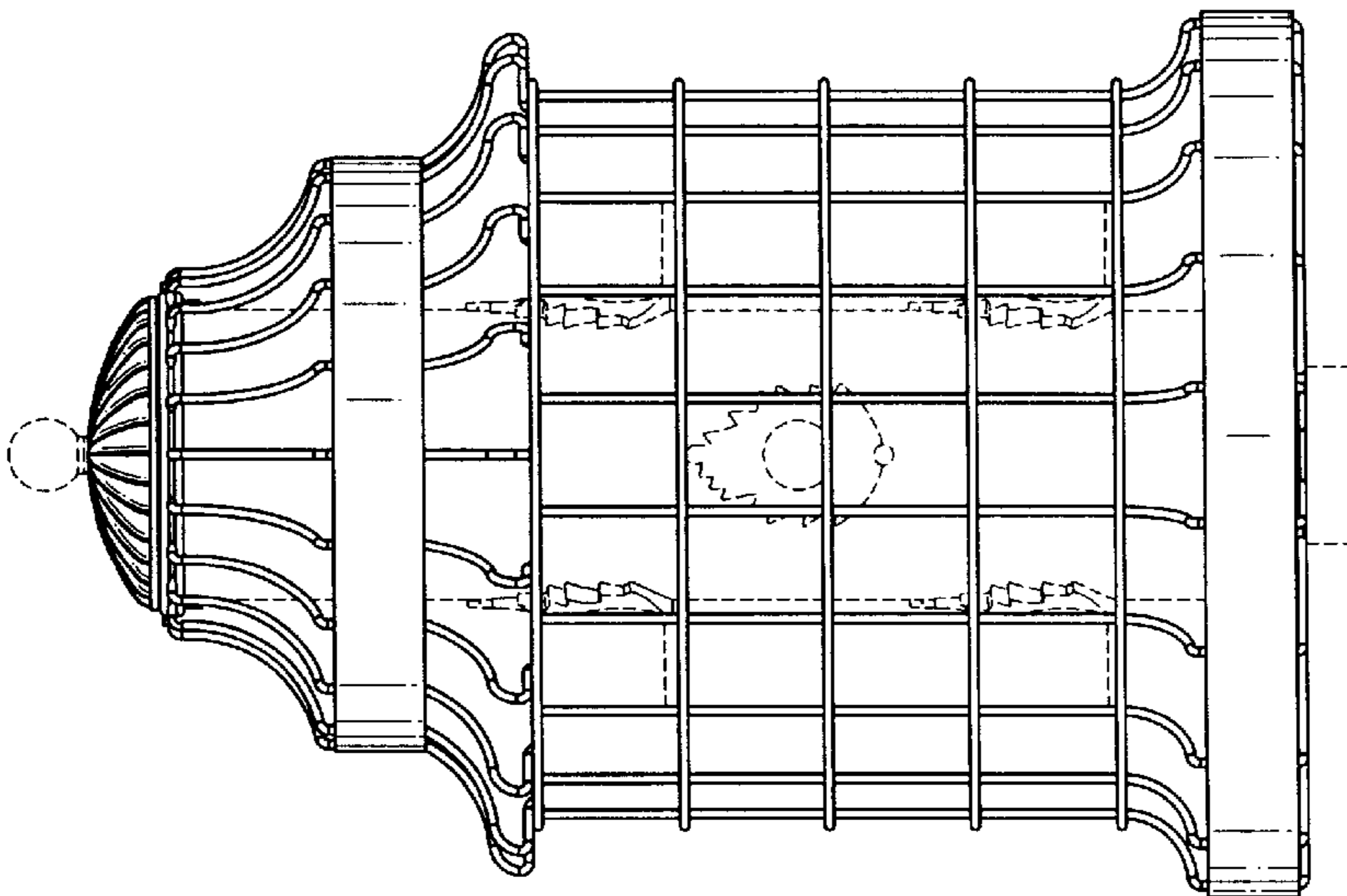


FIG. 8

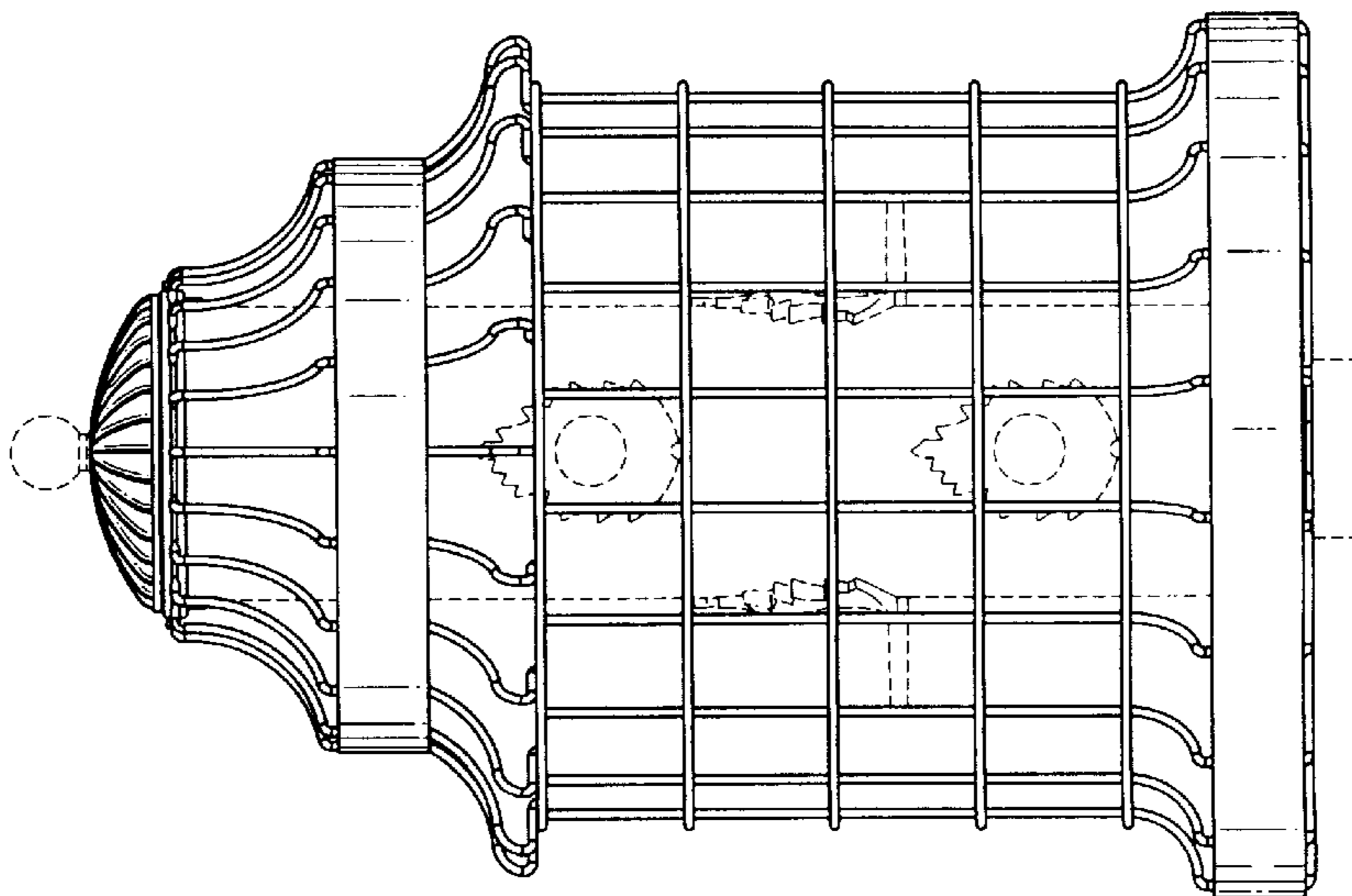


FIG. 7