



US00D452048B1

(12) **United States Design Patent**
Colwell

(10) **Patent No.:** **US D452,048 S**

(45) **Date of Patent:** **** Dec. 11, 2001**

(54) **RAIN GUARD FOR A BIRD FEEDER**

4,434,745 3/1984 Perkins et al. .

5,016,573 5/1991 Power .

(75) Inventor: **Betsy P. Colwell**, Foster, RI (US)

5,111,772 5/1992 Lipton .

5,207,180 5/1993 Graham .

(73) Assignee: **Droll Yankees, Inc.**, Foster, RI (US)

5,323,735 6/1994 Meng .

5,377,617 1/1995 Harwich .

(**) Term: **14 Years**

* cited by examiner

(21) Appl. No.: **29/123,798**

Primary Examiner—Pamela Burgess

(22) Filed: **May 30, 2000**

(74) *Attorney, Agent, or Firm*—Salter & Michaelson

(51) **LOC (7) Cl.** **30-02**

(57) **CLAIM**

(52) **U.S. Cl.** **D30/119; D30/124**

The ornamental design for a rain guard for a bird feeder, as shown and described.

(58) **Field of Search** D30/121, 124,
D30/128, 131; 119/51, 52 R, 52.3, 57.9,
53; D26/110, 20; 362/414, 376

DESCRIPTION

(56) **References Cited**

FIG. 1 is a perspective view of a rain guard for a bird feeder showing my new design;

U.S. PATENT DOCUMENTS

FIG. 2 is a top plan view thereof;

D. 241,149 * 8/1976 Miller et al. D30/128

FIG. 3 is a bottom plan view thereof;

D. 244,098 * 4/1977 Kilham D30/128

FIG. 4 is a right side elevational view thereof;

2,524,502 10/1950 Wilkinson .

FIG. 5 is a left side elevational view thereof;

3,301,217 1/1967 Prowinsky .

FIG. 6 is a front elevational view thereof; and,

3,316,883 5/1967 Johnson .

FIG. 7 is a rear elevational view thereof.

3,399,650 9/1968 Goodman .

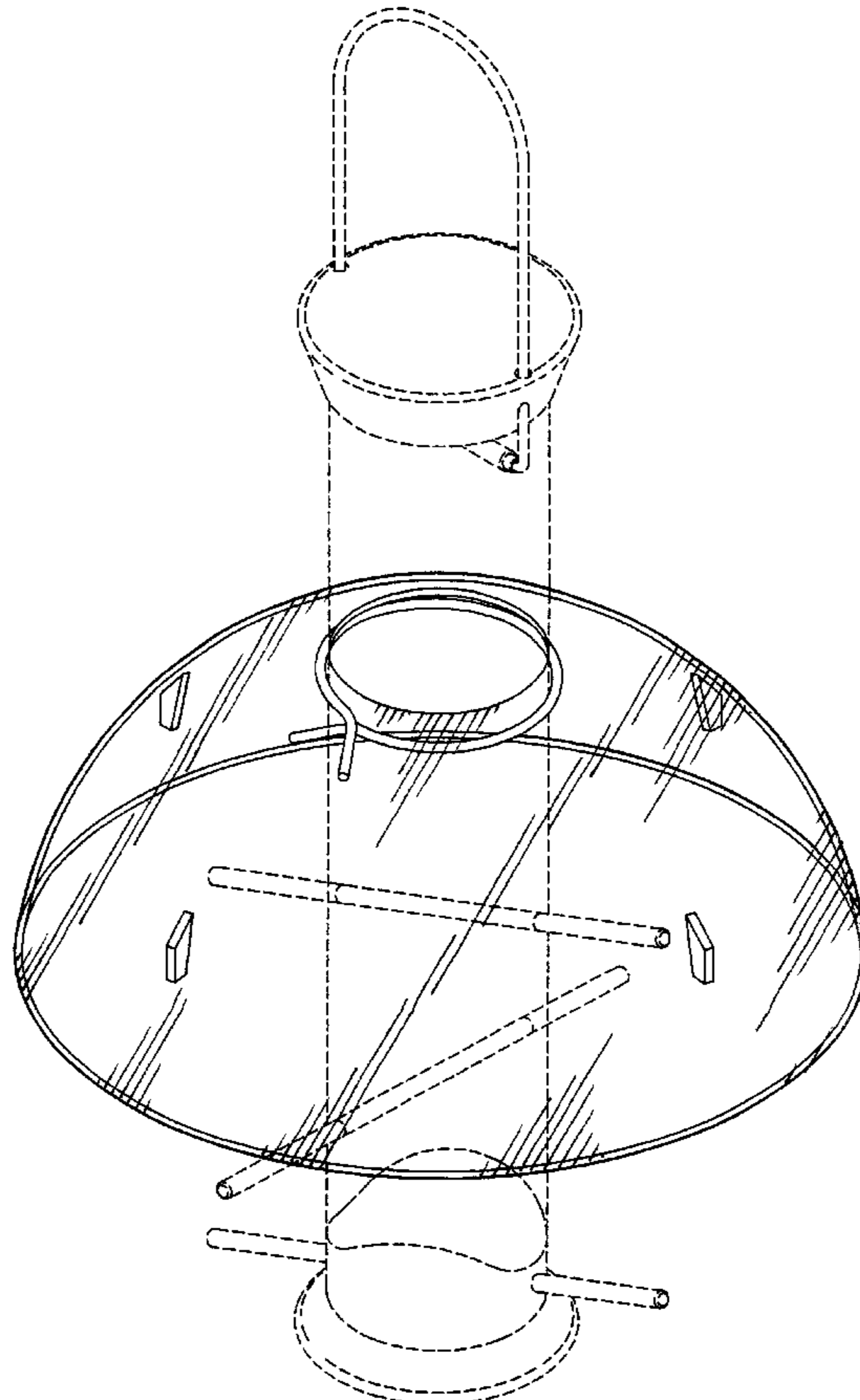
The portions shown in broken lines are included for illustrative purpose only and form no part of the claimed design.

4,030,451 * 6/1977 Miller 119/51 R

4,102,308 * 7/1978 Kilham 119/52 R

4,188,913 * 2/1980 Earl et al. 119/51 R

1 Claim, 4 Drawing Sheets



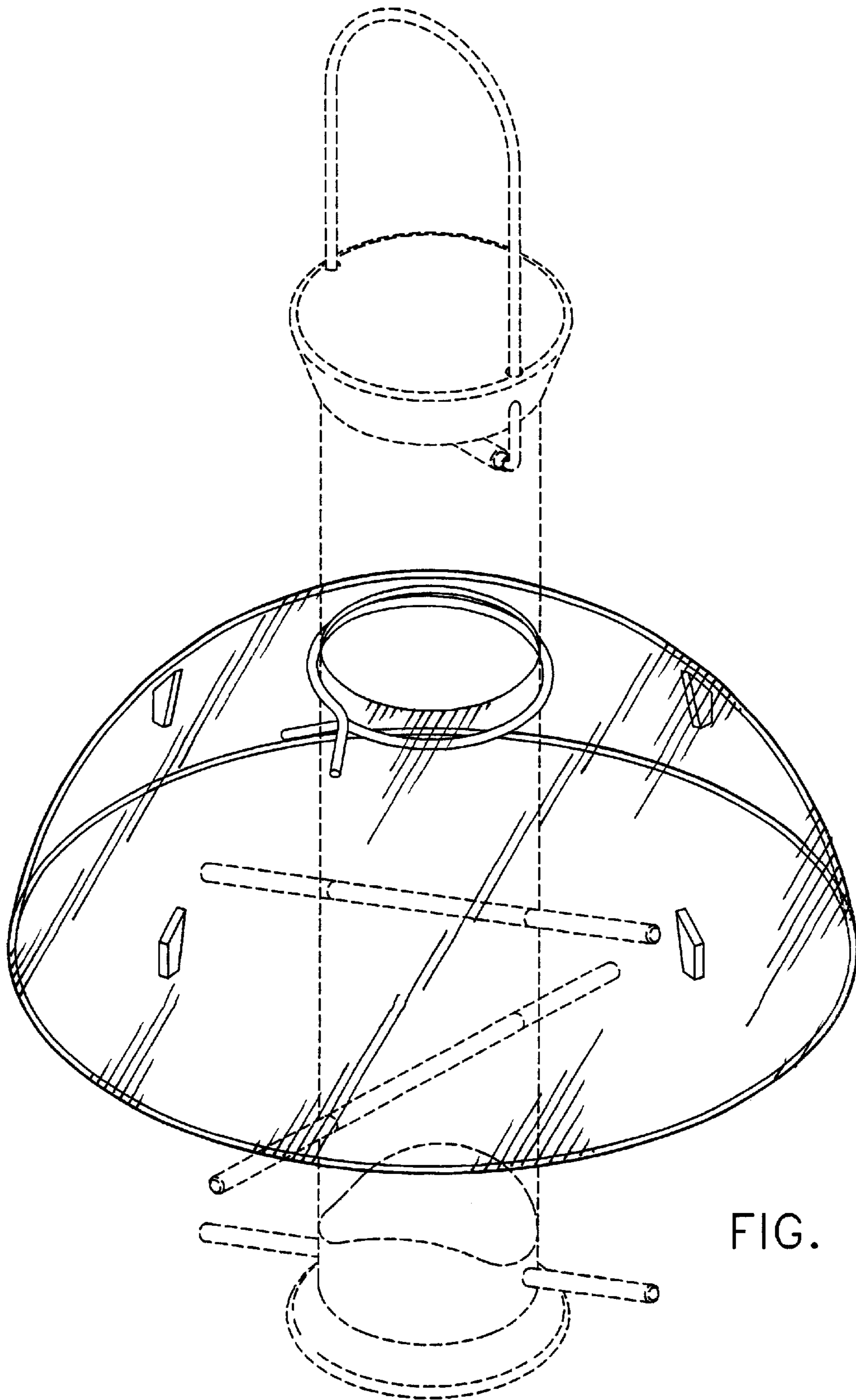


FIG. 1

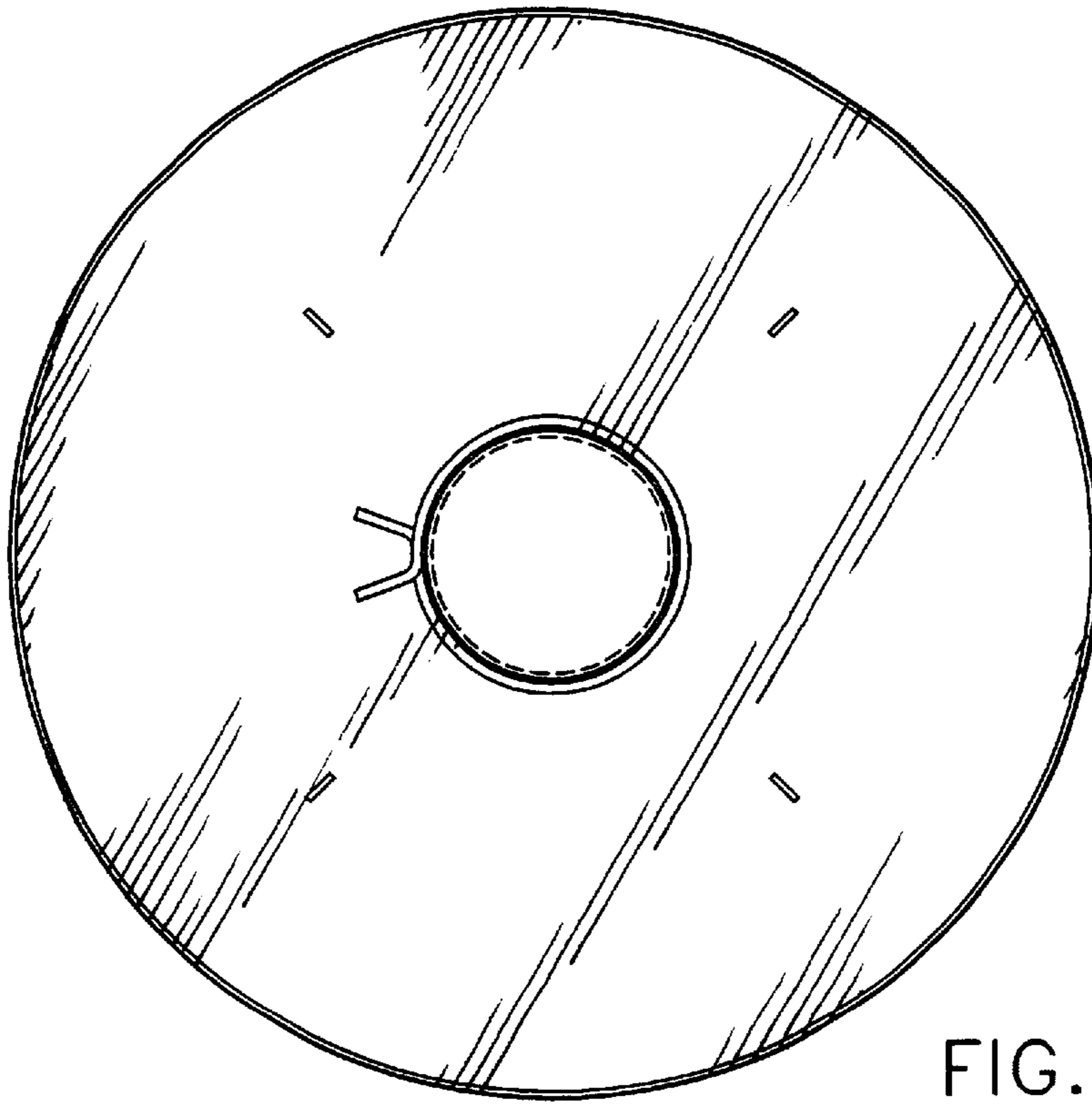


FIG. 2

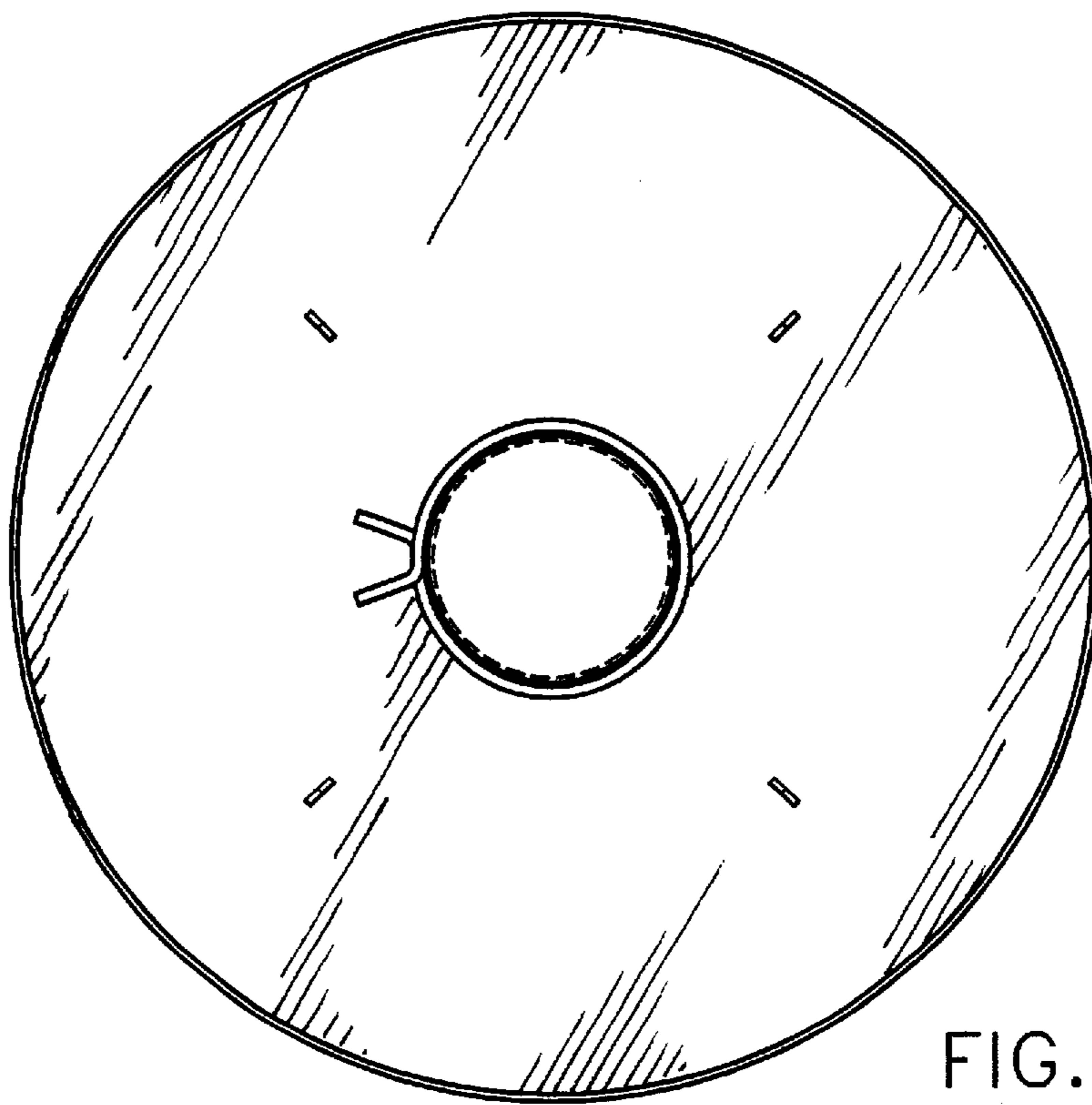


FIG. 3

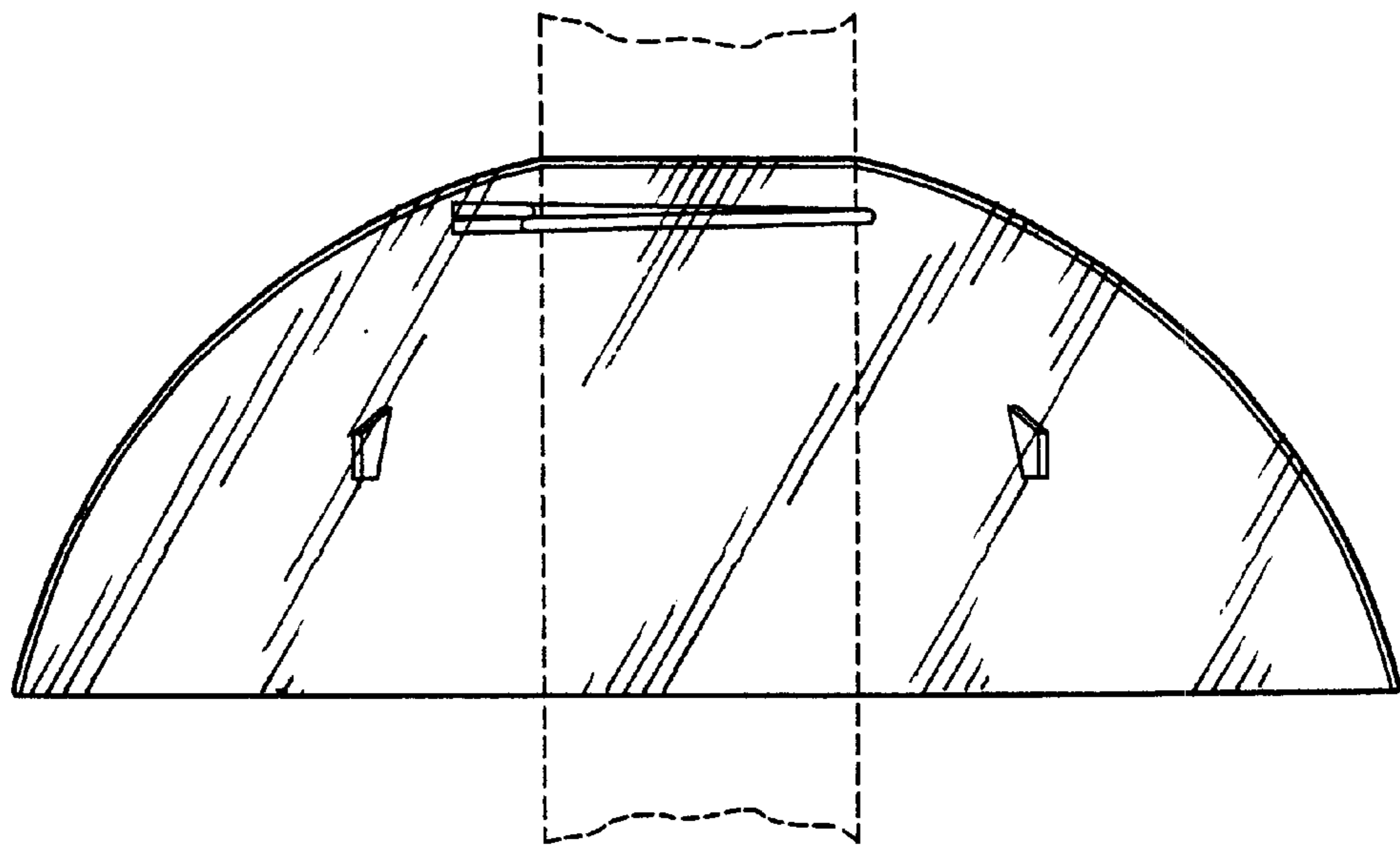


FIG. 4

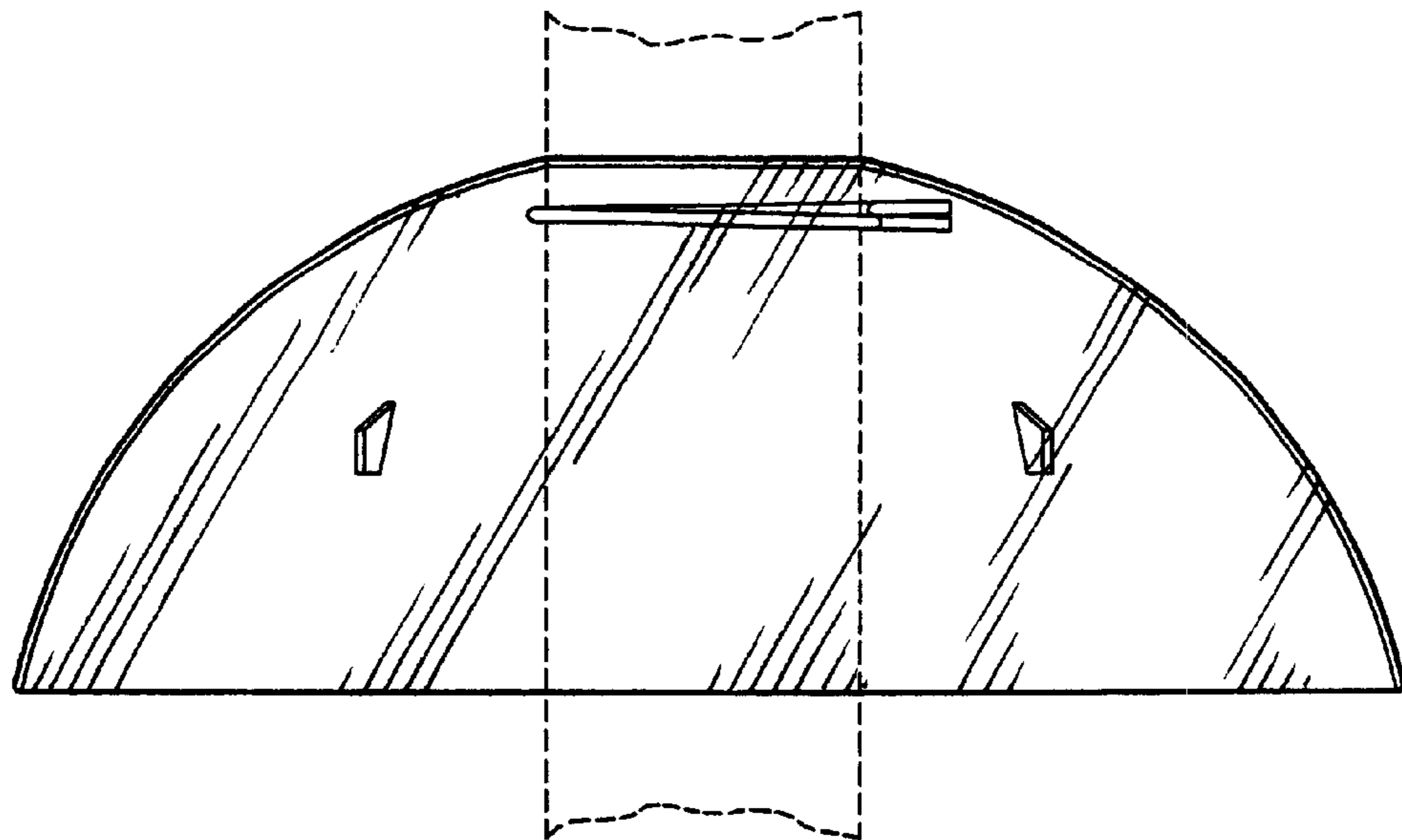


FIG. 5

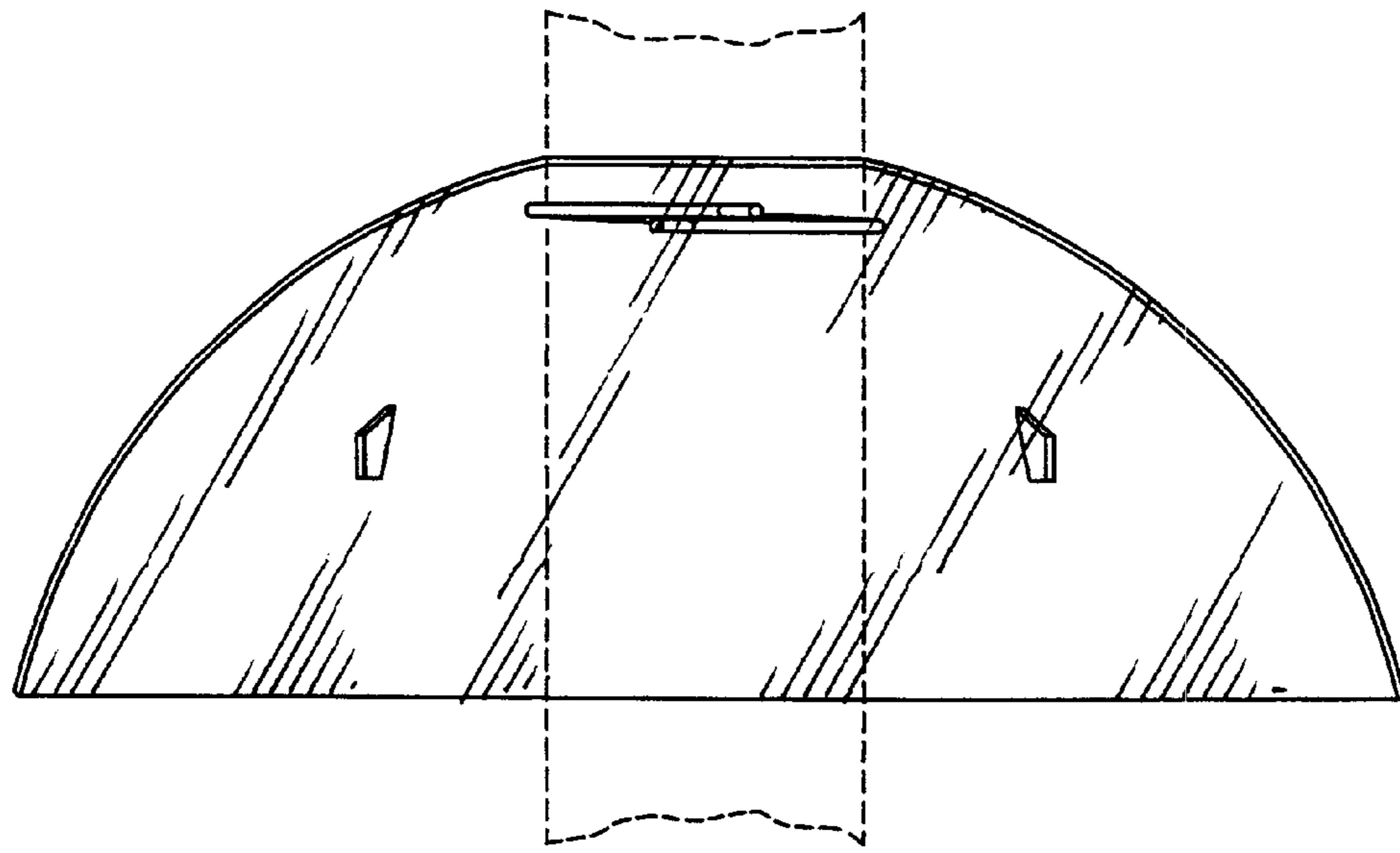


FIG. 6

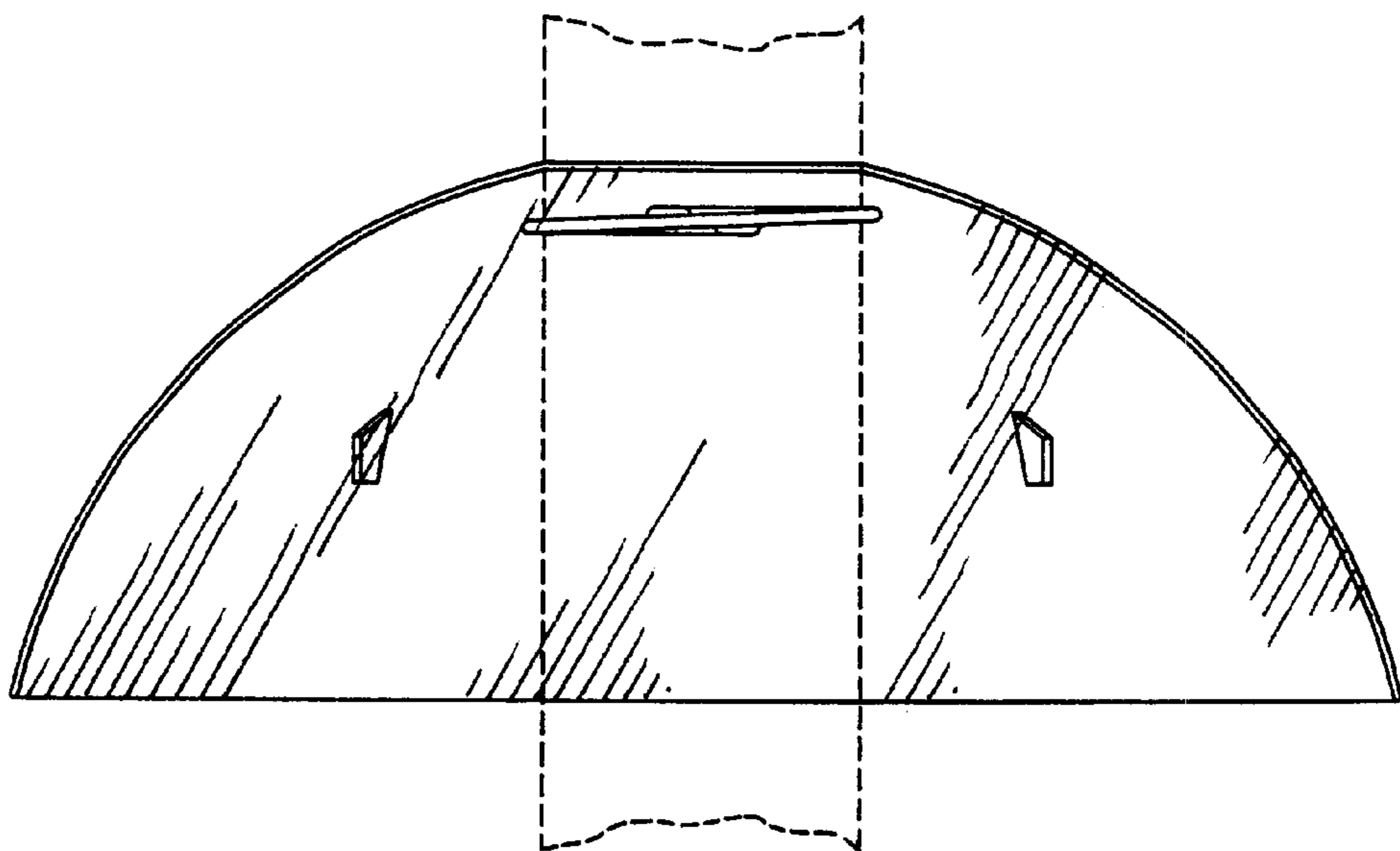


FIG. 7