



US00D452043B1

(12) **United States Design Patent**
Freeman et al.

(10) **Patent No.:** **US D452,043 S**

(45) **Date of Patent:** **** Dec. 11, 2001**

(54) **CARROT SOAP**

D. 443,081 * 5/2001 Klett et al. D26/7

(75) Inventors: **Faith Freeman**, Huntington Beach;
Leon J. Savoit, IV, La Habra, both of
CA (US)

(73) Assignee: **Primal Elements, Inc.**, Garden Grove,
CA (US)

(**) Term: **14 Years**

(21) Appl. No.: **29/144,930**

(22) Filed: **Jul. 12, 2001**

(51) **LOC (7) Cl.** **28-02**

(52) **U.S. Cl.** **D28/8.2**

(58) **Field of Search** D28/8.1, 8.2; D1/106,
D1/115; D9/307, 329, 335; D11/131-133,
139, 157; D19/53; 510/142-144, 146-148,
440, 449; 428/13; D26/7; D24/102

(56) **References Cited**

U.S. PATENT DOCUMENTS

- D. 235,275 * 6/1975 Austin D5/16
- D. 268,449 * 3/1983 Hammond D5/66
- D. 413,692 * 9/1999 Freeman D28/8.2
- D. 415,590 * 10/1999 Freeman D28/8.2

OTHER PUBLICATIONS

Primal Elements® Spring/Summer 2001 catalog, ©2000, 1)
p. 19: "Cottontails" soap 2) p. 24: "Chili Fest" soap.*

* cited by examiner

Primary Examiner—Ted Shooman

Assistant Examiner—C. Tuttle

(74) *Attorney, Agent, or Firm*—Stetina Brunda Garred &
Brucker

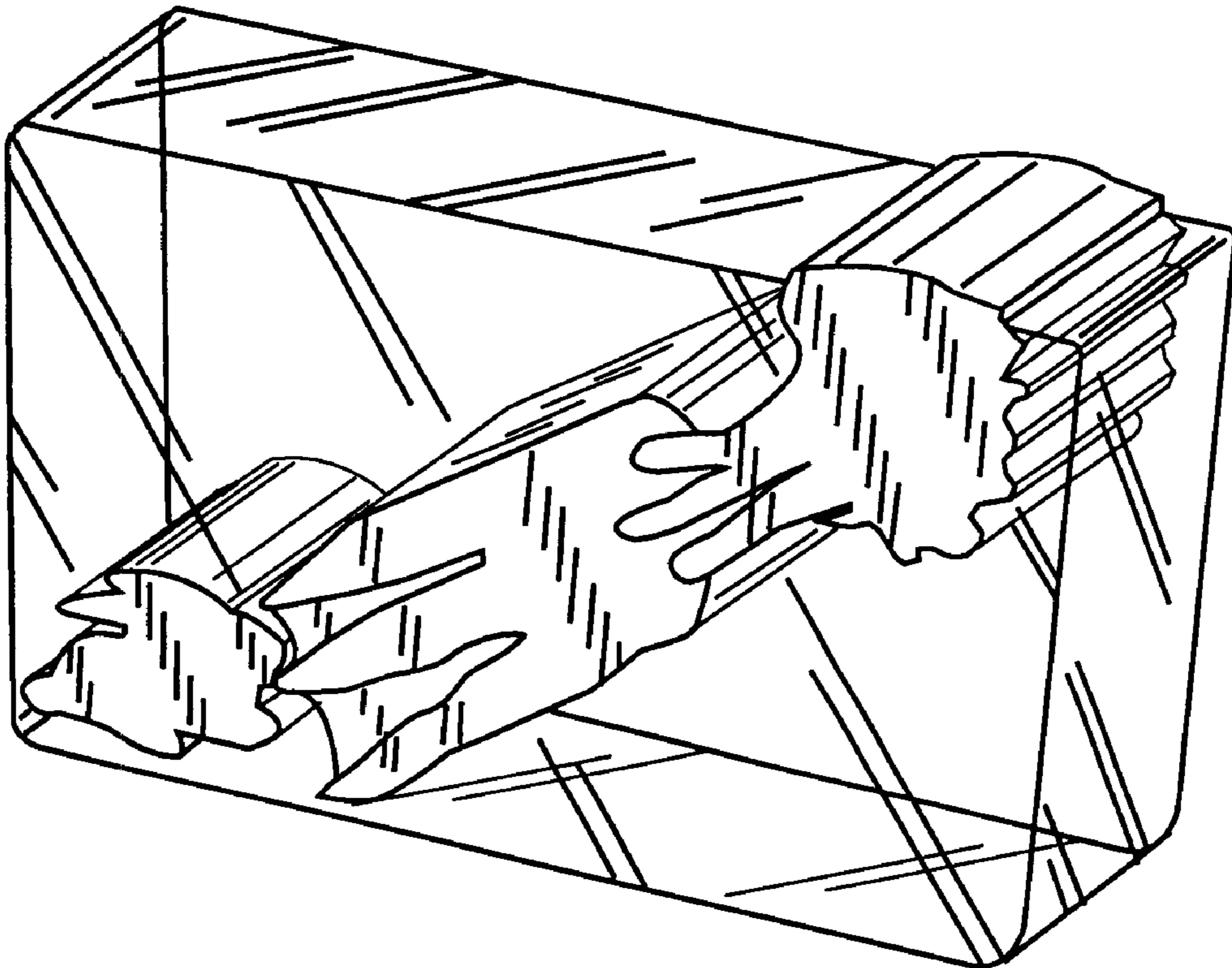
(57) **CLAIM**

The ornamental design for a carrot soap, as shown and
described.

DESCRIPTION

FIG. 1 is a front perspective view of the carrot soap of the
present invention showing our new design;
FIG. 2 is a front elevational view thereof;
FIG. 3 is a side elevational view thereof;
FIG. 4 is the opposite side elevational view thereof;
FIG. 5 is a top plan view thereof; and,
FIG. 6 is a bottom plan view thereof.

1 Claim, 1 Drawing Sheet



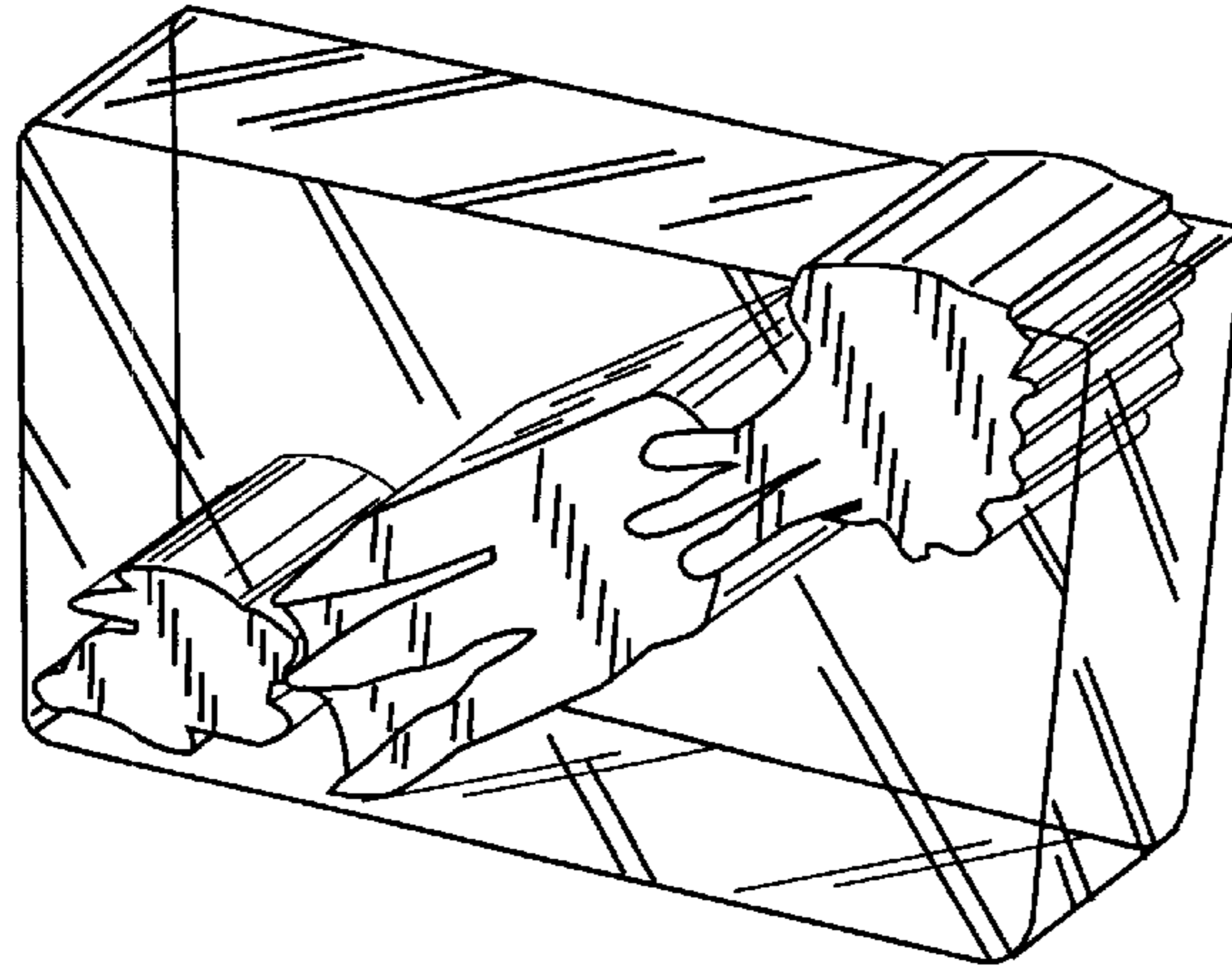


Fig. 1

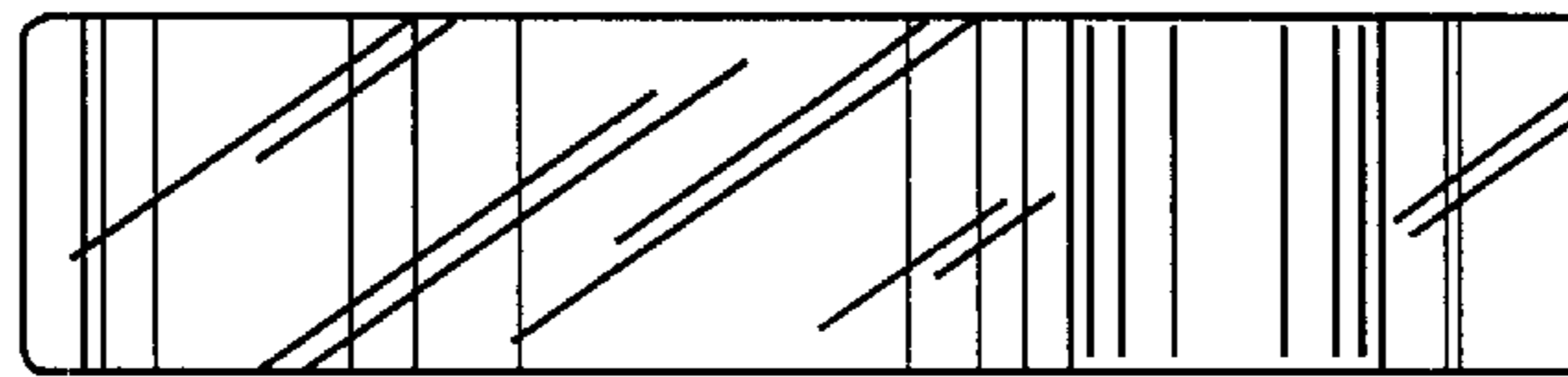


Fig. 5

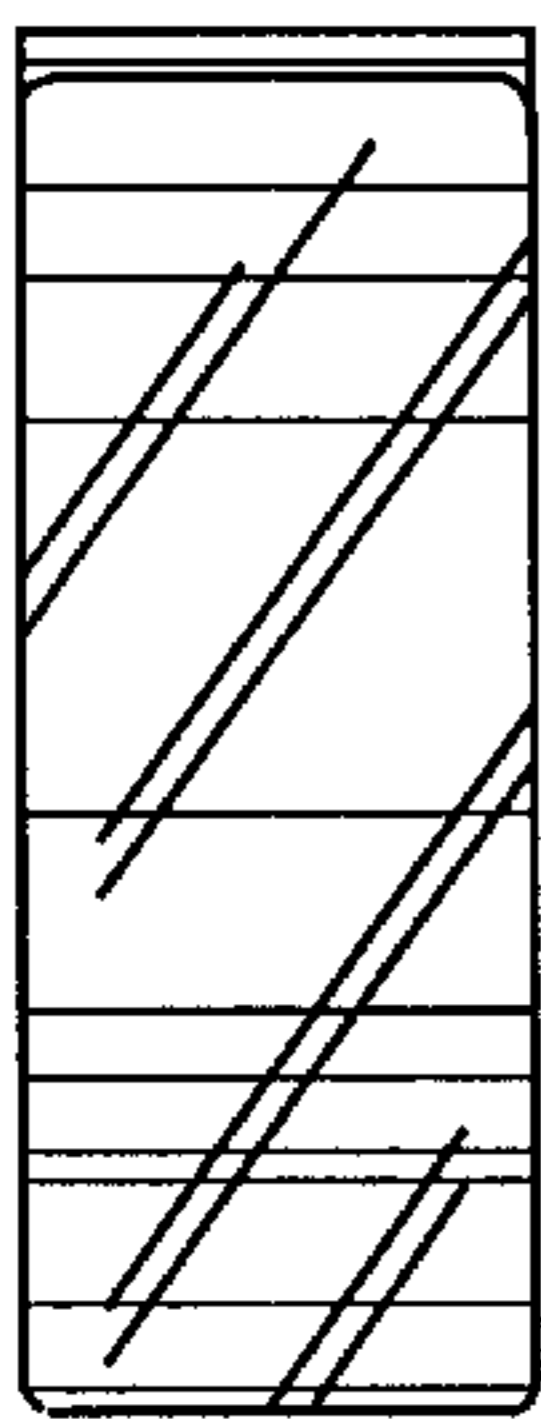


Fig. 3

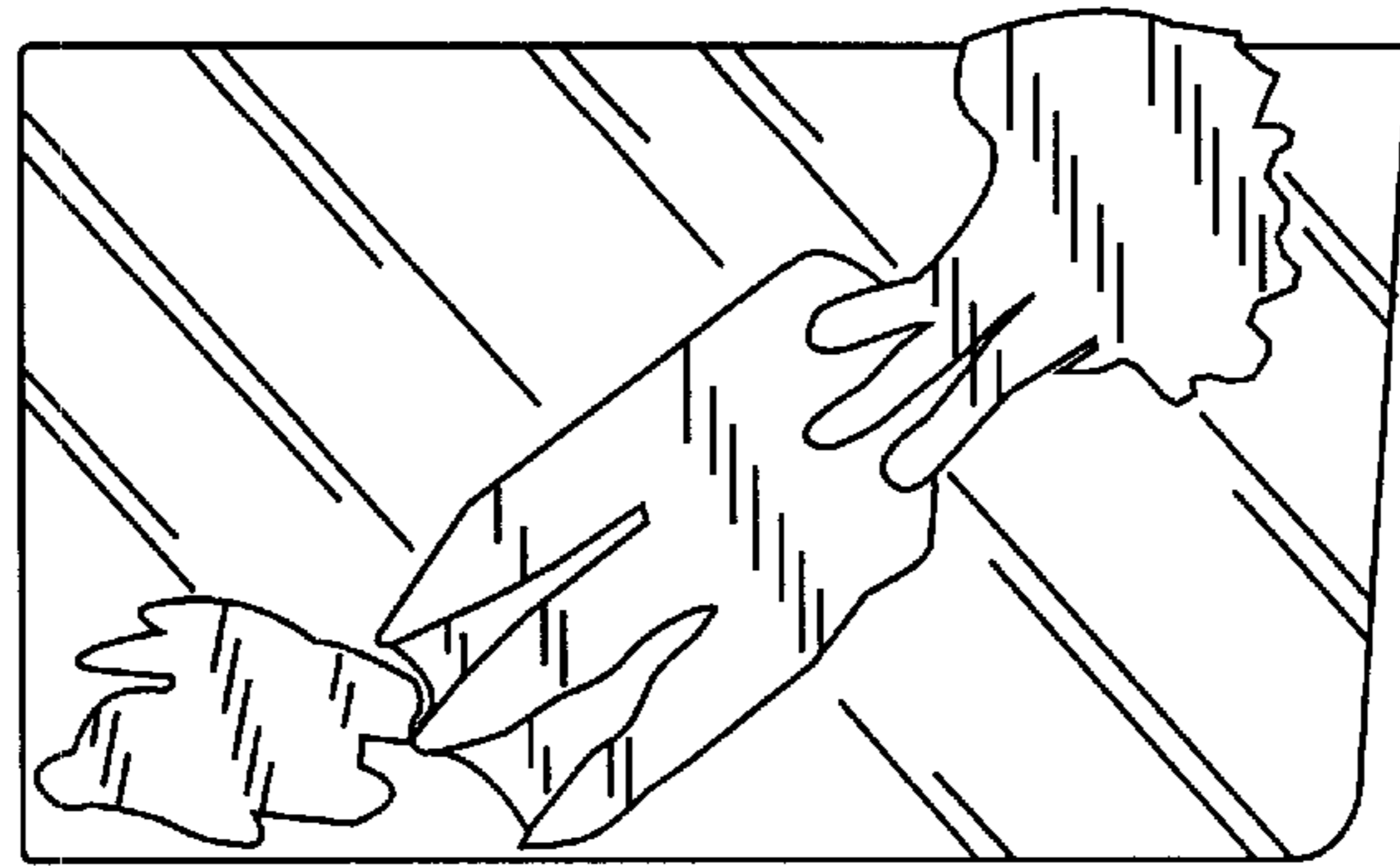


Fig. 2



Fig. 4

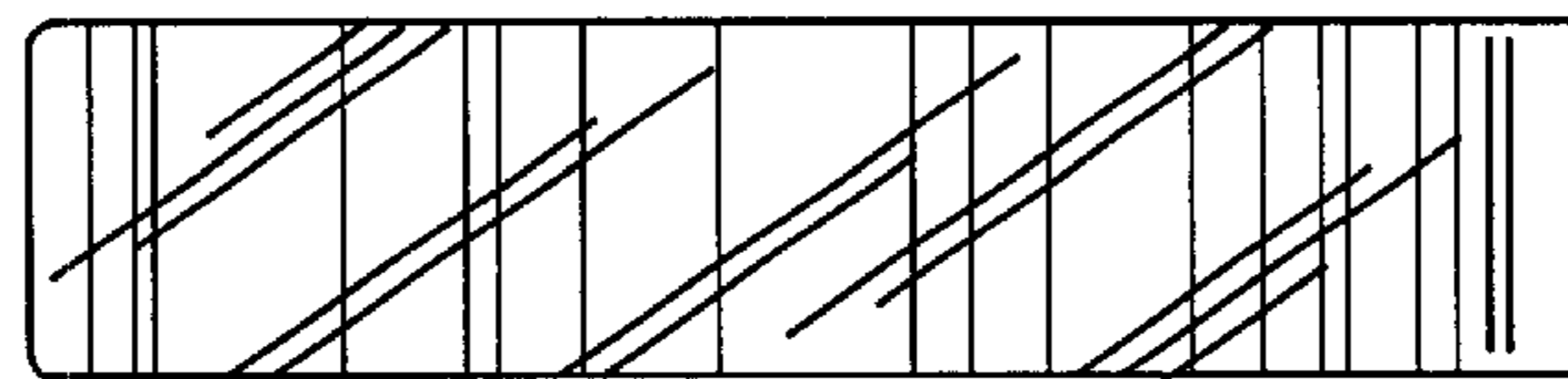


Fig. 6