



US00D452039B1

(12) **United States Design Patent**
Freeman et al.

(10) **Patent No.:** **US D452,039 S**

(45) **Date of Patent:** **** Dec. 11, 2001**

(54) **SOAP BAR**

2,292,359 * 8/1942 Block 510/146
5,869,437 * 2/1999 Wolfersberger 510/147

(75) Inventors: **Faith Freeman**, Huntington Beach;
Leon J Savoit, IV, La Habra, both of
CA (US)

OTHER PUBLICATIONS

Primal Elements Winter/Spring 1999 catalog: "Dulce
Leche" soap.*

(73) Assignee: **Primal Elements, Inc.**, Garden Grove,
CA (US)

* cited by examiner

(**) Term: **14 Years**

Primary Examiner—Ted Shooman
Assistant Examiner—C. Tuttle

(21) Appl. No.: **29/143,247**

(74) *Attorney, Agent, or Firm*—Stetina Brunda Garred &
Brucker

(22) Filed: **Jun. 8, 2001**

(51) **LOC (7) Cl.** **28-02**

(52) **U.S. Cl.** **D28/8.1**

(58) **Field of Search** D28/8.1, 8.2; D11/131-133,
D11/140; D19/96, 97; 510/140, 142-144,
146, 147; 428/13

(57) **CLAIM**

The ornamental design for a soap bar, as shown and
described.

(56) **References Cited**

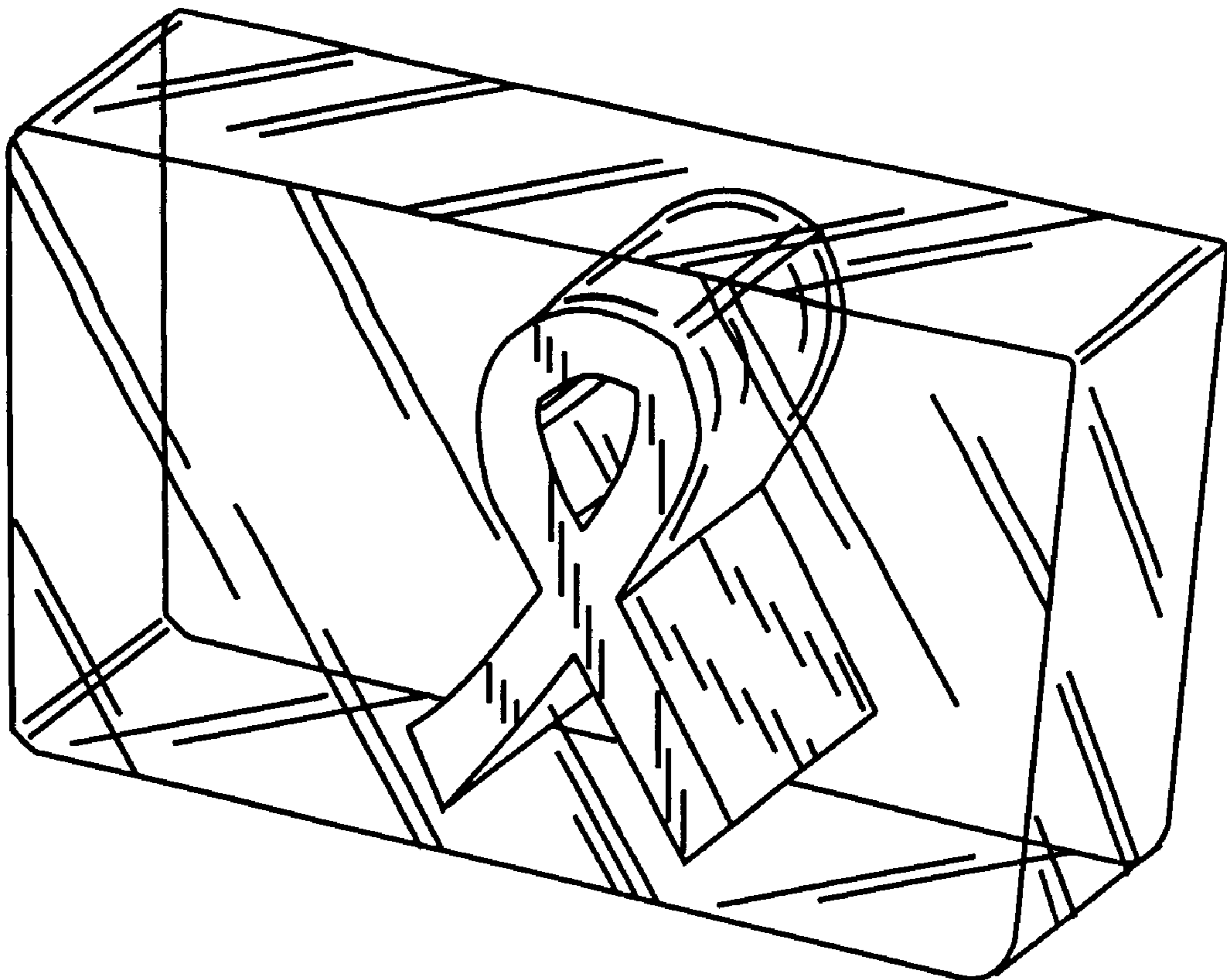
U.S. PATENT DOCUMENTS

304,913	*	9/1884	Craig	264/247
354,186	*	12/1886	Gardner	40/635
D. 412,375	*	7/1999	Freeman	D28/8.1
D. 426,021	*	5/2000	Freeman	D28/8.2
683,181	*	9/1901	Merenes	510/440
710,939	*	10/1902	Berry	510/146

DESCRIPTION

FIG. 1 is a front perspective view of the soap bar of the
present invention showing our new design;
FIG. 2 is a front elevational view thereof;
FIG. 3 is a left side elevational view thereof;
FIG. 4 is a right side elevational view thereof;
FIG. 5 is a top plan view thereof; and,
FIG. 6 is a bottom plan view thereof.

1 Claim, 1 Drawing Sheet



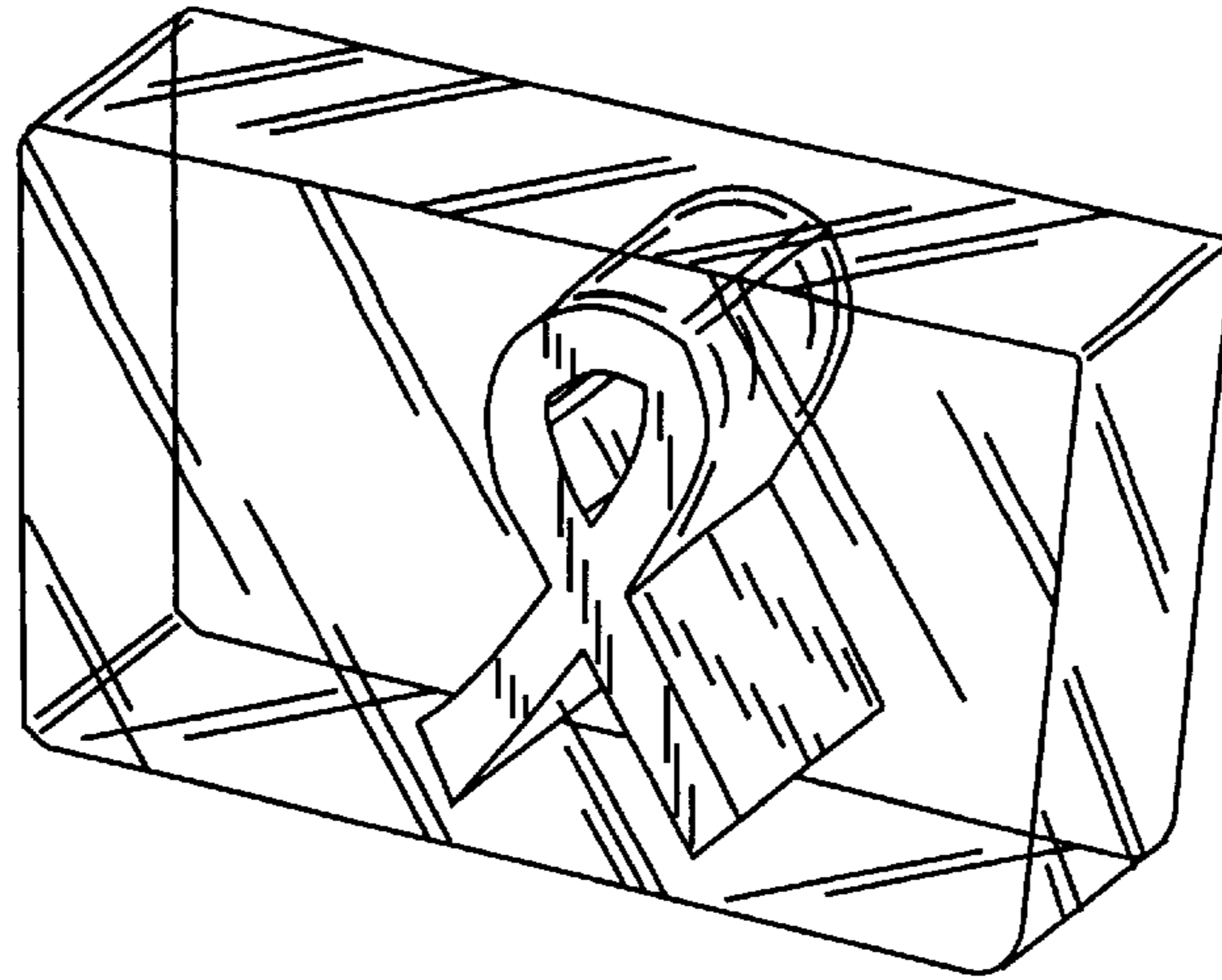


Fig. 1

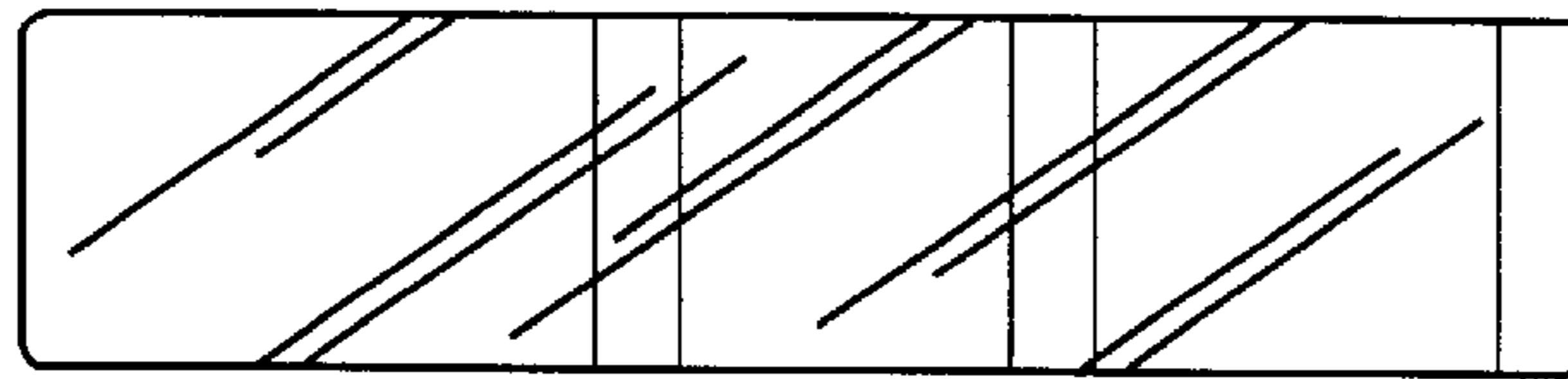


Fig. 5

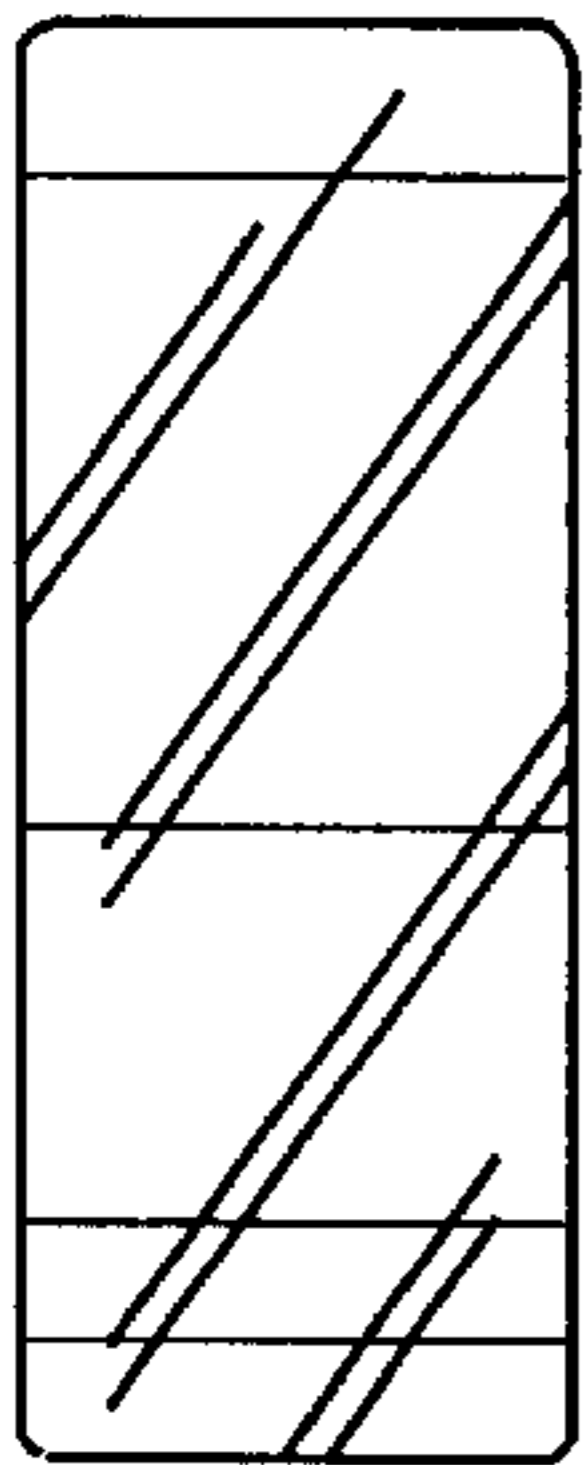


Fig. 3

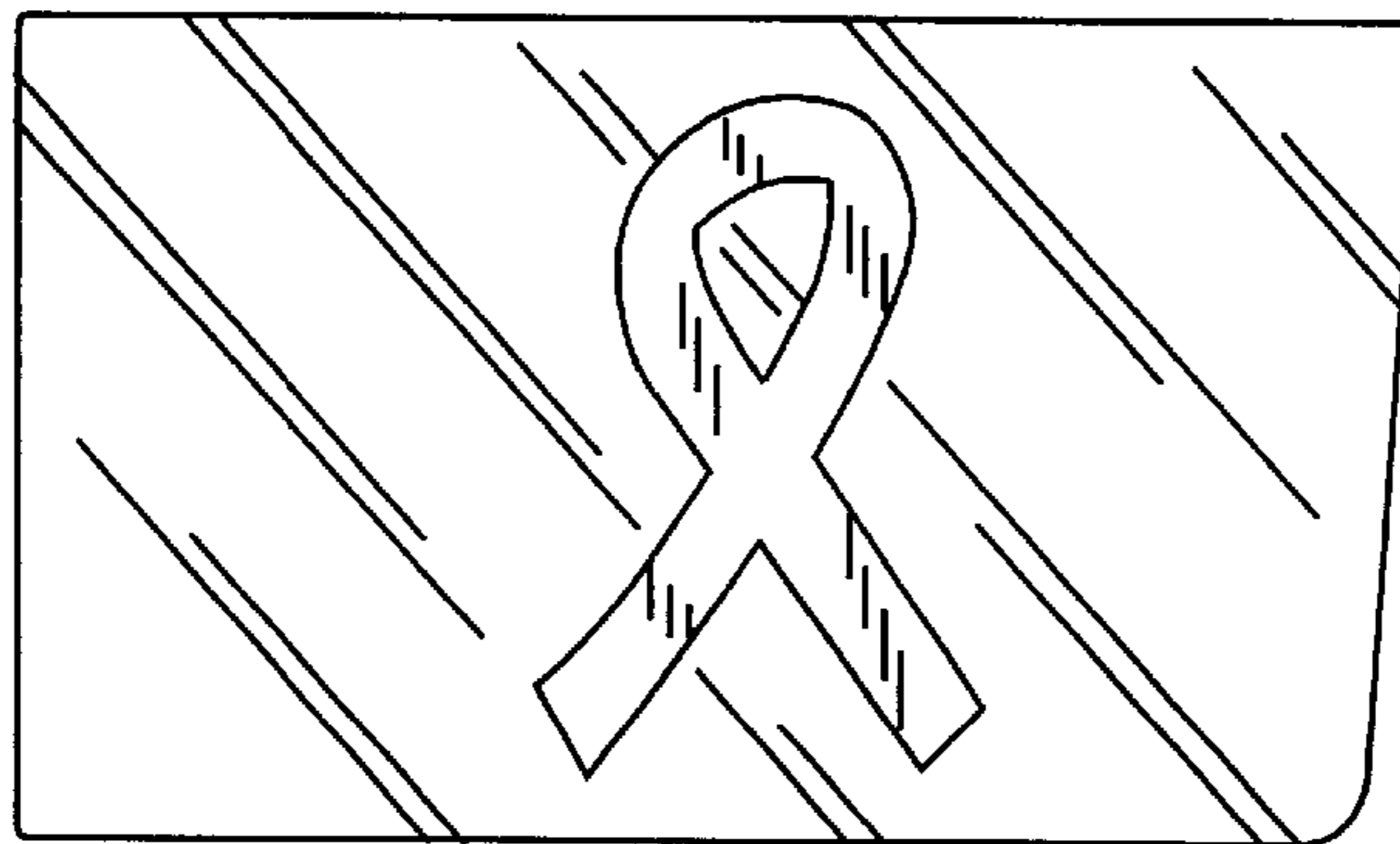


Fig. 2

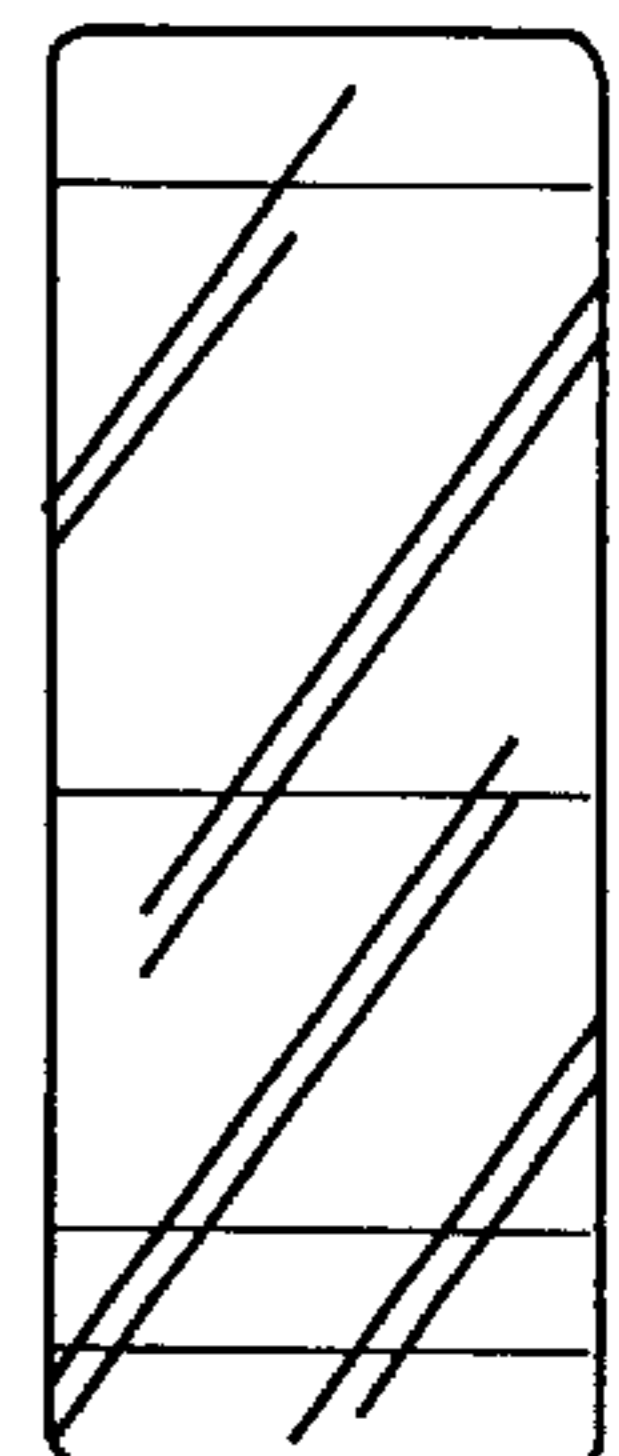


Fig. 4

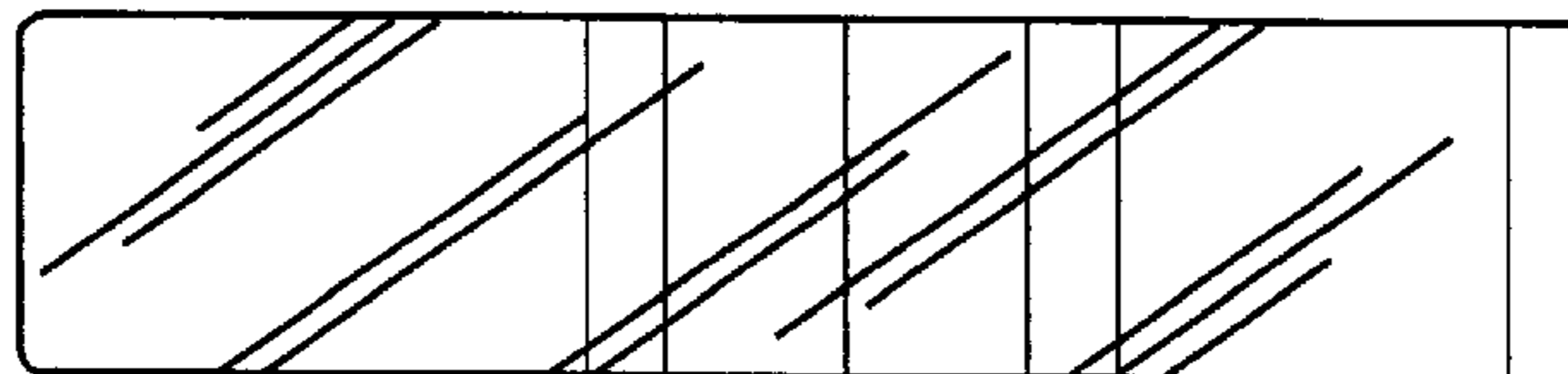


Fig. 6