



US00D452037B1

(12) **United States Design Patent**  
**Smith**

(10) **Patent No.:** **US D452,037 S**

(45) **Date of Patent:** **\*\* Dec. 11, 2001**

(54) **COMBINATION CIGARETTE LIGHTER,  
BOTTLE OPENER, CORKSCREW AND  
KNIFE**

(75) Inventor: **Andrew D. Smith**, Pascoag, RI (US)

(73) Assignee: **Colibri Corporation**, Providence, RI (US)

(\*\*) Term: **14 Years**

(21) Appl. No.: **29/143,818**

(22) Filed: **Jun. 20, 2001**

(51) **LOC (7) Cl.** ..... **27-05**

(52) **U.S. Cl.** ..... **D27/143; D27/157; D8/34; D8/105**

(58) **Field of Search** ..... D27/141, 142, D27/143, 154, 157, 195; 431/129, 130, 132, 142-144, 151, 253, 254-256, 267, 273, 274, 277; D8/34, 105; 7/118, 156, 158; 30/109-113

(56) **References Cited**

**U.S. PATENT DOCUMENTS**

D. 435,141 \* 12/2000 Reynolds ..... D27/142

6,142,769 \* 11/2000 Walker ..... 431/253

\* cited by examiner

*Primary Examiner*—Jennifer Rivard

(74) *Attorney, Agent, or Firm*—Salter & Michaelson

(57) **CLAIM**

The ornamental design for a combination cigarette lighter, bottle opener, corkscrew and knife, as shown and described.

**DESCRIPTION**

FIG. 1 is a perspective view of a combination cigarette lighter, bottle opener, corkscrew and knife showing my new design;

FIG. 2 is a side elevational view thereof;

FIG. 3 is an elevational view of the opposite side thereof;

FIG. 4 is a front elevational view thereof;

FIG. 5 is a rear elevational view thereof;

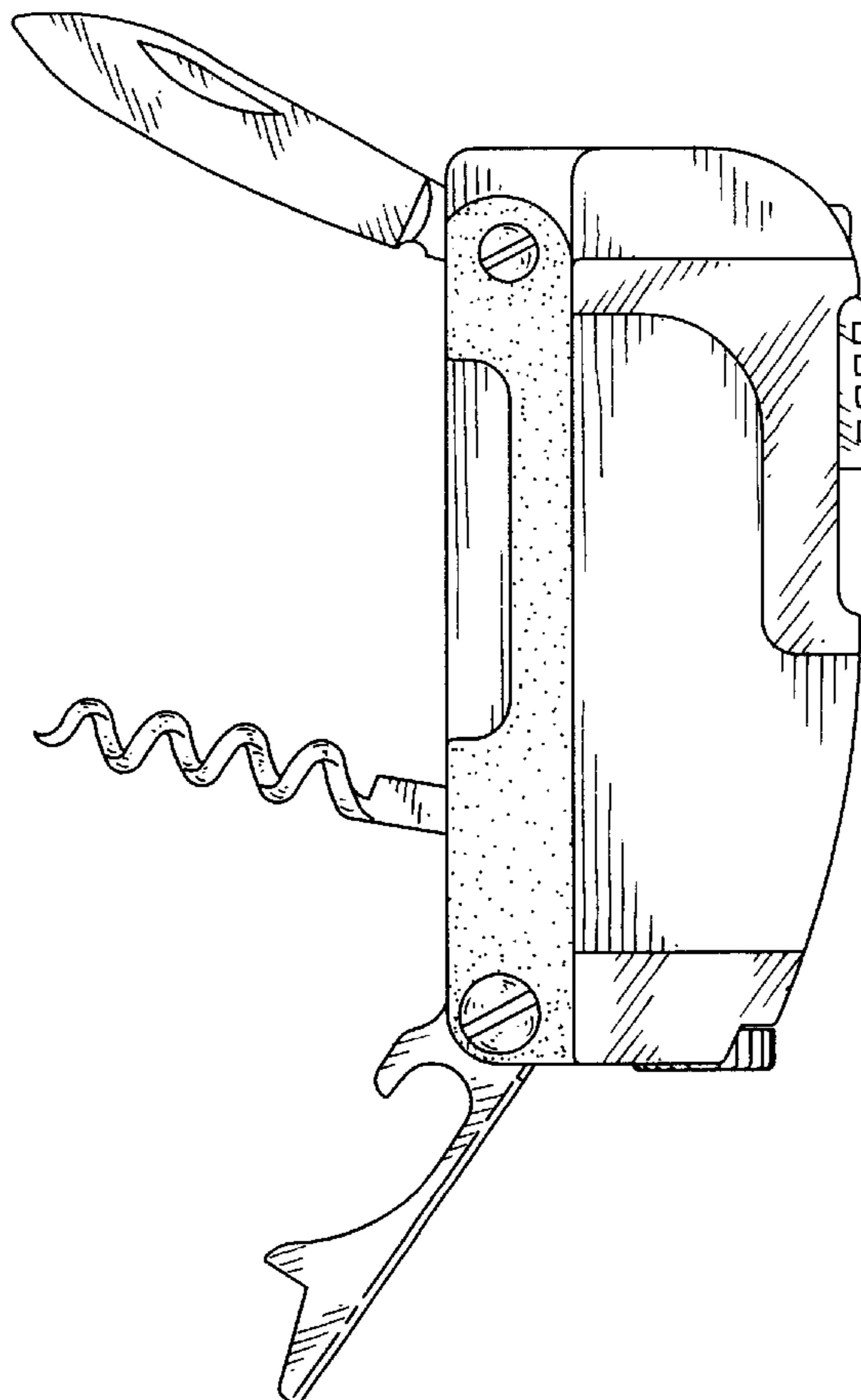
FIG. 6 is a top plan view thereof;

FIG. 7 is a bottom plan view thereof;

FIG. 8 is a perspective view showing the lighter in open, operative position; and,

FIG. 9 is a side elevational view showing the bottle opener, corkscrew and knife in operative position.

**1 Claim, 5 Drawing Sheets**



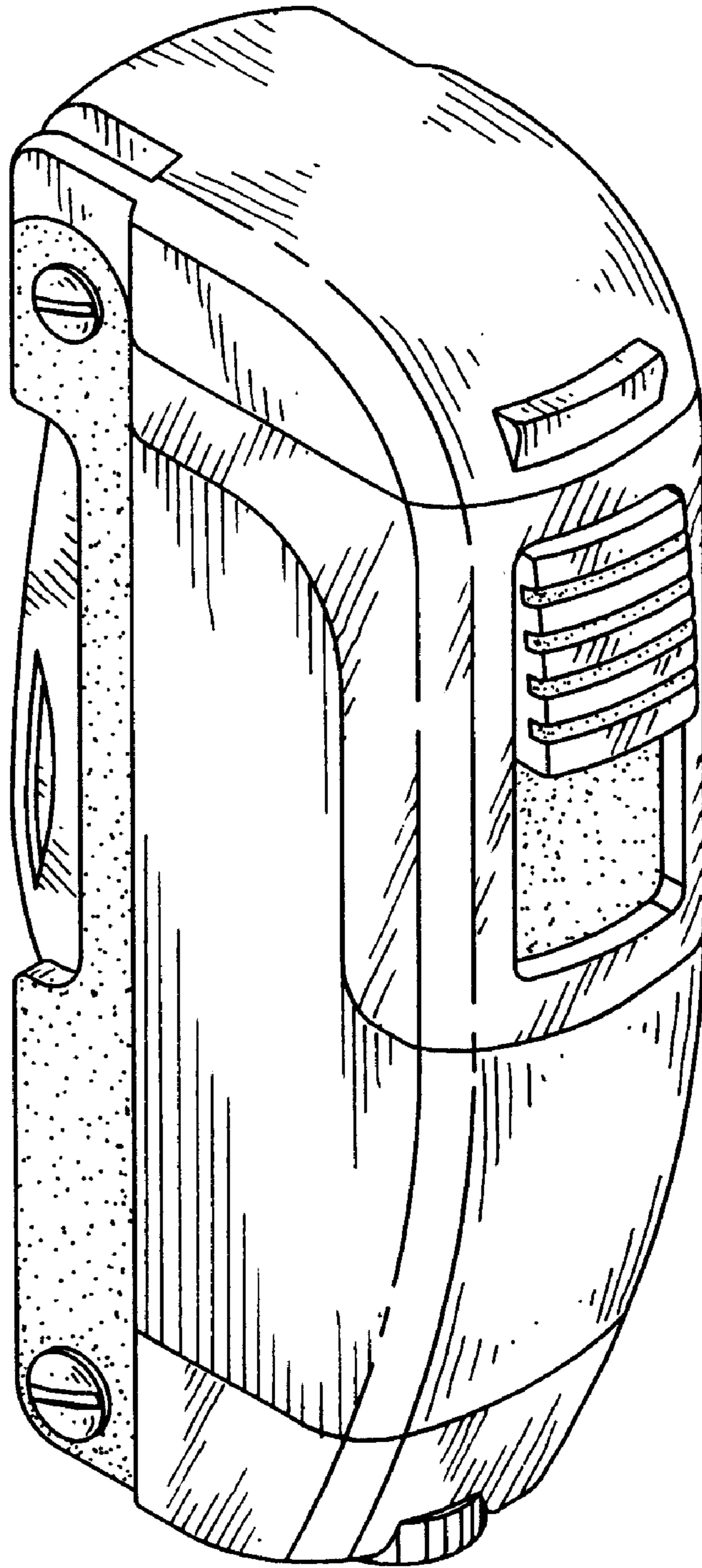


FIG. 1

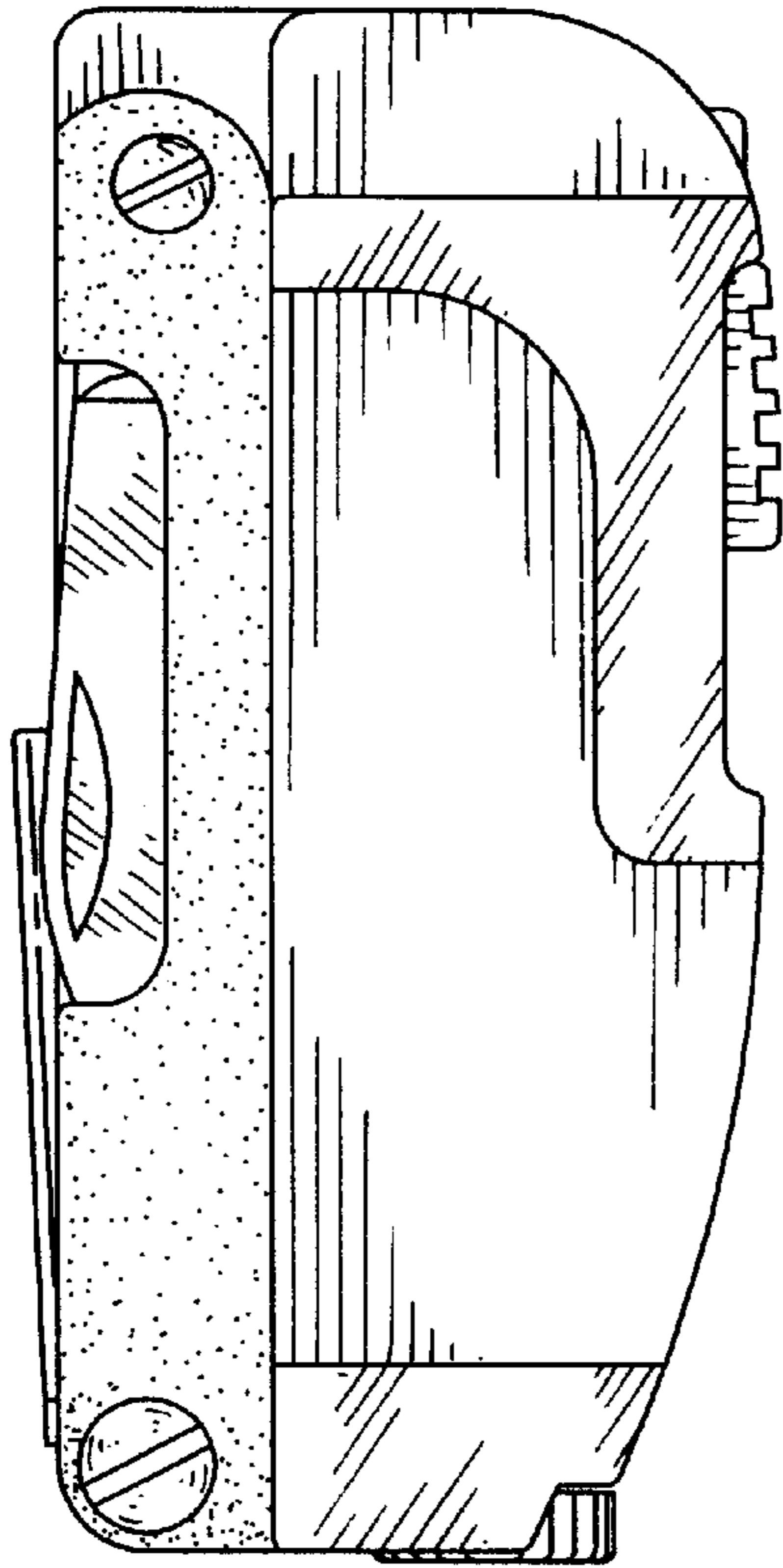


FIG. 2

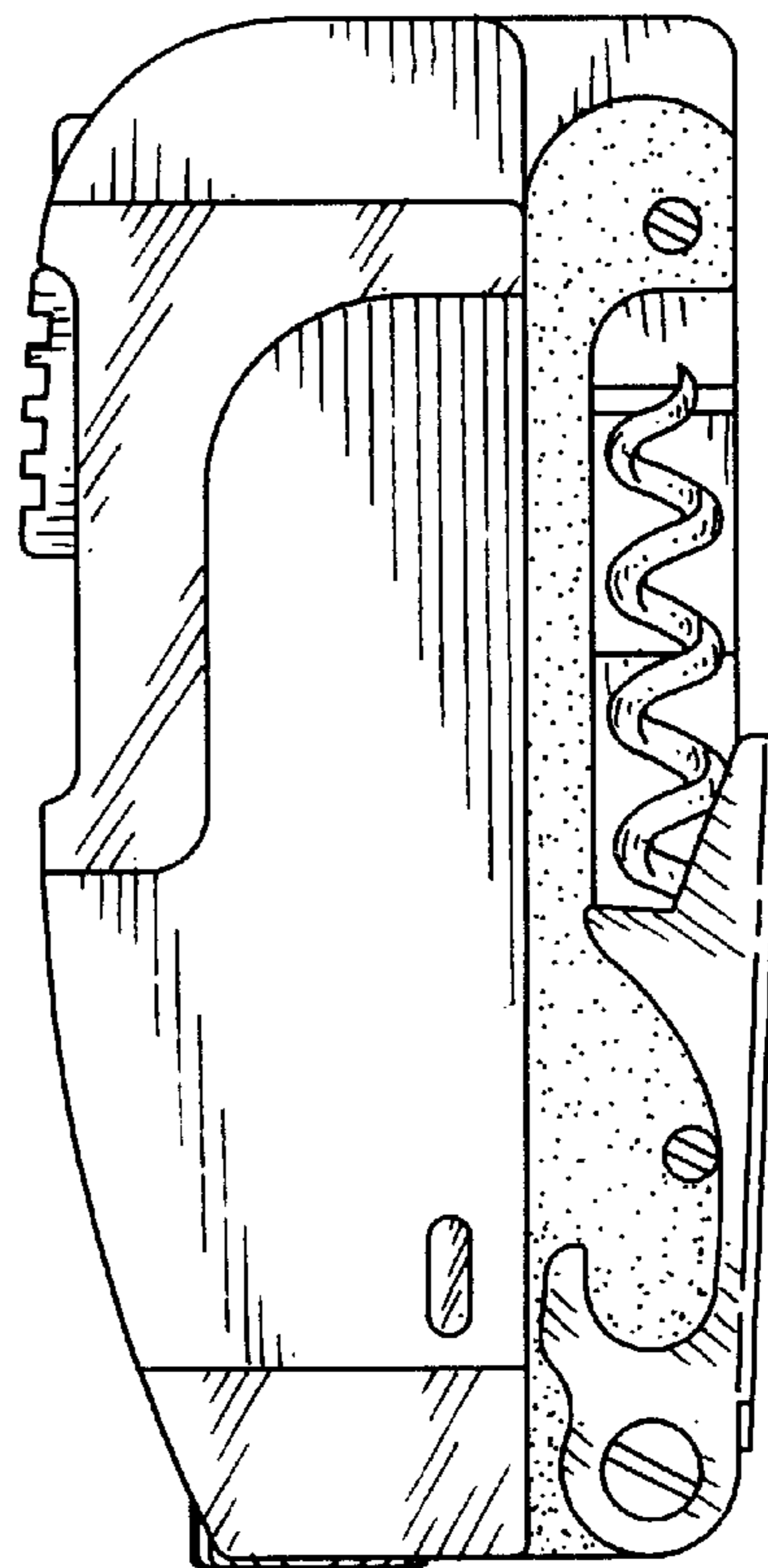


FIG. 3

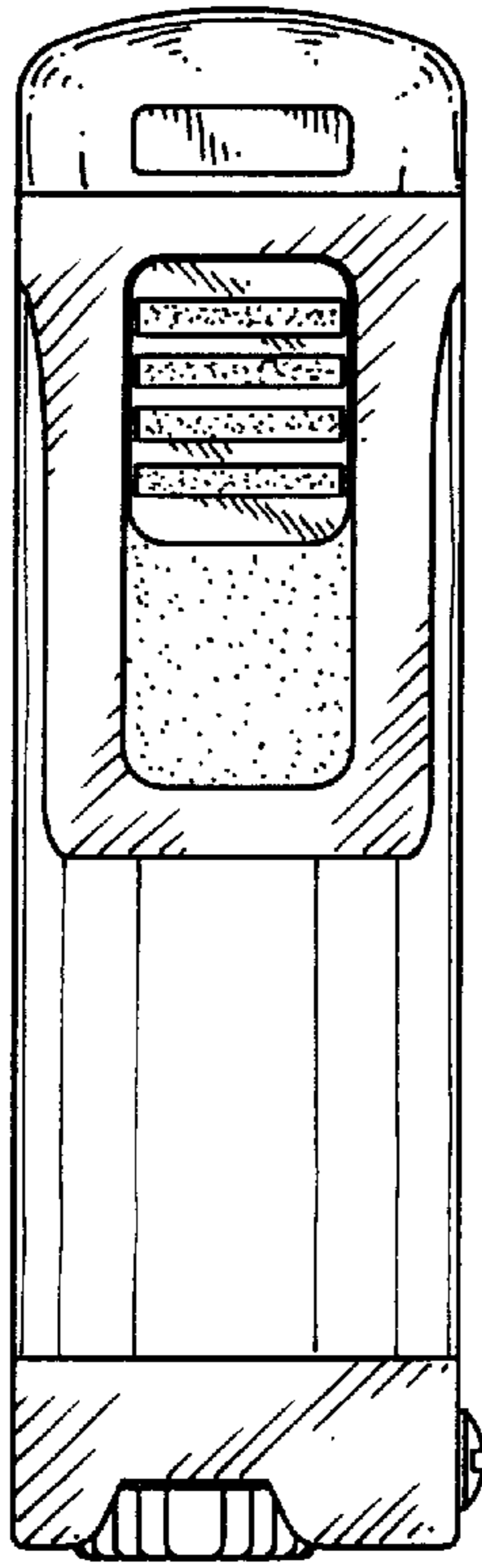


FIG. 4

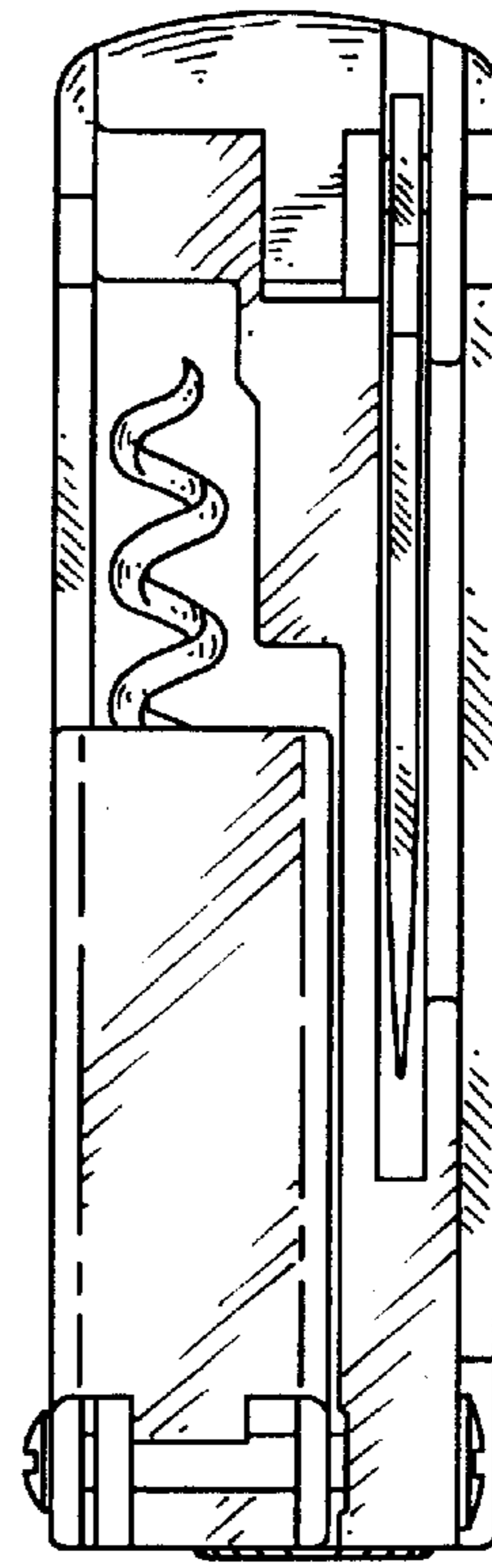


FIG. 5

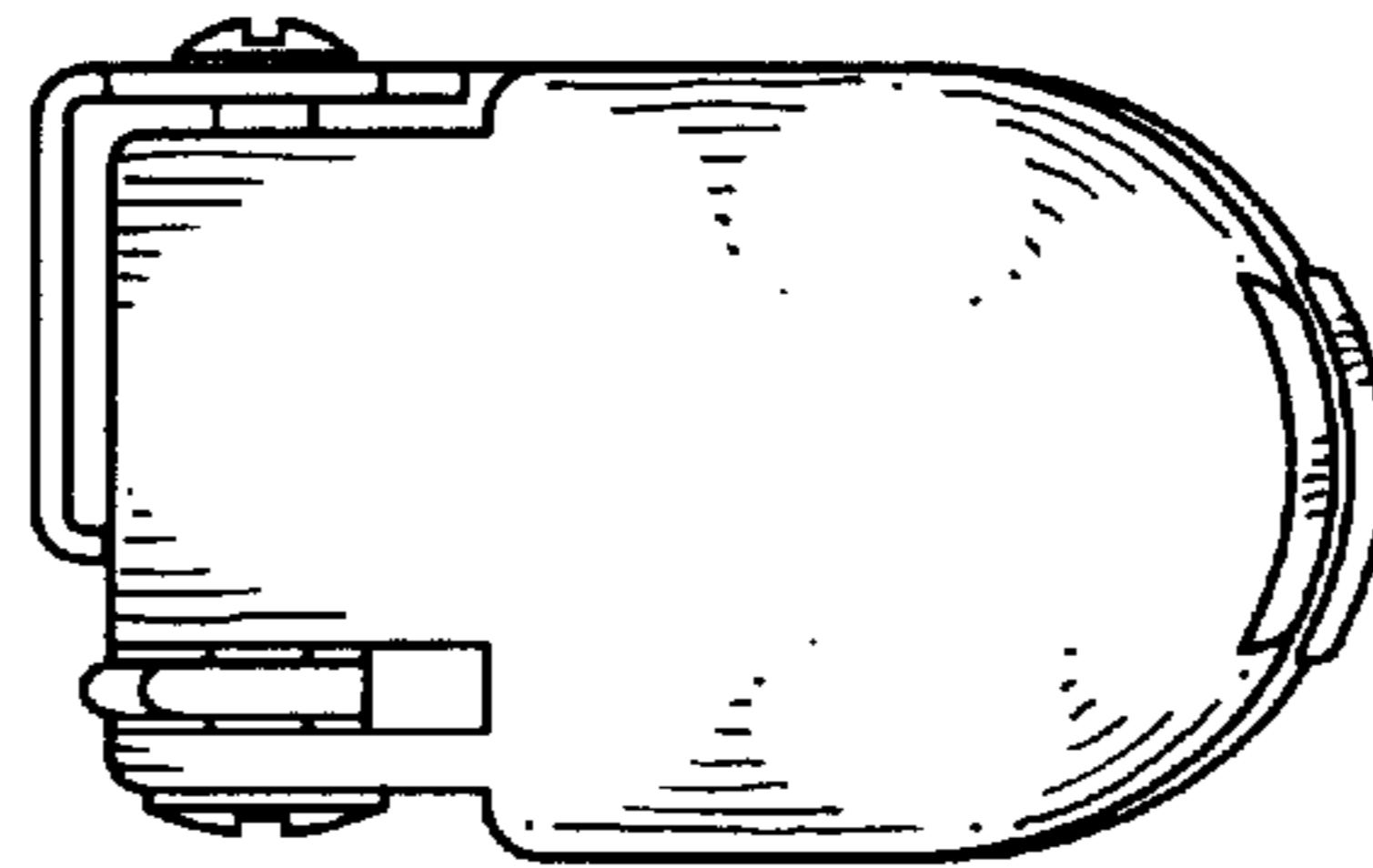


FIG. 6

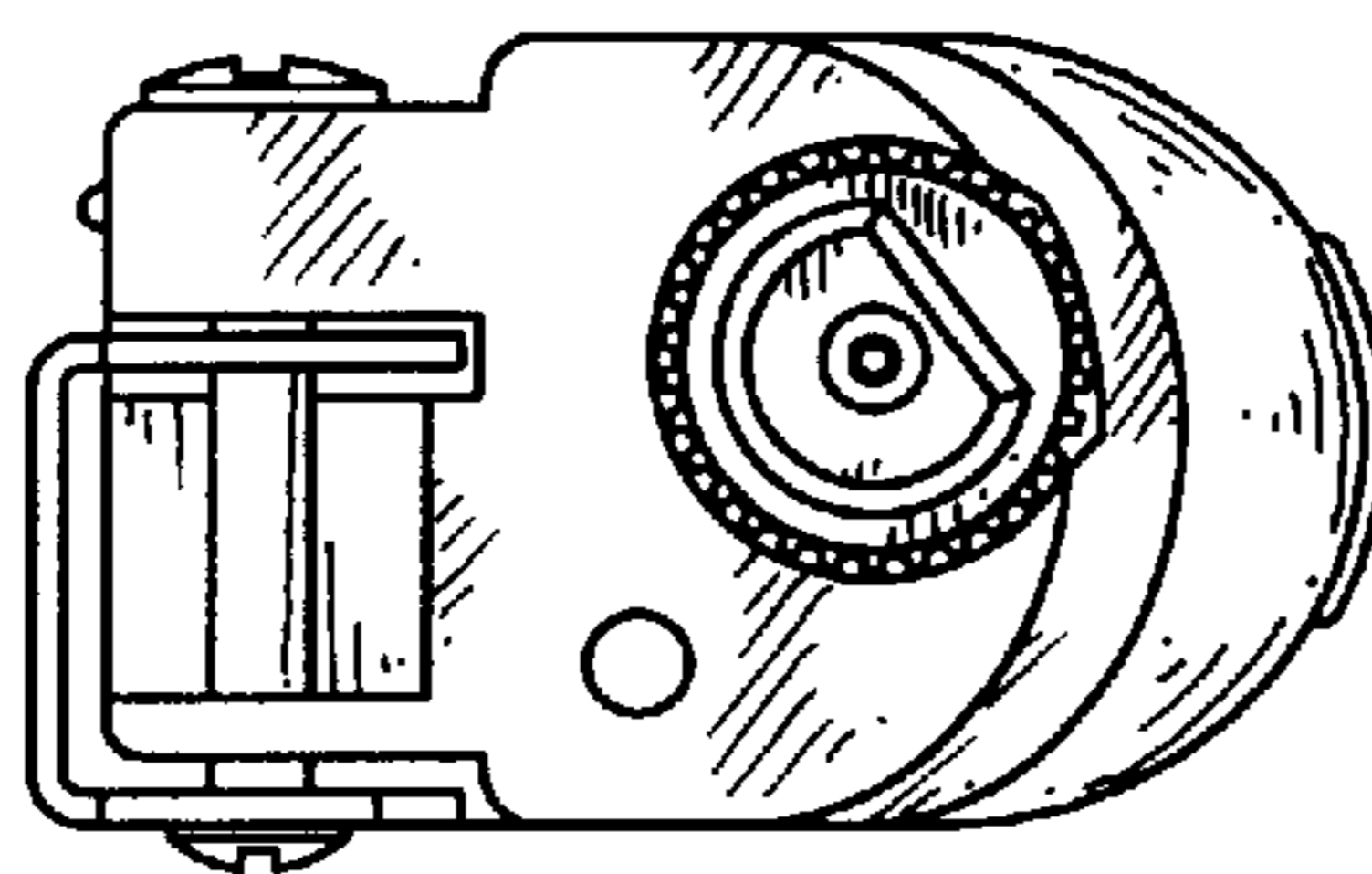


FIG. 7

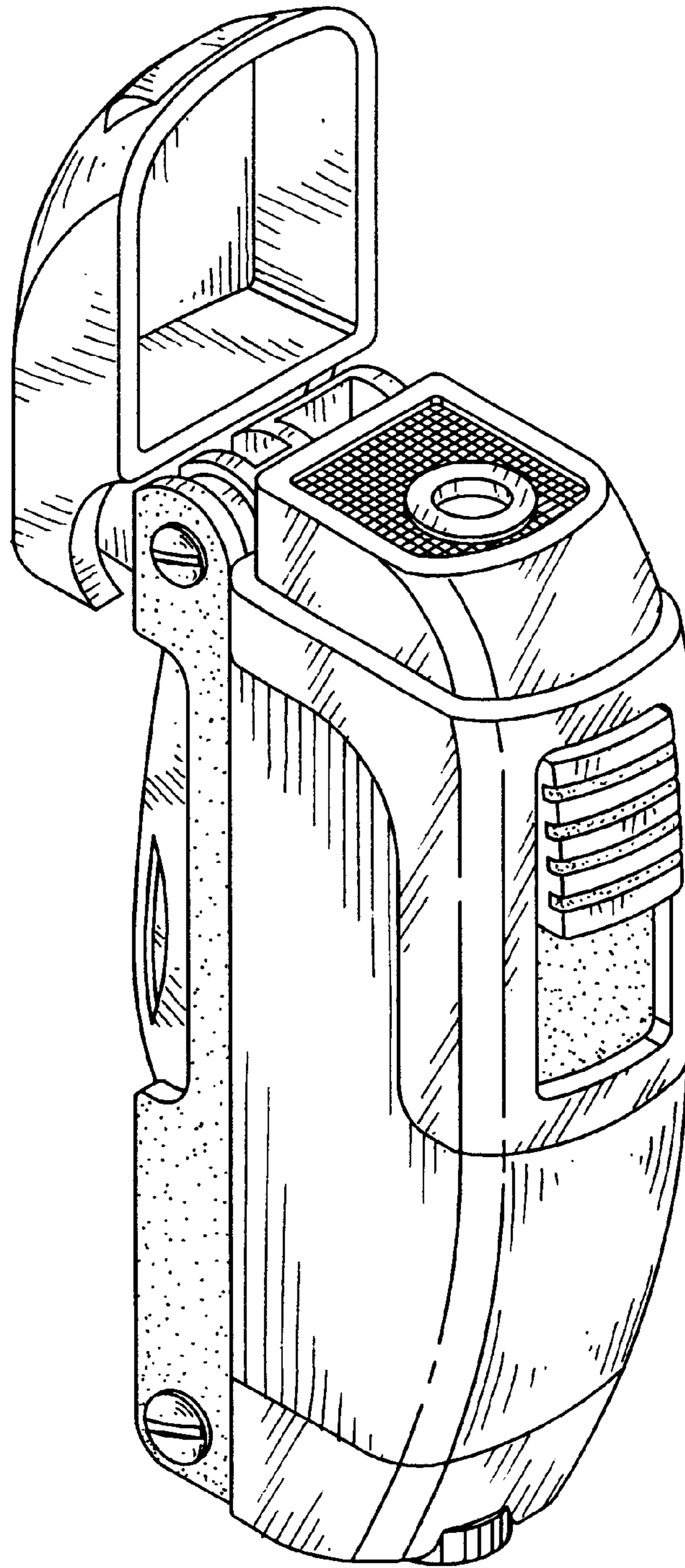


FIG. 8

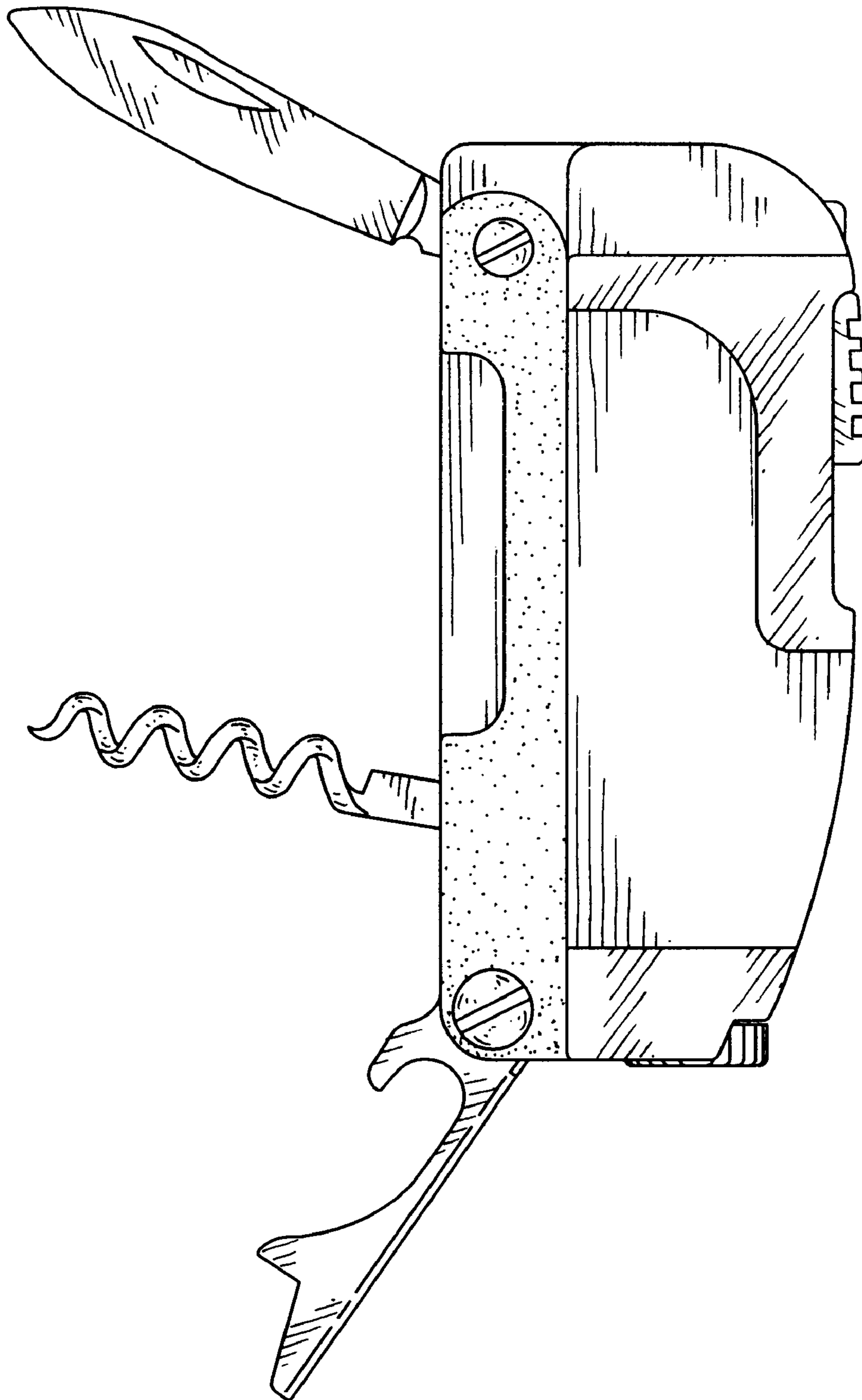


FIG. 9