



US00D452033B1

(12) **United States Design Patent**
Lovegrove

(10) **Patent No.:** **US D452,033 S**

(45) **Date of Patent:** **** Dec. 11, 2001**

(54) **LAMP**

5,860,732 * 1/1999 Coleman et al. 362/253

(75) Inventor: **Ross Lovegrove, London (GB)**

OTHER PUBLICATIONS

(73) Assignee: **Mathmos Ltd., Dorset (GB)**

Taiwan Lighting, Amoebae Lamps on p. 126 and Lava Lamps on p. 127, Feb. 1999.*

(**) Term: **14 Years**

* cited by examiner

(21) Appl. No.: **29/127,181**

Primary Examiner—Alan P. Douglas

Assistant Examiner—Linda Brooks

(22) Filed: **Aug. 2, 2000**

(74) *Attorney, Agent, or Firm*—Dykema Gossett PLLC

(30) **Foreign Application Priority Data**

(57) **CLAIM**

Feb. 2, 2000 (GB) 2090005

The ornamental design for a lamp, as shown.

(51) **LOC (7) Cl.** **26-03**

DESCRIPTION

(52) **U.S. Cl.** **D26/110**

FIG. 1 is a side elevational view of a lamp showing my new and ornamental design,

(58) **Field of Search** D26/93-112; 362/410-414,
362/806, 811, 253

FIG. 2 is an enlarged top plan view thereof,

FIG. 3 is an enlarged bottom plan view thereof,

FIG. 4 is a perspective top view thereof; and,

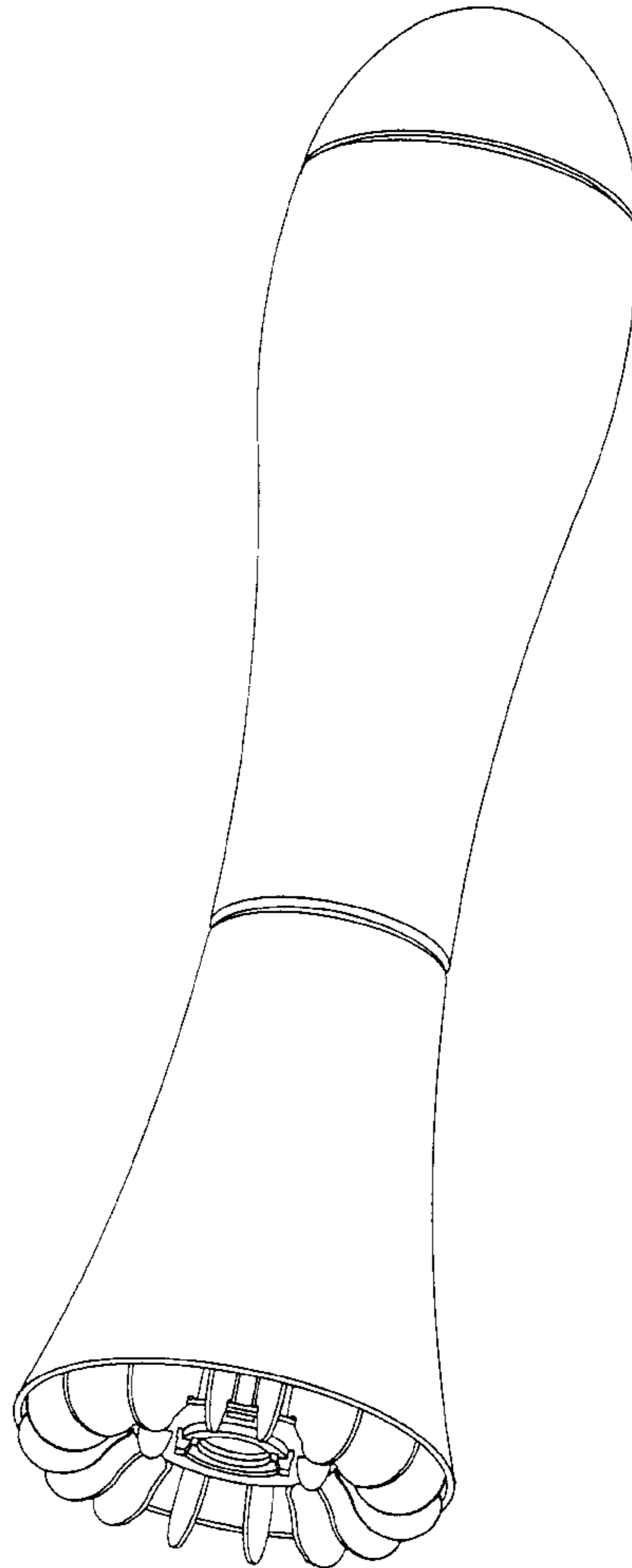
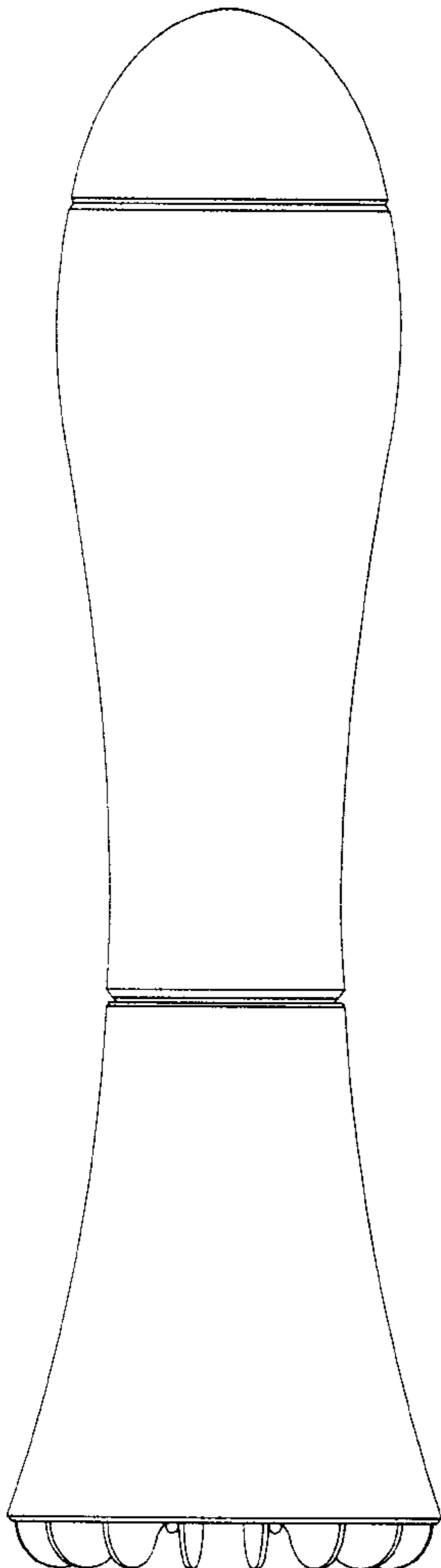
FIG. 5 is a perspective bottom view thereof.

(56) **References Cited**

U.S. PATENT DOCUMENTS

D. 427,709 * 7/2000 Lee et al. D26/104

1 Claim, 5 Drawing Sheets



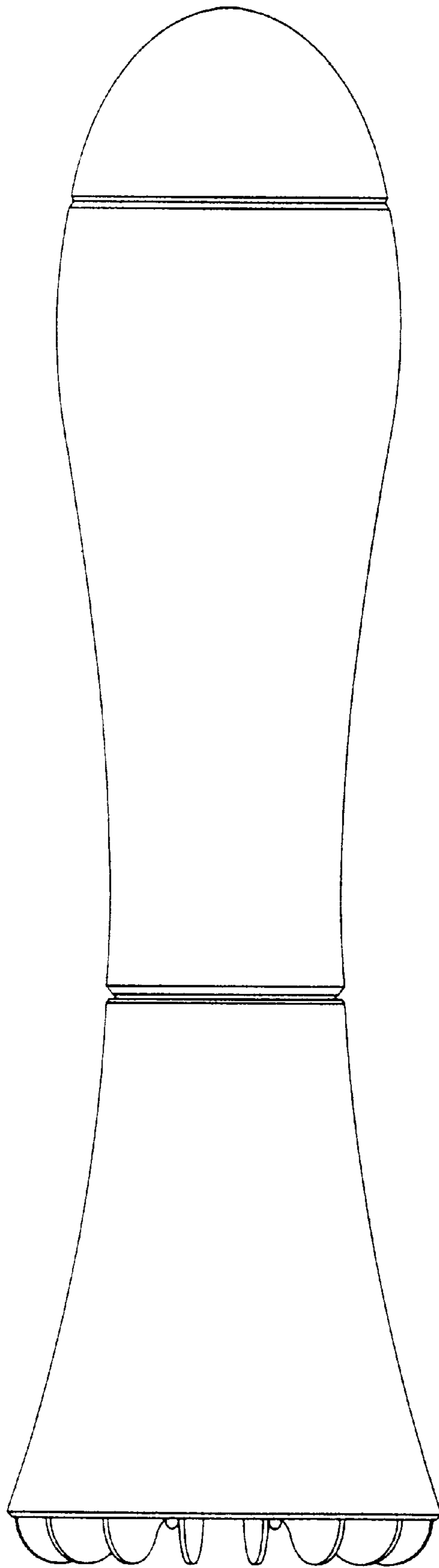


Fig. 1

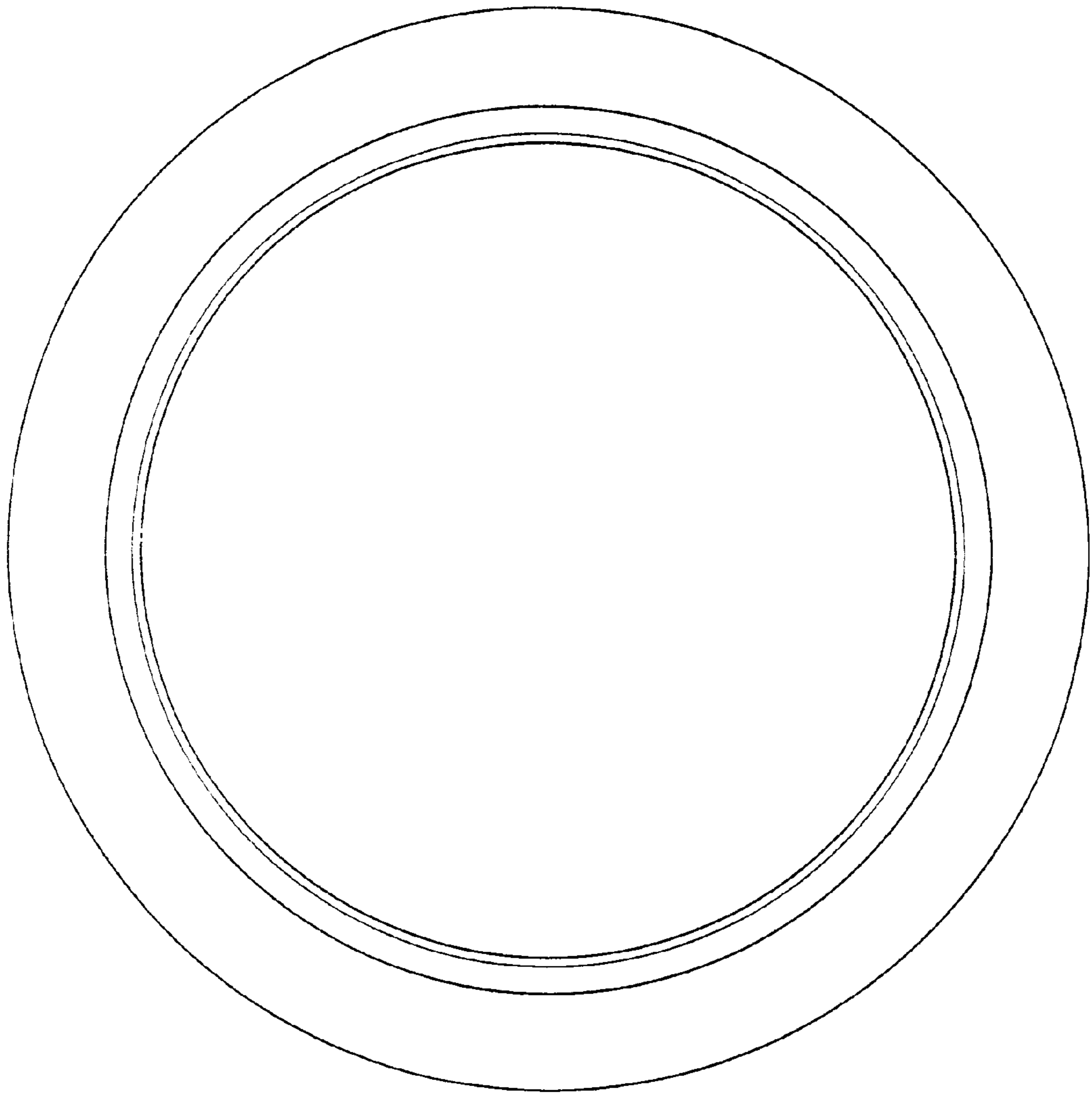


Fig. 2

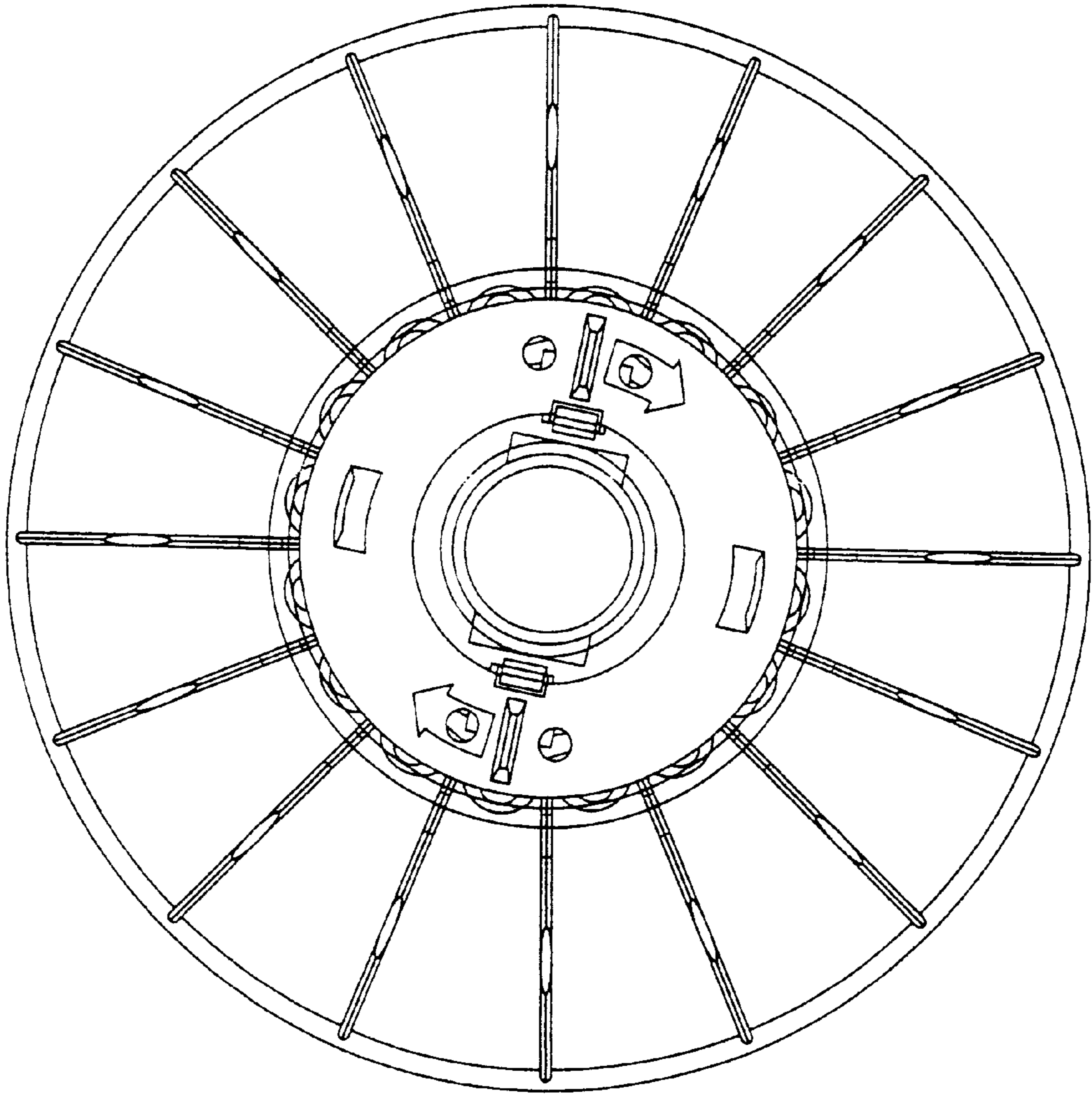


Fig. 3

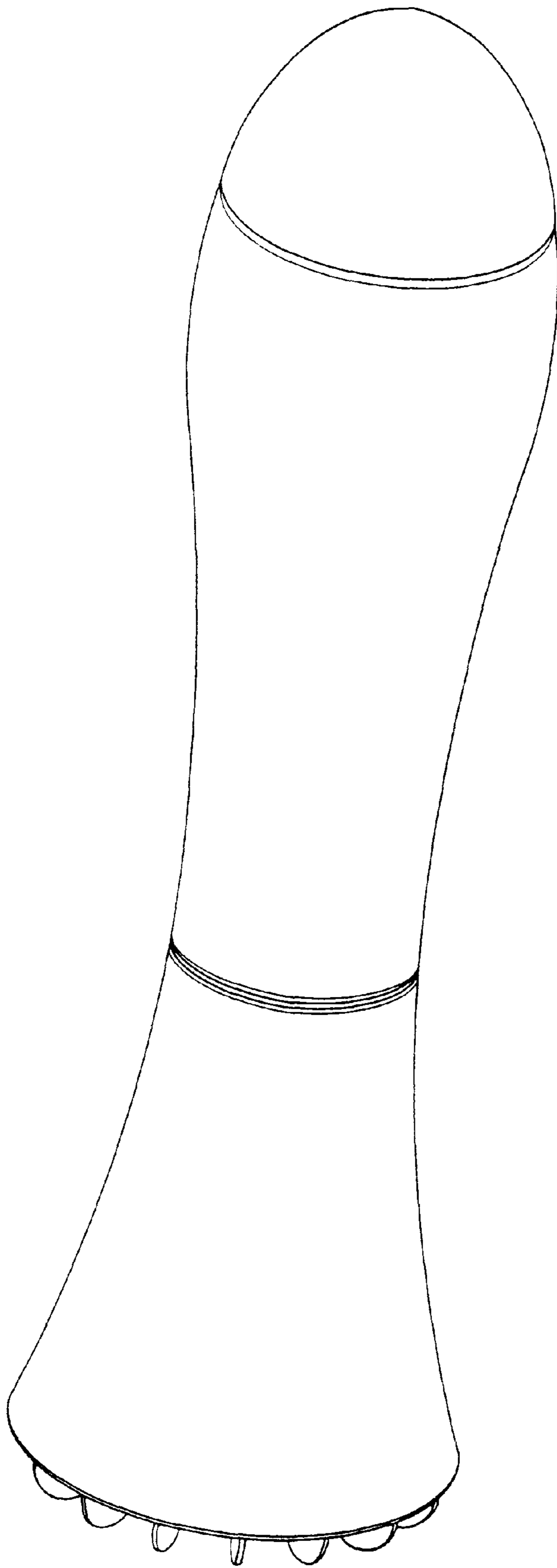


Fig. 4

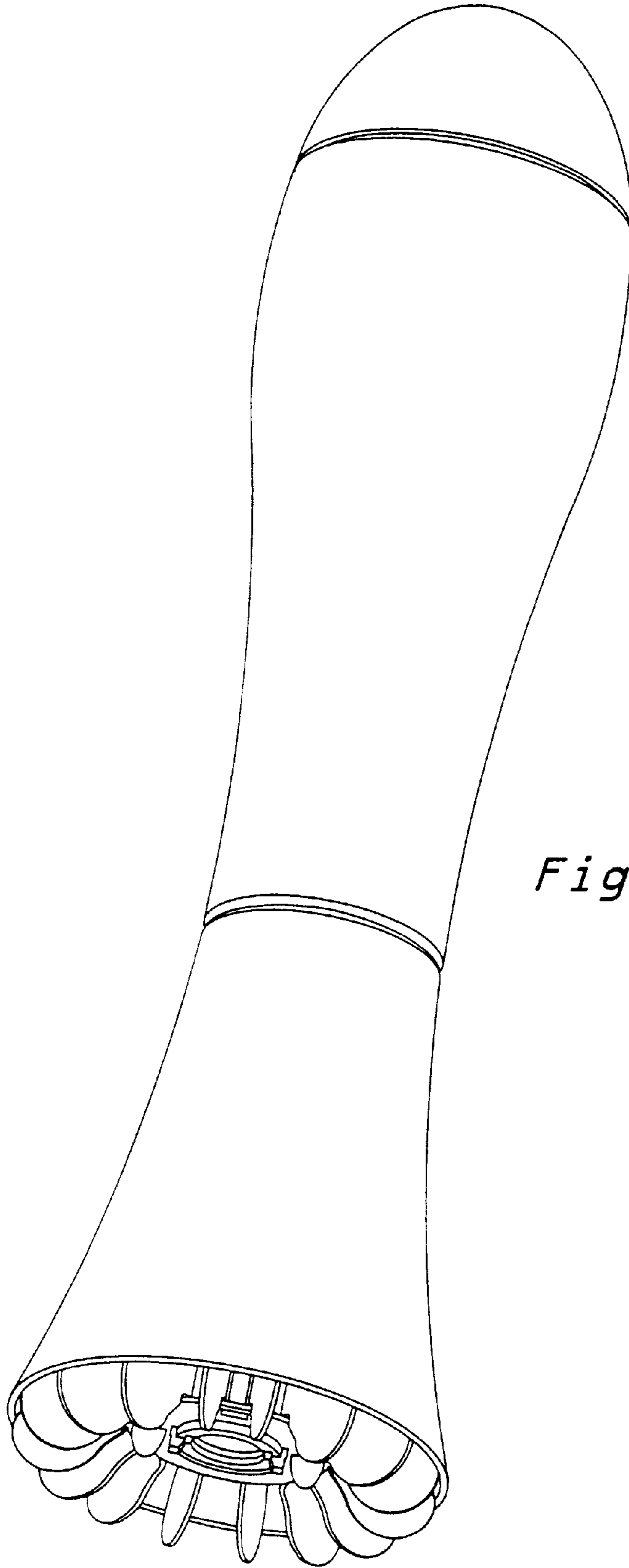


Fig. 5