



US00D452031B1

(12) **United States Design Patent**
Brunner et al.

(10) **Patent No.:** **US D452,031 S**

(45) **Date of Patent:** **** Dec. 11, 2001**

(54) **LIGHT FIXTURE**

(75) Inventors: **Richard L. Brunner; James L. Nadeau**, both of Louisville, KY (US)

(73) Assignee: **Genlyte Thomas Group LLC**,
Louisville, KY (US)

(**) Term: **14 Years**

(21) Appl. No.: **29/133,937**

(22) Filed: **Dec. 11, 2000**

Related U.S. Application Data

(63) Continuation-in-part of application No. 29/109,136, filed on Aug. 10, 1999, now Pat. No. Des. 443,943.

(51) **LOC (7) Cl.** **26-05**

(52) **U.S. Cl.** **D26/87**

(58) **Field of Search** D26/85, 87, 92;
362/147, 132

(56) **References Cited**

U.S. PATENT DOCUMENTS

D. 388,213 * 12/1997 Littman D25/85

OTHER PUBLICATIONS

Visa Lighting catalog, p. 2. wall lamp #CB3550.*

* cited by examiner

Primary Examiner—Susan J. Lucas

(74) *Attorney, Agent, or Firm*—Jeffrey A. Haerberlin;
Middleton Reutlinger

(57) **CLAIM**

What is claimed is the ornamental design for a light fixture,
as shown and described.

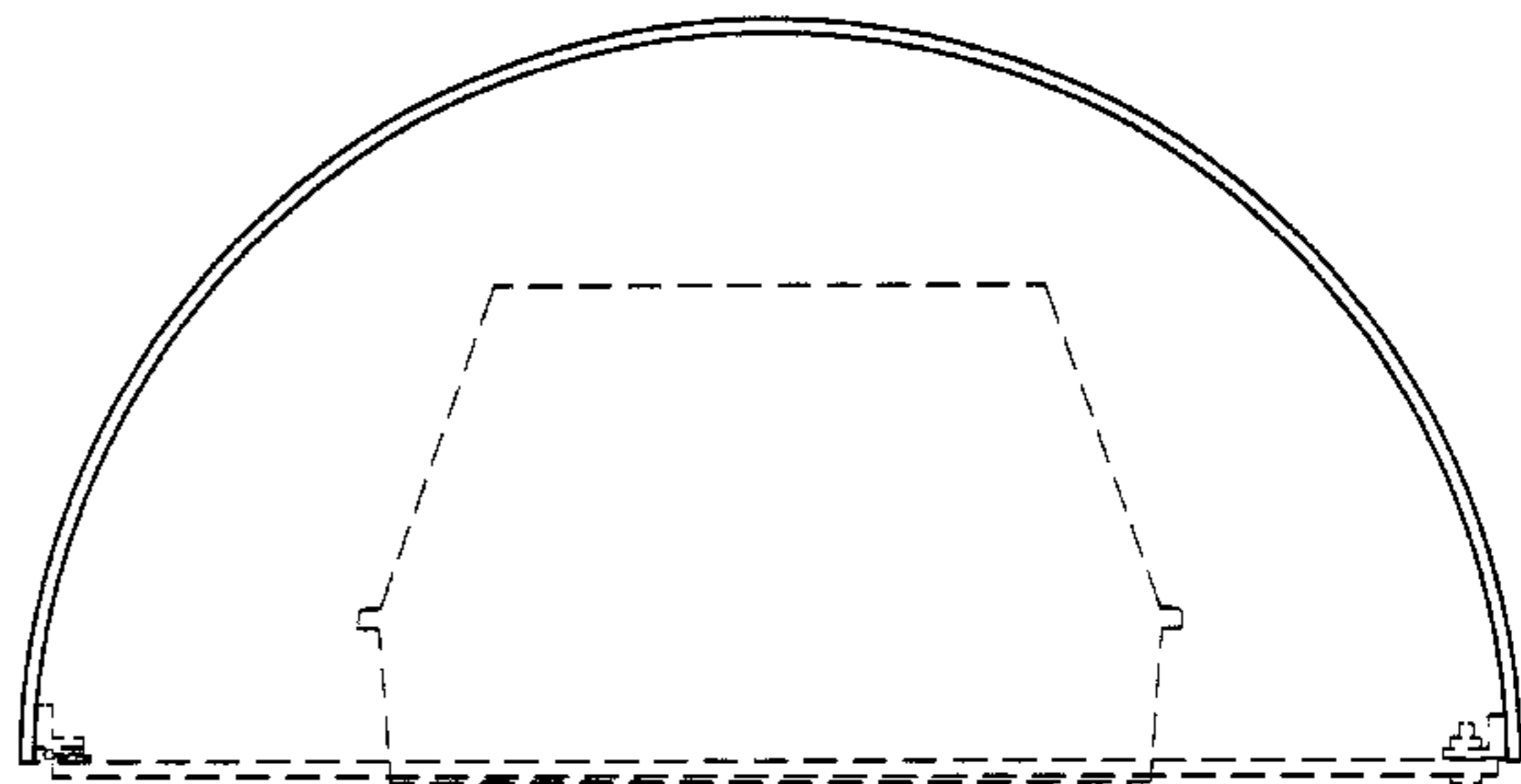
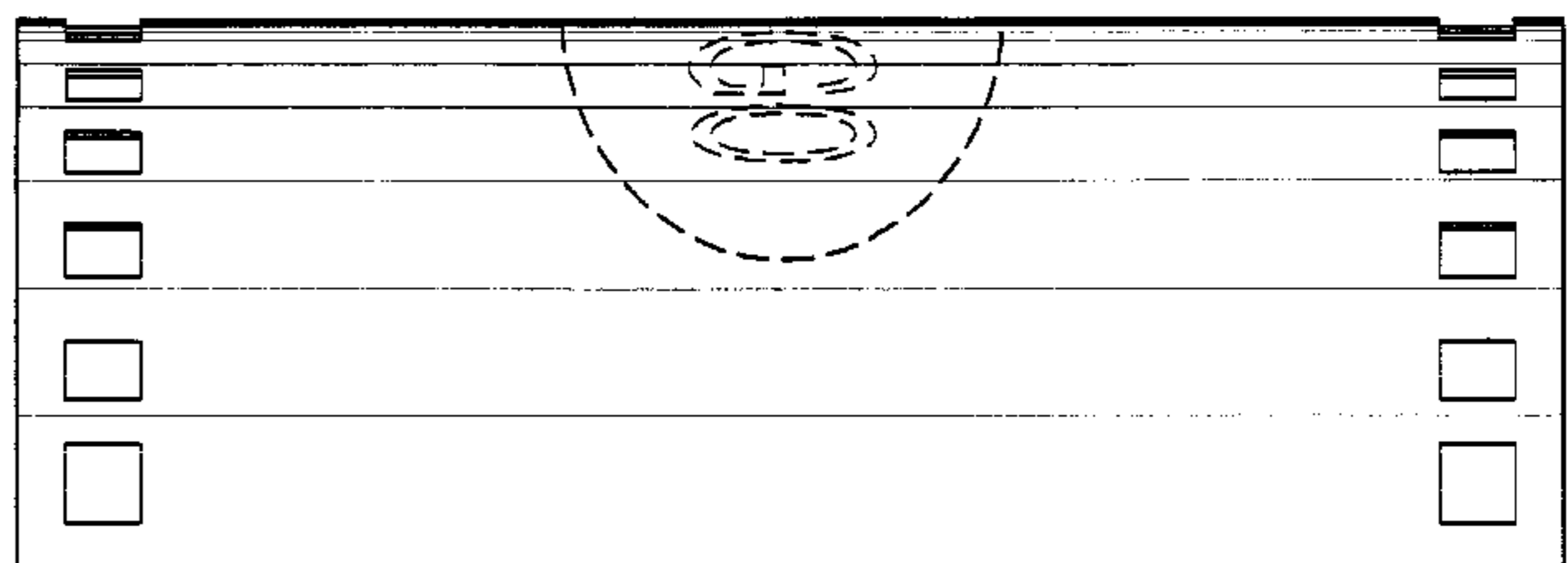
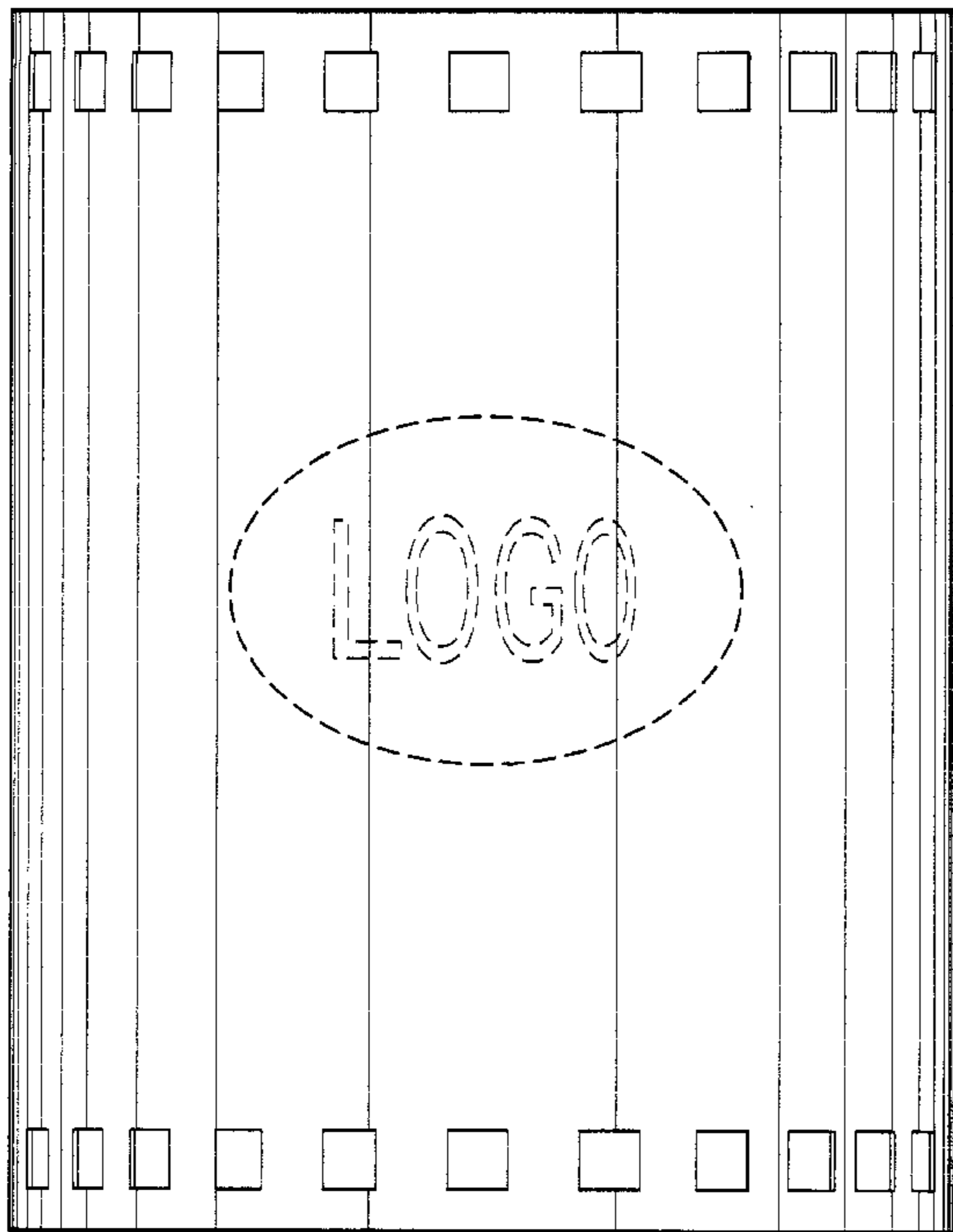
DESCRIPTION

FIG. 1 is a front view of the light fixture of the invention.
FIG. 2 is a right side view of the light fixture of FIG. 1.
FIG. 3 is a left side view of the light fixture of FIG. 1.
FIG. 4 is a rear view of the light fixture of FIG. 1; and,
FIG. 5 is a top view of the light fixture of FIG. 1.

The bottom view of the light fixture of FIG. 1 would be
identical to or a mirror image of the top view of FIG. 5, and
has therefore been omitted from the drawings.

The broken lines shown in FIGS. 1 through 5 are for
illustrative purposes only and form no part of the claimed
design.

1 Claim, 4 Drawing Sheets



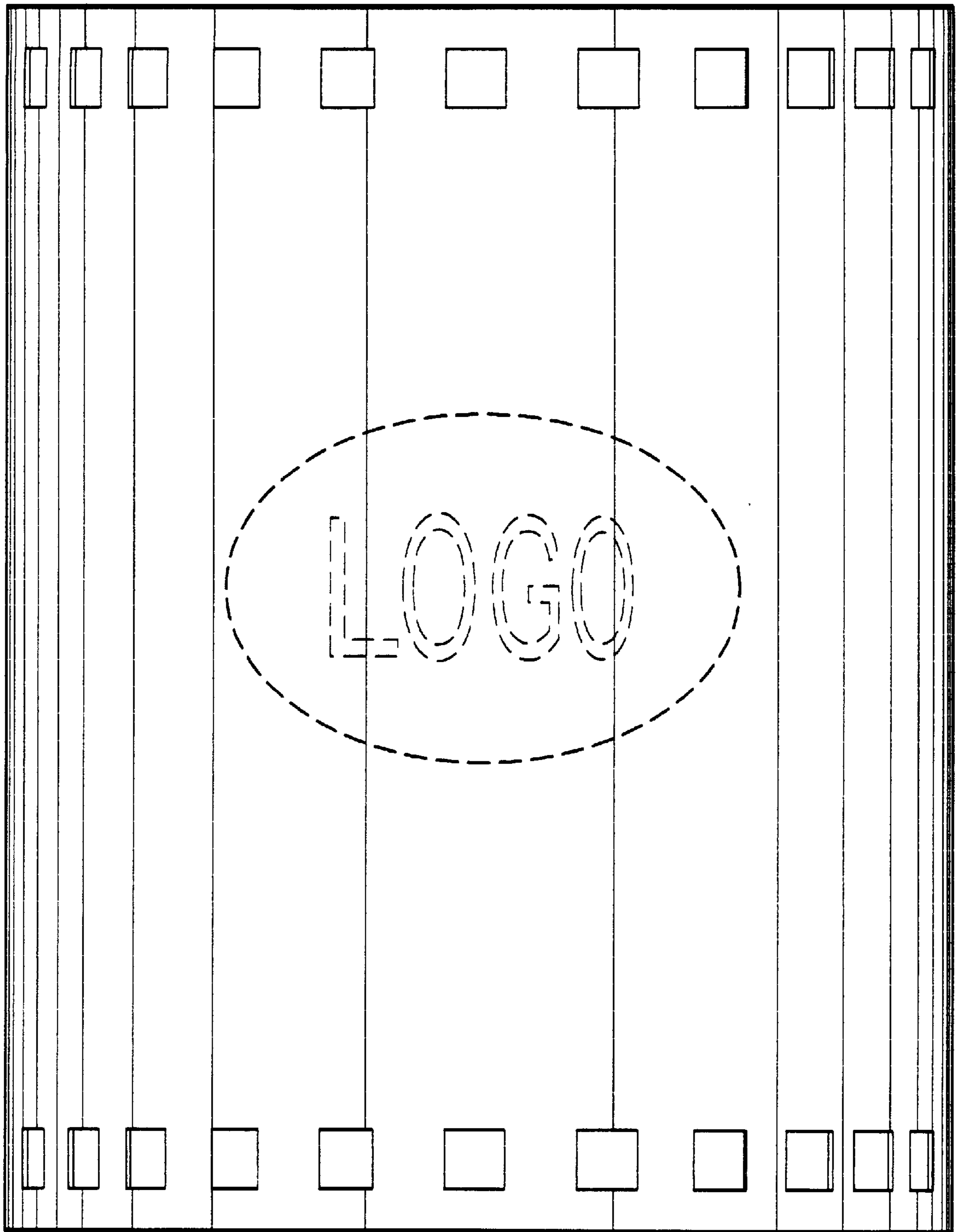


FIG. 1

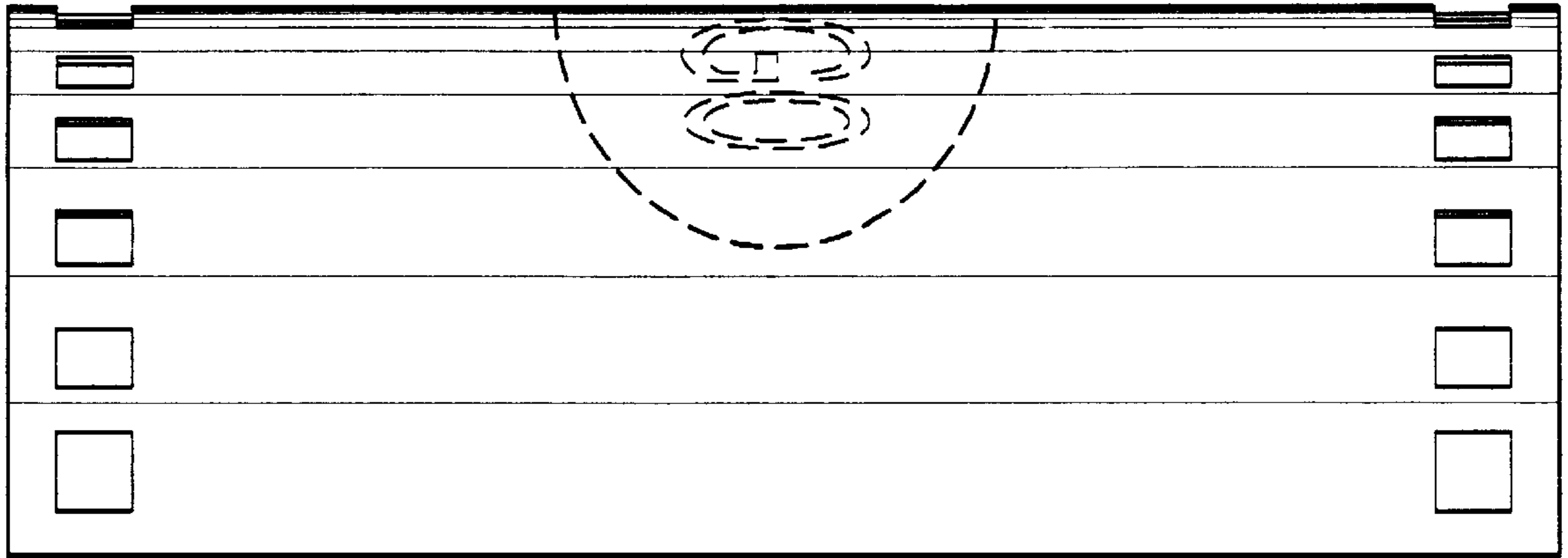


FIG. 2

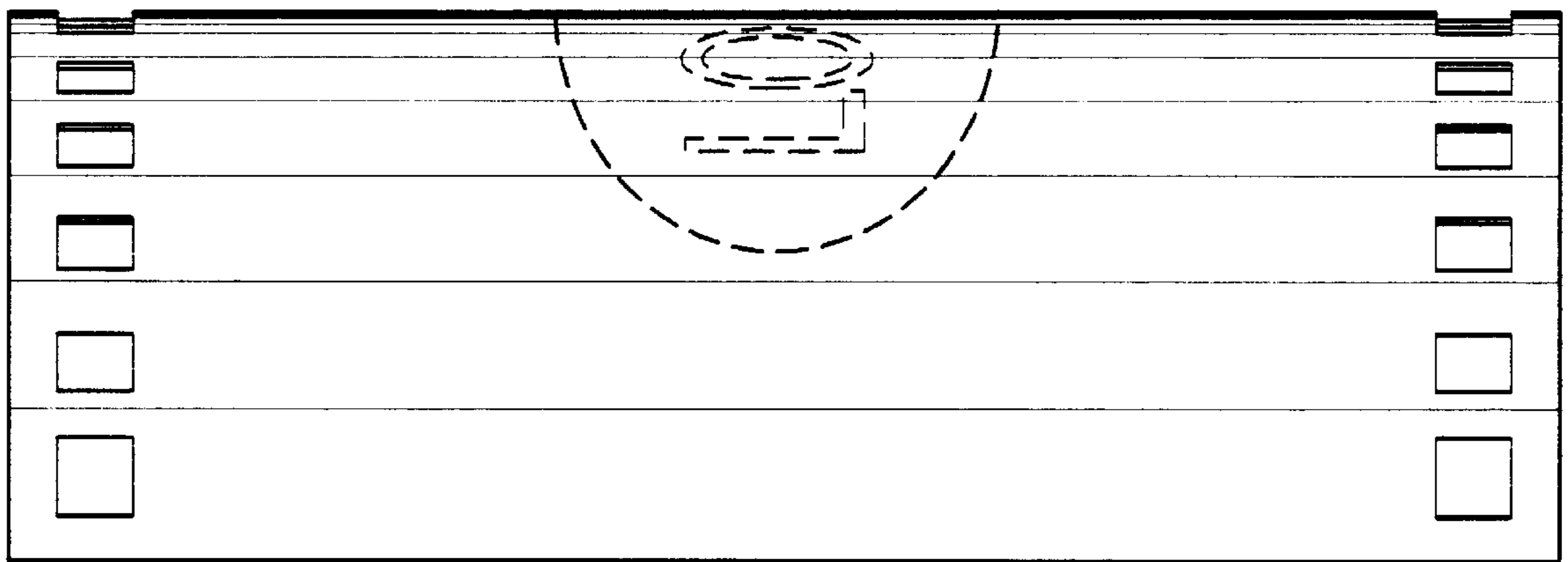


FIG. 3

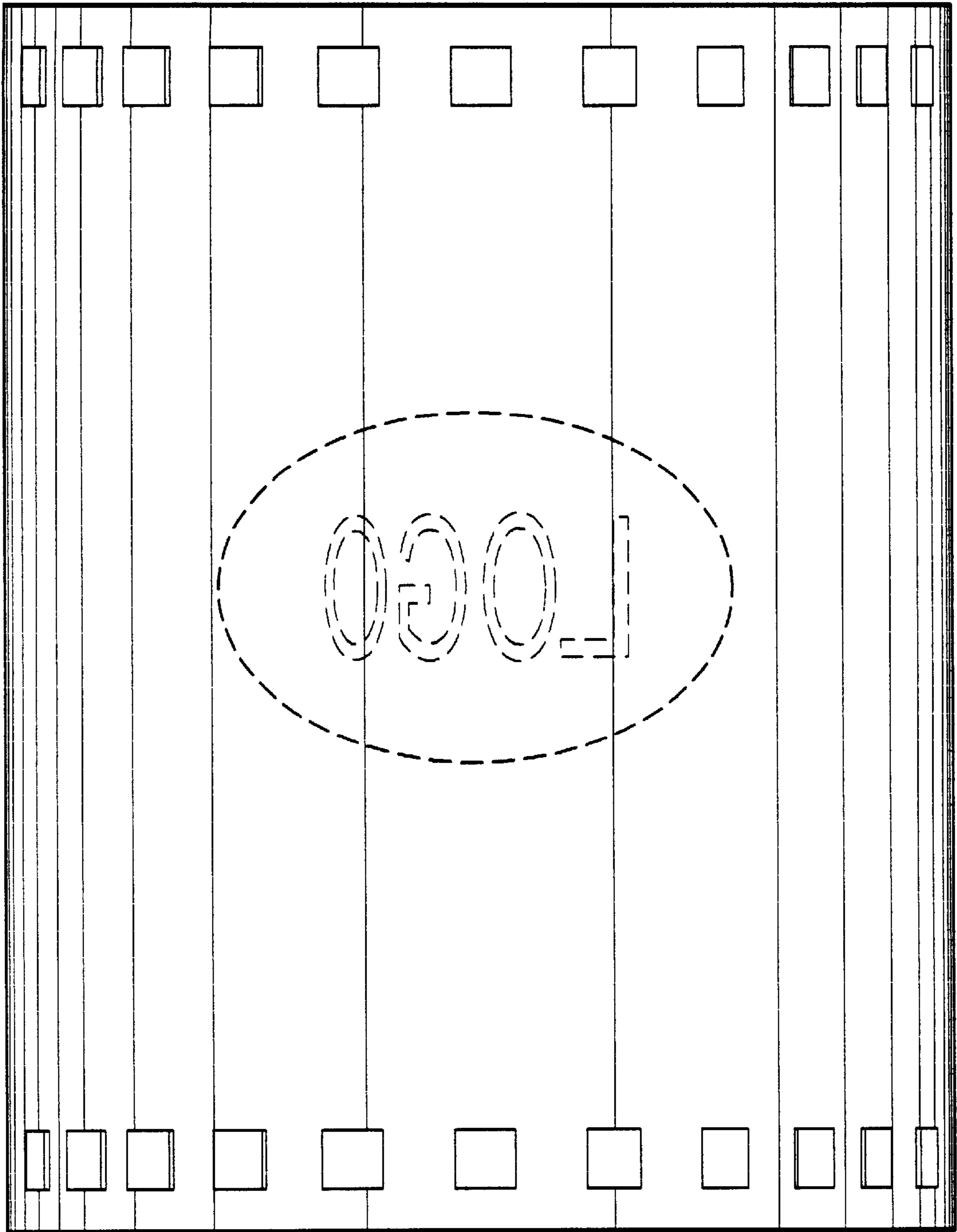


FIG. 4

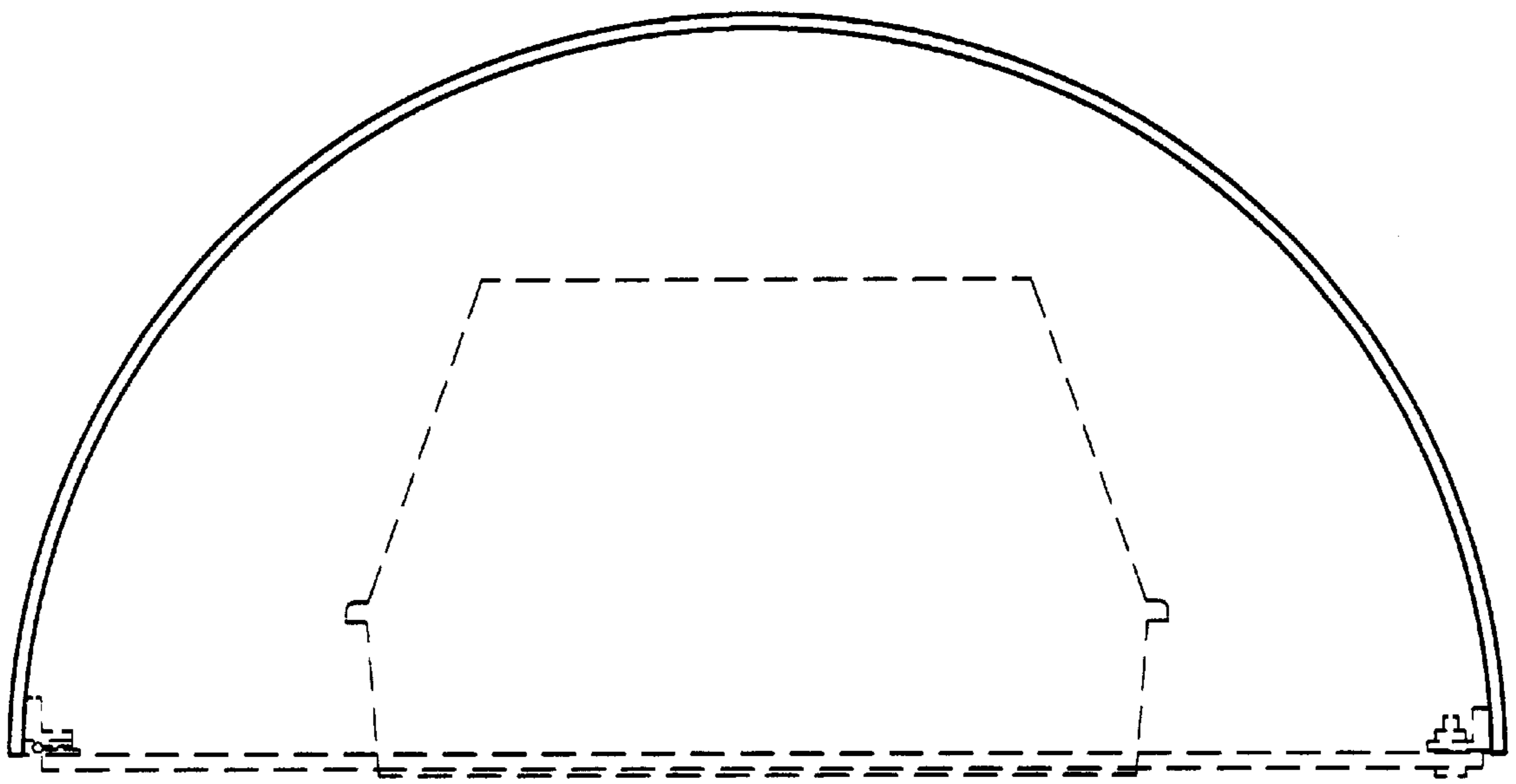


FIG. 5