



US00D452027B1

(12) **United States Design Patent**
Mashevsky

(10) **Patent No.:** **US D452,027 S**

(45) **Date of Patent:** **** Dec. 11, 2001**

(54) **RUNWAY LIGHT**

(75) **Inventor:** **Eduard Mashevsky**, Redondo Beach, CA (US)

(73) **Assignee:** **Honeywell International Inc.**, Morristown, NJ (US)

(**) **Term:** **14 Years**

(21) **Appl. No.:** **29/130,177**

(22) **Filed:** **Sep. 28, 2000**

(51) **LOC (7) Cl.** **26-07**

(52) **U.S. Cl.** **D26/63**

(58) **Field of Search** D26/60-66; D10/114;
362/269, 270, 275, 282, 283, 284, 285,
286, 287, 290, 427, 428, 429, 430

(56) **References Cited**

U.S. PATENT DOCUMENTS

- D. 322,862 * 12/1991 Miller D26/63
- D. 436,680 * 1/2001 Leen D26/65

* cited by examiner

Primary Examiner—Susan J. Lucas

(57) **CLAIM**

I claim the ornamental design for a runway light, as shown and described.

DESCRIPTION

FIG. 1 is a right side perspective view of an embodiment of the present invention;

FIG. 2 is a front elevation view of the embodiment shown in FIG. 1;

FIG. 3 is a rear elevation view of the embodiment shown in FIG. 1;

FIG. 4 is a top plan view of the embodiment shown in FIG. 1;

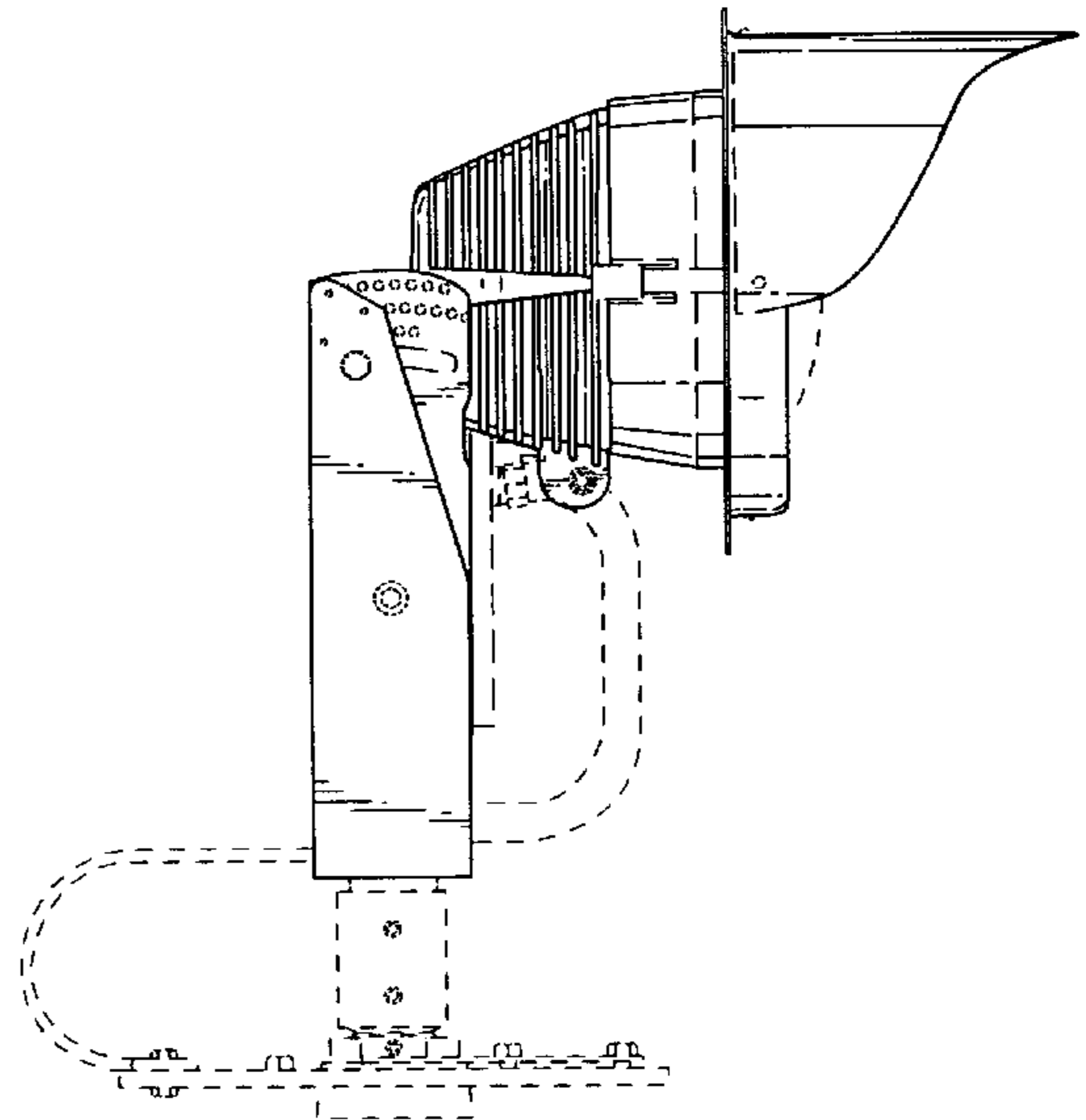
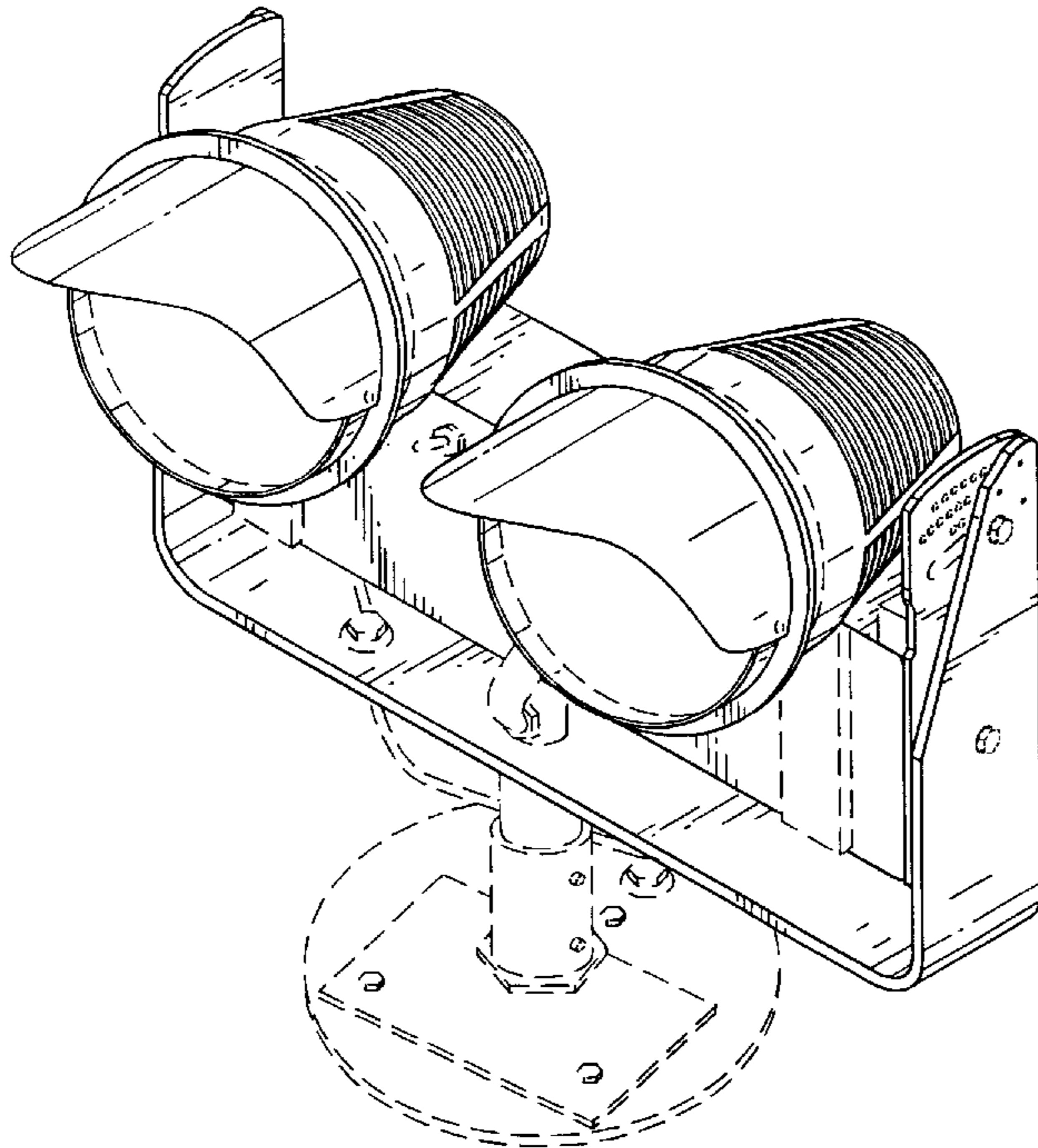
FIG. 5 is a bottom plan view of the embodiment shown in FIG. 1;

FIG. 6 is a right side plan view of the embodiment shown in FIG. 1; and,

FIG. 7 is a left side plan view of the embodiment shown in FIG. 1.

The broken lines are shown for illustrative purposes only and form no part of the claimed design.

1 Claim, 4 Drawing Sheets



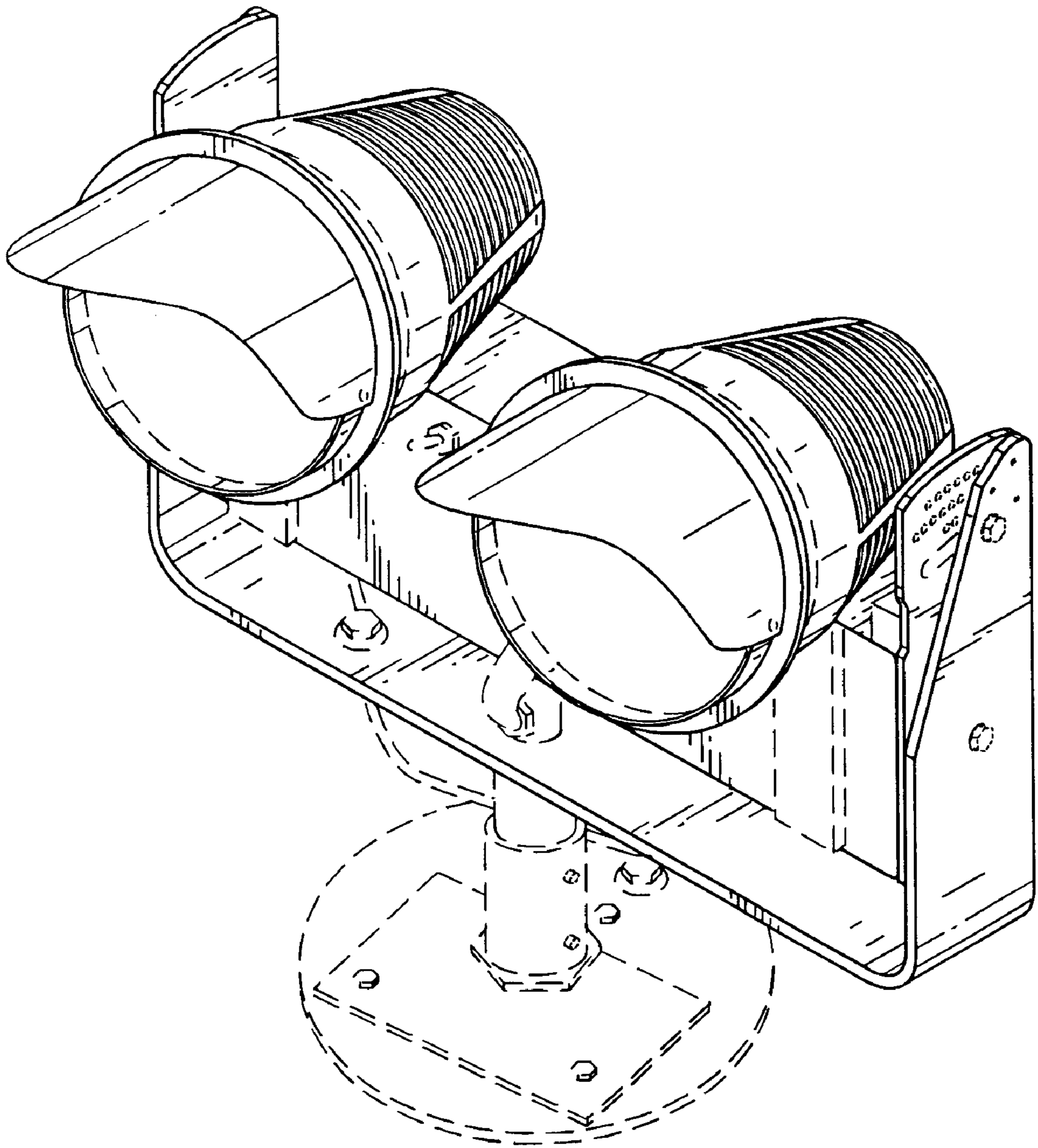


FIG. 1

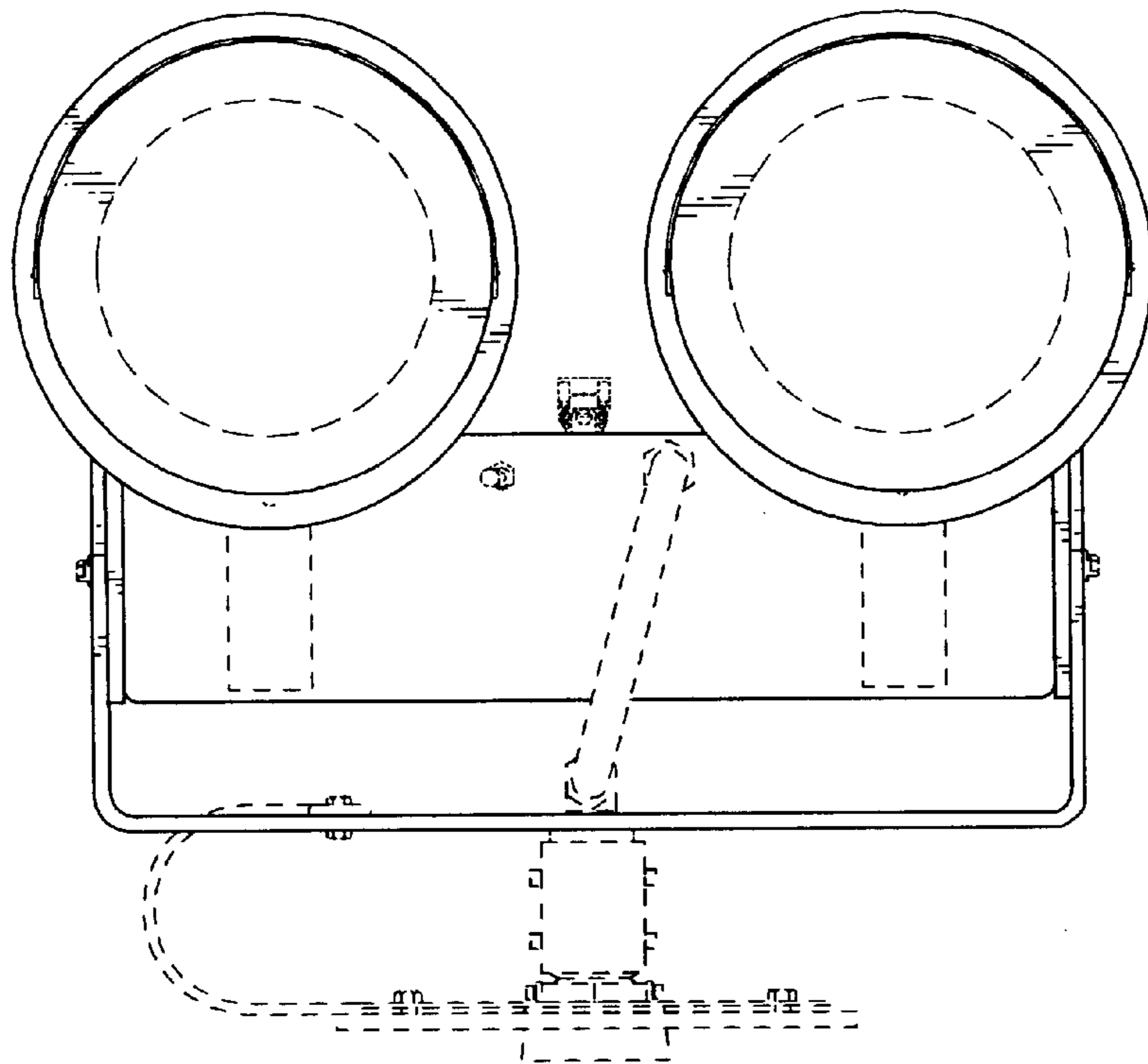


FIG. 2

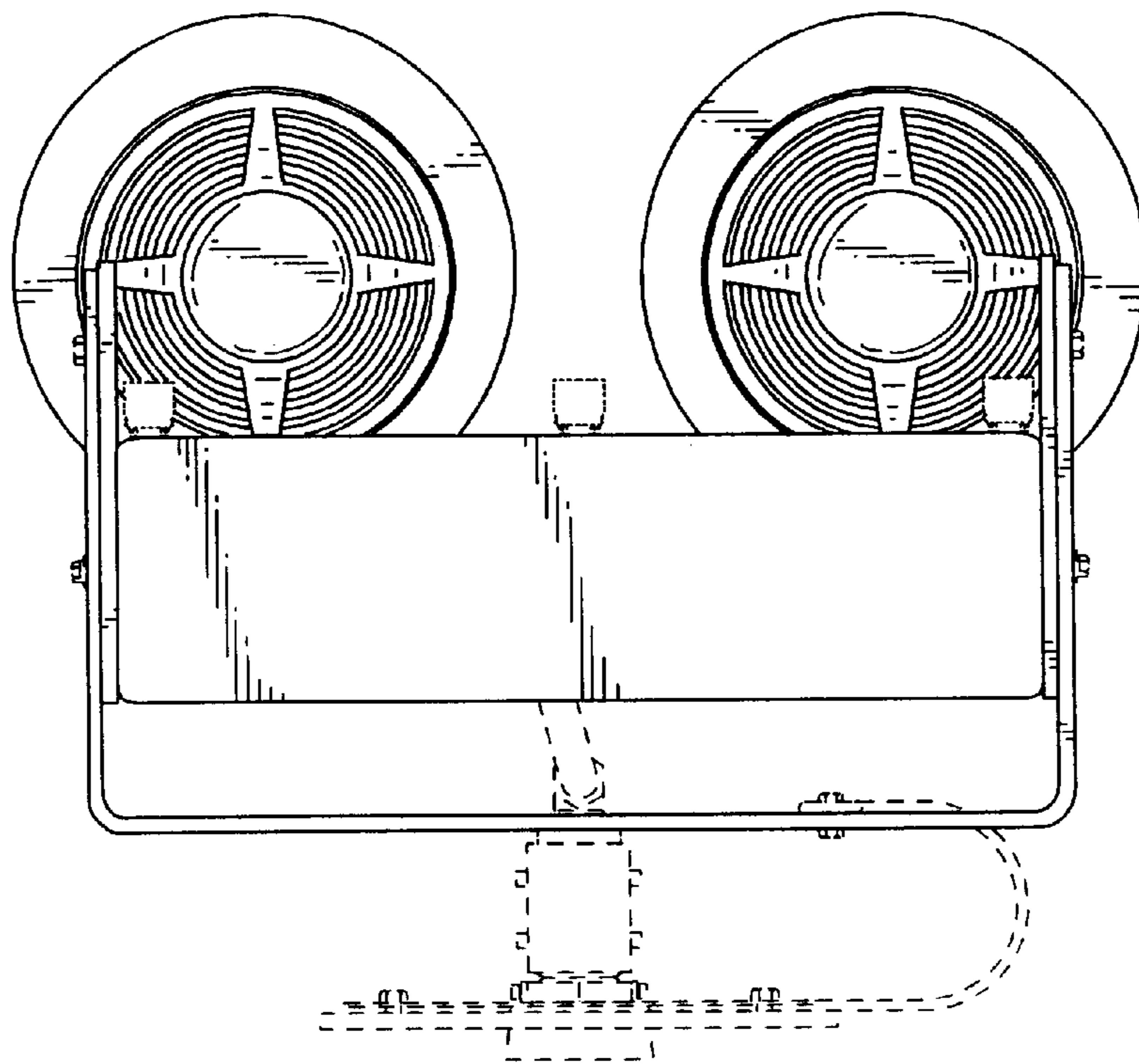


FIG. 3

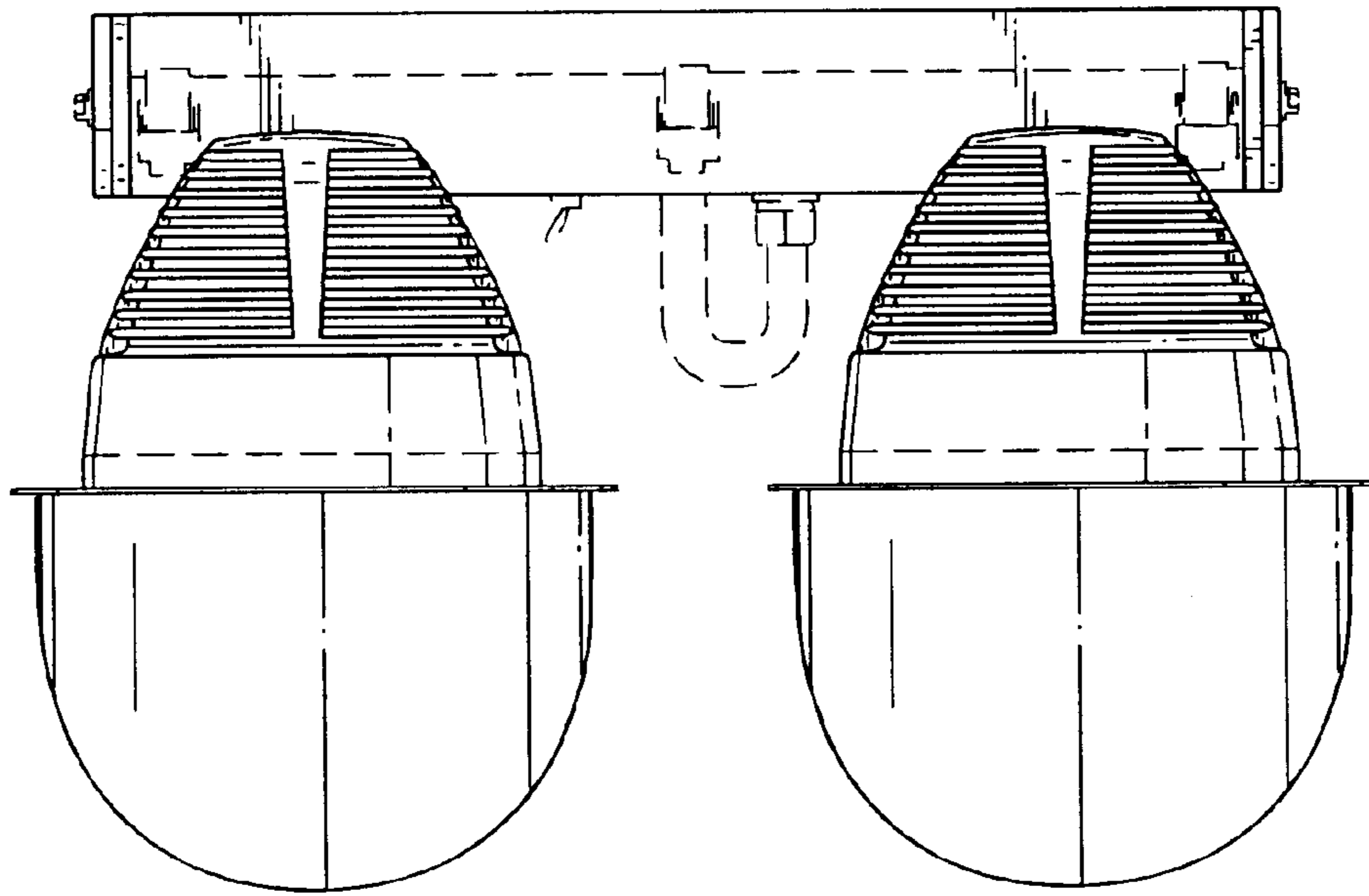


FIG. 4

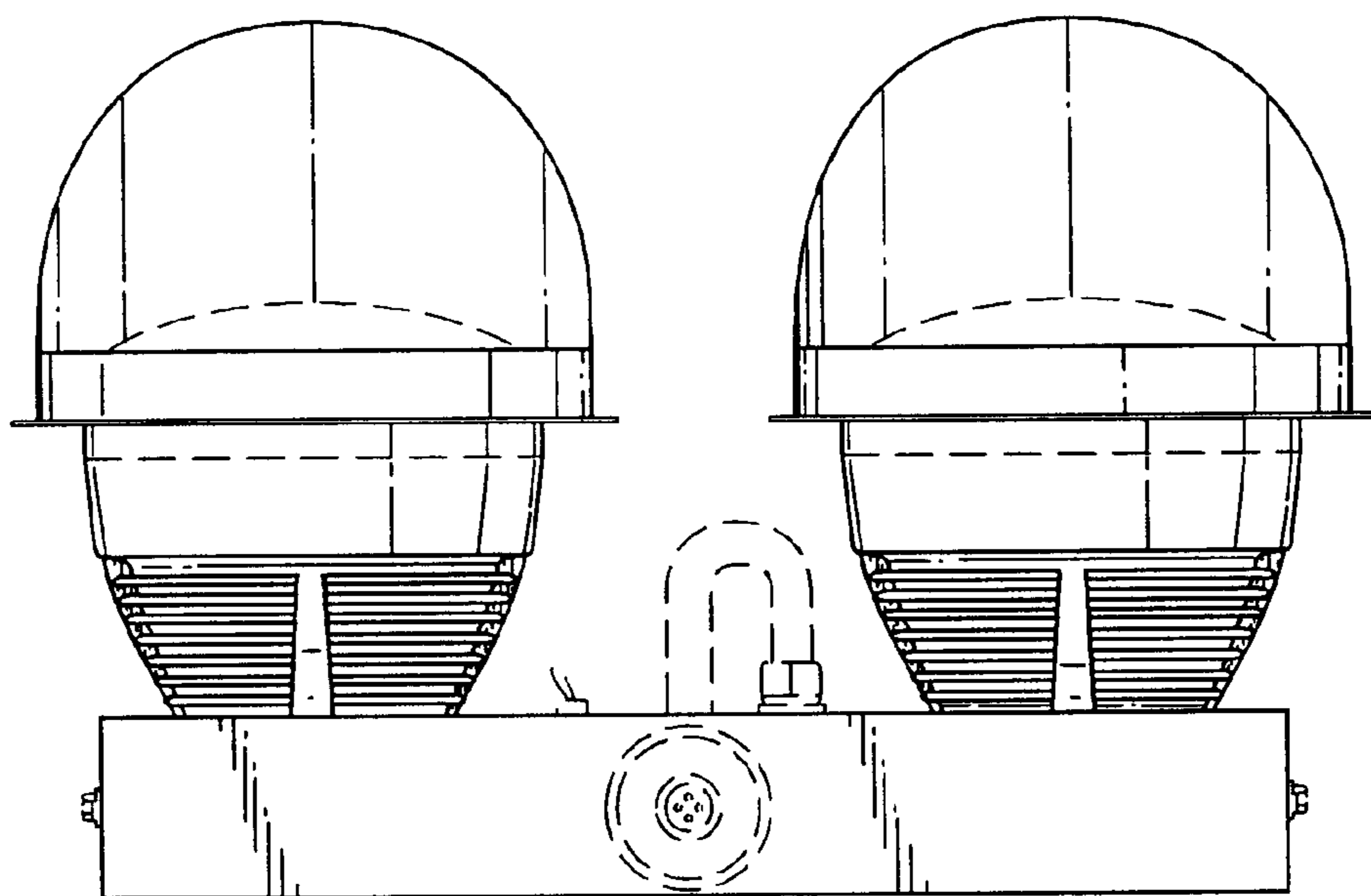


FIG. 5

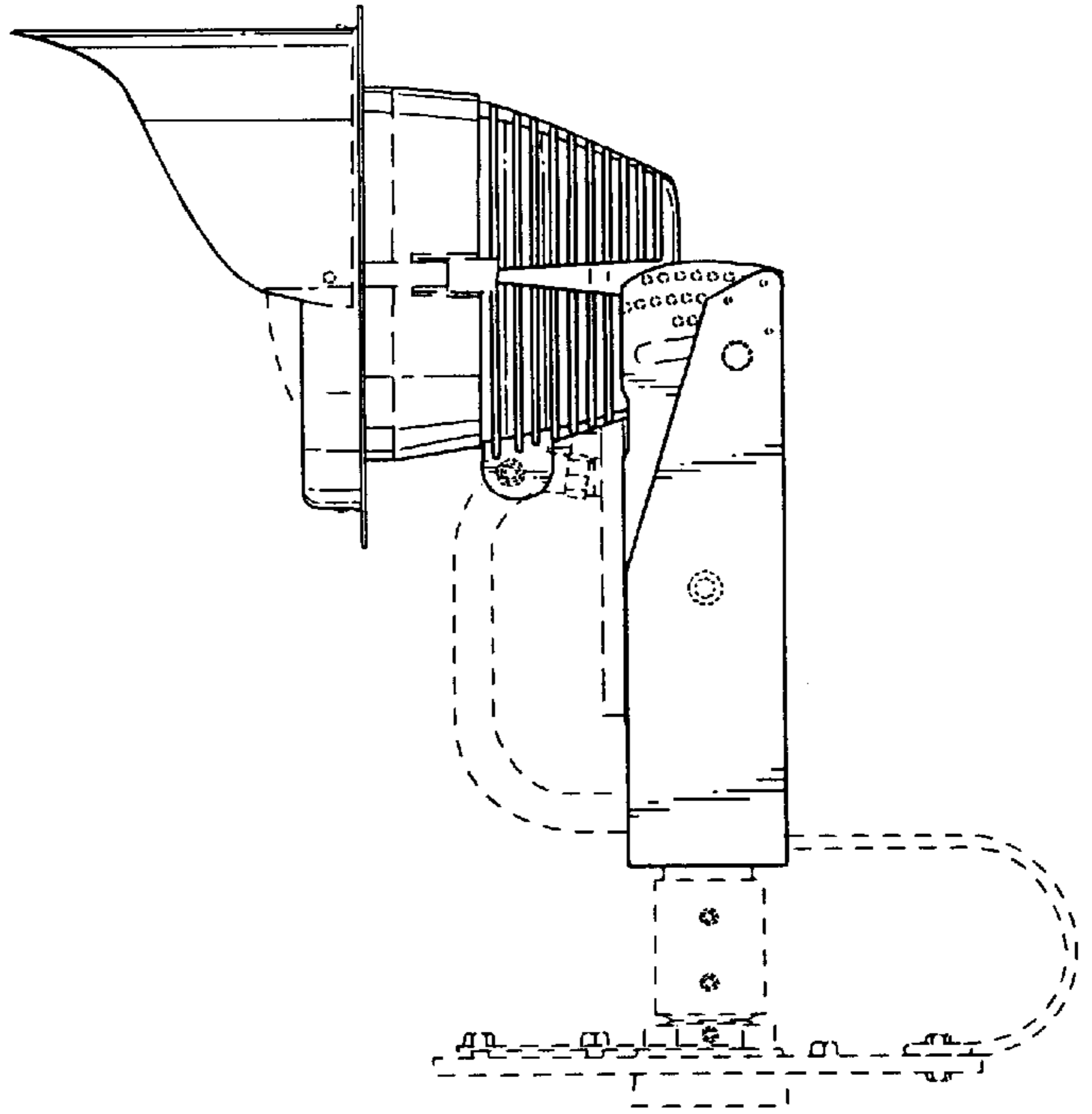


FIG. 6

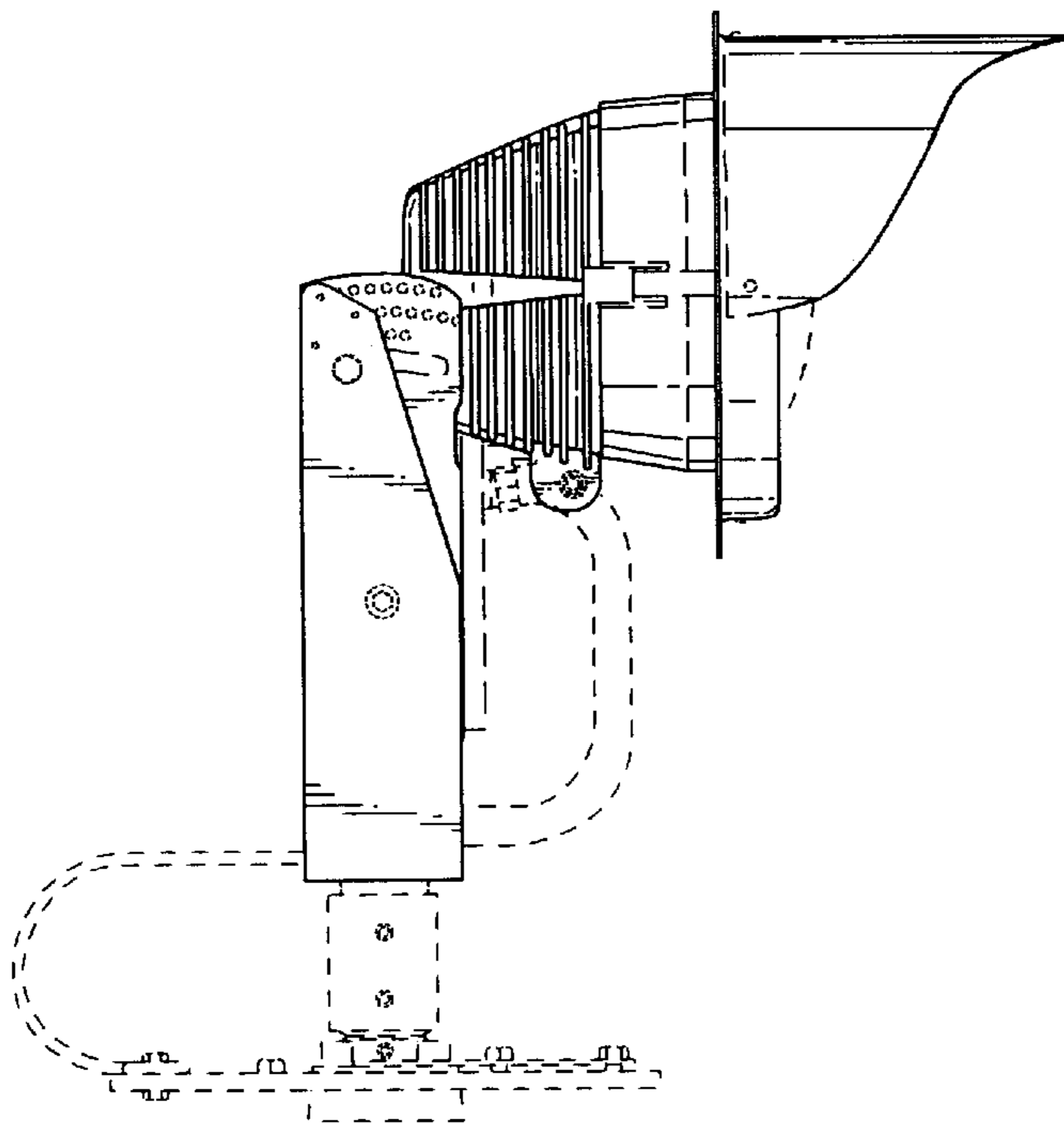


FIG. 7