



US00D452026B1

(12) **United States Design Patent**
Naghi et al.

(10) **Patent No.: US D452,026 S**

(45) **Date of Patent: ** Dec. 11, 2001**

(54) **LIGHT ATTACHMENT FOR PORTABLE ELECTRONIC OR COMPUTING DEVICE**

(75) Inventors: **David Naghi; Herschel Naghi**, both of Los Angeles, CA (US)

(73) Assignee: **Technology Creations, Inc.**, Los Angeles, CA (US)

(**) Term: **14 Years**

(21) Appl. No.: **29/137,318**

(22) Filed: **Feb. 15, 2001**

(51) **LOC (7) Cl. 26-05**

(52) **U.S. Cl. D26/60**

(58) **Field of Search** D26/60-66, 37-50;
362/269, 270, 275, 277, 278, 281, 283,
284, 285, 287, 289, 400, 401, 402, 427,
428, 33

(56) **References Cited**

U.S. PATENT DOCUMENTS

D. 238,959	2/1976	Kurokawa et al.	D48/20 F
D. 251,687	4/1979	Kurokawa	D48/20 F
D. 303,847	* 10/1989	Evenson	D26/63
D. 377,840	2/1997	Chang	D26/62
D. 418,240	12/1999	Sherman	D26/63
D. 435,679	12/2000	Naghi et al.	D26/103
1,651,307	11/1927	Wilkinson .	
3,065,339	11/1962	Fahey, Jr. et al.	240/25
4,312,507	1/1982	Smith et al.	273/237
5,091,832	2/1992	Tortola et al.	362/109
5,122,937	6/1992	Stoudemire	362/109
5,122,941	6/1992	Gross et al.	362/276
5,136,477	8/1992	Lemmey	362/198
5,172,974	12/1992	Riban	362/109
5,183,325	2/1993	Hurdle	362/109
5,203,622	4/1993	Sottile	362/109
5,379,201	1/1995	Friedman	362/191
5,486,986	1/1996	Brada	362/85
5,590,950	1/1997	Hildebrand	362/109
5,615,945	4/1997	Tseng	362/226
5,707,137	1/1998	Hon	362/183
5,803,572	9/1998	Brada	362/23
5,868,487	2/1999	Polley et al.	362/33
5,899,553	5/1999	Howell	362/84

FOREIGN PATENT DOCUMENTS

2 113 818 A 12/1981 (GB) .
WO 92/06327 4/1992 (WO) .

OTHER PUBLICATIONS

Amazon.com product web page printout for "Adventure Book Light and Flashlight" by Lumatec; <http://www.amazon.com/exec/obidos/ASIN/b00000IJZM/104-9549104-0986847>; printed Mar. 2, 2000.

Book light product internet web page printout; http://store1.yimg.com/I/parksherman_1550_902141; printed Mar. 2, 2000.

"Designed Halogen Lamps With Multiple Features," *Taiwan Lighting*, Feb. 1997, p. 69.

Igo.com product web page printout for "NBL-100 Notebook Light" by Interex; <http://www.igo.com/cgi-bin/ncommerce3/ProductDisplay?prmenbr=1&prfnbr=522530>; printed Jul. 21, 2000.

Sierra Gold Marketing "SGM28367" Clip On Light product web page printout; <http://www.sgm.simplenet.com/boutique/special/sgm28367.htm>; printed Mar. 2, 2000.

"The Ittybitty Book Light" internet web page printout; <http://www.zelco.com/10013.jpg>; printed Mar. 2, 2000.

"Ultimate Palmtop Computer Lights®" internet web page printout; <http://www.std.com/sfl/3.pct.html>; printed Mar. 2, 2000.

* cited by examiner

Primary Examiner—Susan J. Lucas

(74) *Attorney, Agent, or Firm*—Lyon & Lyon LLP

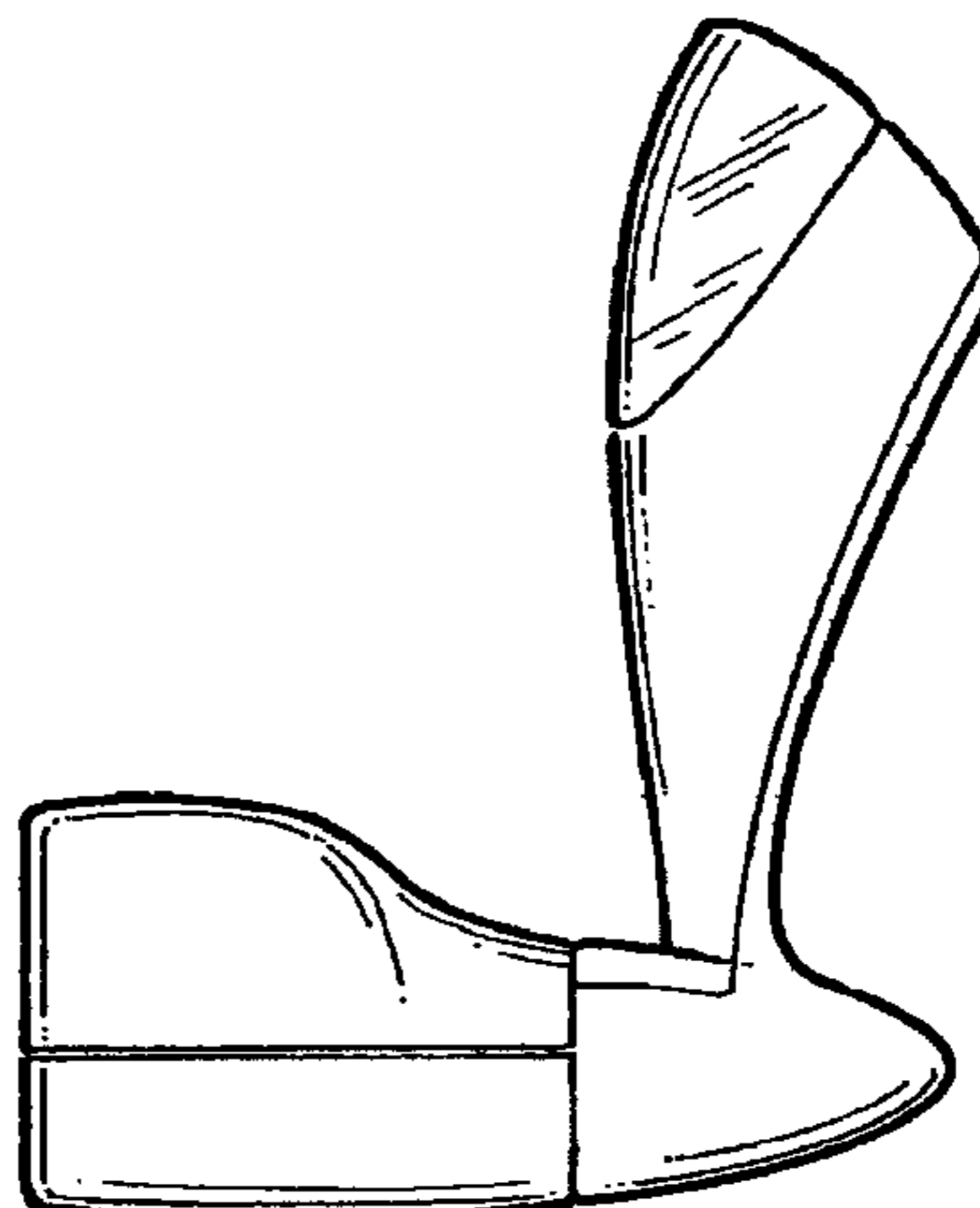
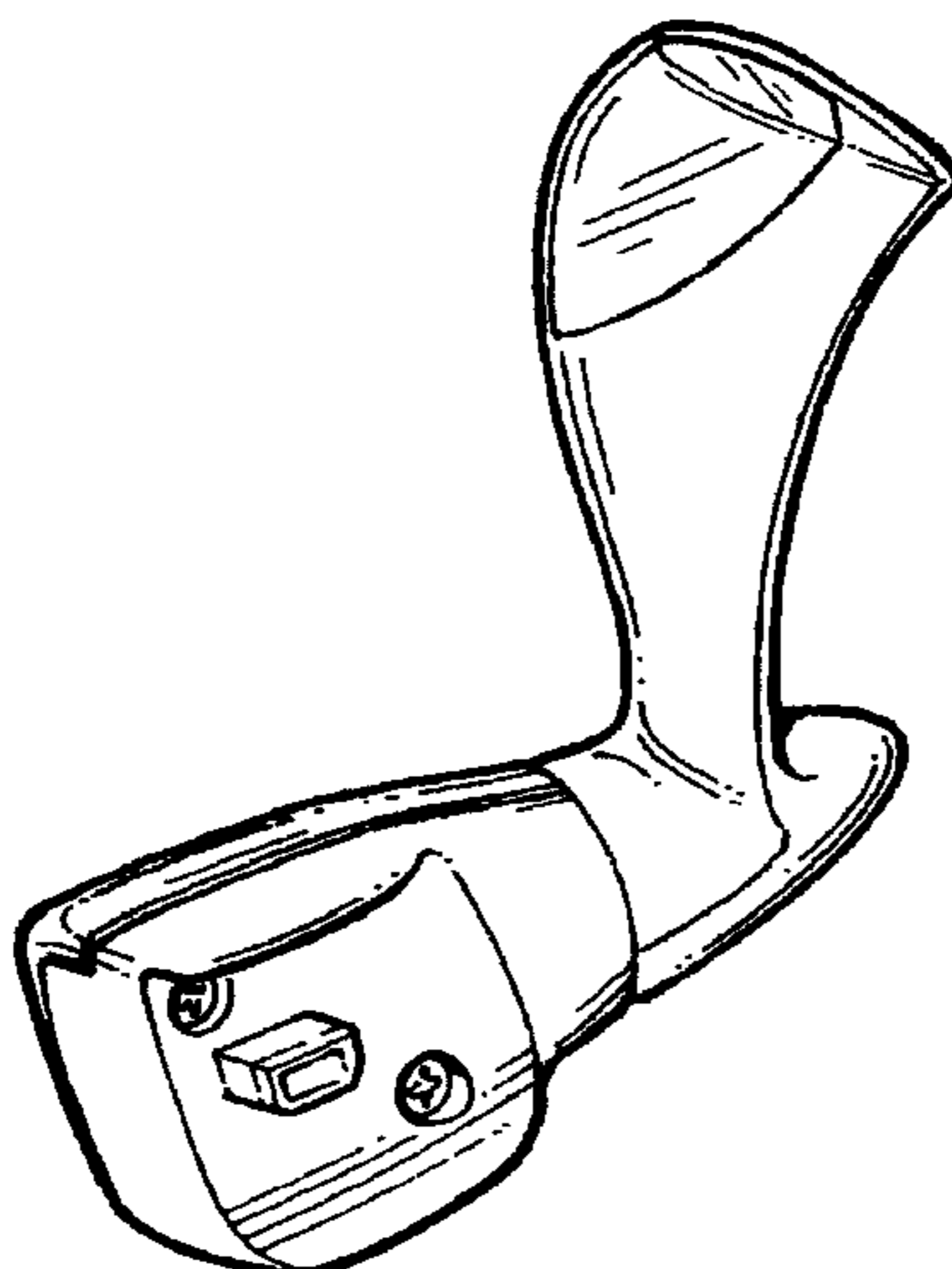
(57) **CLAIM**

The ornamental design for a light attachment for portable electronic or computing device, as shown and described.

DESCRIPTION

FIG. 1 is a right perspective view of the light attachment for a portable electronic or computing device;
FIG. 2 is a front elevation view thereof;
FIG. 3 is a left side elevational view thereof;
FIG. 4 is a bottom plan view thereof;
FIG. 5 is a rear elevation view thereof;
FIG. 6 is a top plan view thereof; and,
FIG. 7 is a right side elevational view thereof.

1 Claim, 2 Drawing Sheets



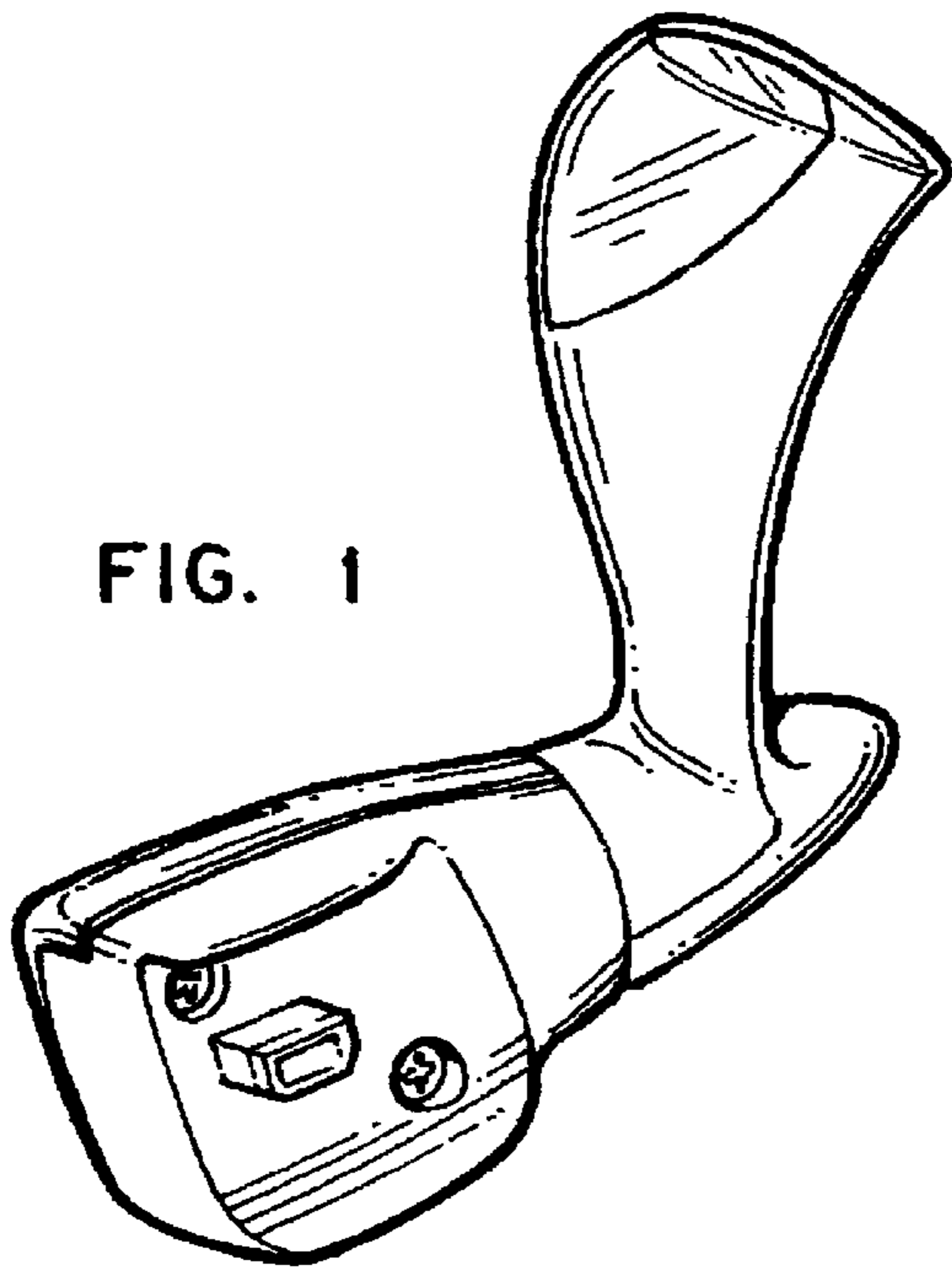


FIG. 1

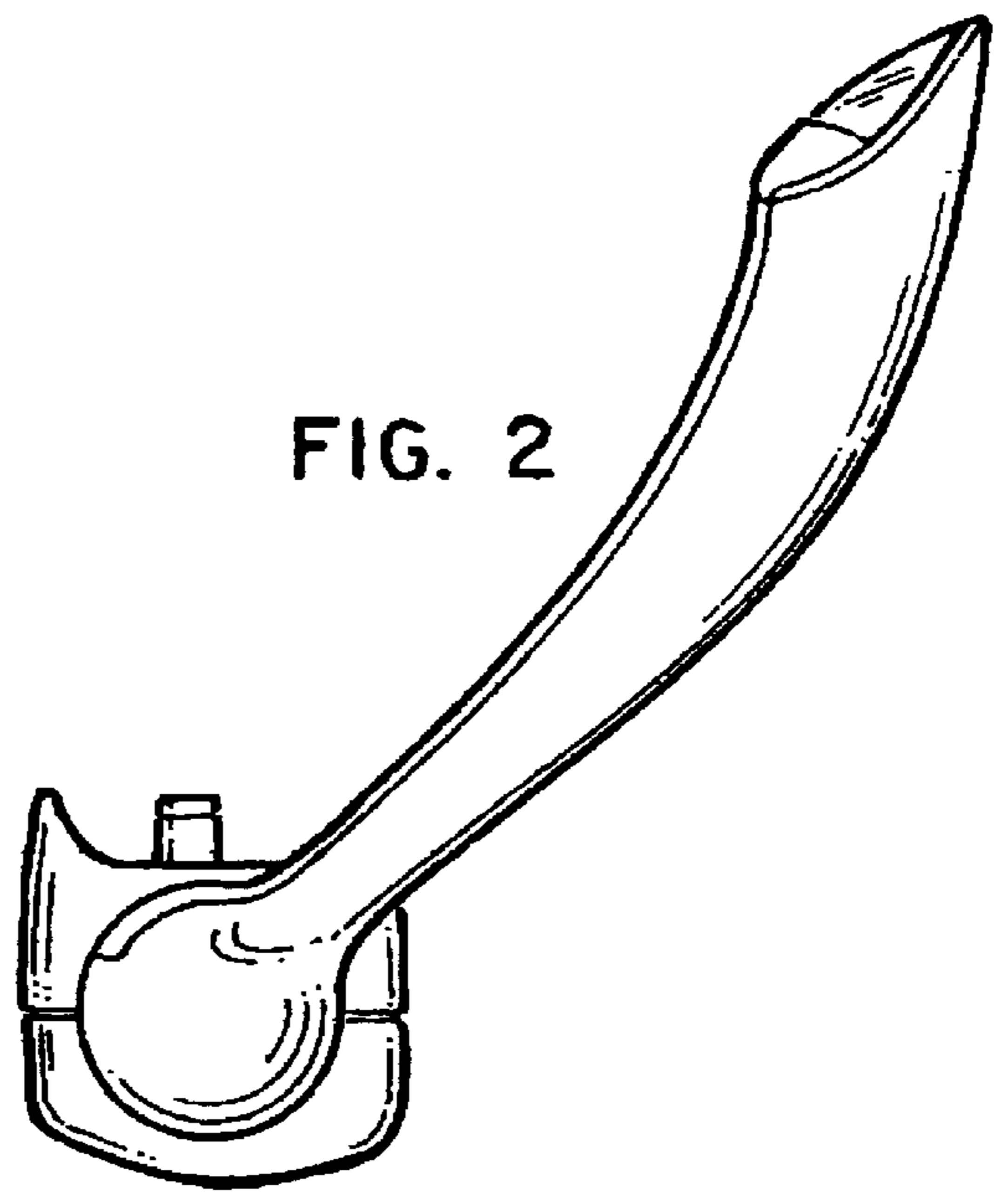


FIG. 2

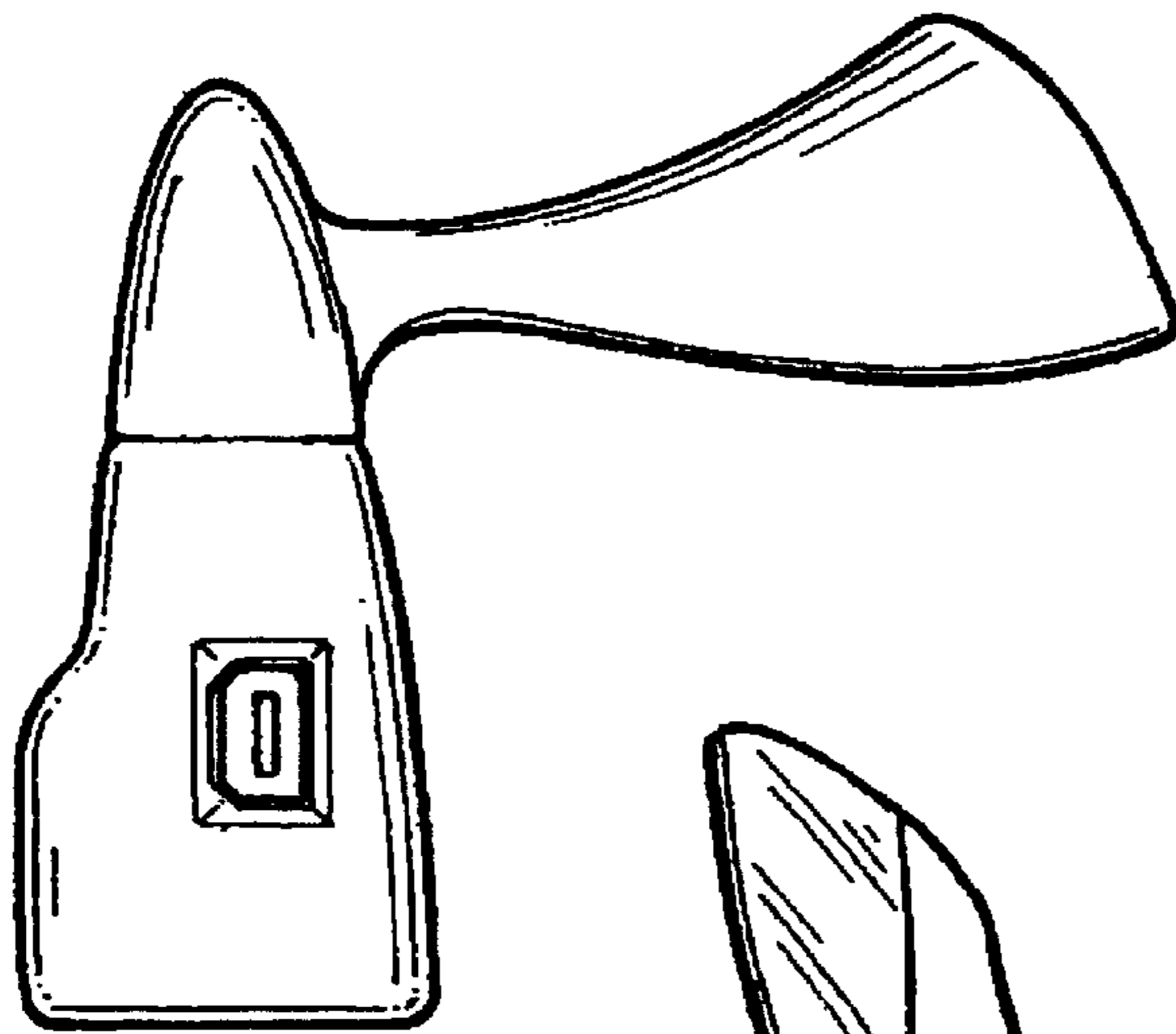


FIG. 3

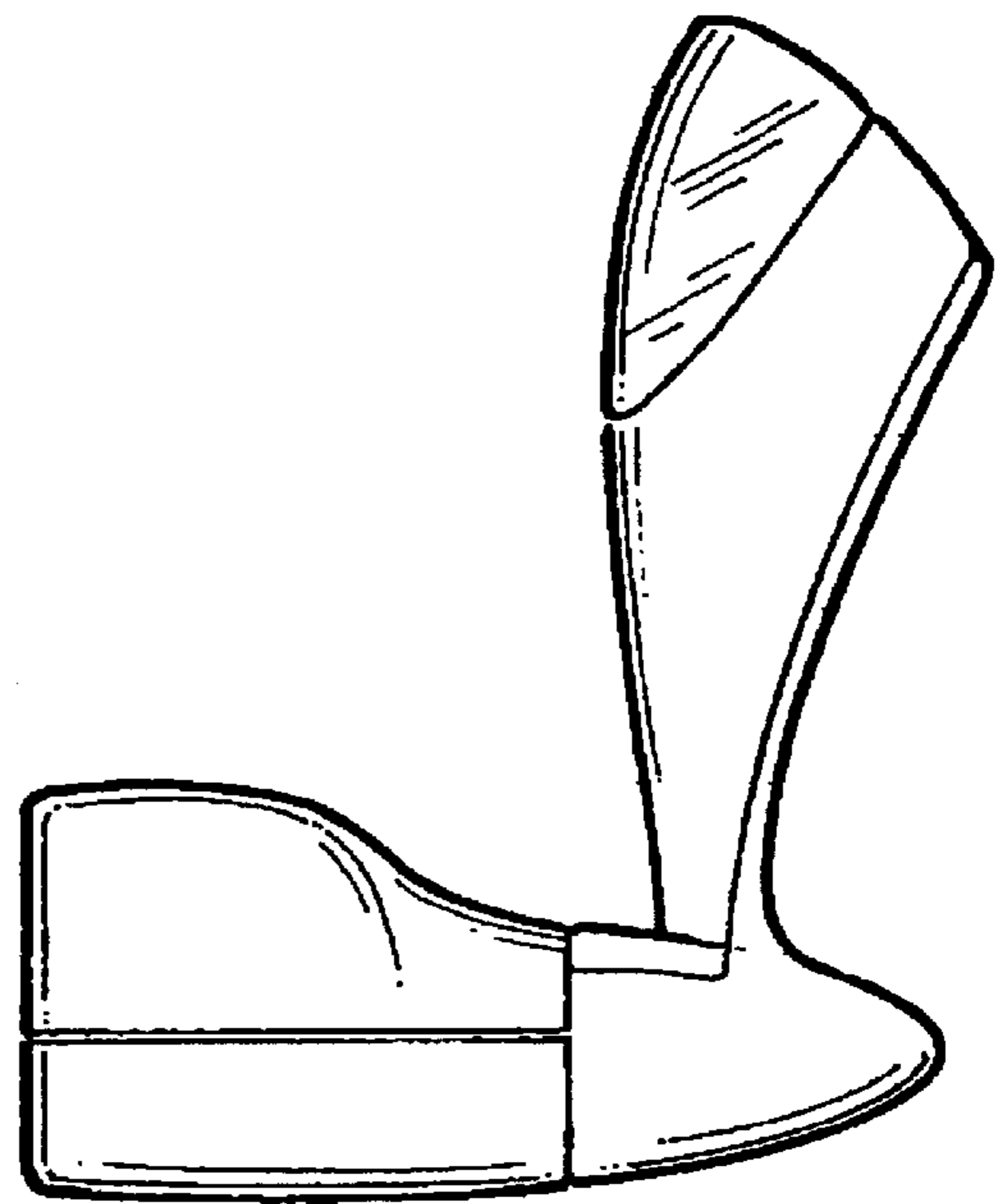


FIG. 4

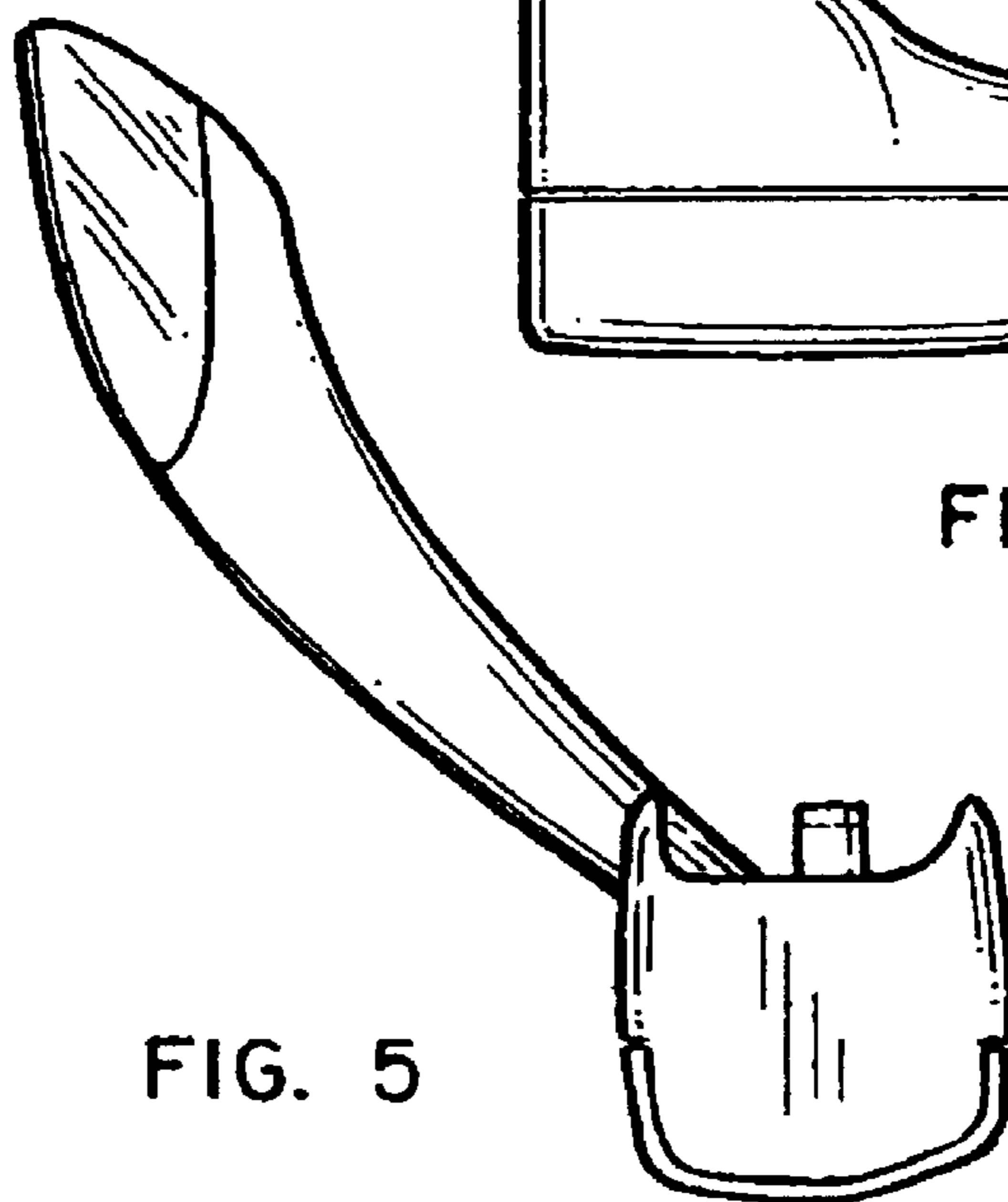


FIG. 5

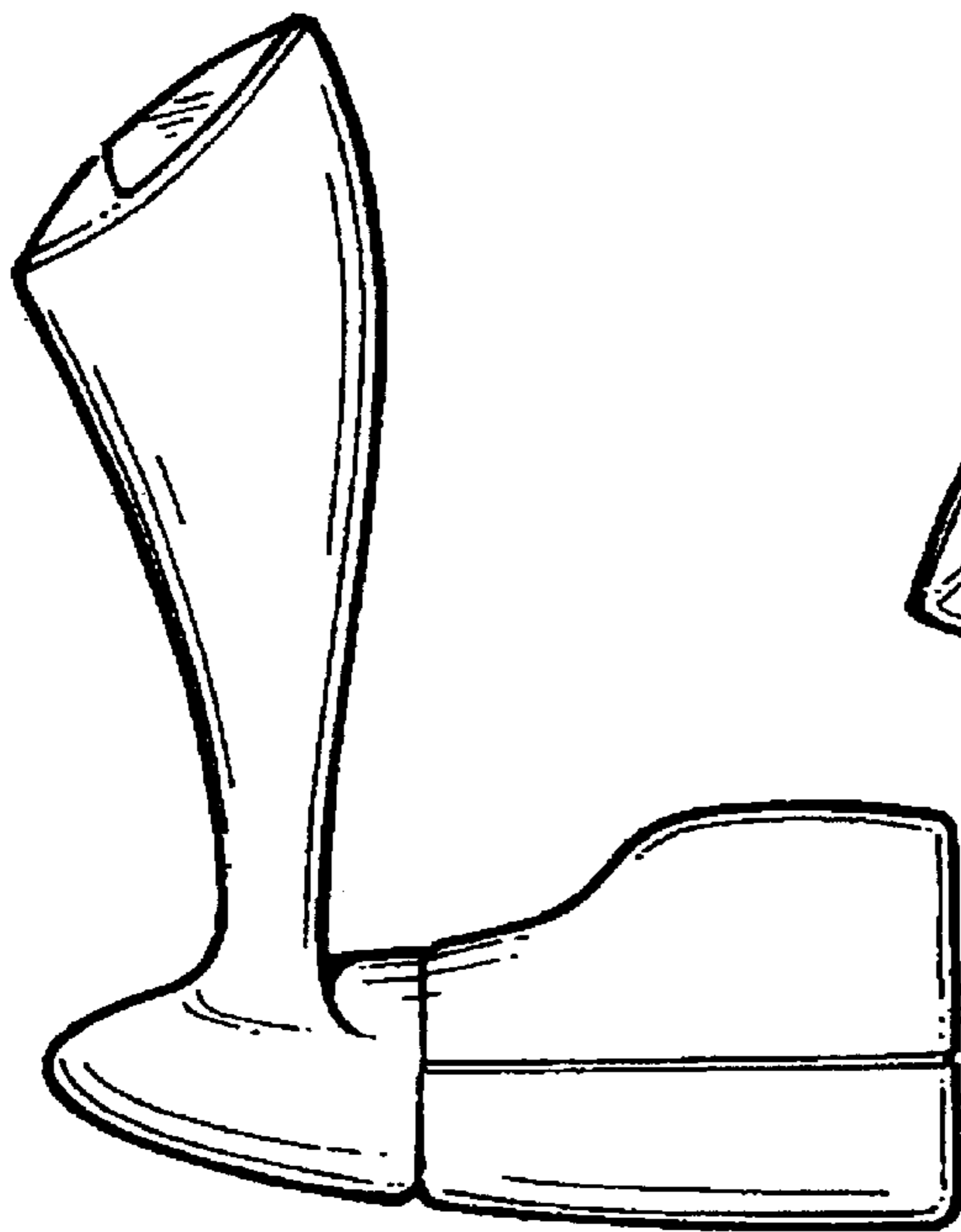


FIG. 6

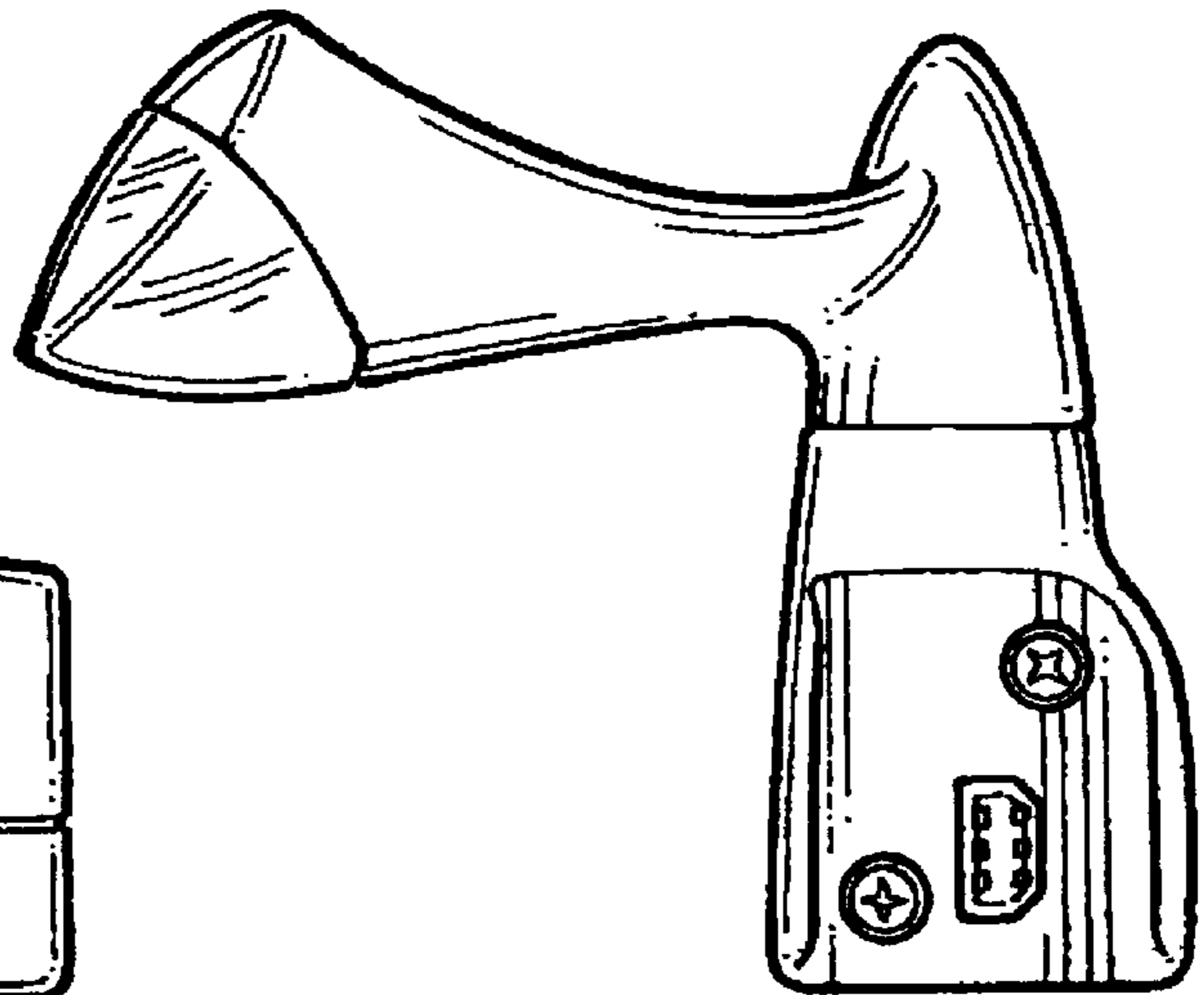


FIG. 7