



US00D452025B1

(12) **United States Design Patent**  
**Poon**

(10) **Patent No.:** **US D452,025 S**

(45) **Date of Patent:** **\*\* Dec. 11, 2001**

(54) **FLASHLIGHT**

(75) **Inventor:** **Tit Wing Poon, Shatin (CN)**

(73) **Assignee:** **Flying Dragon Development Ltd.,  
Shatin (CN)**

(\*\*) **Term:** **14 Years**

(21) **Appl. No.:** **29/140,201**

(22) **Filed:** **Apr. 13, 2001**

(30) **Foreign Application Priority Data**

Oct. 20, 2000 (HK) ..... 0011520

(51) **LOC (7) Cl.** ..... **26-02**

(52) **U.S. Cl.** ..... **D26/49**

(58) **Field of Search** ..... D26/37-50; 362/157,  
362/162, 171, 178, 187, 188, 189, 190,  
191, 194, 195, 196, 197, 198, 199, 200,  
201, 202, 203, 204, 205, 206

(56) **References Cited**

**U.S. PATENT DOCUMENTS**

D. 428,505 \* 7/2000 Man ..... D26/48

D. 433,171 \* 10/2000 Petterson et al. .... D26/49  
D. 443,707 \* 6/2001 Poon ..... D26/41  
D. 444,582 \* 7/2001 Poon ..... D26/44

\* cited by examiner

*Primary Examiner*—Susan J. Lucas

(74) *Attorney, Agent, or Firm*—Alix, Yale & Ristas, LLP

(57) **CLAIM**

The ornamental design for a flashlight, as shown and described.

**DESCRIPTION**

FIG. 1 is a front perspective view of the flashlight showing my new design;

FIG. 2 is a front view of the flashlight of FIG. 1;

FIG. 3 is a right side view of the flashlight of FIG. 1;

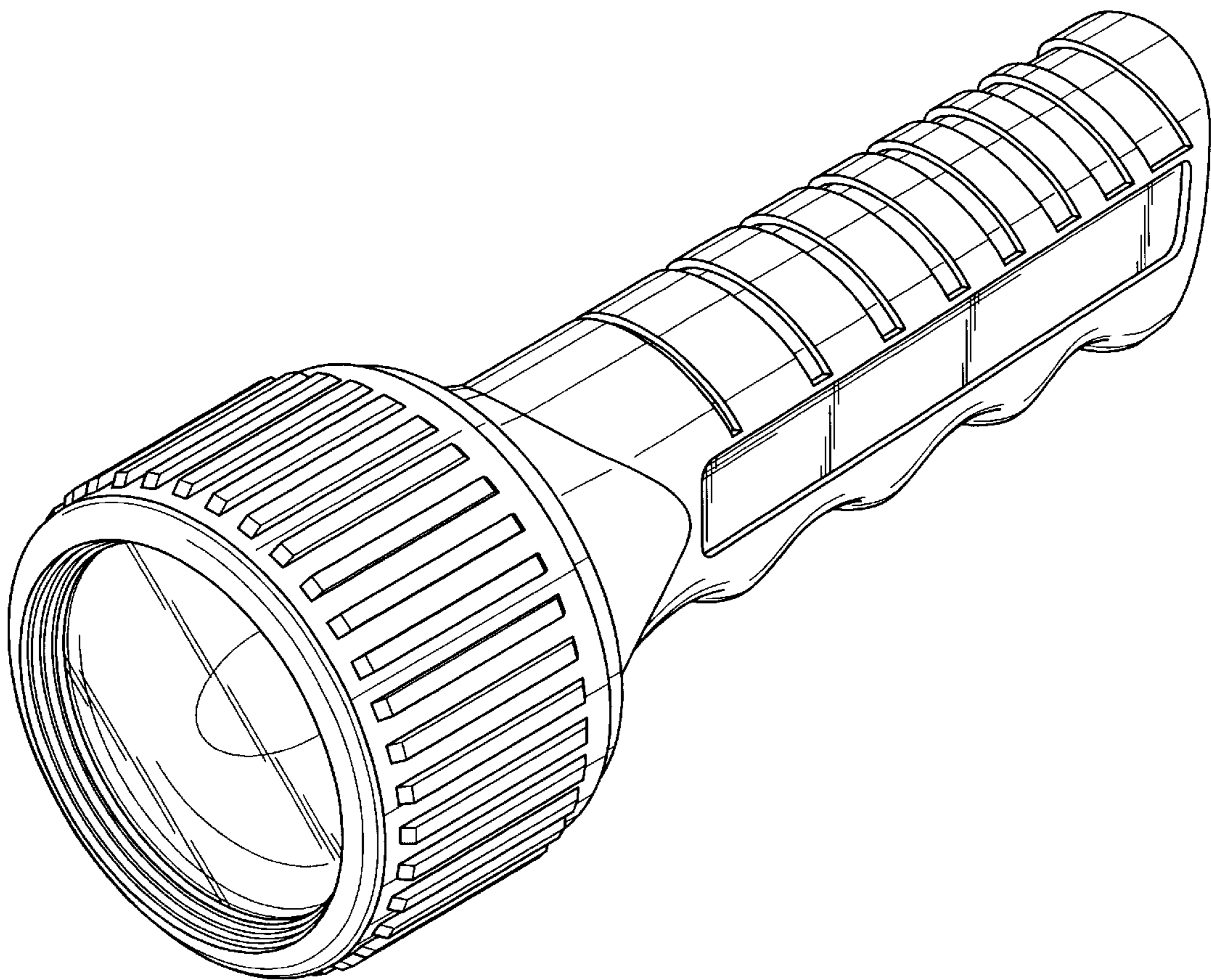
FIG. 4 is a left side view of the flashlight of FIG. 1;

FIG. 5 is a rear view of the flashlight of FIG. 1;

FIG. 6 is a top plan view of the flashlight of FIG. 1; and,

FIG. 7 is a bottom plan view of the flashlight of FIG. 1.

**1 Claim, 4 Drawing Sheets**



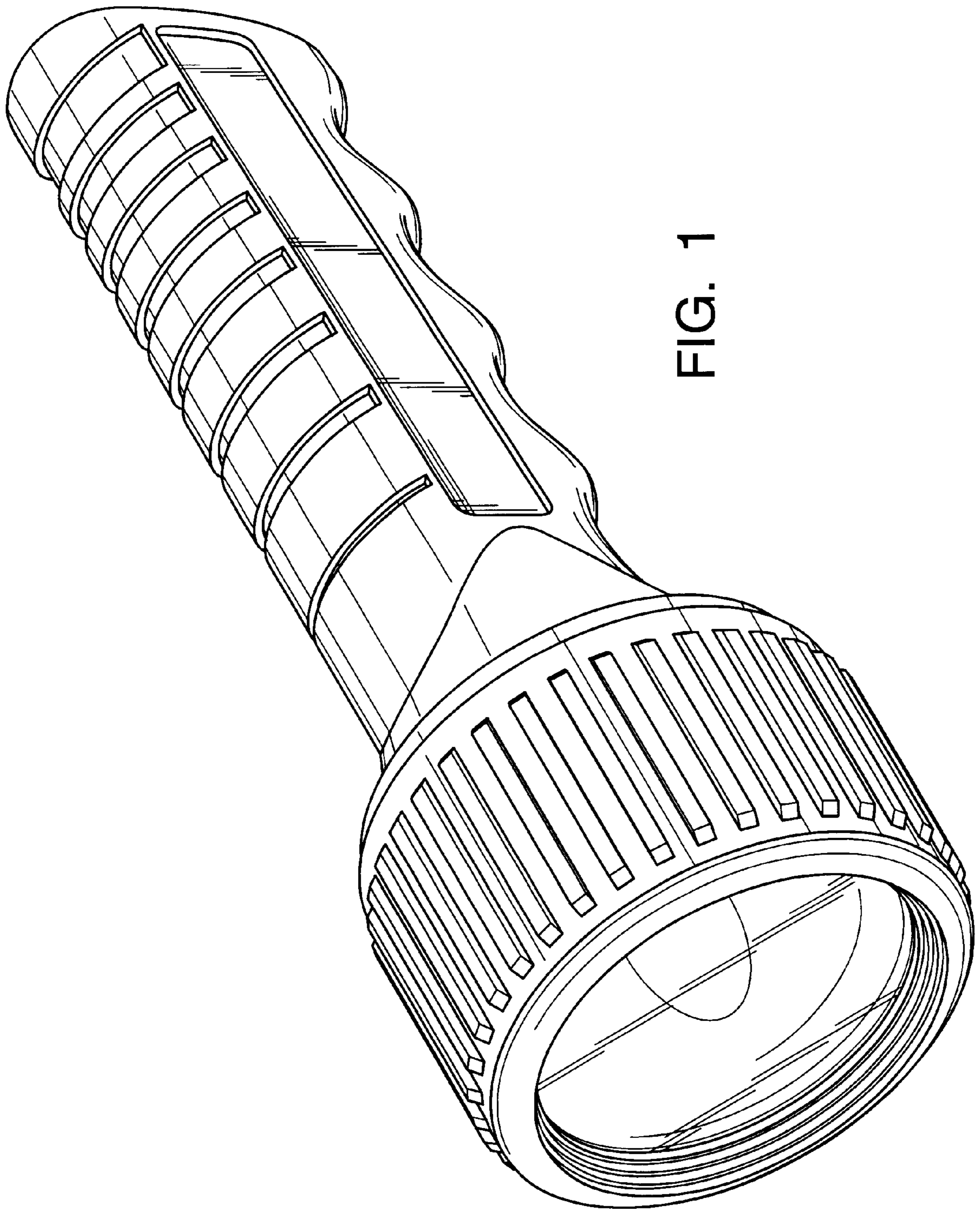


FIG. 1

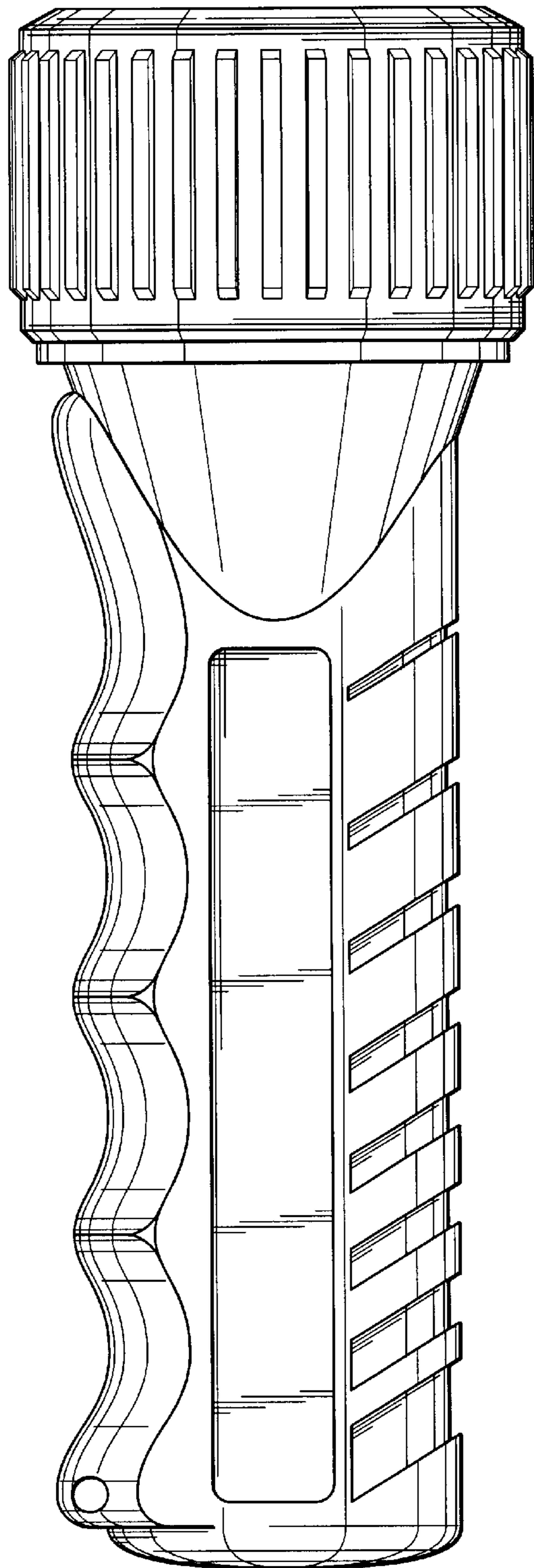


FIG. 2

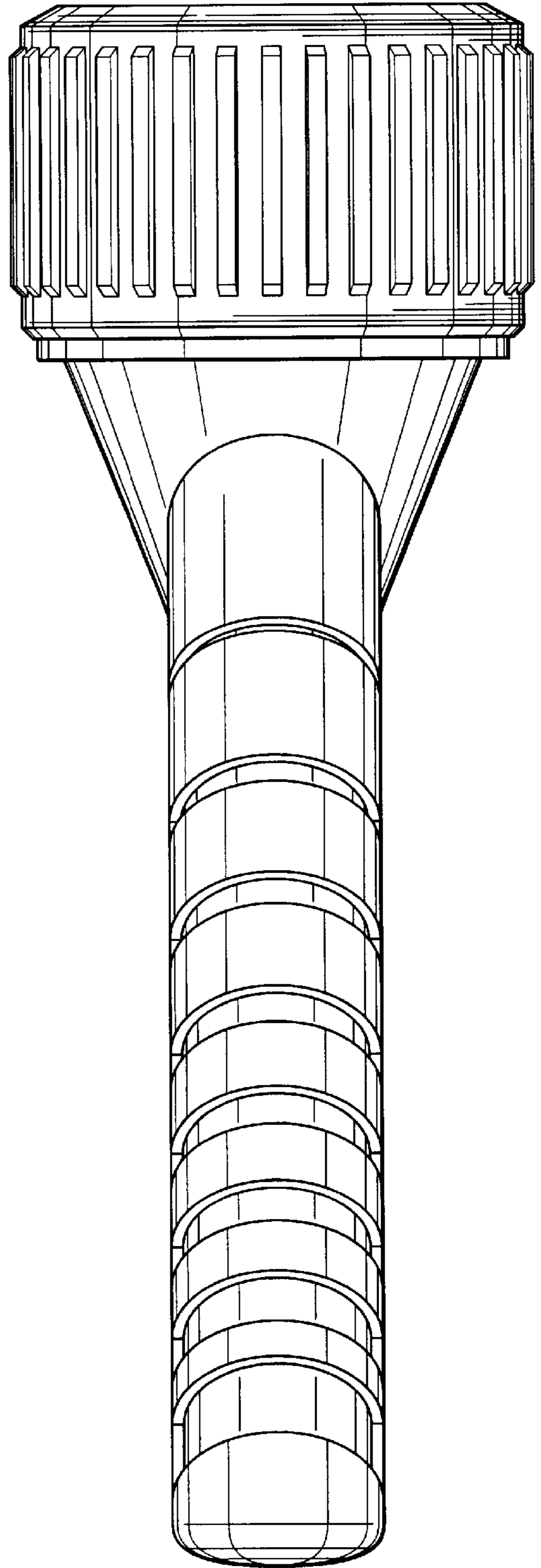


FIG. 3

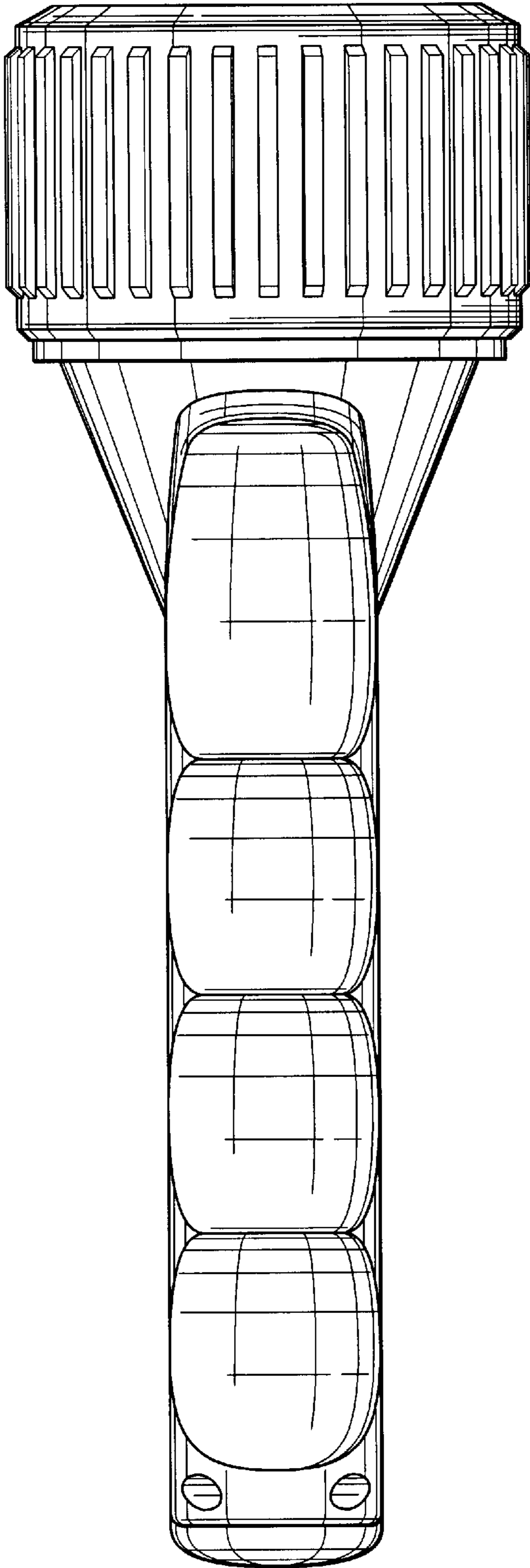


FIG. 4

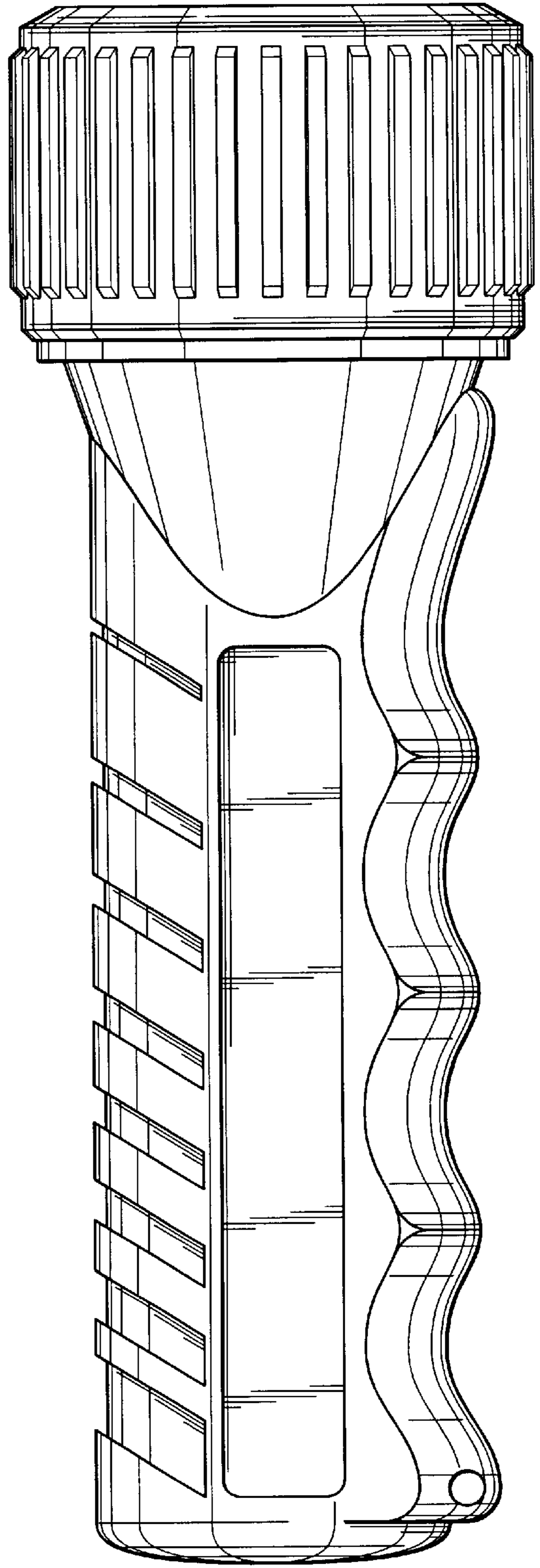


FIG. 5

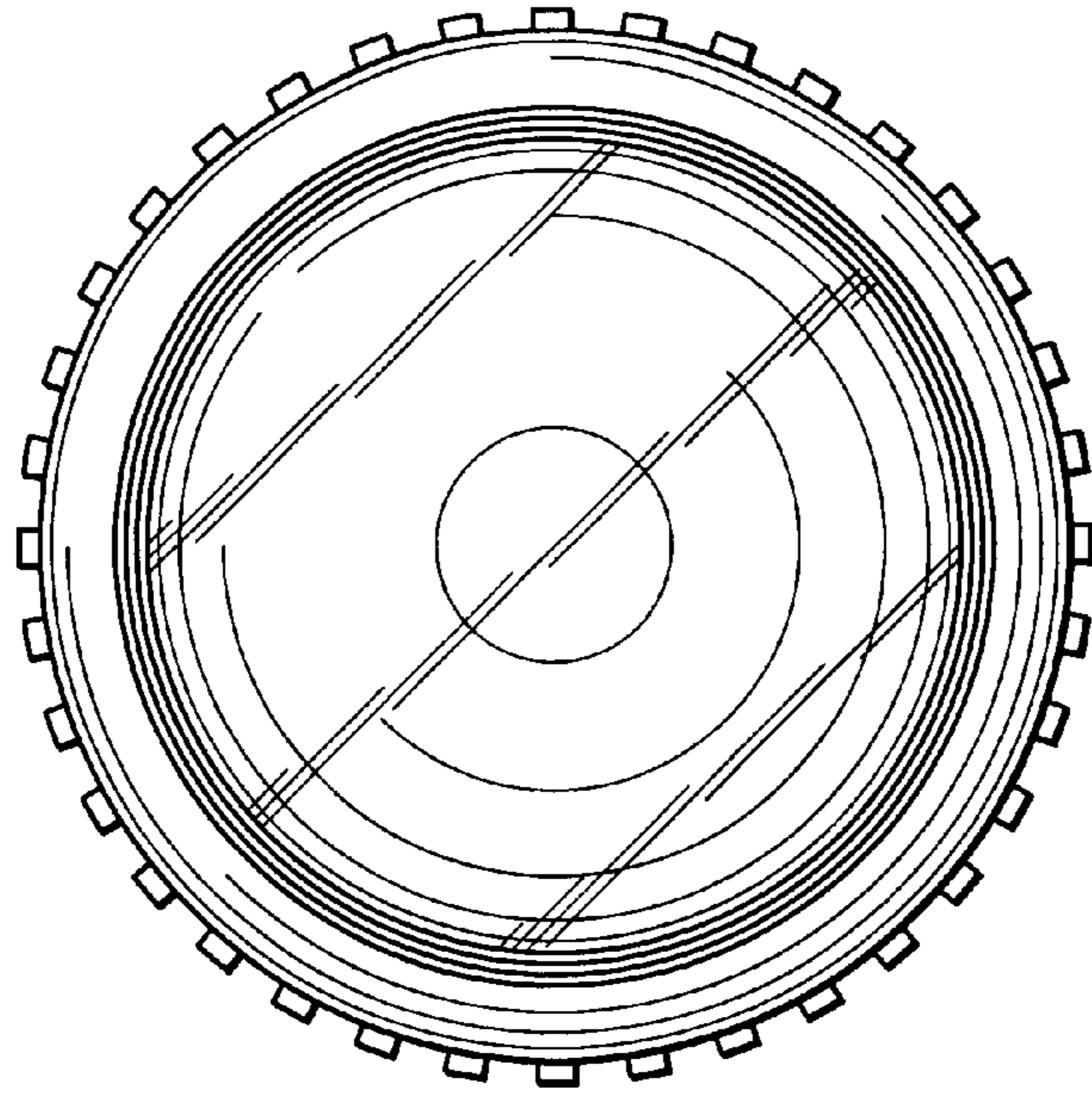


FIG. 6

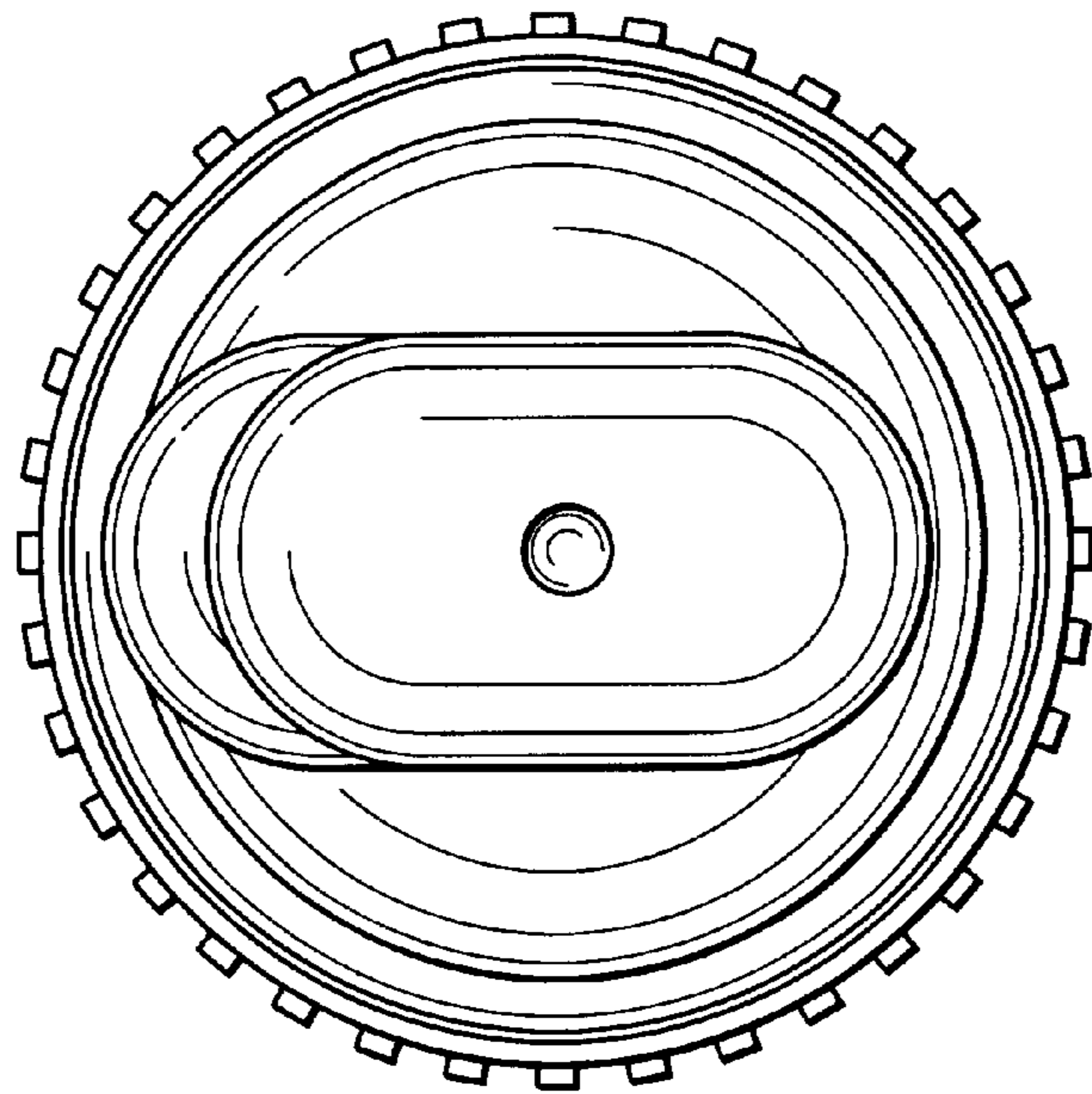


FIG. 7