



US00D452023B1

(12) **United States Design Patent**
Poon

(10) **Patent No.:** **US D452,023 S**

(45) **Date of Patent:** **** Dec. 11, 2001**

(54) **COLLAPSIBLE LANTERN**

(75) Inventor: **Tit Wing Poon**, Shatin (CN)

(73) Assignee: **Tupor Limited**, Shatin (CN)

(**) Term: **14 Years**

(21) Appl. No.: **29/141,852**

(22) Filed: **May 14, 2001**

(30) **Foreign Application Priority Data**

Nov. 14, 2000 (HK) 0011665

(51) **LOC (7) Cl.** **26-02**

(52) **U.S. Cl.** **D26/48**

(58) **Field of Search** D26/37-50; 362/157,
362/158, 171, 173, 183-208

(56) **References Cited**

U.S. PATENT DOCUMENTS

D. 296,010 * 5/1988 Wan D26/40

D. 433,762 * 11/2000 Yuen D26/40

* cited by examiner

Primary Examiner—Marcus A. Jackson

(74) *Attorney, Agent, or Firm*—Alix, Yale & Ristas, LLP

(57) **CLAIM**

The ornamental design for a collapsible lantern, as shown and described.

DESCRIPTION

FIG. 1 is a front view of the collapsible lantern showing my new design;

FIG. 2 is a left side view of the collapsible lantern of FIG. 1;

FIG. 3 is a right side view of the collapsible lantern of FIG. 1;

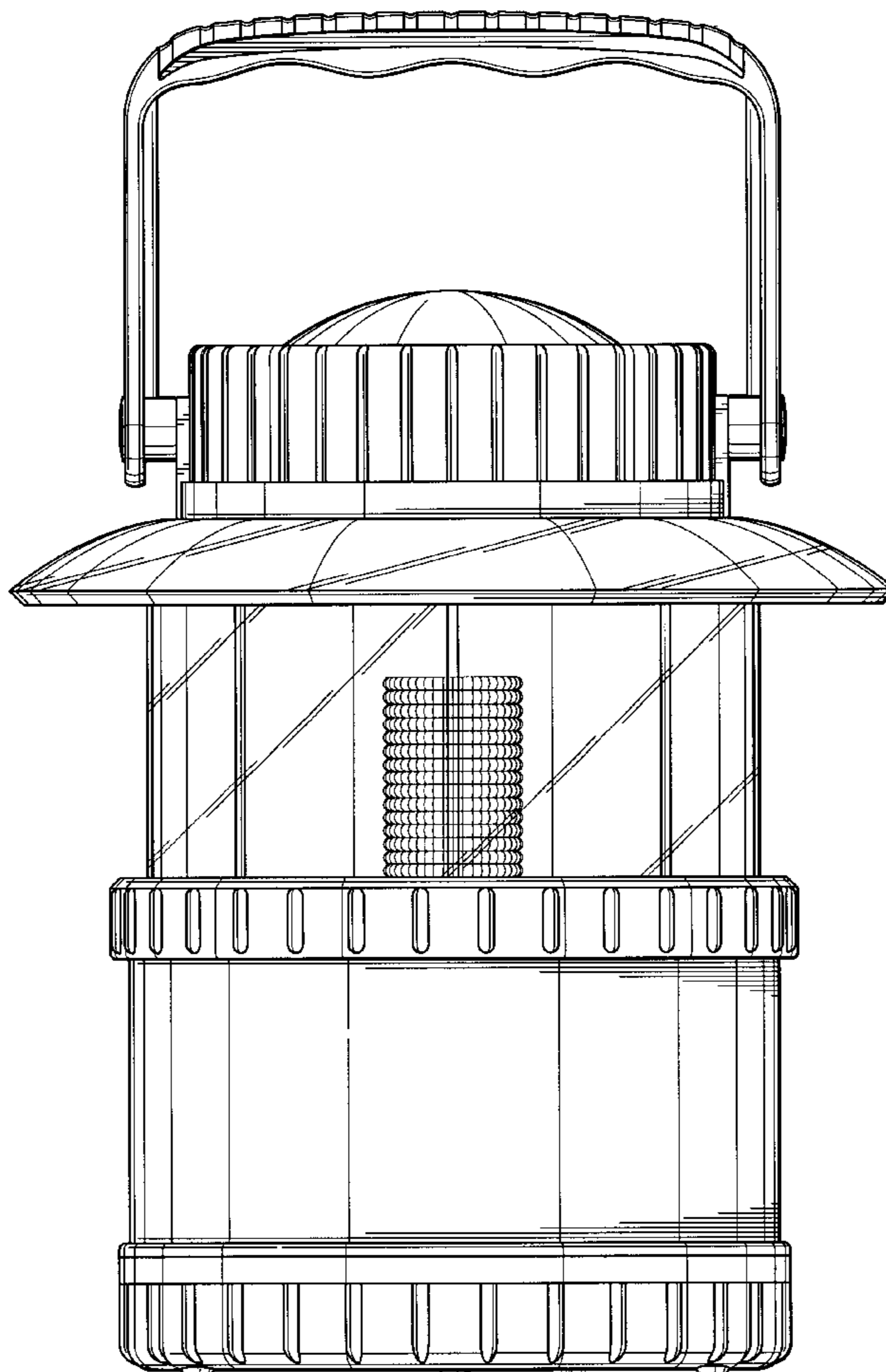
FIG. 4 is a rear view of the collapsible lantern of FIG. 1;

FIG. 5 is a top plan view of the collapsible lantern of FIG. 1;

FIG. 6 is a bottom plan view of the collapsible lantern of FIG. 1; and,

FIG. 7 is a front view of the collapsible lantern of FIG. 1 illustrated in a collapsed stowed position.

1 Claim, 7 Drawing Sheets



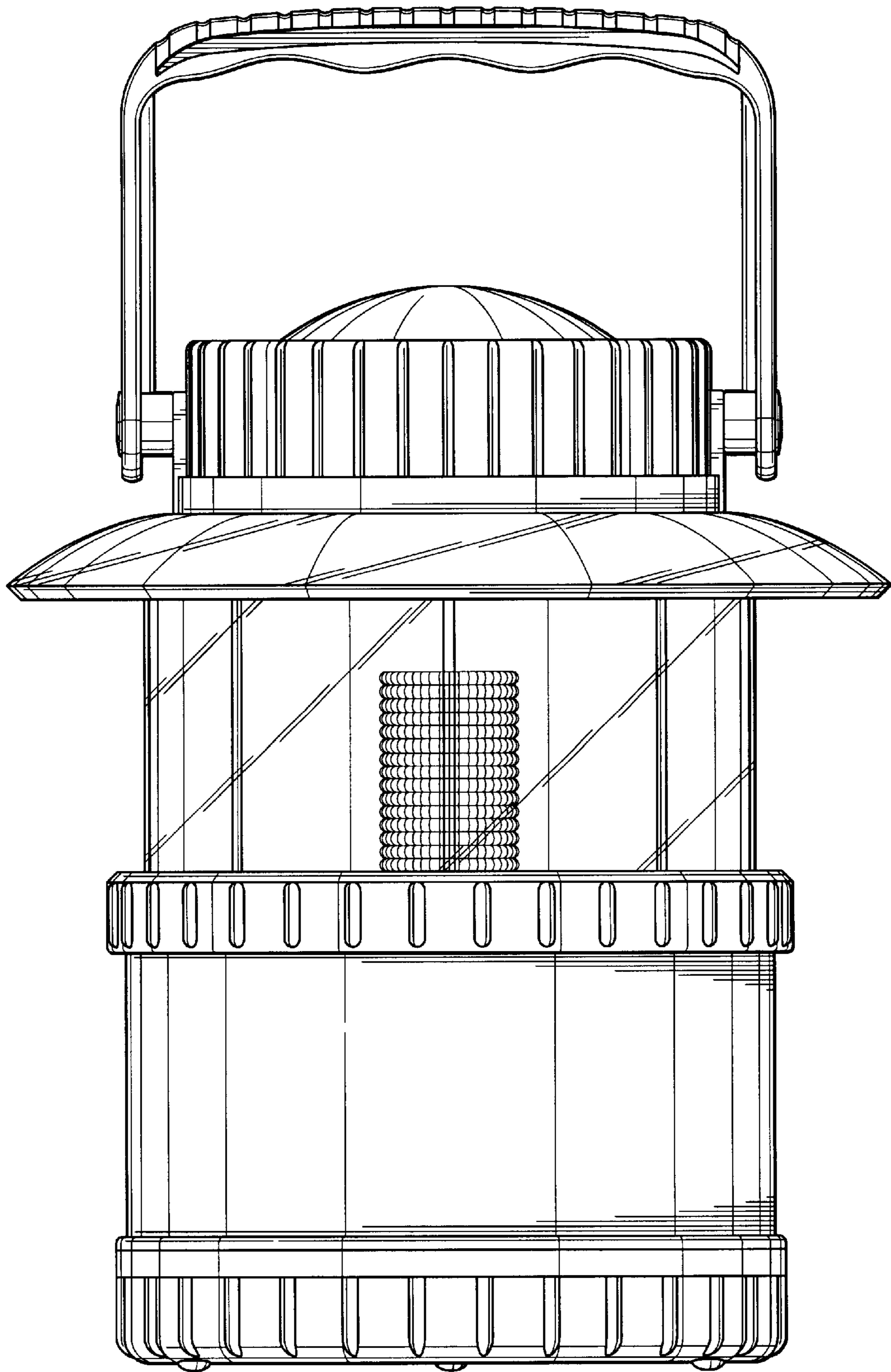


FIG. 1

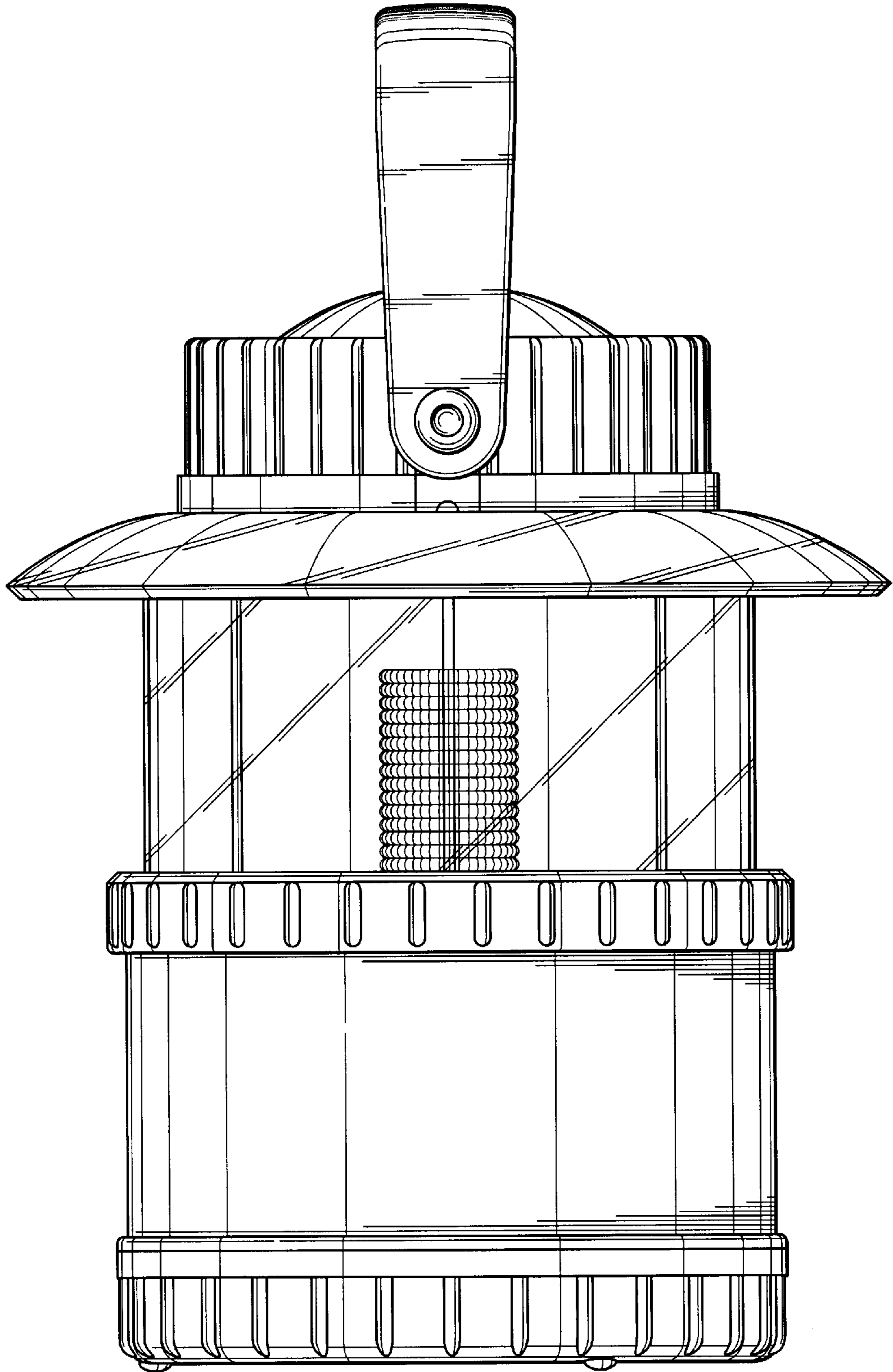


FIG. 2

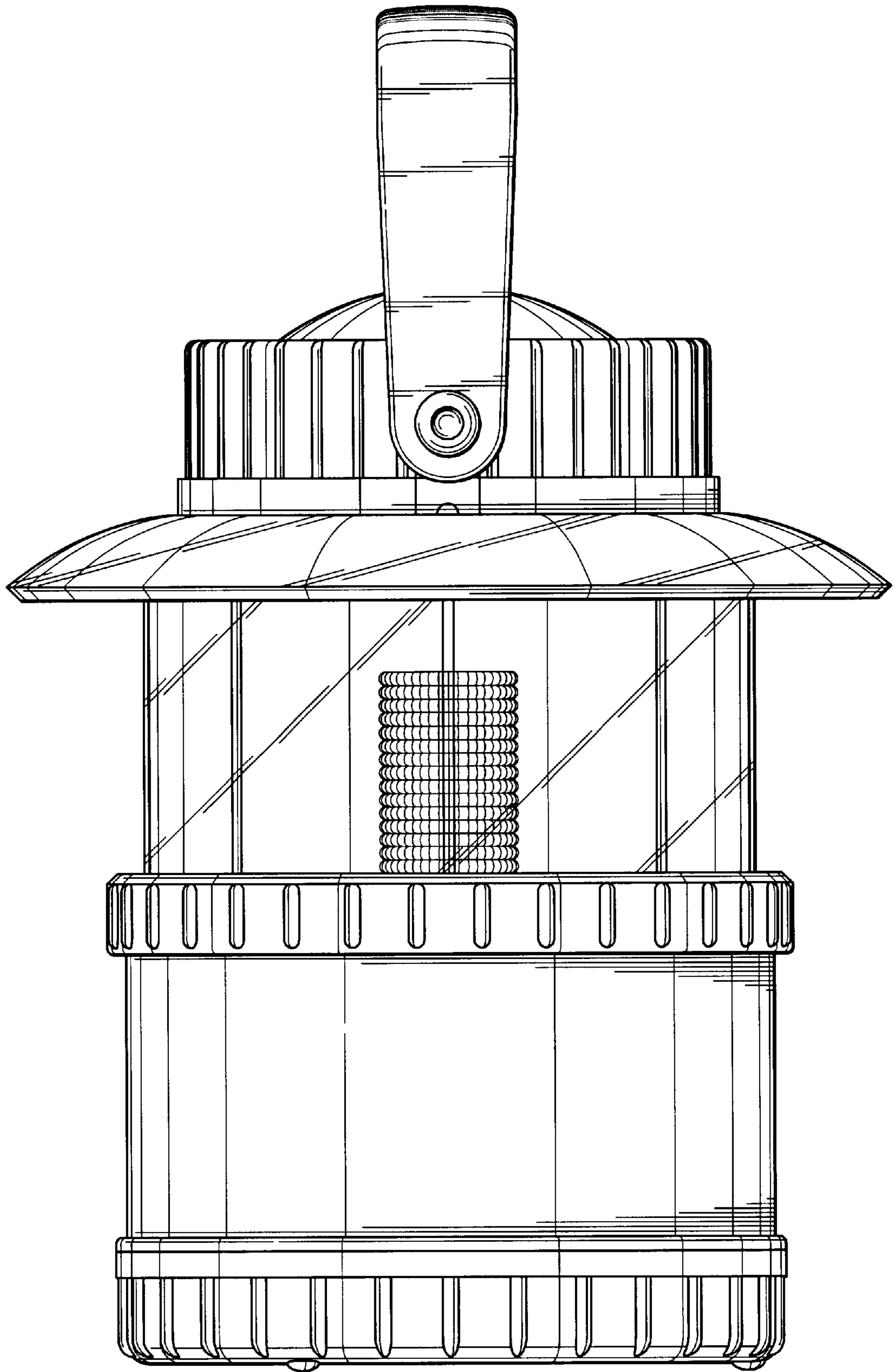


FIG. 3

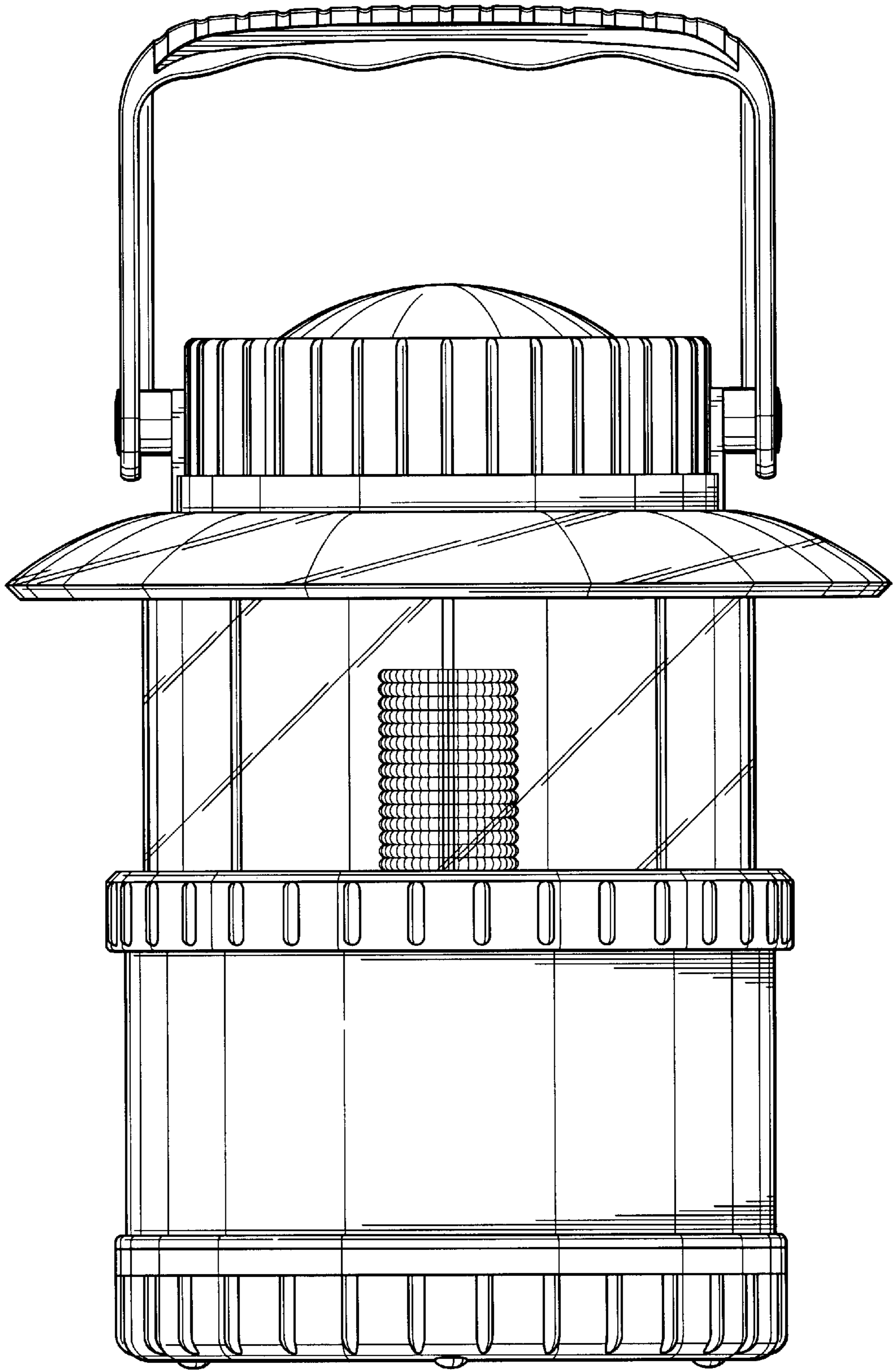


FIG. 4

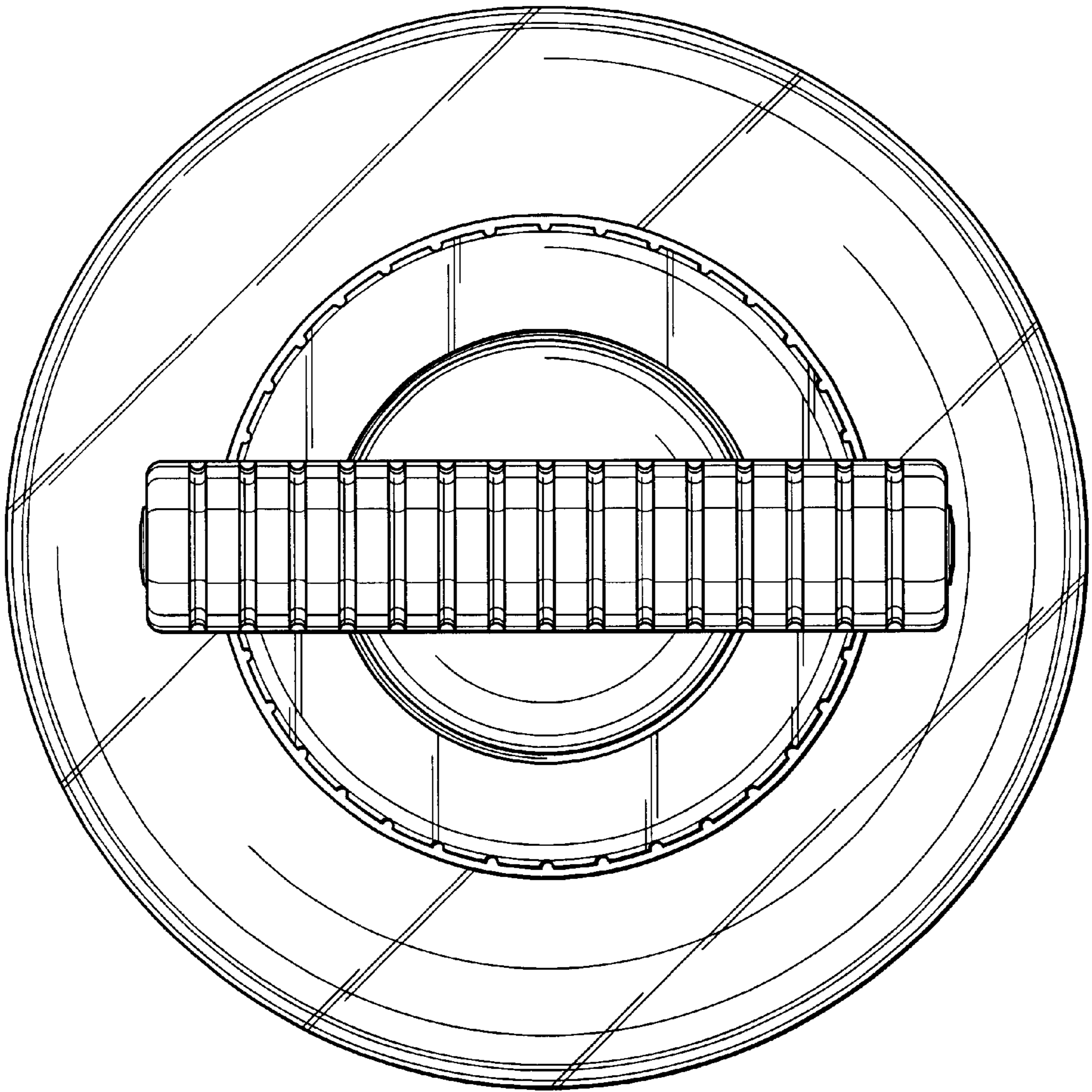


FIG. 5

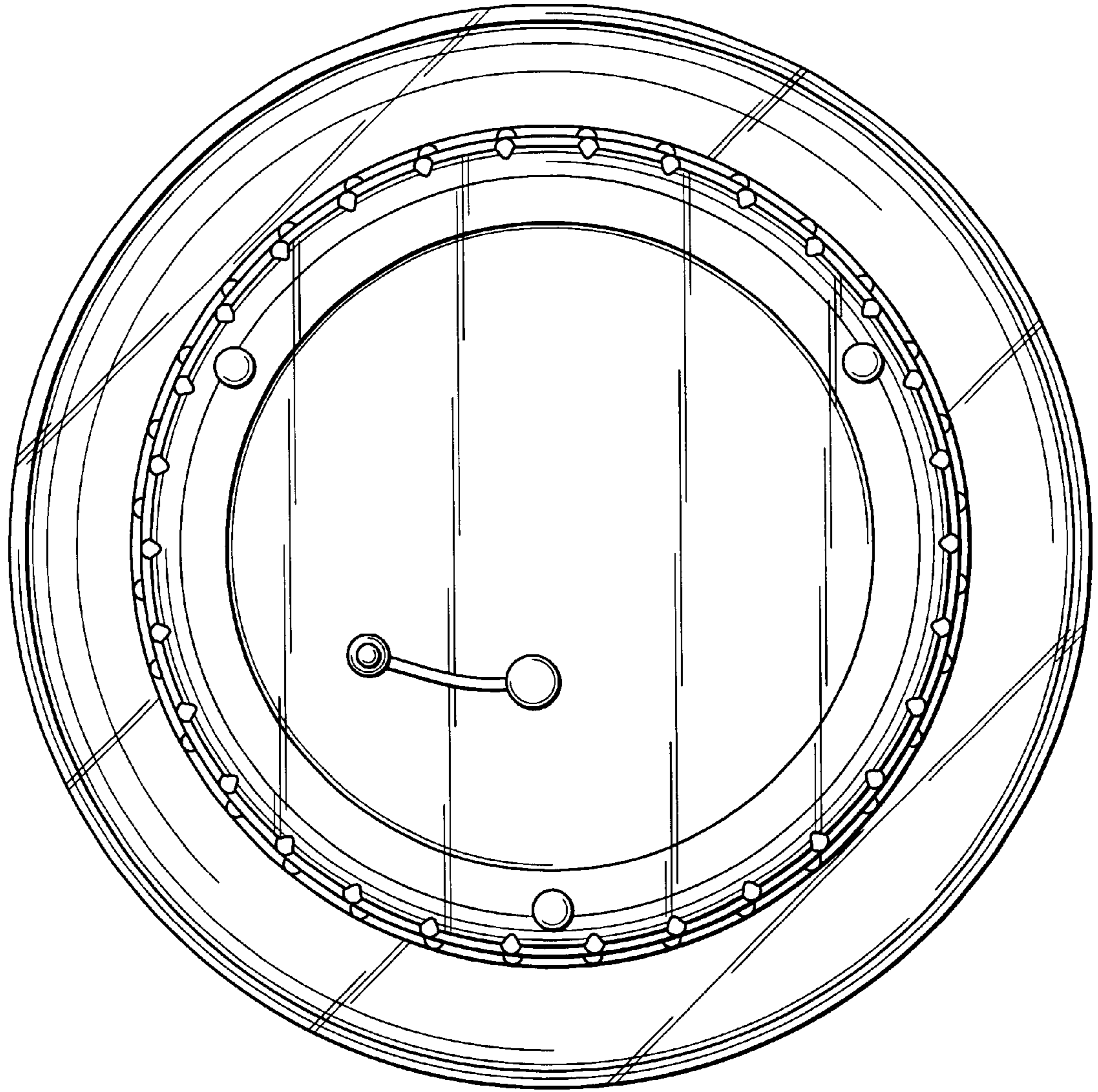


FIG. 6

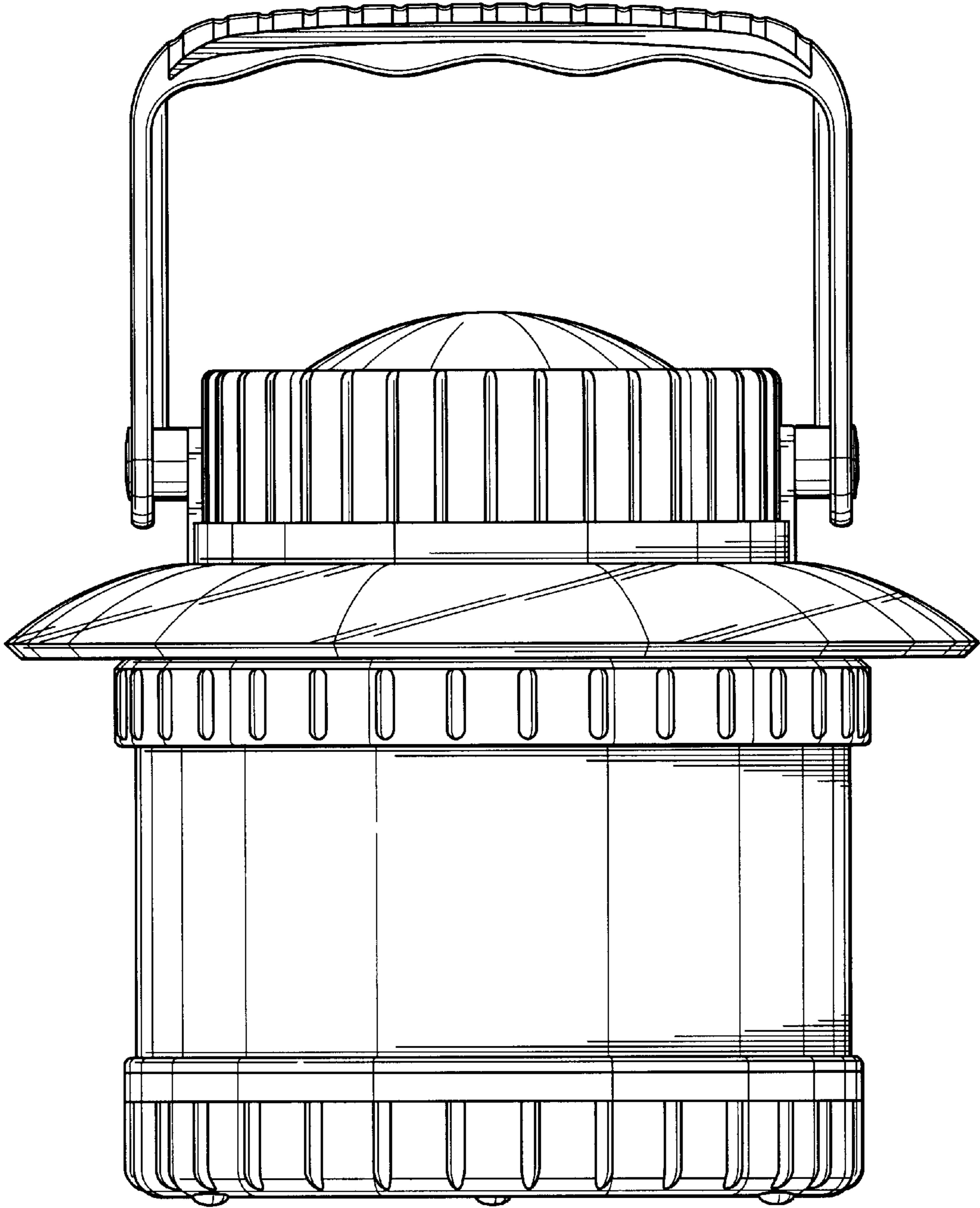


FIG. 7