



US00D452021B1

(12) **United States Design Patent**
Yeh

(10) **Patent No.:** **US D452,021 S**

(45) **Date of Patent:** **** Dec. 11, 2001**

(54) **LAMP SET**

(75) **Inventor:** **Frank Yeh, Taipei (TW)**

(73) **Assignees:** **Lucky Yeh International Ltd.,
Kowloon (HK); Lucky Star Enterprise
Co., LTD, Taipei (TW)**

(**) **Term:** **14 Years**

(21) **Appl. No.:** **29/137,624**

(22) **Filed:** **Feb. 27, 2001**

(51) **LOC (7) Cl.** **26-02**

(52) **U.S. Cl.** **D26/40**

(58) **Field of Search** D26/37-50, 362,
D26/157, 162, 171, 178, 187, 188, 189,
190, 191, 194, 195, 196, 197, 198, 199,
200, 201, 202, 203, 204, 205, 206, 114,
115, 117; D14/230

(56) **References Cited**

U.S. PATENT DOCUMENTS

D. 367,481 * 2/1996 Bacnik D14/230

D. 390,984 * 2/1998 Long et al. D26/41
D. 429,354 * 8/2000 Petterson D26/20
D. 441,887 * 5/2001 Long et al. D26/40

* cited by examiner

Primary Examiner—Susan J. Lucas

(74) *Attorney, Agent, or Firm*—Rosenberg, Klein & Lee

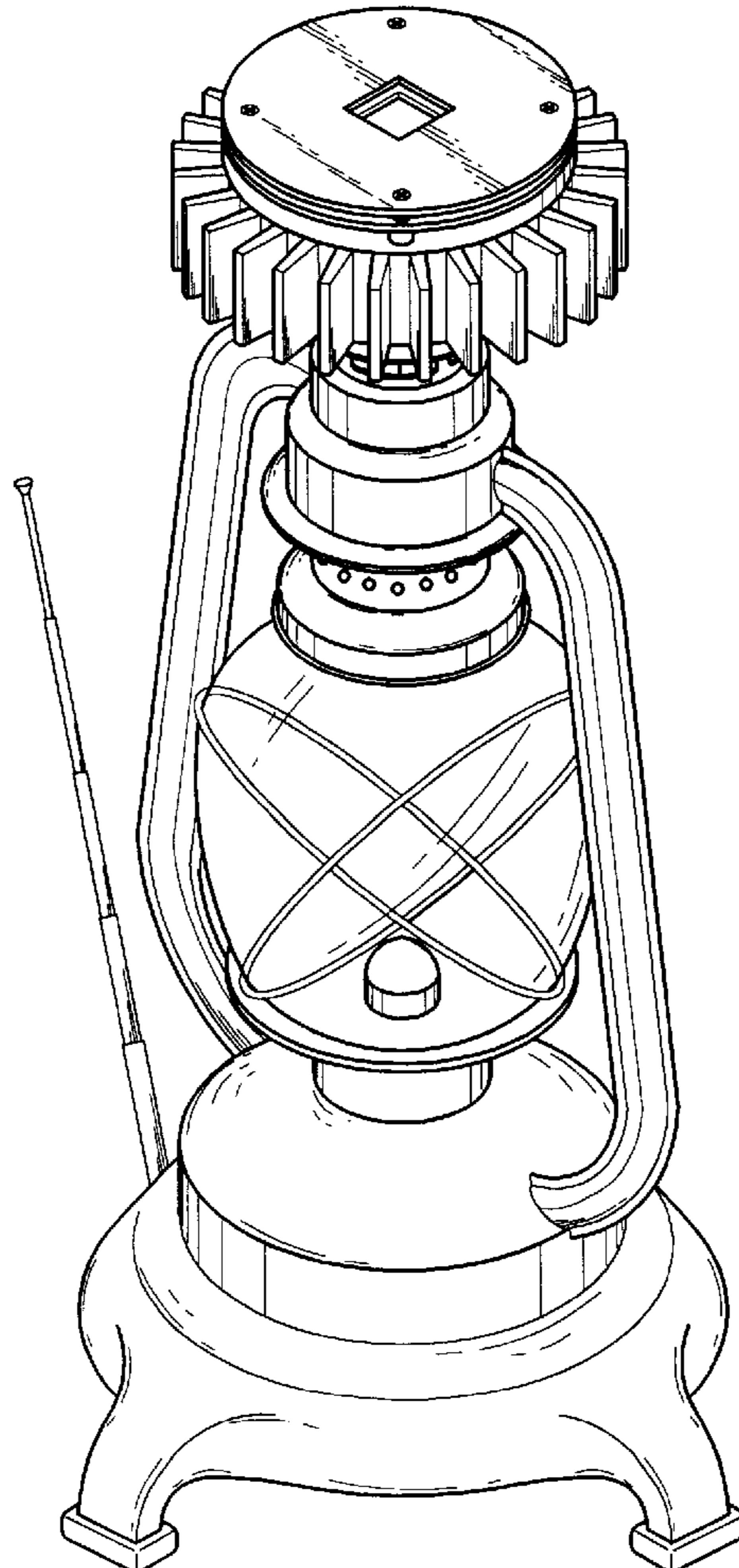
(57) **CLAIM**

The ornamental design for a lamp set, as shown and described.

DESCRIPTION

FIG. 1 is a perspective view of a lamp set showing my new design;
FIG. 2 is a front elevational view thereof;
FIG. 3 is a rear elevational view thereof;
FIG. 4 is a left side elevational view thereof;
FIG. 5 is a right side elevational view thereof;
FIG. 6 is a top plan view thereof; and,
FIG. 7 is a bottom plan view thereof.

1 Claim, 6 Drawing Sheets



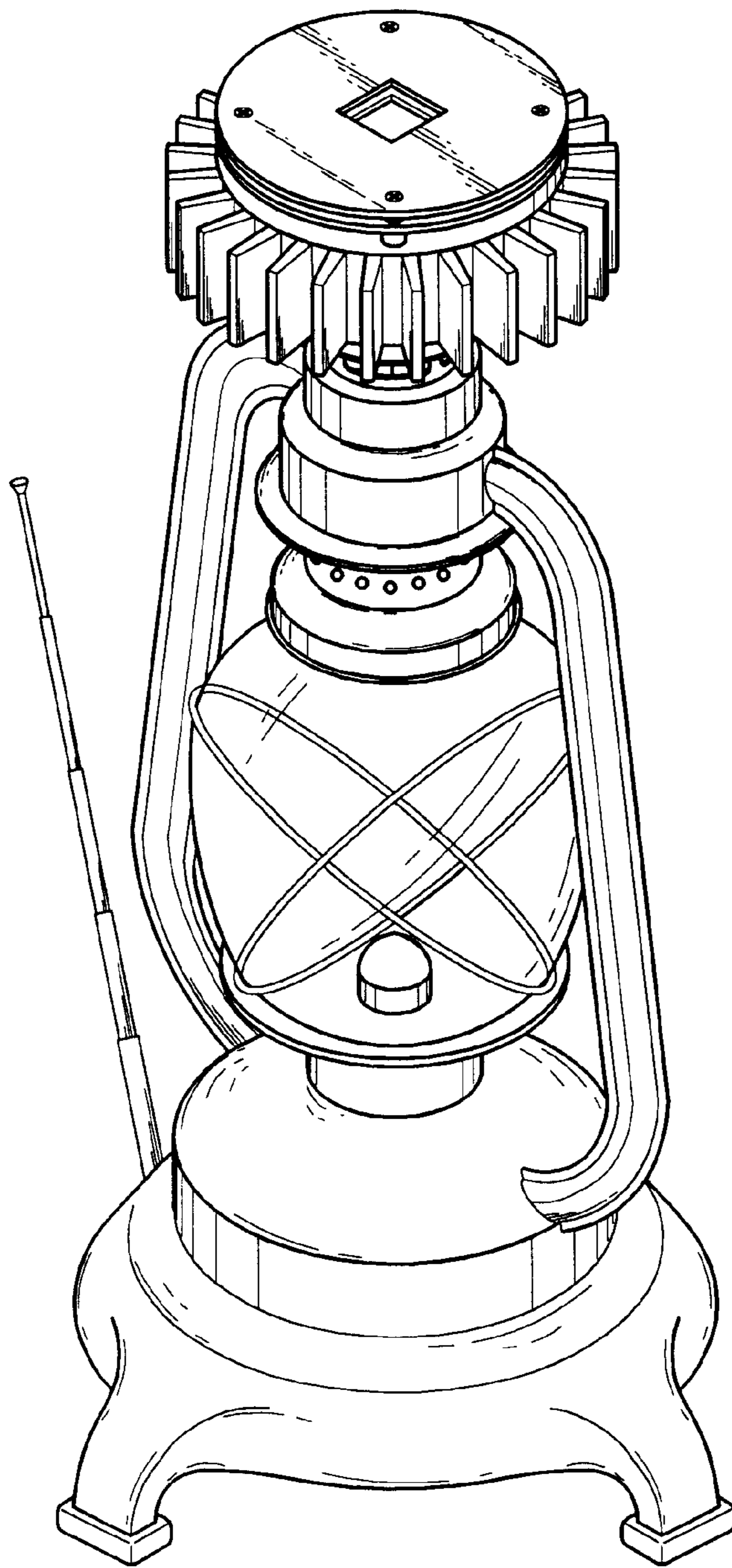


Fig. 1

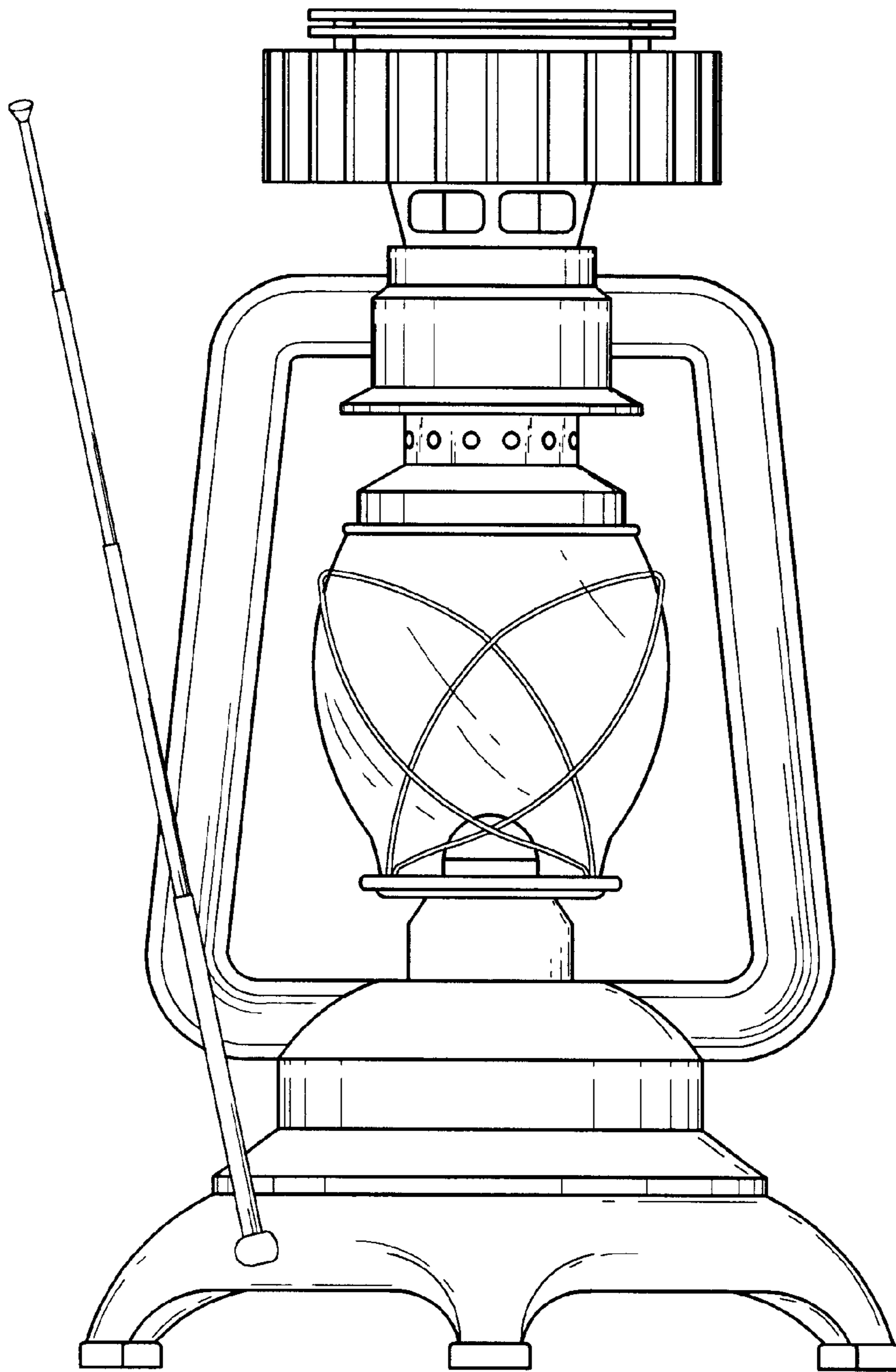


FIG. 2

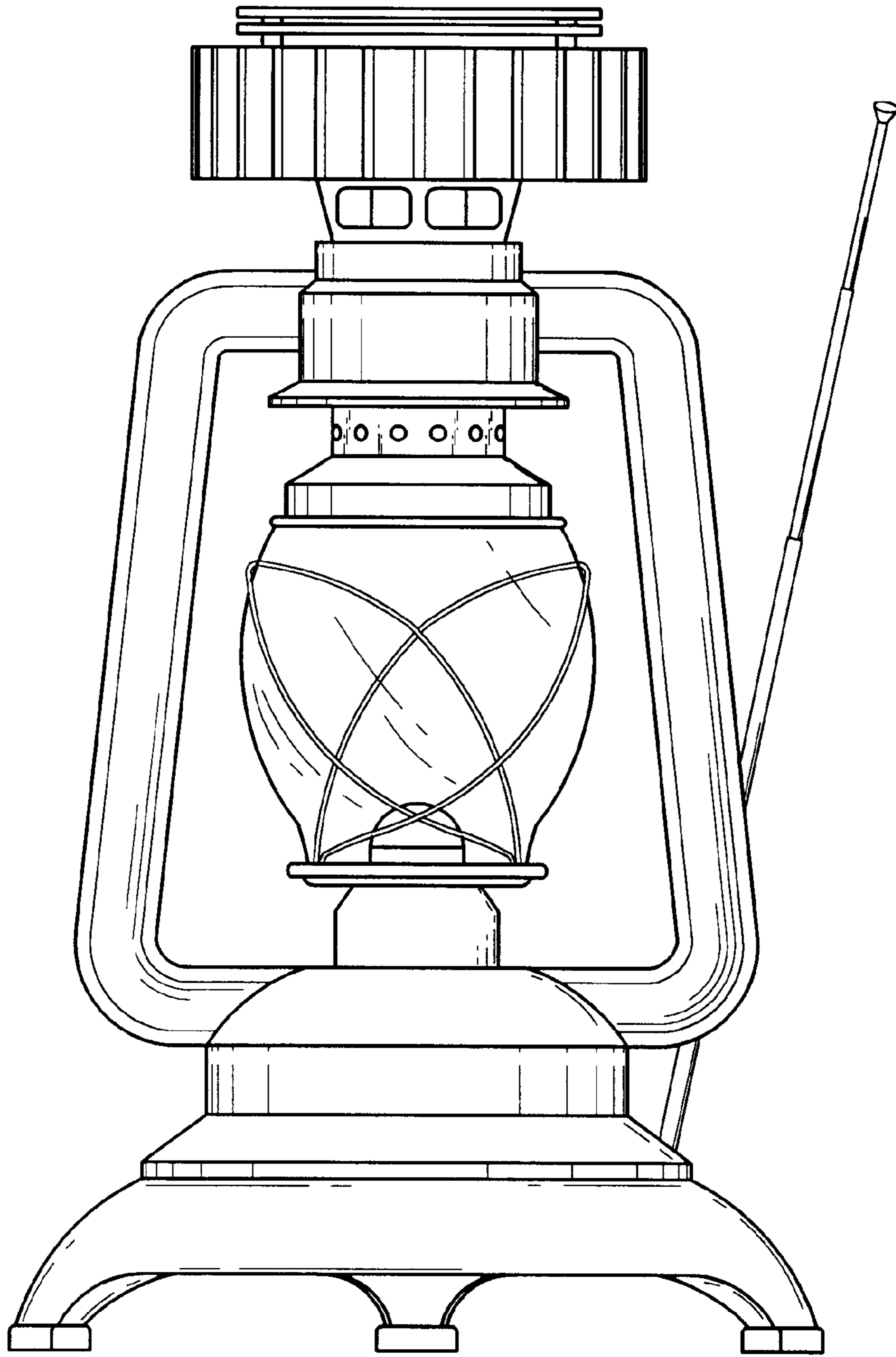


FIG. 3

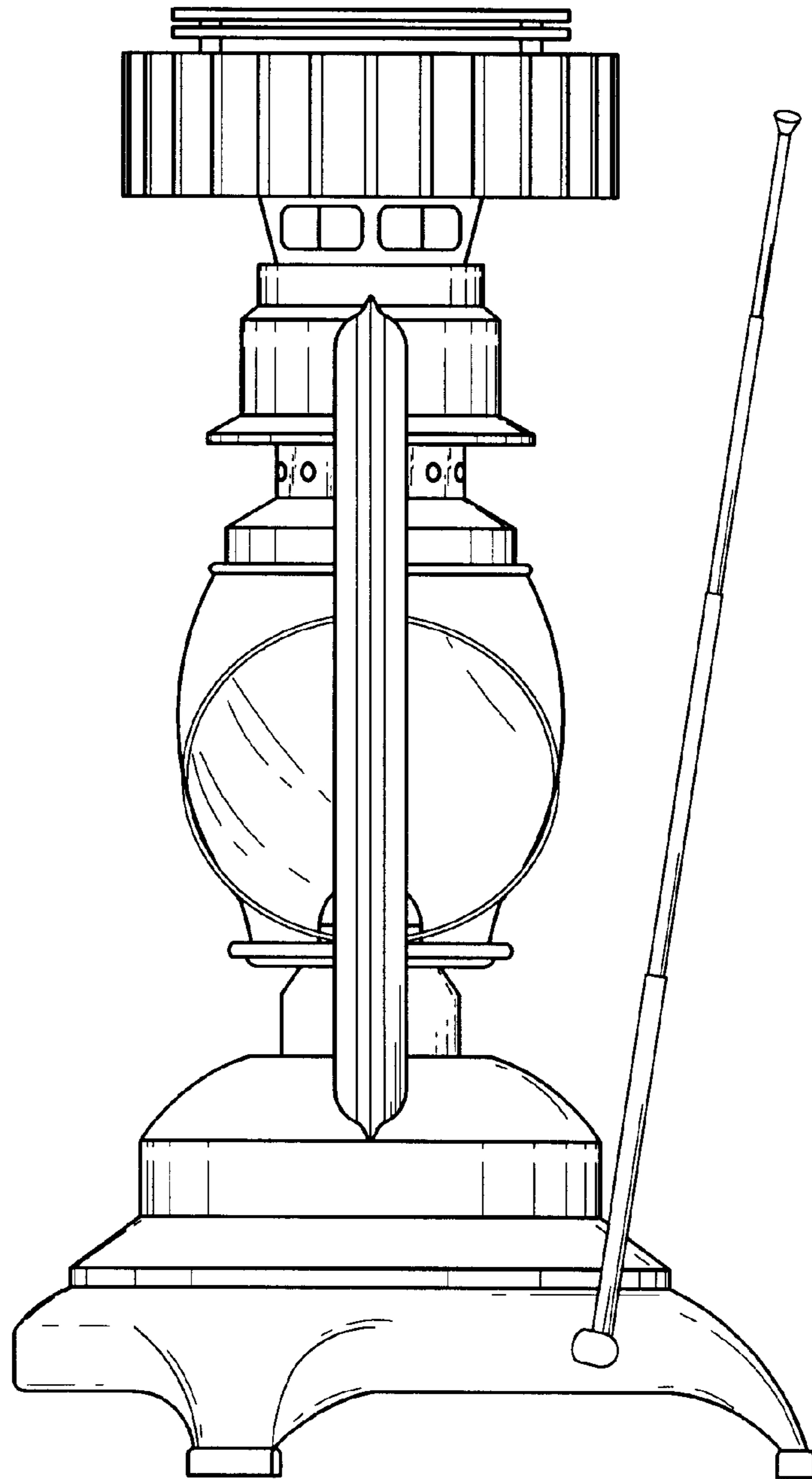


FIG.4

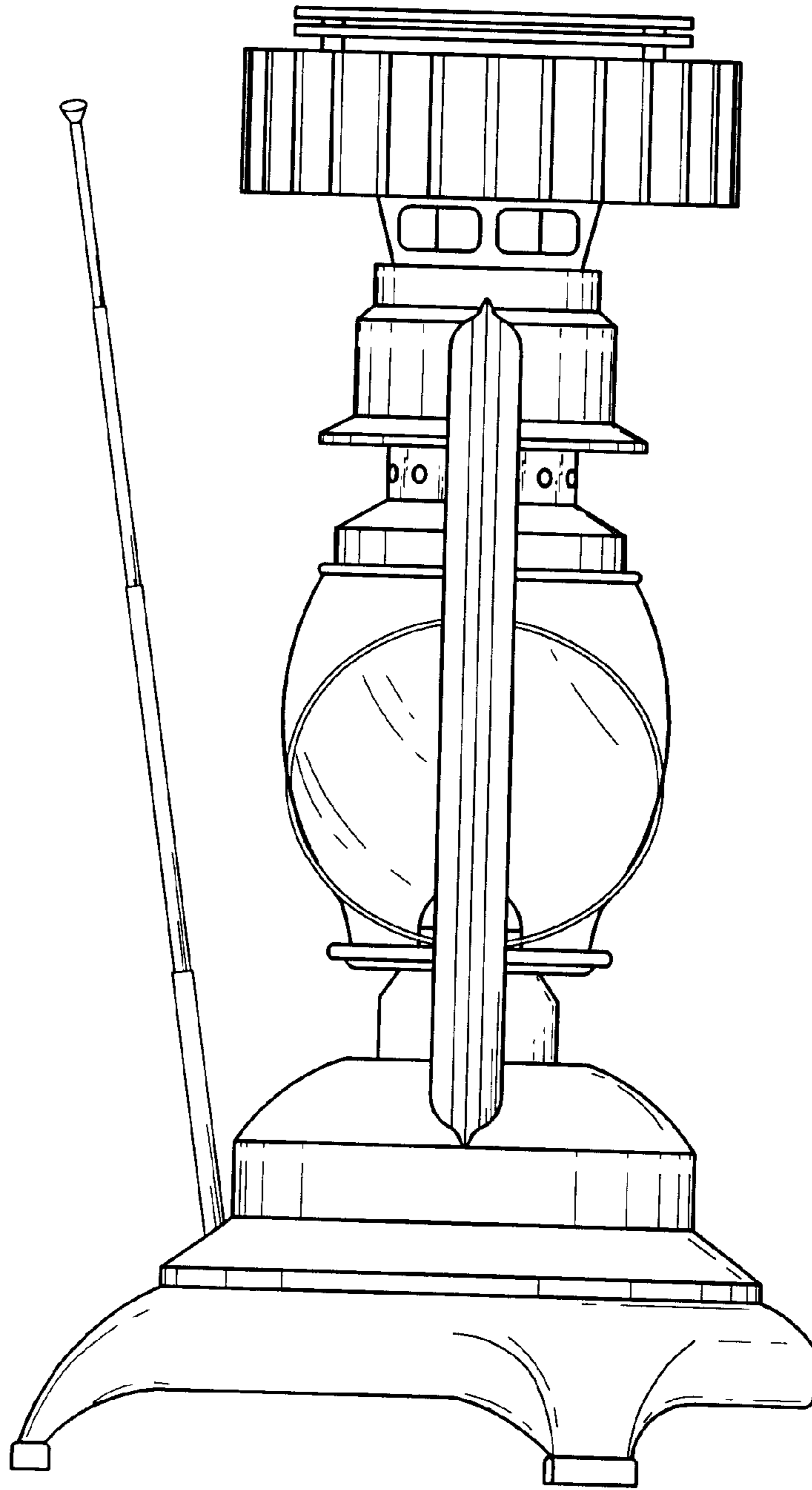


FIG. 5

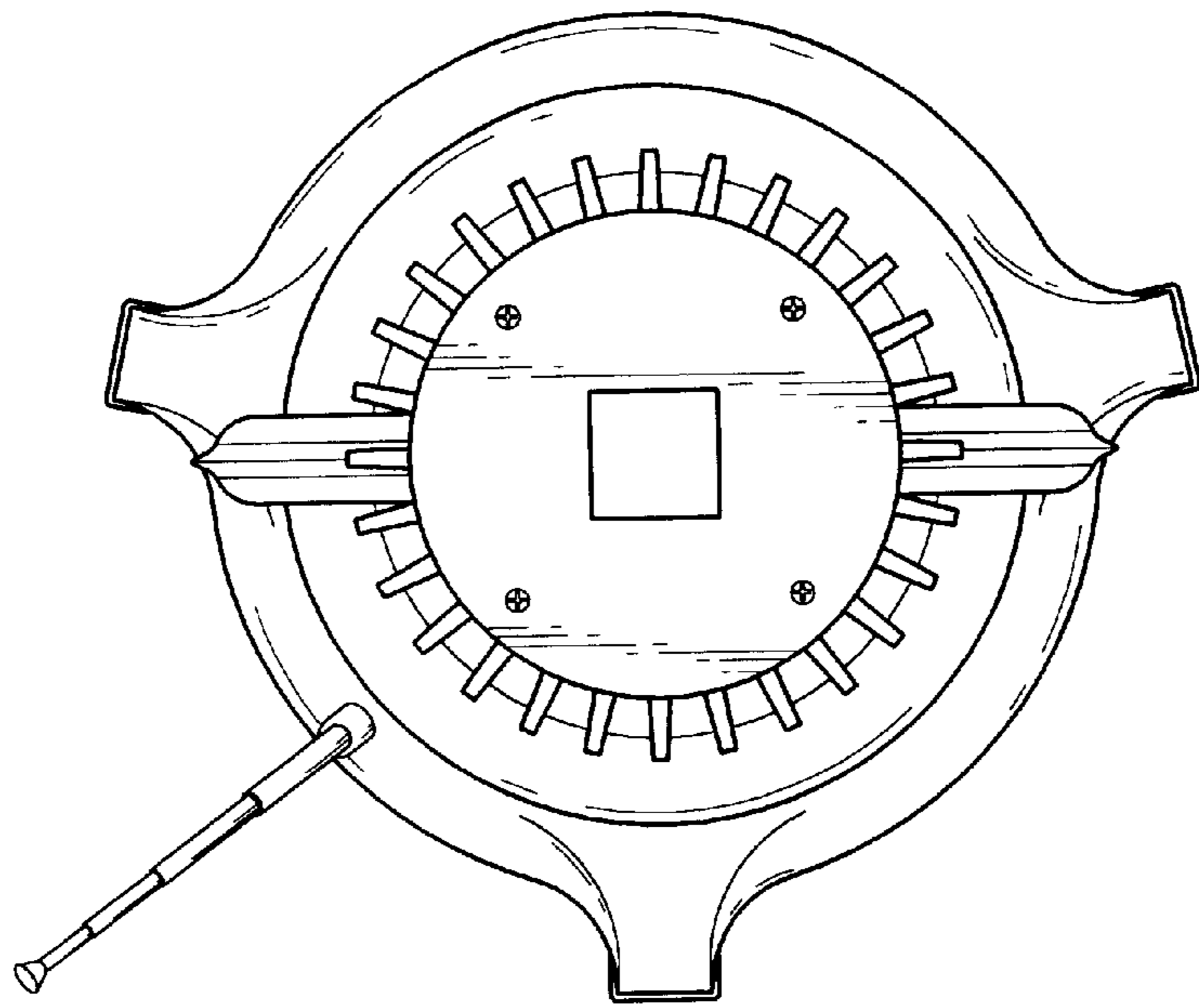


FIG. 6

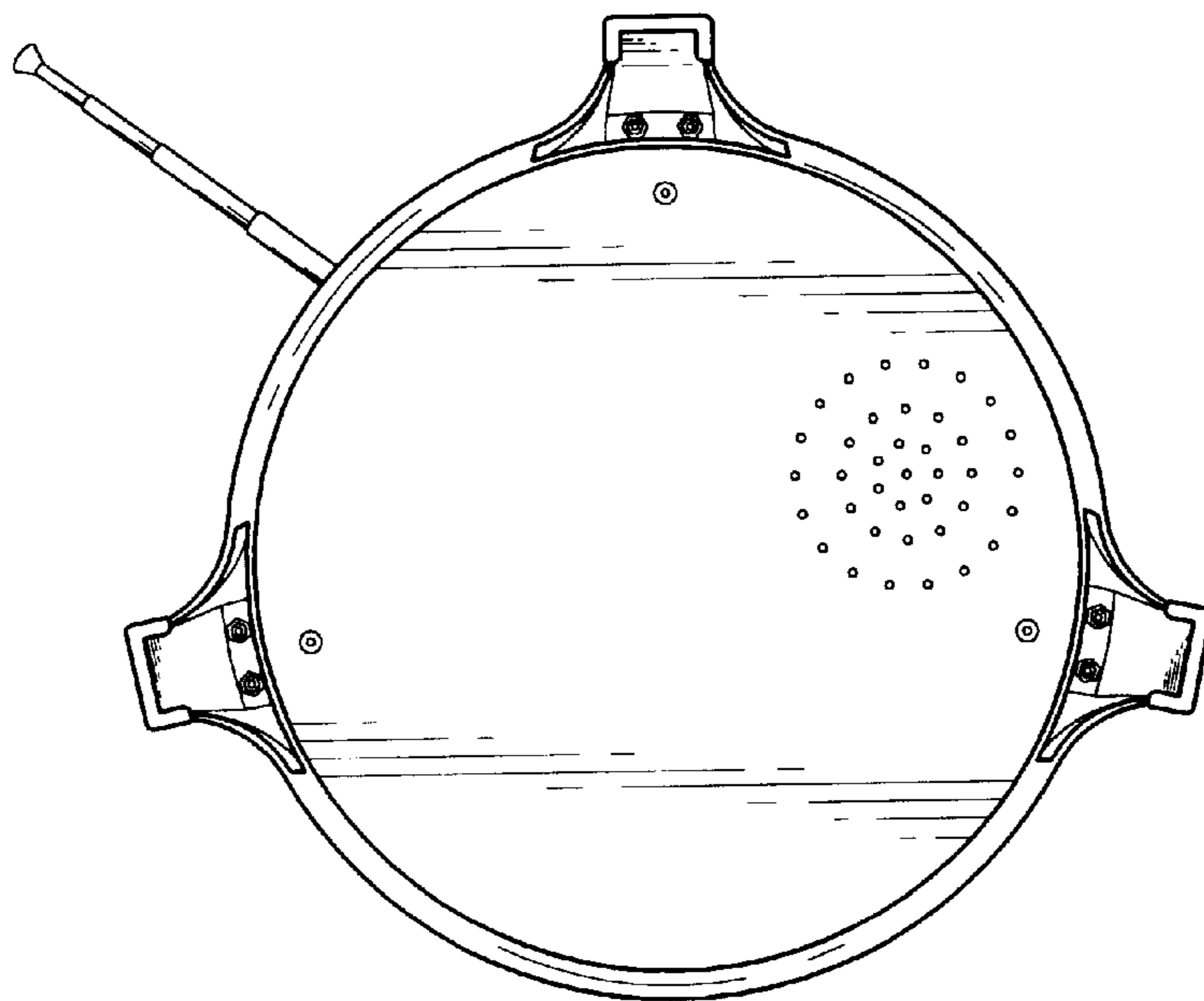


FIG. 7