



US00D452018B1

(12) **United States Design Patent**
Merrick

(10) **Patent No.:** **US D452,018 S**

(45) **Date of Patent:** **** Dec. 11, 2001**

- (54) **PINION FENCE POST FINIAL**
- (75) Inventor: **Richard James Merrick**, Alda, NE (US)
- (73) Assignee: **T.M.C., Inc.**, Alda, NE (US)
- (**) Term: **14 Years**
- (21) Appl. No.: **29/116,403**
- (22) Filed: **Mar. 21, 2000**
- (51) **LOC (7) Cl.** **25-01**
- (52) **U.S. Cl.** **D25/135**
- (58) **Field of Search** D25/135, 138; 52/300, 301; 256/65, 66

- 5,078,367 1/1992 Simpson et al. .
- 5,149,060 9/1992 Boes .
- 5,150,885 9/1992 Leone .
- 5,192,054 3/1993 Sharp .
- 5,301,926 4/1994 Sharp .
- 5,332,196 7/1994 Wright .
- 5,415,380 5/1995 Sharp .
- 5,421,556 6/1995 Dodge et al. .
- 5,529,289 6/1996 Lancer, Sr. .
- 5,531,427 7/1996 Quarles .
- 5,577,710 11/1996 Kirby .

(List continued on next page.)

OTHER PUBLICATIONS

- Invention Disclosure Form for Pressure Fit System for Fence Post Tops, James Tommy Lee & Richard James Merrick, Dec. 17, 1999.
- Invention Disclosure Form for Standard Deluxe Stackable Fence Post Top, Richard James Merrick, Dec. 17, 1999.
- E-Mail from Richard James Merrick to Ria Farrell Schalnat, advertisement from Fencepost dated Jan./Feb. 2000, p. 22.
- Invention Disclosure for Designs, Dec. 17, 1999.
- Letter from Matt Kasap to Ria Farrell Schalnat, Nov. 17, 1999.

Primary Examiner—Doris Clark
(74) *Attorney, Agent, or Firm*—Frost Brown Todd LLC

(56) **References Cited**

U.S. PATENT DOCUMENTS

- D. 186,379 * 10/1959 Ross D25/135
- D. 239,038 * 3/1976 Hirst D25/135
- D. 239,452 * 4/1976 Russo D25/135
- D. 269,209 5/1983 Hegarty .
- D. 340,404 10/1993 Prezner .
- D. 348,526 7/1994 Nowotny .
- D. 382,984 * 8/1997 Junell D25/135
- D. 391,377 2/1998 Langlie et al. .
- D. 399,263 10/1998 Christopher .
- 3,648,981 3/1972 Allen .
- 3,720,401 3/1973 Loch .
- 3,799,506 3/1974 Schwartz .
- 3,806,095 4/1974 Ford .
- 3,891,189 6/1975 Russo .
- 3,957,250 5/1976 Murphy .
- 3,960,367 6/1976 Rogers .
- 4,103,875 8/1978 Glass .
- 4,240,615 12/1980 Sickler .
- 4,324,388 4/1982 Klaser .
- 4,364,546 12/1982 Lyman et al. .
- 4,602,765 7/1986 Loper .
- 4,667,935 5/1987 Moore .
- 4,722,514 2/1988 Pettit .
- 4,809,955 3/1989 Veilleux .
- 4,883,256 11/1989 Hebda .
- 4,926,785 5/1990 Lamson .
- 4,991,823 2/1991 Stanish, Jr. .

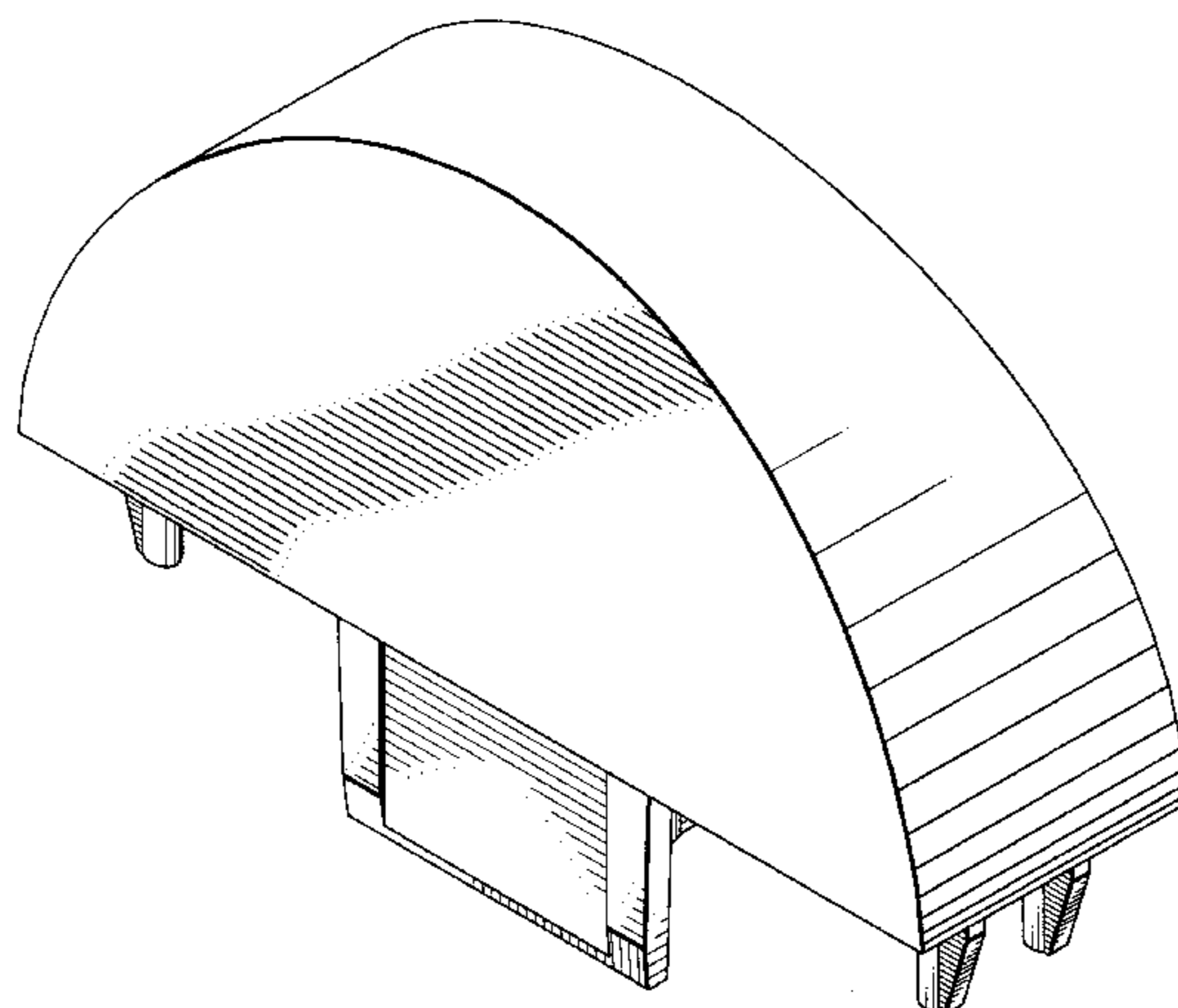
(57) **CLAIM**

The ornamental design for a pinion fence post finial, as shown and described.

DESCRIPTION

- FIG. 1 is a front perspective view showing the pinion fence post finial of the present invention.
- FIG. 2 is a top plan view showing the pinion fence post finial of the present invention.
- FIG. 3 is a front elevational view thereof.
- FIG. 4 is a bottom plan view thereof; and,
- FIG. 5 is a side elevational view thereof.

1 Claim, 3 Drawing Sheets



US D452,018 S

Page 2

U.S. PATENT DOCUMENTS

			5,853,167	12/1998	West .
5,601,278	2/1997	Graber .	5,857,664	1/1999	Schauman .
5,601,279	2/1997	Schwartz et al. .	5,931,450	8/1999	Yoder .
5,651,534	7/1997	Yoder .	5,938,184	8/1999	DeSouza .
5,660,376	8/1997	West .			
5,702,090	12/1997	Edgman .			

* cited by examiner

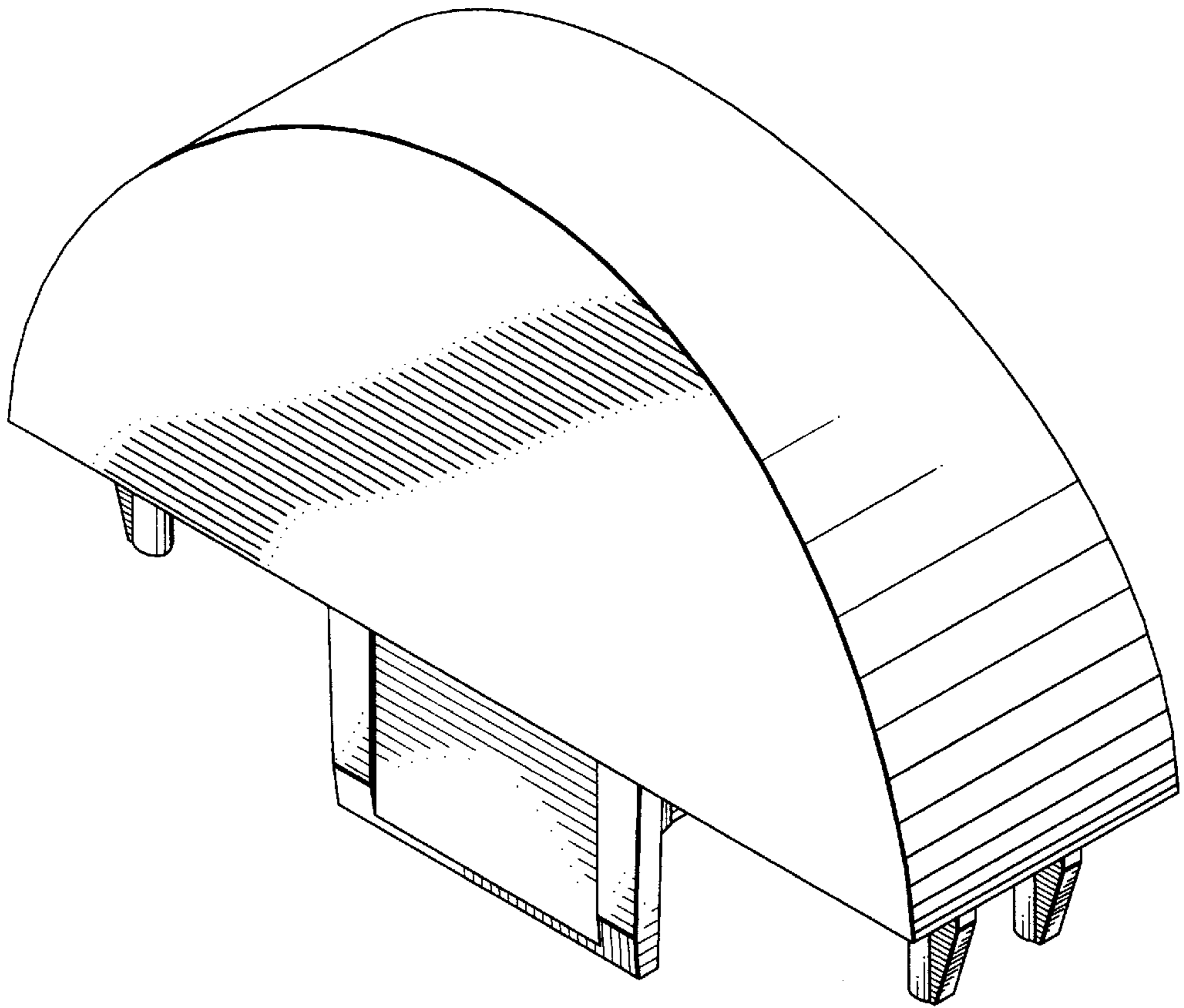


FIG. 1

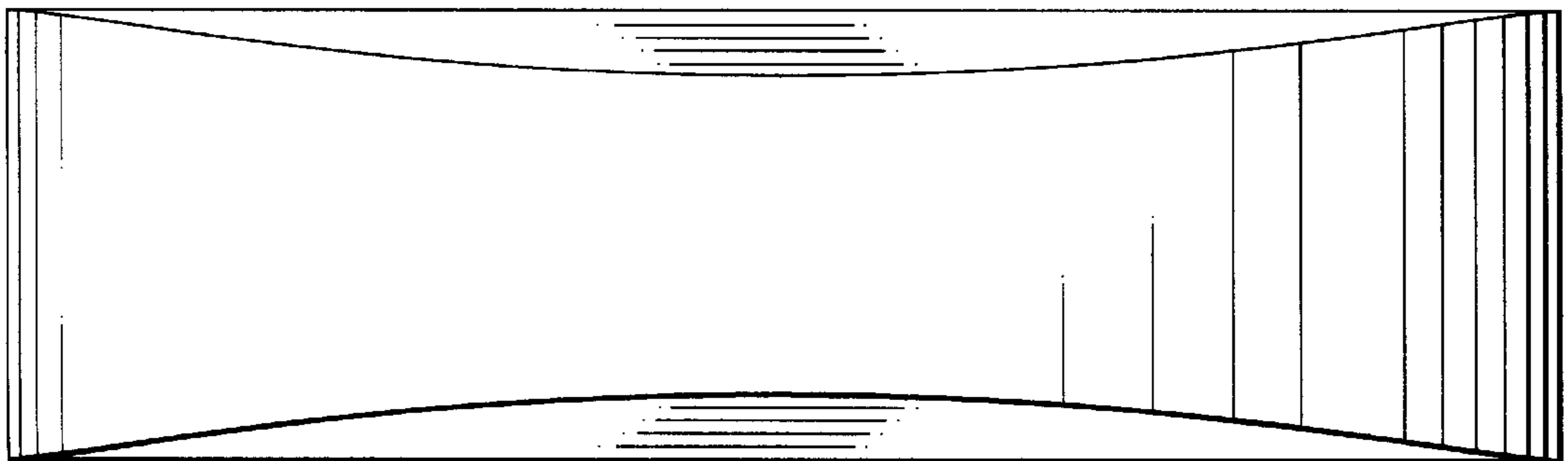


FIG. 2

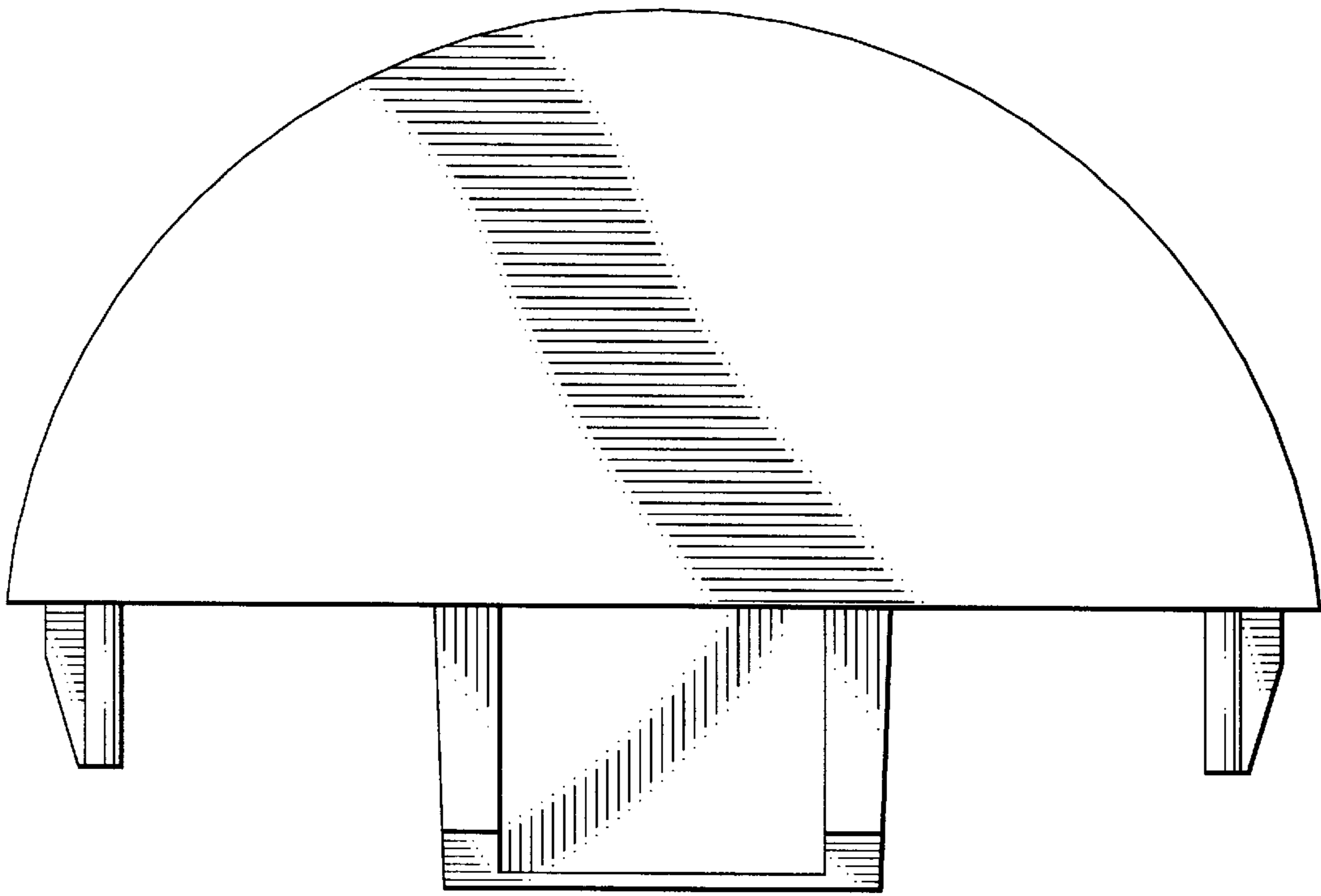


FIG. 3

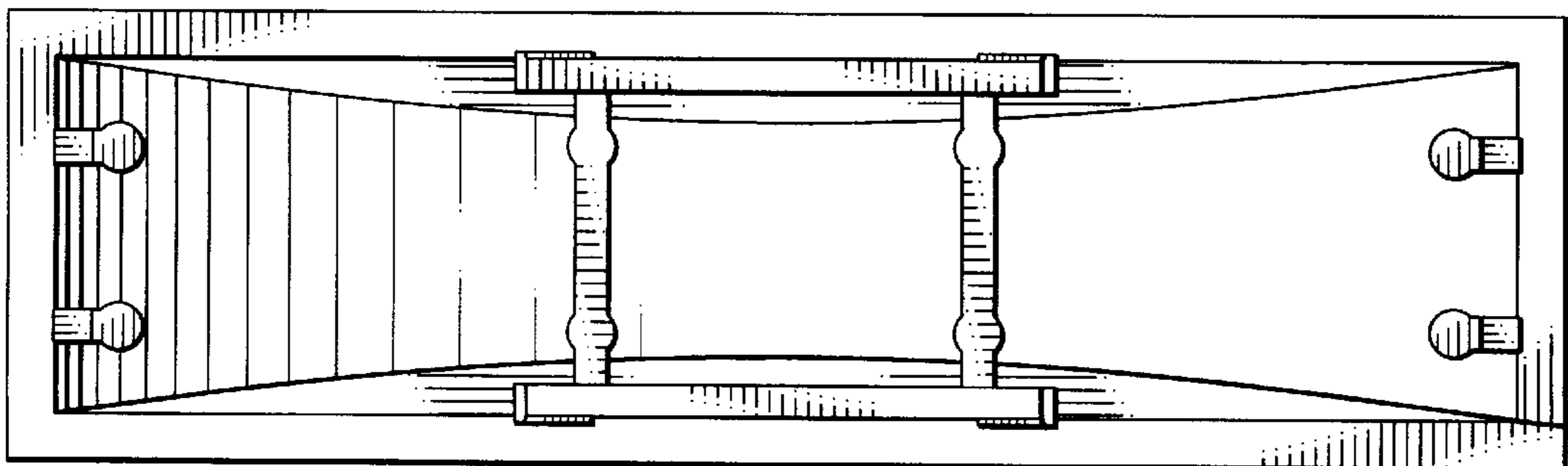


FIG. 4

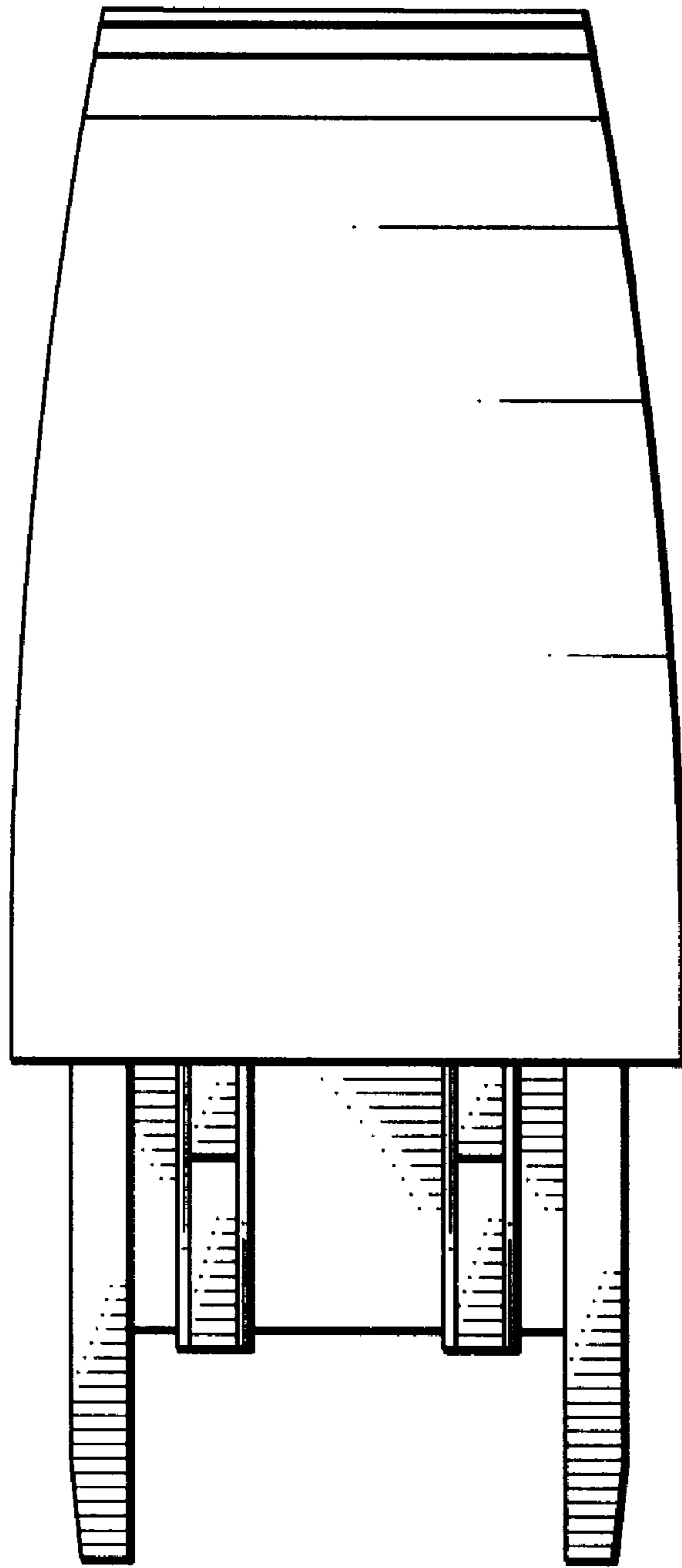


FIG. 5