



US00D452017B1

(12) **United States Design Patent**  
**Krlin**

(10) **Patent No.:** **US D452,017 S**

(45) **Date of Patent:** **\*\* Dec. 11, 2001**

(54) **MULTI-USE DECORATIVE POST**

(76) Inventor: **Mike Krlin**, 9770 - 129th Ave. North,  
Largo, FL (US) 33773

(\*\*) Term: **14 Years**

(21) Appl. No.: **29/138,804**

(22) Filed: **Mar. 20, 2001**

(51) **LOC (7) Cl.** ..... **25-01**

(52) **U.S. Cl.** ..... **D25/129**

(58) **Field of Search** ..... D25/128, 100,  
D25/101, 129, 127, 126; 47/47, 39, 41.01,  
41.1, 41.11, 41.12, 41.13, 41.14, 41.15;  
256/1, 19, 21, 22, 32, 33, 34, DIG. 5; D8/1

(56) **References Cited**

**U.S. PATENT DOCUMENTS**

D. 165,053 \* 11/1951 Crawford ..... D25/100

D. 223,399 \* 4/1972 Selden ..... D25/129

6,035,576 \* 3/2000 Bozeman ..... 47/47

\* cited by examiner

*Primary Examiner*—Doris Clark

(74) *Attorney, Agent, or Firm*—Larson & Larson, P.A.;  
James E. Larson

(57) **CLAIM**

The ornamental design for a multi-use decorative post, as shown and described.

**DESCRIPTION**

FIG. 1 is a front elevational view of a multi-use decorative post showing my new design;

FIG. 2 is a rear elevational view thereof;

FIG. 3 is a left side view thereof;

FIG. 4 is a right side view thereof;

FIG. 5 is a top plan view thereof;

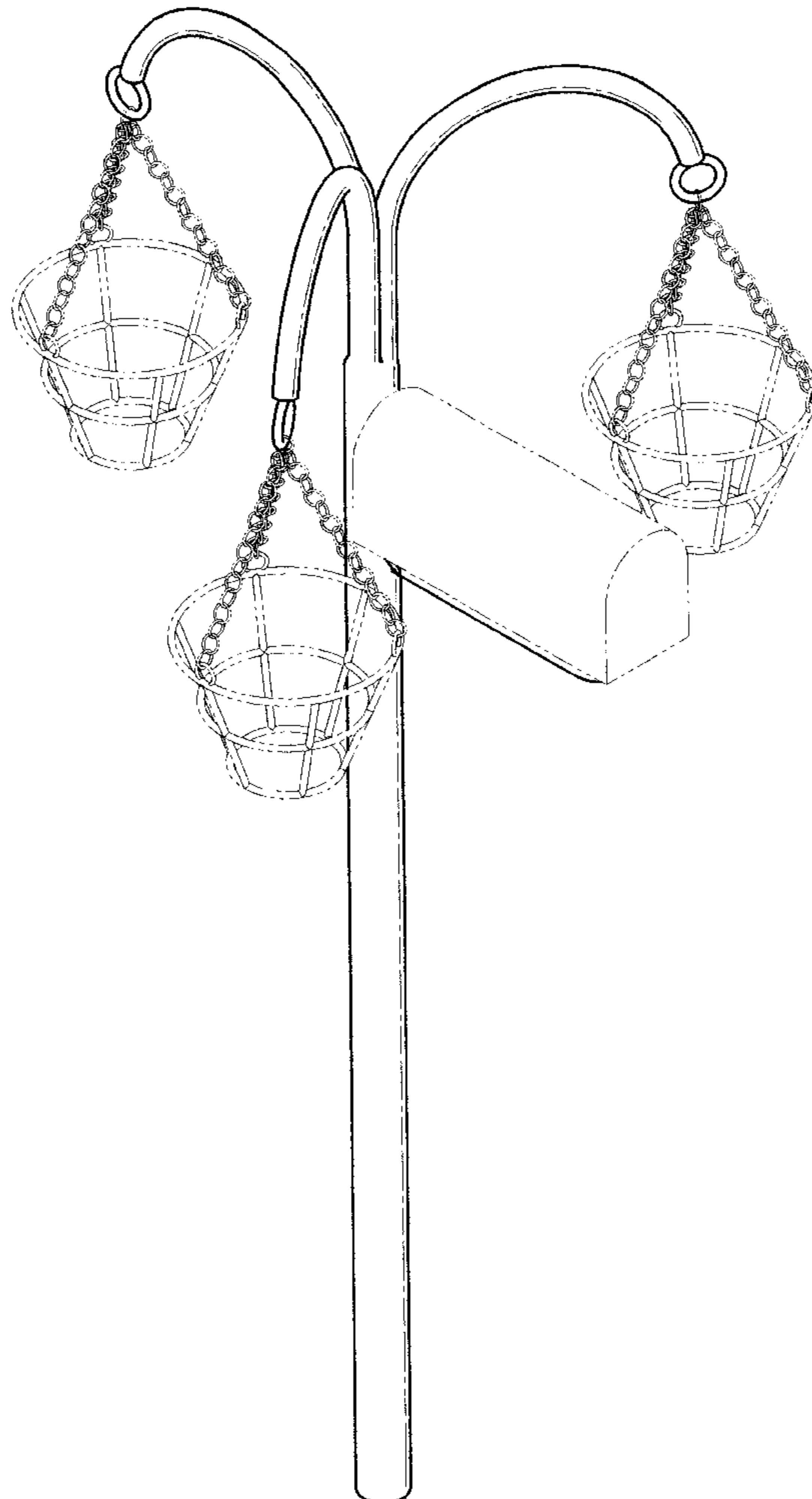
FIG. 6 is a bottom plan view thereof;

FIG. 7 is a perspective view of the multi-use decorative post of the present invention; and,

FIG. 8 is a perspective view of an alternate embodiment of the multi-use decorative post of the present invention.

The broken lines shown in FIGS. 7–8 are for illustrative purposes only and forms no part of the overall claimed design.

**1 Claim, 5 Drawing Sheets**



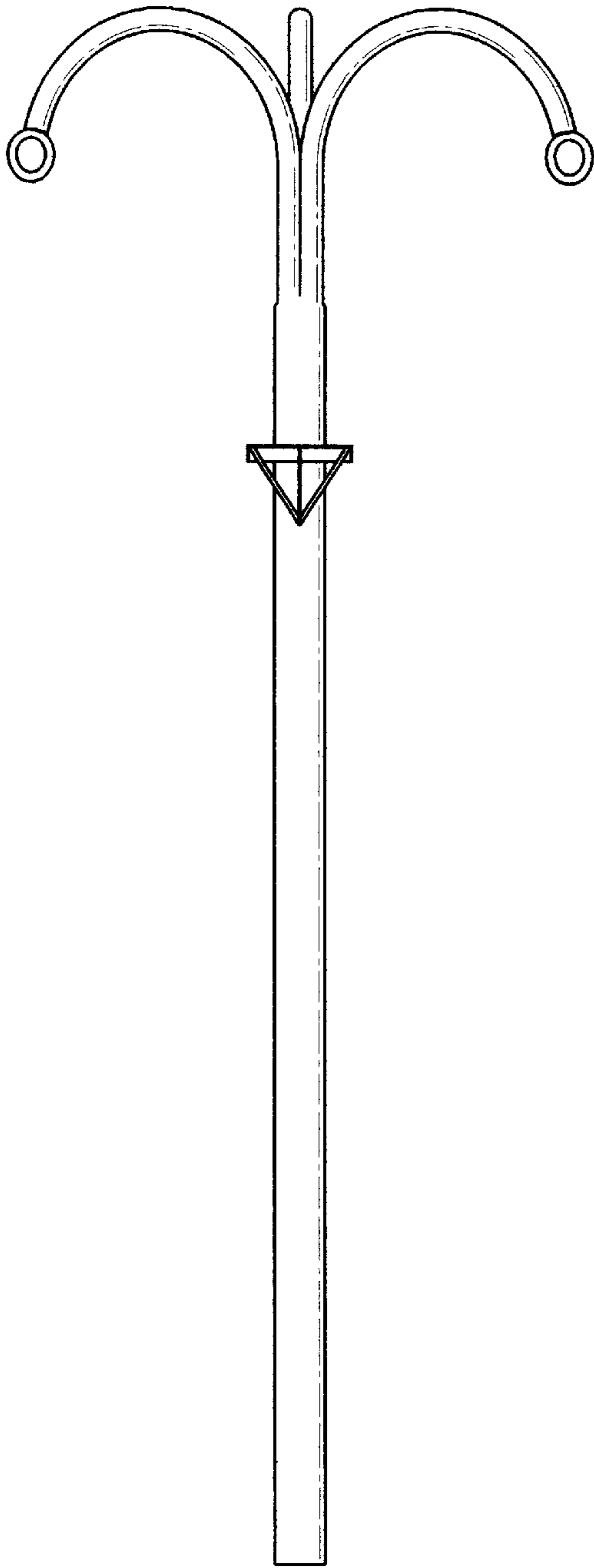


FIG. 1

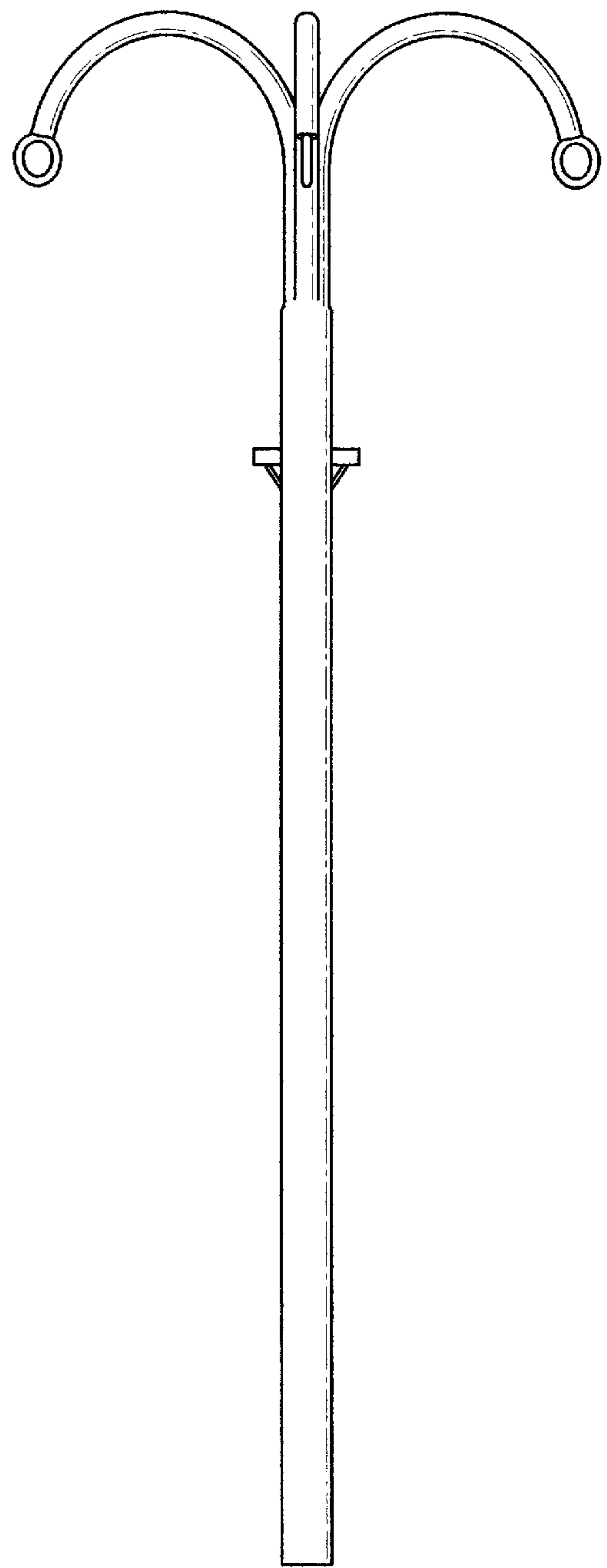


FIG. 2

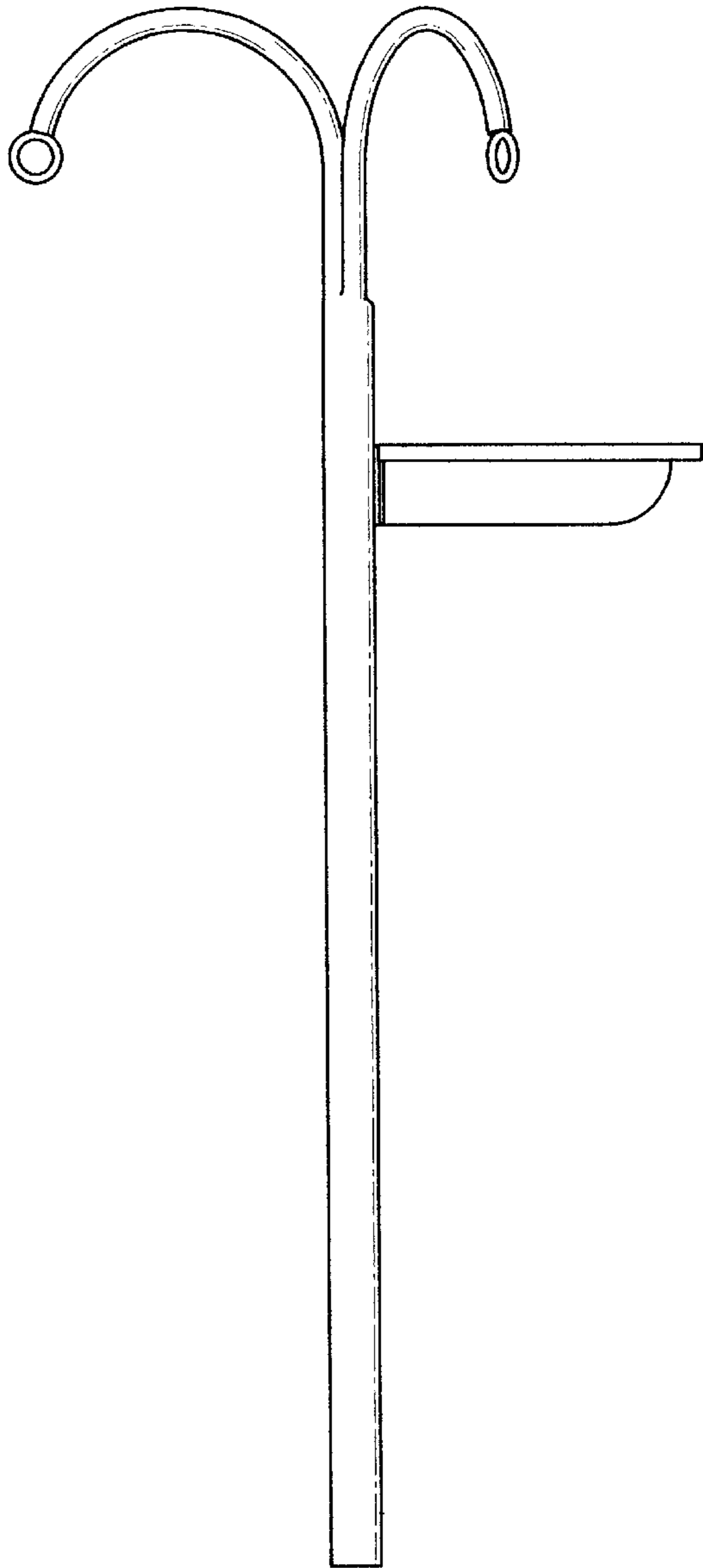


FIG. 3

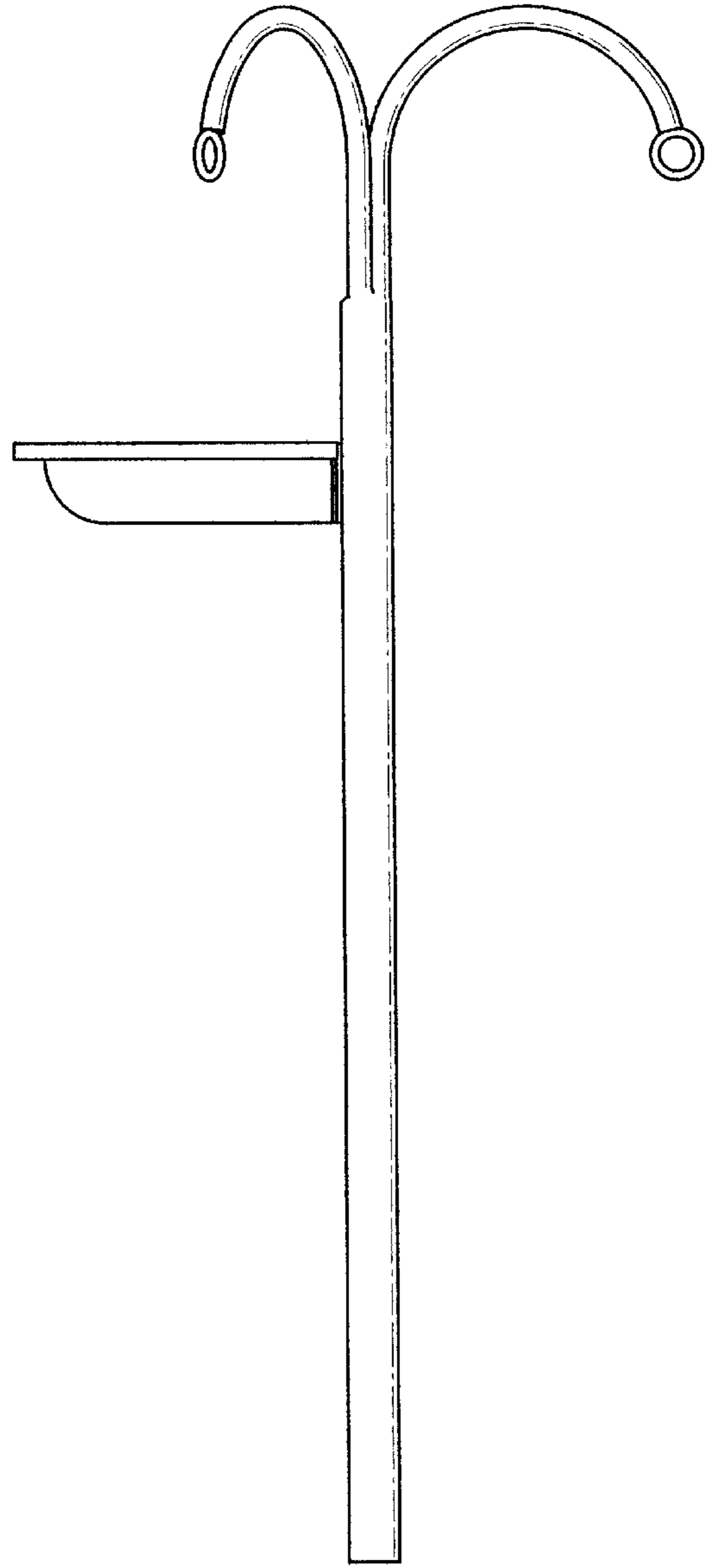
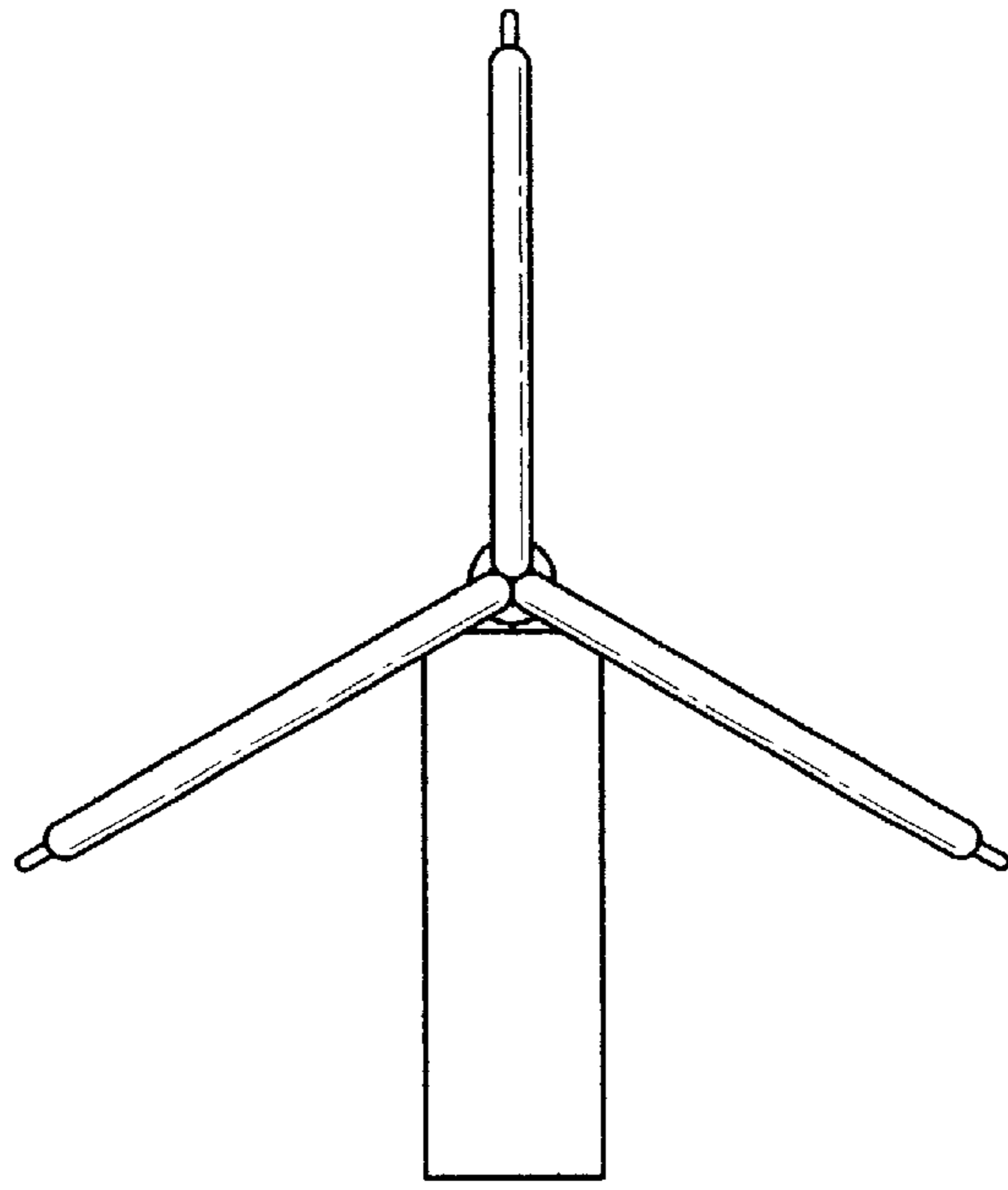
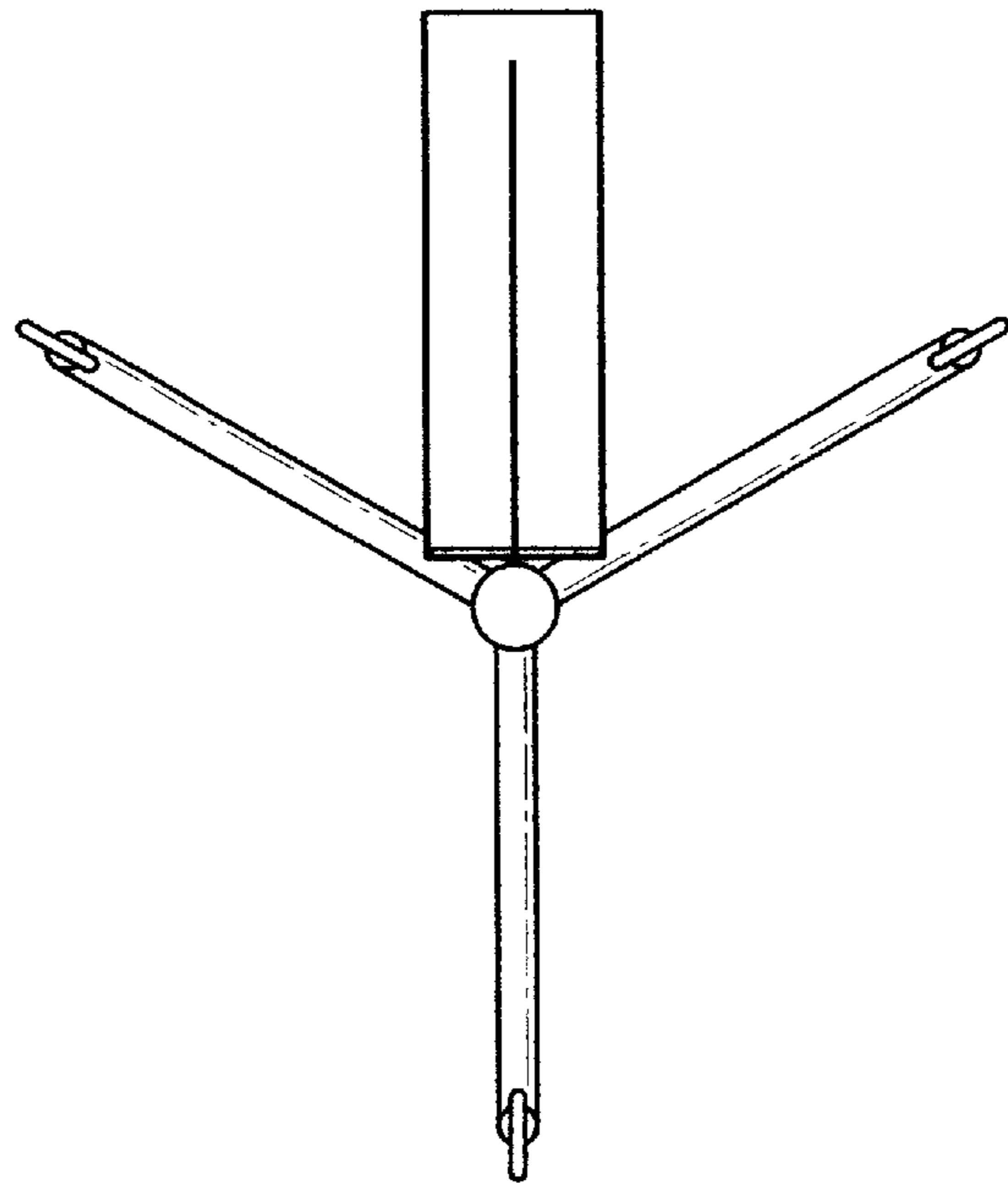


FIG. 4



**FIG. 5**



**FIG. 6**

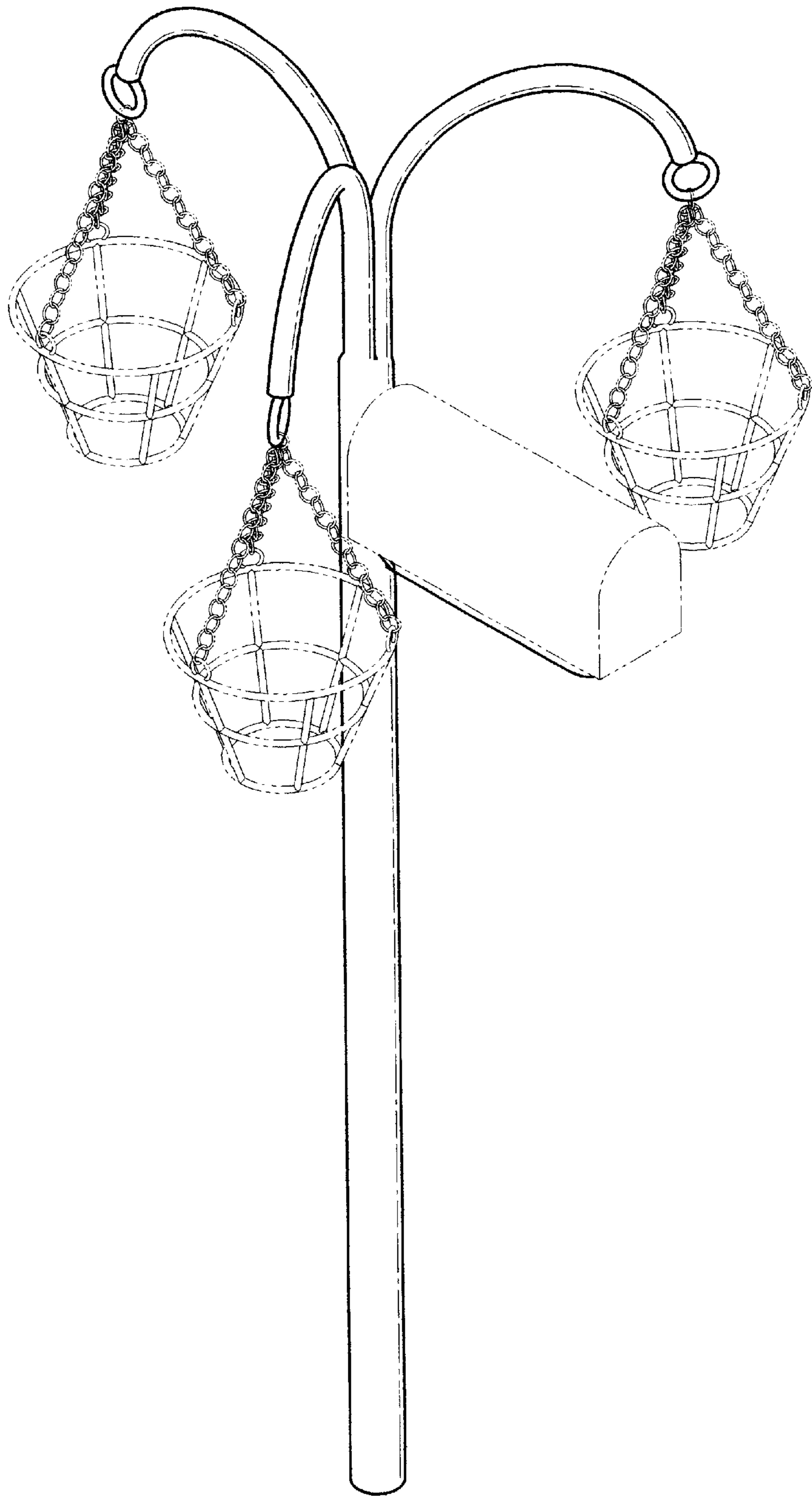


FIG. 7

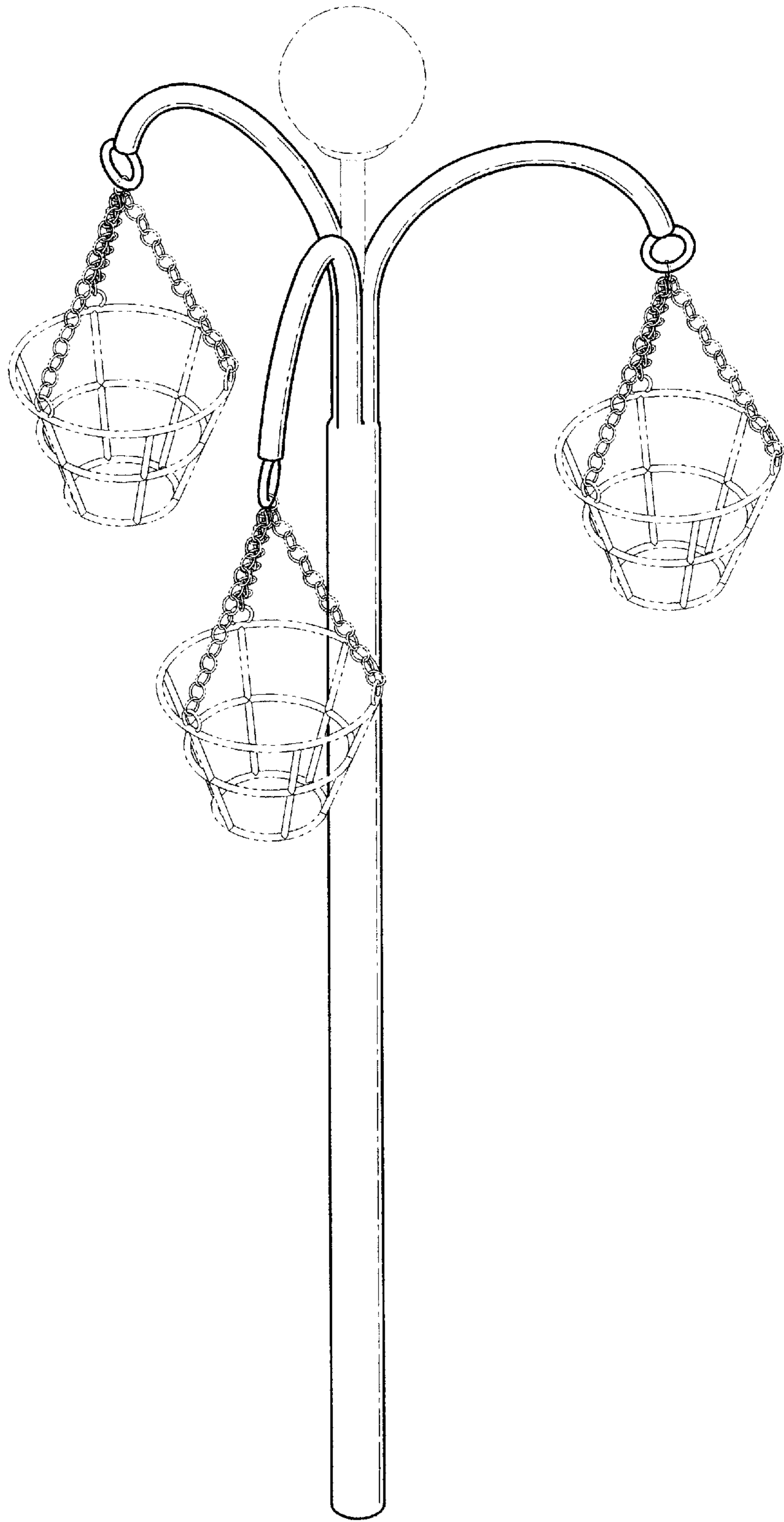


FIG. 8