



US00D452016B1

(12) **United States Design Patent**
Hall

(10) **Patent No.:** **US D452,016 S**

(45) **Date of Patent:** **** Dec. 11, 2001**

(54) **TRIM REVEAL ARM**

(75) **Inventor:** **A. McDowell Hall**, Roswell, GA (US)

(73) **Assignee:** **Fry Reglet Corporation**, Alhambra, CA (US)

(**) **Term:** **14 Years**

(21) **Appl. No.:** **29/122,637**

(22) **Filed:** **May 1, 2000**

(51) **LOC (7) Cl.** **25-01**

(52) **U.S. Cl.** **D25/121**

(58) **Field of Search** D25/55, 121, 58,
D25/119, 125; 52/484, 417, 456, 459, 463,
483, 488-489, 475, 495, 476, 502, 144,
145, 716-717, 813, 335

(56) **References Cited**

U.S. PATENT DOCUMENTS

D. 361,389 * 8/1995 Bischel D25/55
1,763,275 * 6/1930 Thomas 52/456

OTHER PUBLICATIONS

Drywall and Plaster Moldings, 09206/Fry, BuyLine 5034, Fry Reglet Corporation, p. 1-8, Aug. 1999.
Exhibits marked A and B are photographs of recessed moldings taken Mar., 2000.

* cited by examiner

Primary Examiner—Doris Clark

(74) *Attorney, Agent, or Firm*—Mitchell G. Stockwell, Esq.; Kristin D. Mallatt, Esq.; Kilpatrick Stockton LLP

(57) **CLAIM**

The ornamental design for a trim reveal arm, as shown and described.

DESCRIPTION

FIG. 1 is a perspective view of the new design for a trim reveal arm according to the present design in use in a wall; FIG. 2 is a cross-sectional view of the trim reveal arm of FIG. 4;

FIG. 3 is a perspective view showing one embodiment of a trim reveal arm according to the present design;

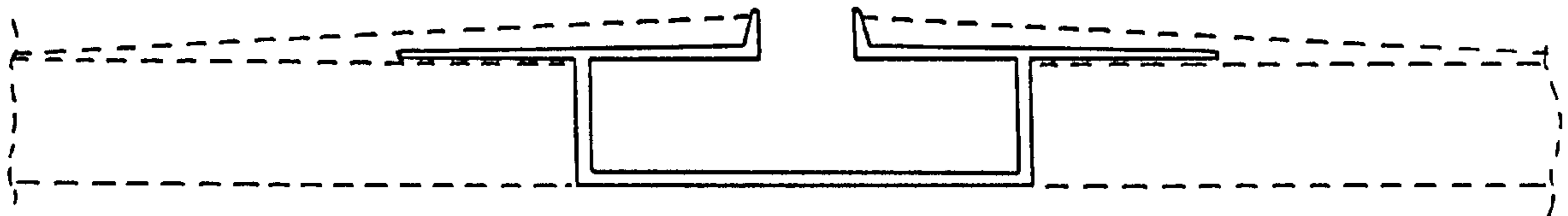
FIG. 4 is a bottom perspective view of the trim reveal arm of FIG. 7;

FIG. 5 is a front plan view of the trim reveal arm of FIG. 7; FIG. 6 is a top plan view of the trim reveal arm of FIG. 7; and,

FIG. 7 is a side plan view of the trim reveal arm of FIG. 7.

The broken lines in the drawings of the trim reveal arm are for illustrative purposes, and form no part of the claimed design. The jagged lines of the trim reveal arm indicate that the trim reveal may be of any length.

1 Claim, 3 Drawing Sheets



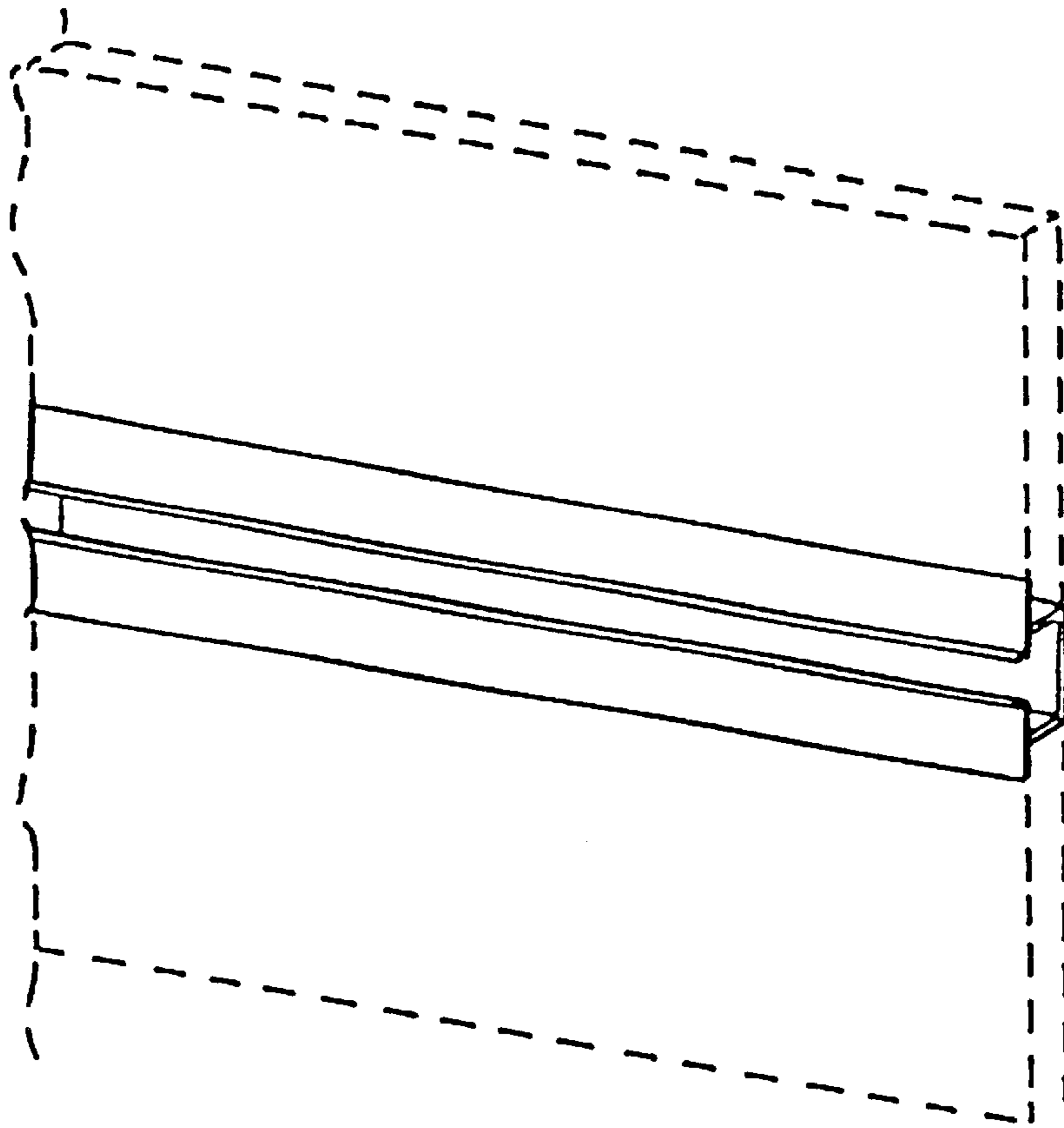


FIG. 1

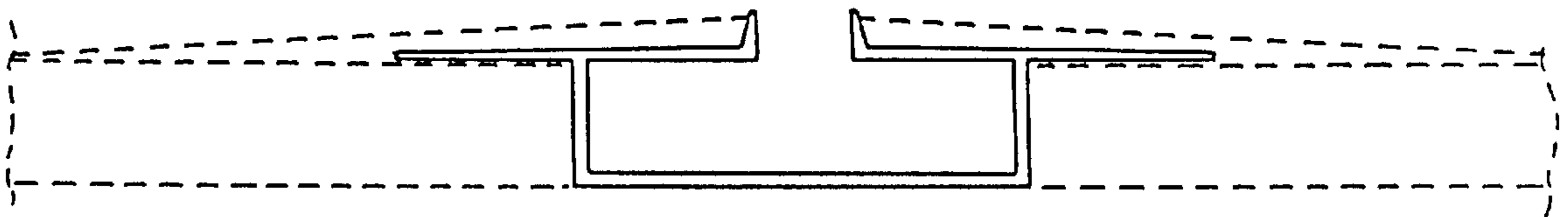


FIG. 2

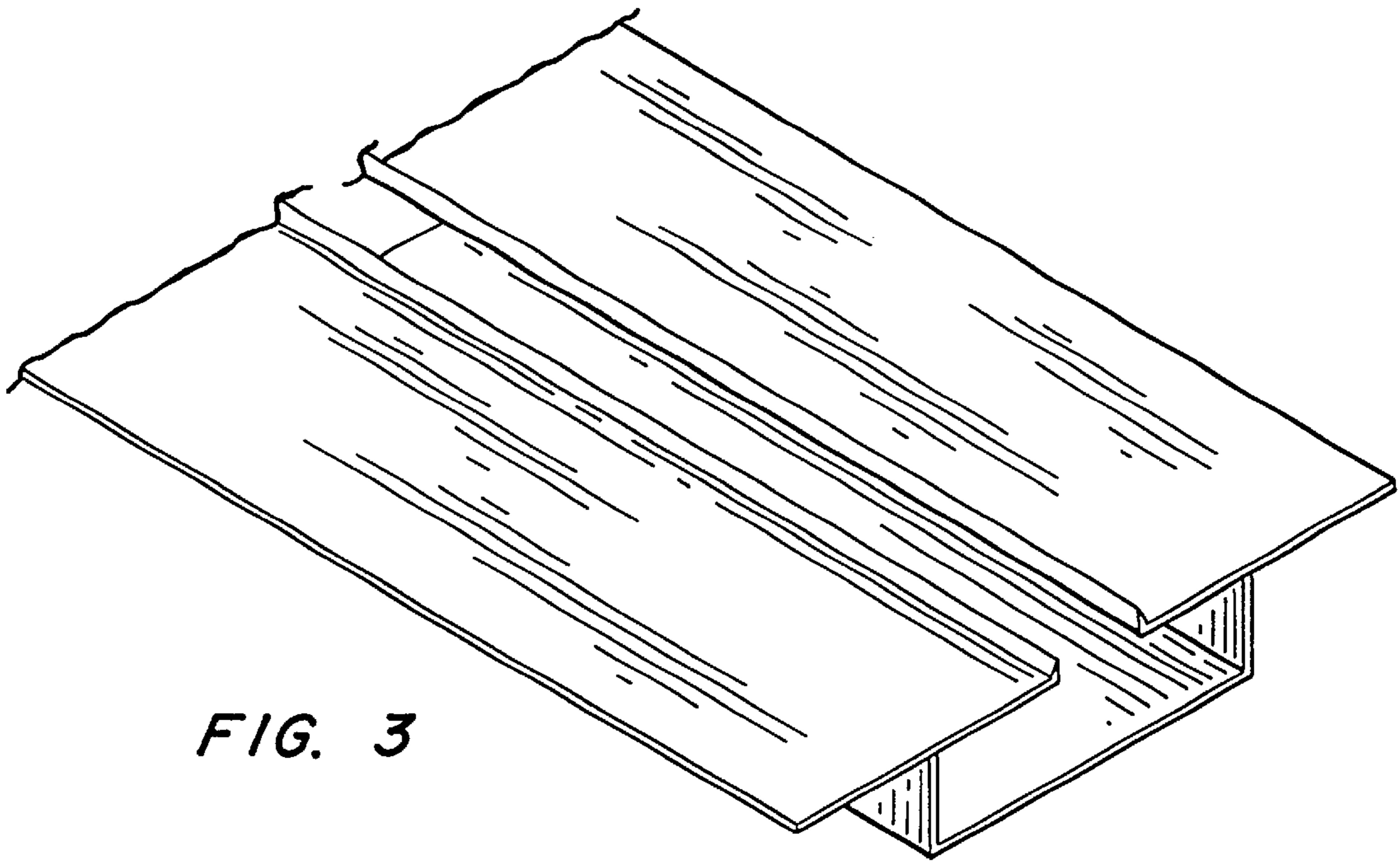


FIG. 3

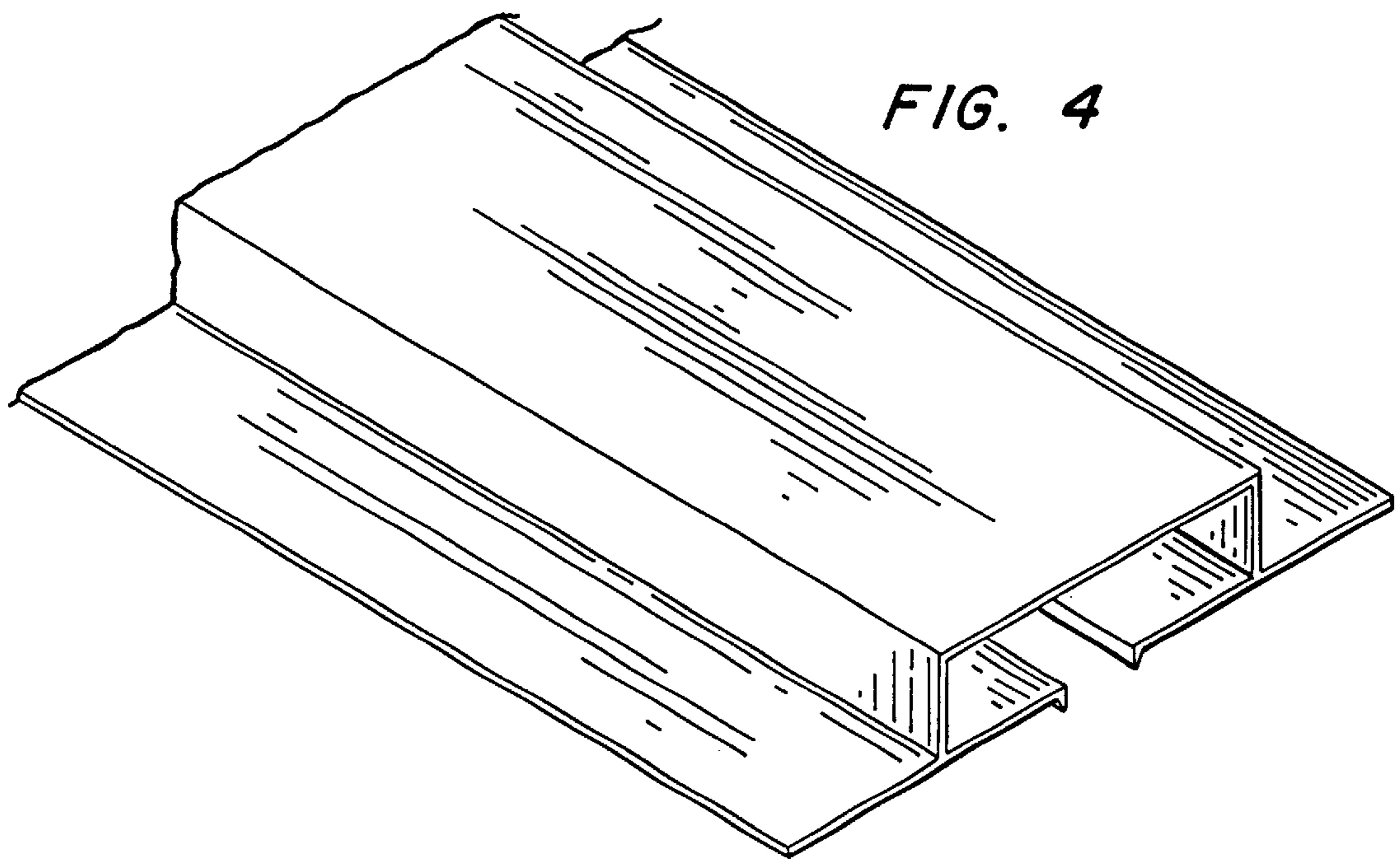


FIG. 4

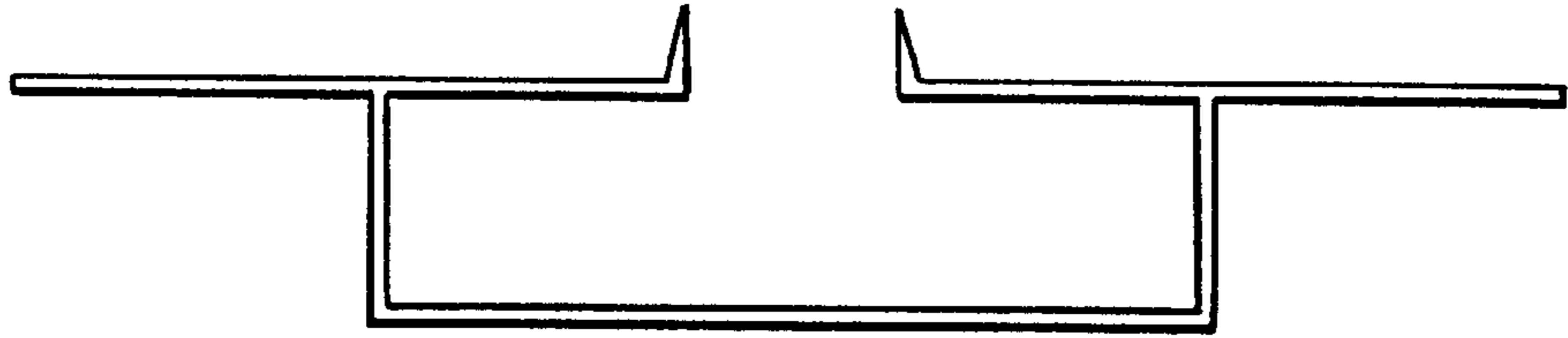


FIG. 5

FIG. 6

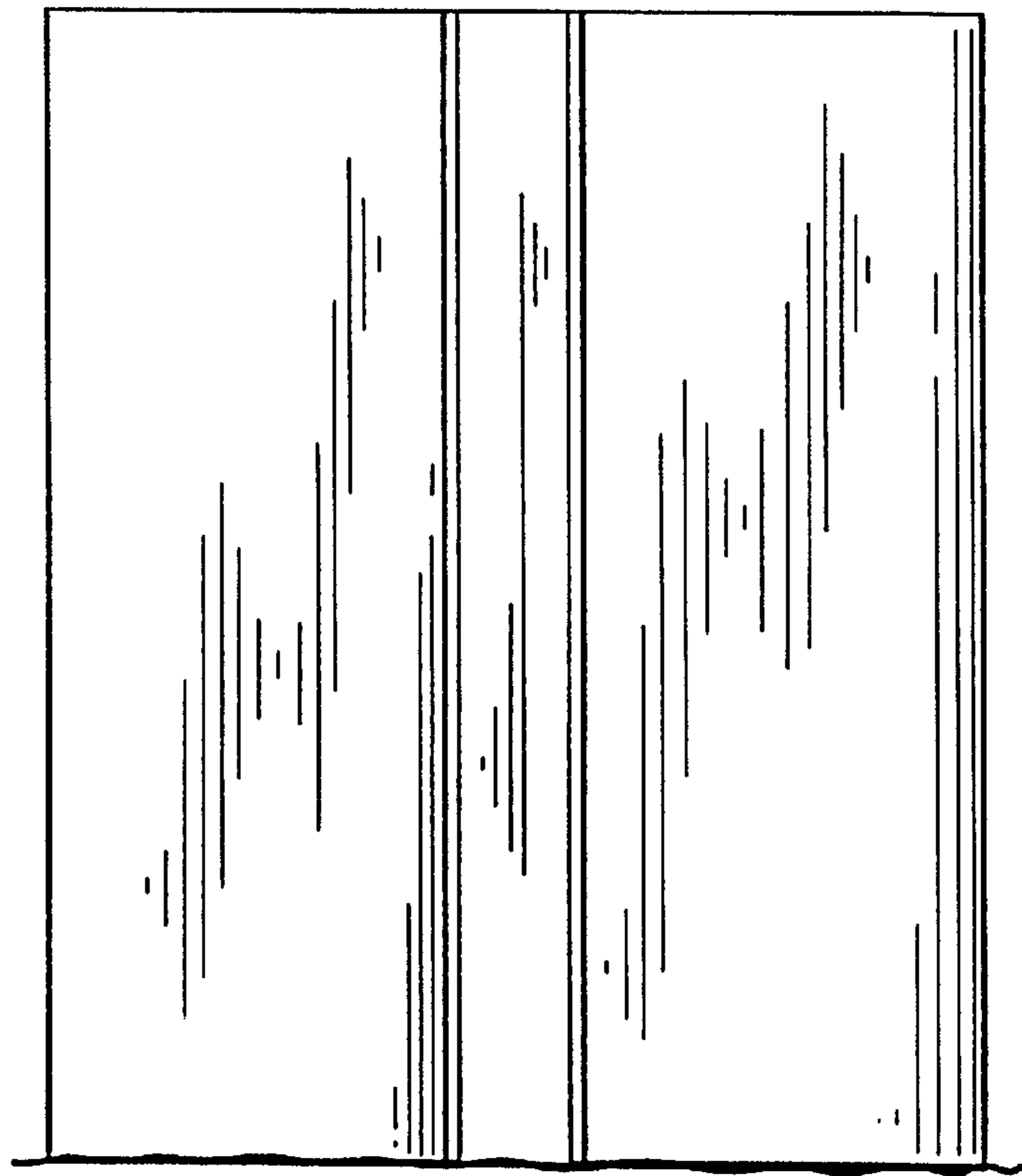


FIG. 7

