



US00D452004B1

(12) **United States Design Patent**
Baker et al.

(10) **Patent No.: US D452,004 S**

(45) **Date of Patent: ** *Dec. 11, 2001**

(54) **COMBINED SPECULUM FOR OBTURATOR FOR COLON HYDROTHERAPY**

5,860,916 * 1/1999 Pylant 600/208

* cited by examiner

(75) Inventors: **Stuart K. Baker; Mary Ruth Baker,**
both of Ocala, FL (US)

Primary Examiner—Ian Simmons

(74) *Attorney, Agent, or Firm*—Nixon & Vanderhye

(73) Assignee: **ClearWater Colon Hydrotherapy, Inc.,**
Ocala, FL (US)

(57) **CLAIM**

(*) Notice: This patent is subject to a terminal disclaimer.

The ornamental design for a “combined speculum and obturator for colon hydrotherapy,” as shown and described.

DESCRIPTION

(**) Term: **14 Years**

FIG. 1 is a perspective view of a combined speculum and obturator for colon hydrotherapy according to our design and illustrated in a separated condition;

(21) Appl. No.: **29/133,216**

FIG. 2 is a perspective view of the speculum and obturator in a combined position;

(22) Filed: **Nov. 27, 2000**

(51) **LOC (7) Cl.** **24-02**

FIG. 3 is a front elevational view of the speculum hereof, the rear elevational view being a mirror image thereof;

(52) **U.S. Cl.** **D24/135**

(58) **Field of Search** D24/112, 135;
604/275, 276, 227, 33, 288, 246; 600/194,
208, 235, 210, 29, 563

FIG. 4 is a side elevational view of the speculum, the opposite side being a mirror image thereof;

FIG. 5 is a top plan view of the speculum;

FIG. 6 is a bottom plan view of the speculum;

(56) **References Cited**

U.S. PATENT DOCUMENTS

D. 385,628	10/1997	Echevarria .	
2,458,719	* 4/1949	McCormick 604/33
3,132,645	* 5/1964	Gaspar D24/135
4,712,536	* 12/1987	Hawks 600/184
4,842,580	* 6/1989	Ouelette 600/563
4,943,285	* 7/1990	Hawks 604/275

FIG. 7 is a front elevational view of the obturator hereof;

FIG. 8 is a side elevational view of the obturator, the opposite side being a mirror image thereof;

FIG. 9 is a rear elevational view of the obturator hereof;

FIG. 10 is a top plan view of the obturator of FIGS. 7-9; and,

FIG. 11 is a bottom plan view thereof.

1 Claim, 4 Drawing Sheets

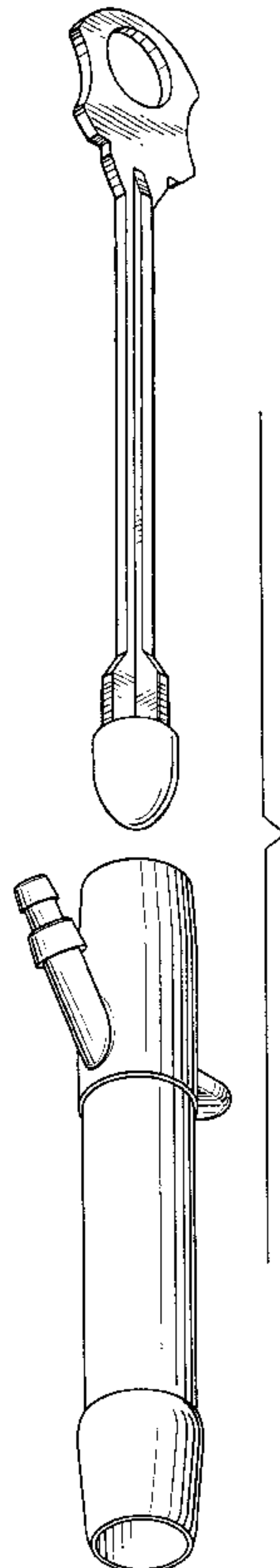


FIG. 1

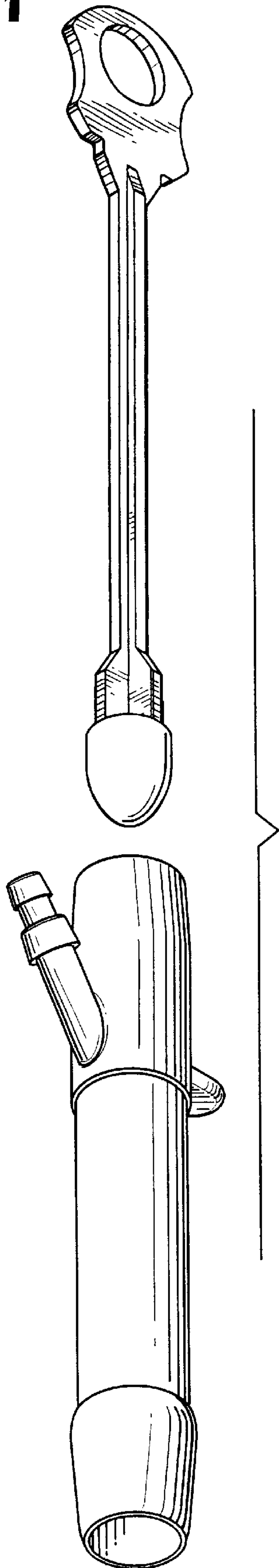


FIG. 2

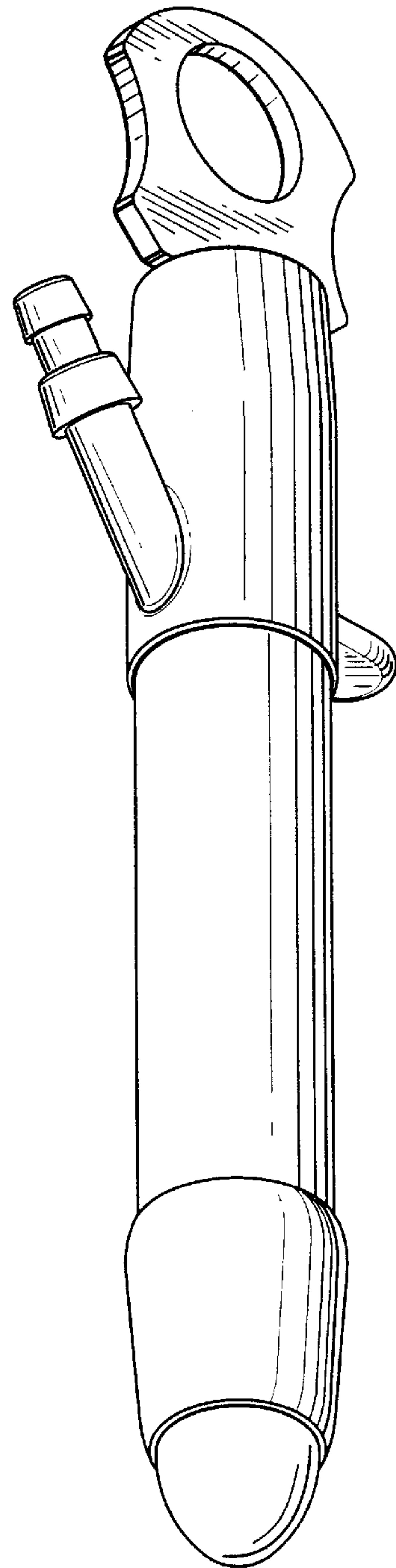


FIG. 3

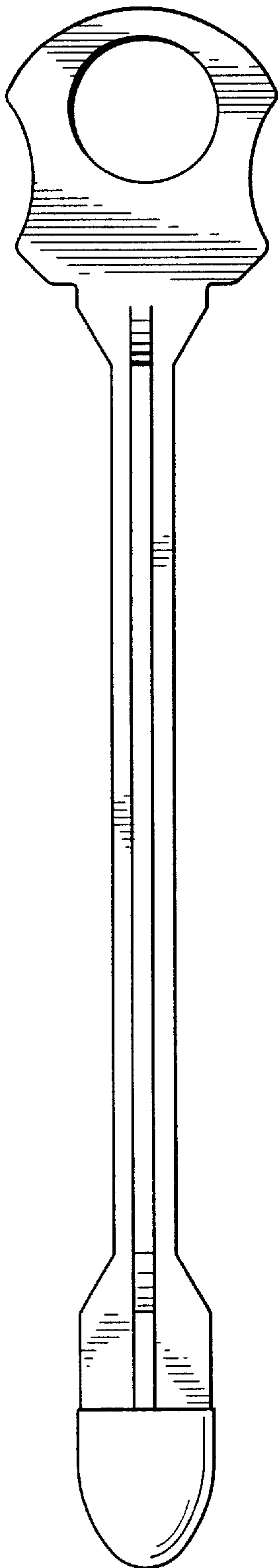


FIG. 4

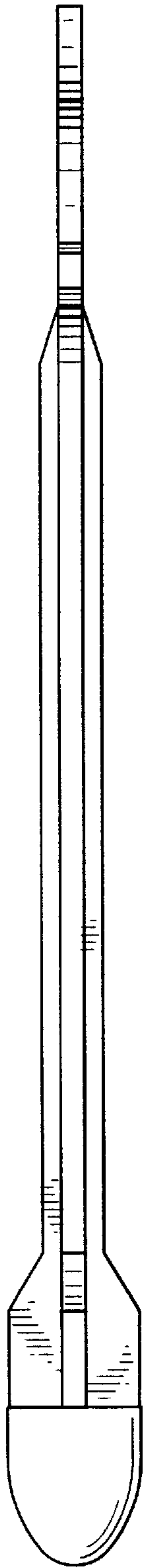


FIG. 5

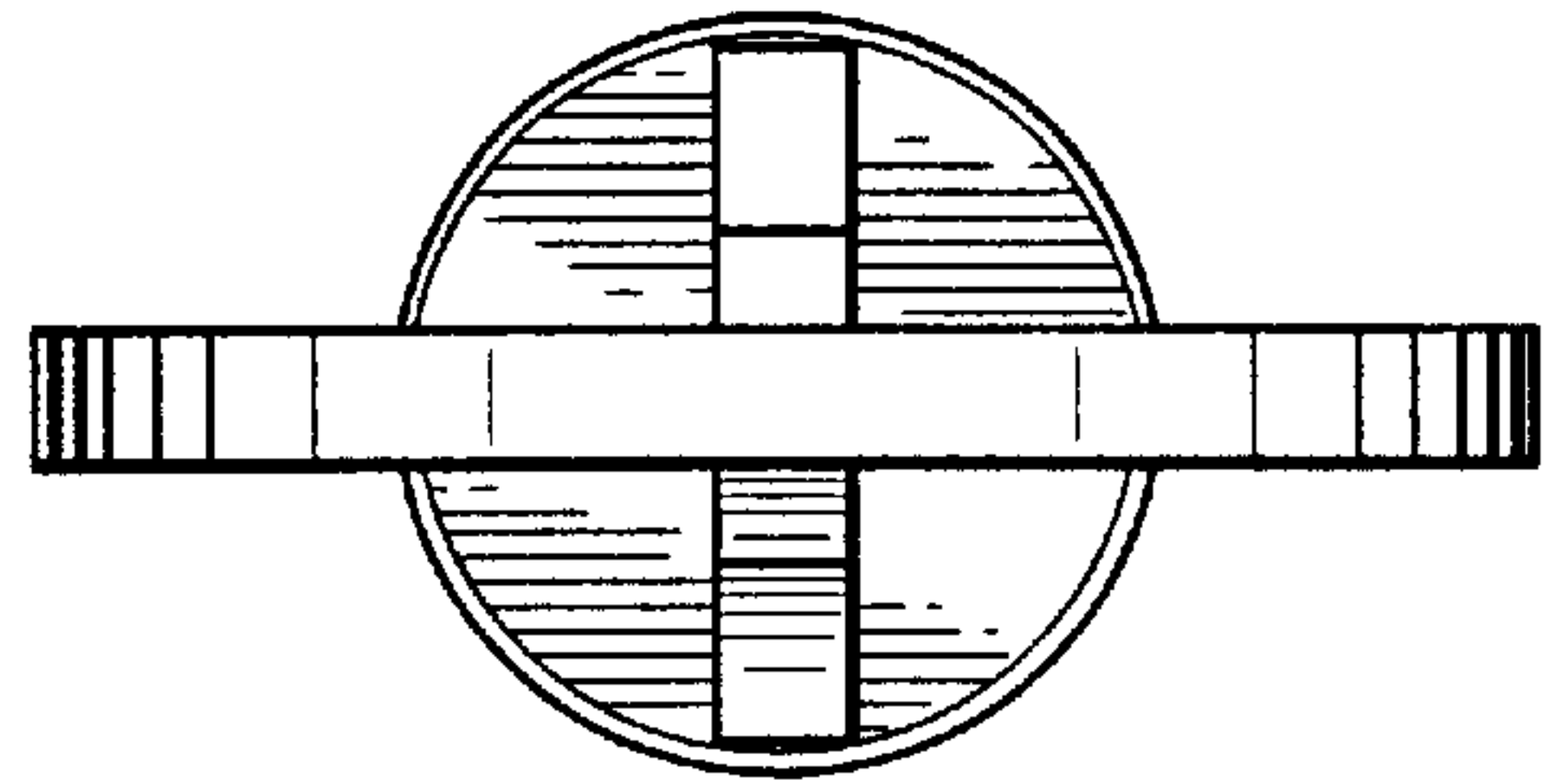


FIG. 6

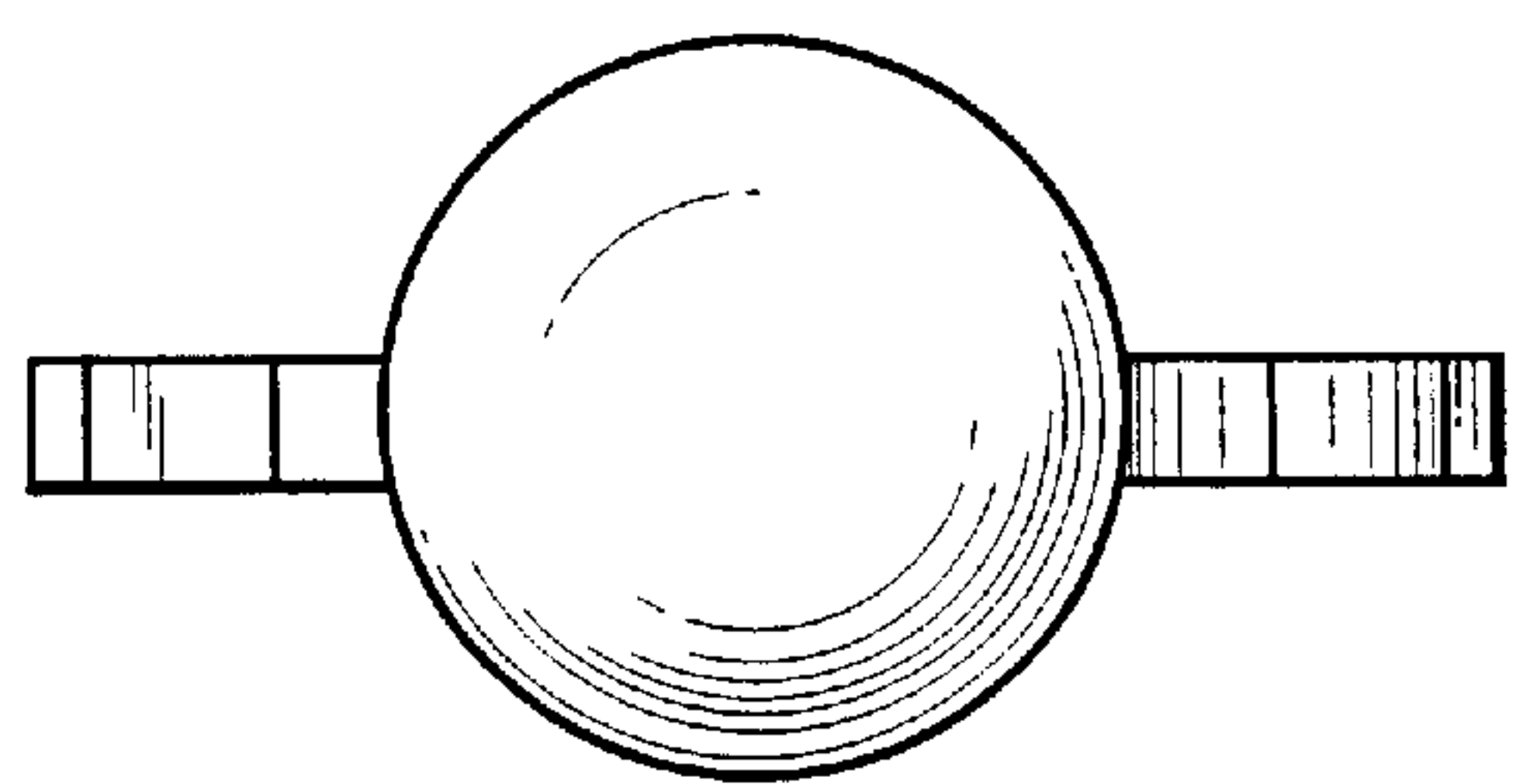


FIG. 7

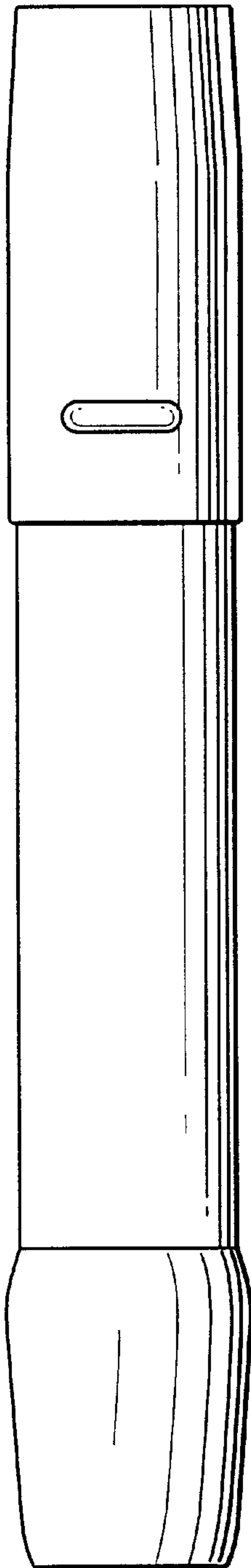


FIG. 8

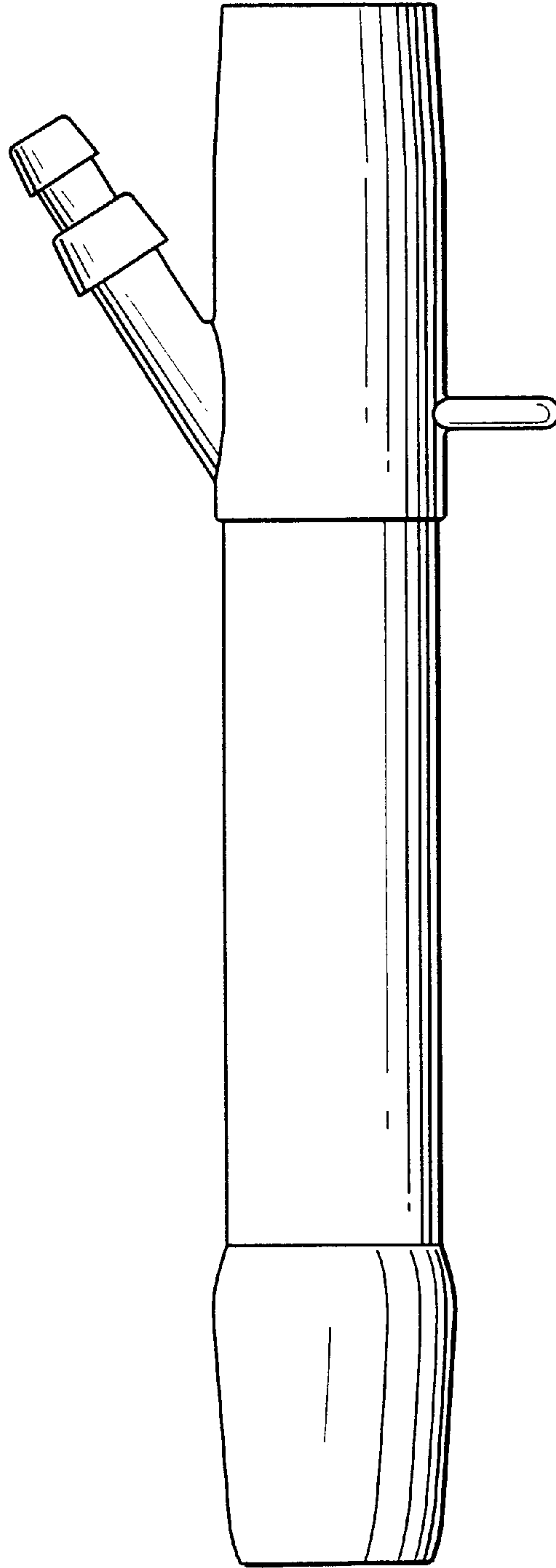


FIG. 9

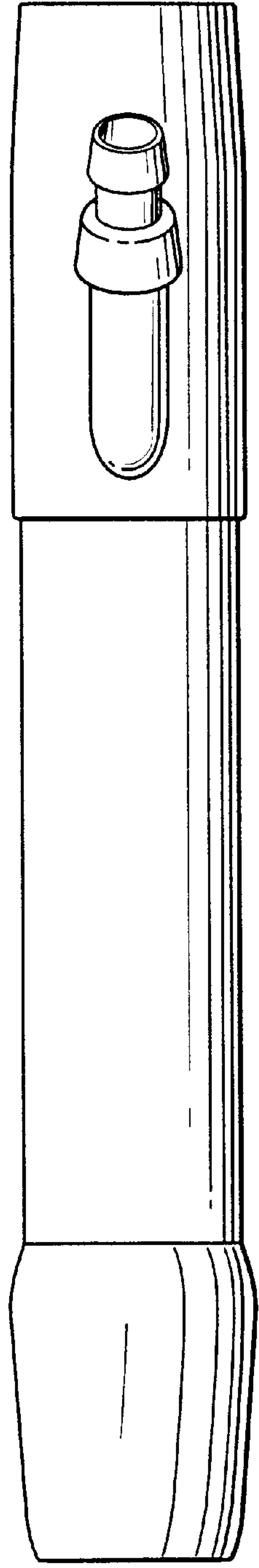


FIG. 10

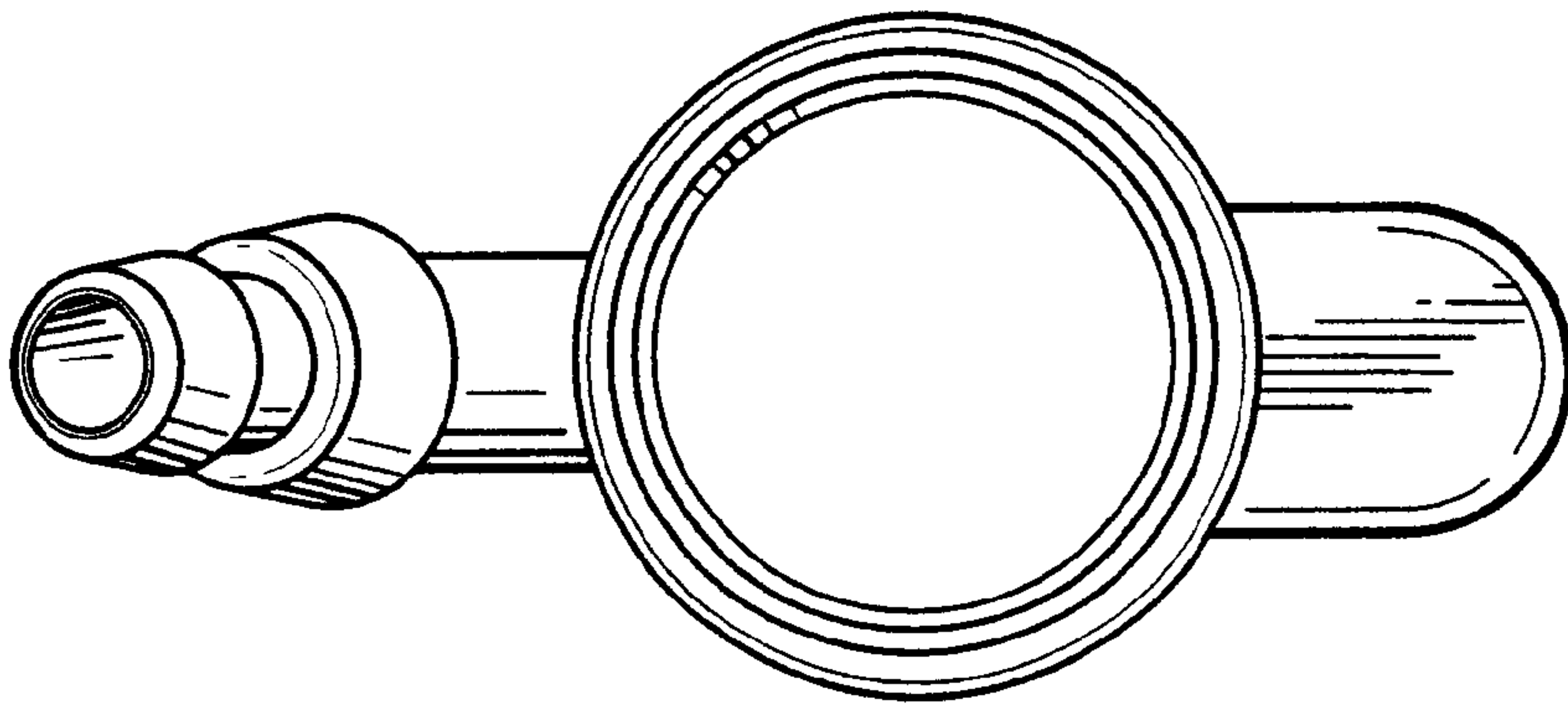


FIG. 11

