



US00D452001B1

(12) **United States Design Patent**  
**Crawford et al.**

(10) **Patent No.:** **US D452,001 S**

(45) **Date of Patent:** **\*\* Dec. 11, 2001**

(54) **NEEDLE ASSEMBLY**

(75) Inventors: **Jamieson William Maclean Crawford**,  
New York, NY (US); **Stefanie Livanos**,  
Bethlehem, PA (US)

(73) Assignee: **Becton, Dickinson and Company**,  
Franklin Lakes, NJ (US)

(\*\*) Term: **14 Years**

(21) Appl. No.: **29/135,123**

(22) Filed: **Jan. 5, 2001**

(51) **LOC (7) Cl.** ..... **24-02**

(52) **U.S. Cl.** ..... **D24/112; D24/130**

(58) **Field of Search** ..... D24/112, 130,  
D24/146, 128, 147; 604/198, 177, 190,  
263, 165.08, 165.03, 164.08, 164.07, 164.04,  
164.03, 180, 178, 164.01, 165.04, 174

(56) **References Cited**

U.S. PATENT DOCUMENTS

5,549,571 \* 8/1996 Sak ..... 604/177

5,746,215 \* 5/1998 Manjarrez ..... 604/198

5,779,679 \* 7/1998 Shaw ..... 604/177

6,210,371 \* 4/2001 Shaw ..... 604/164.08

\* cited by examiner

*Primary Examiner*—Ian Simmons

(74) *Attorney, Agent, or Firm*—Nanette S. Thomas

(57) **CLAIM**

The ornamental design of a needle assembly, as shown and described.

**DESCRIPTION**

FIG. 1 is a perspective view of the needle assembly;

FIG. 2 is a top plan view thereof;

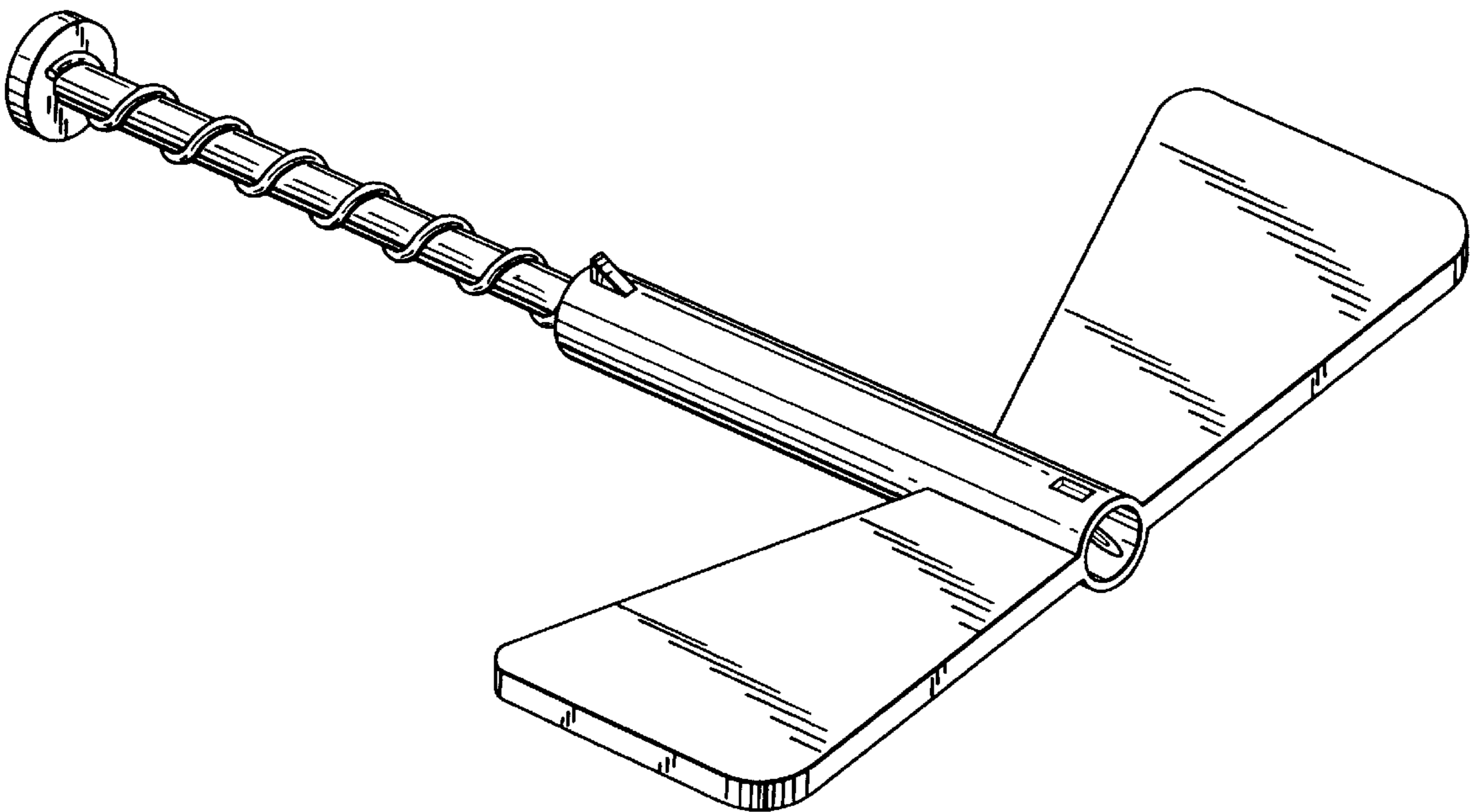
FIG. 3 is an end elevational view as viewed from the right of FIG. 2;

FIG. 4 is a right side elevational view thereof, with the left side elevational view being a mirror image thereof;

FIG. 5 is an end elevational view as viewed from the left of FIG. 2; and,

FIG. 6 is a bottom plan view thereof.

**1 Claim, 3 Drawing Sheets**



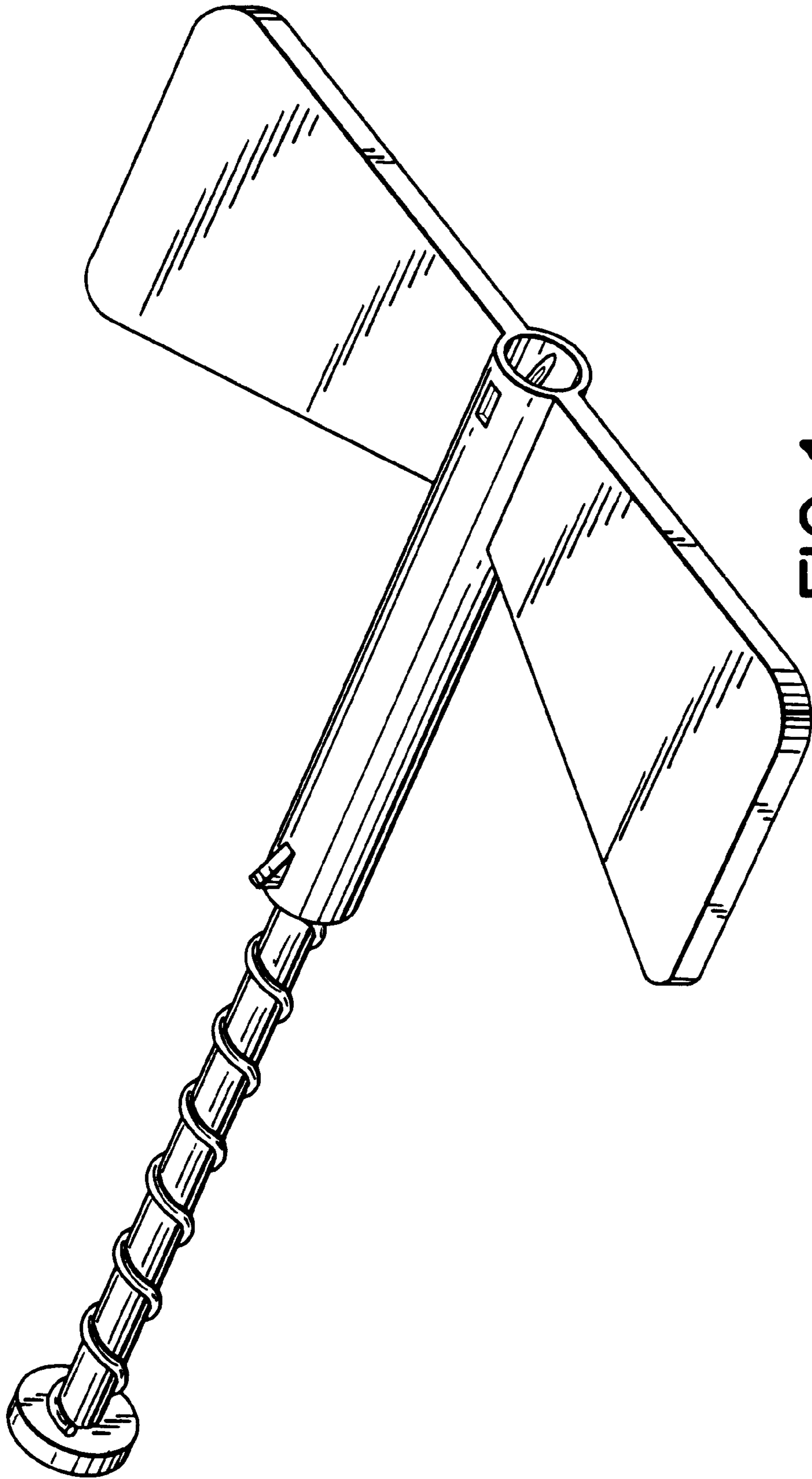


FIG. 1

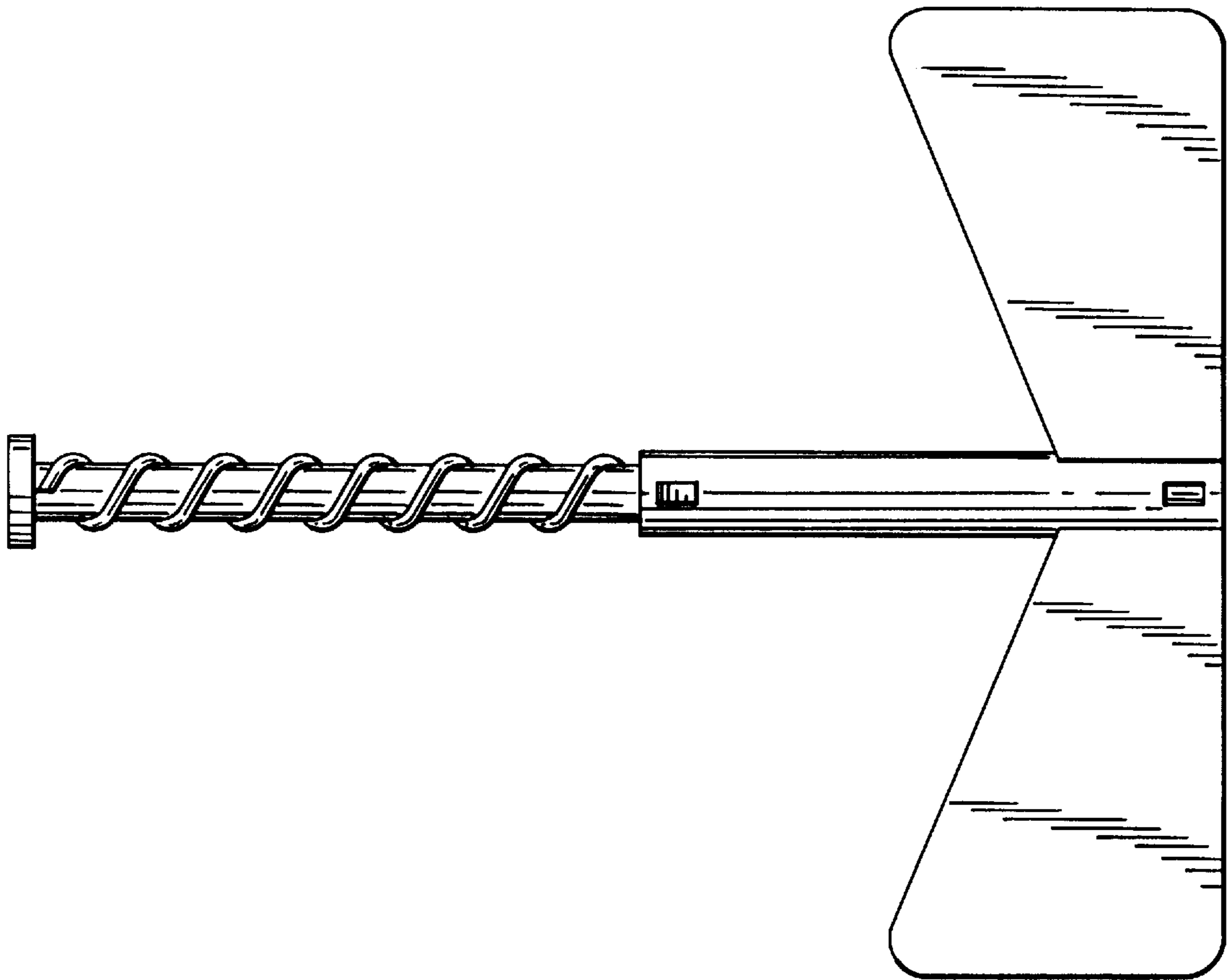


FIG. 2

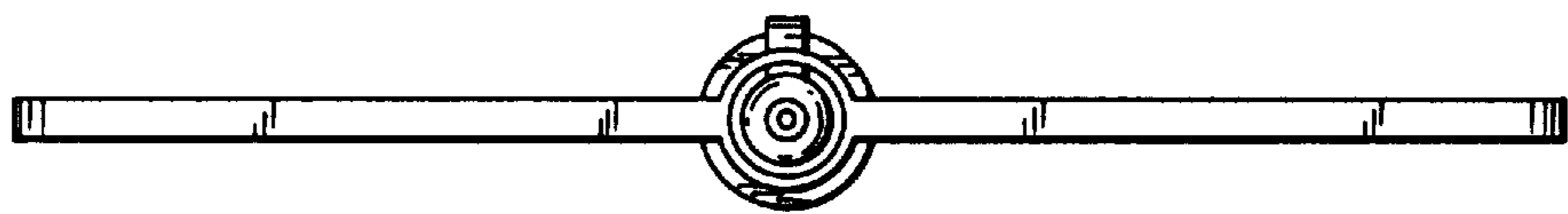


FIG. 3

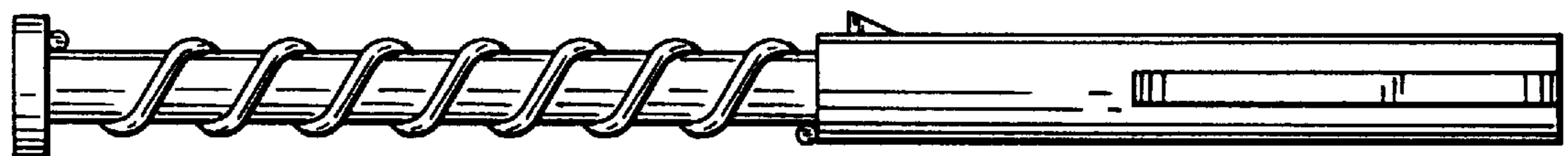


FIG. 4

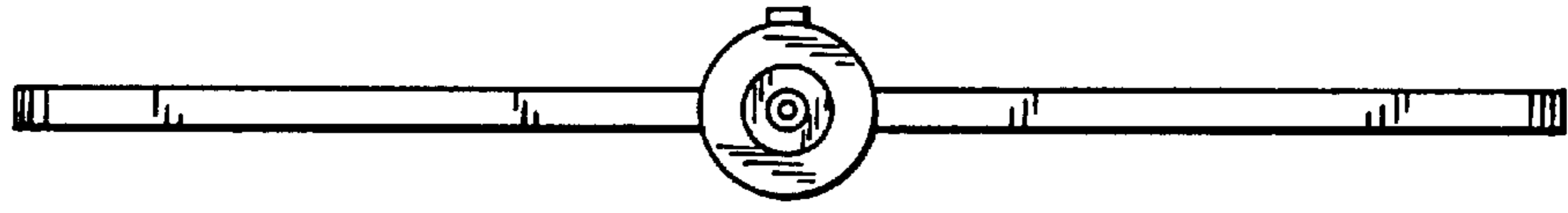


FIG. 5

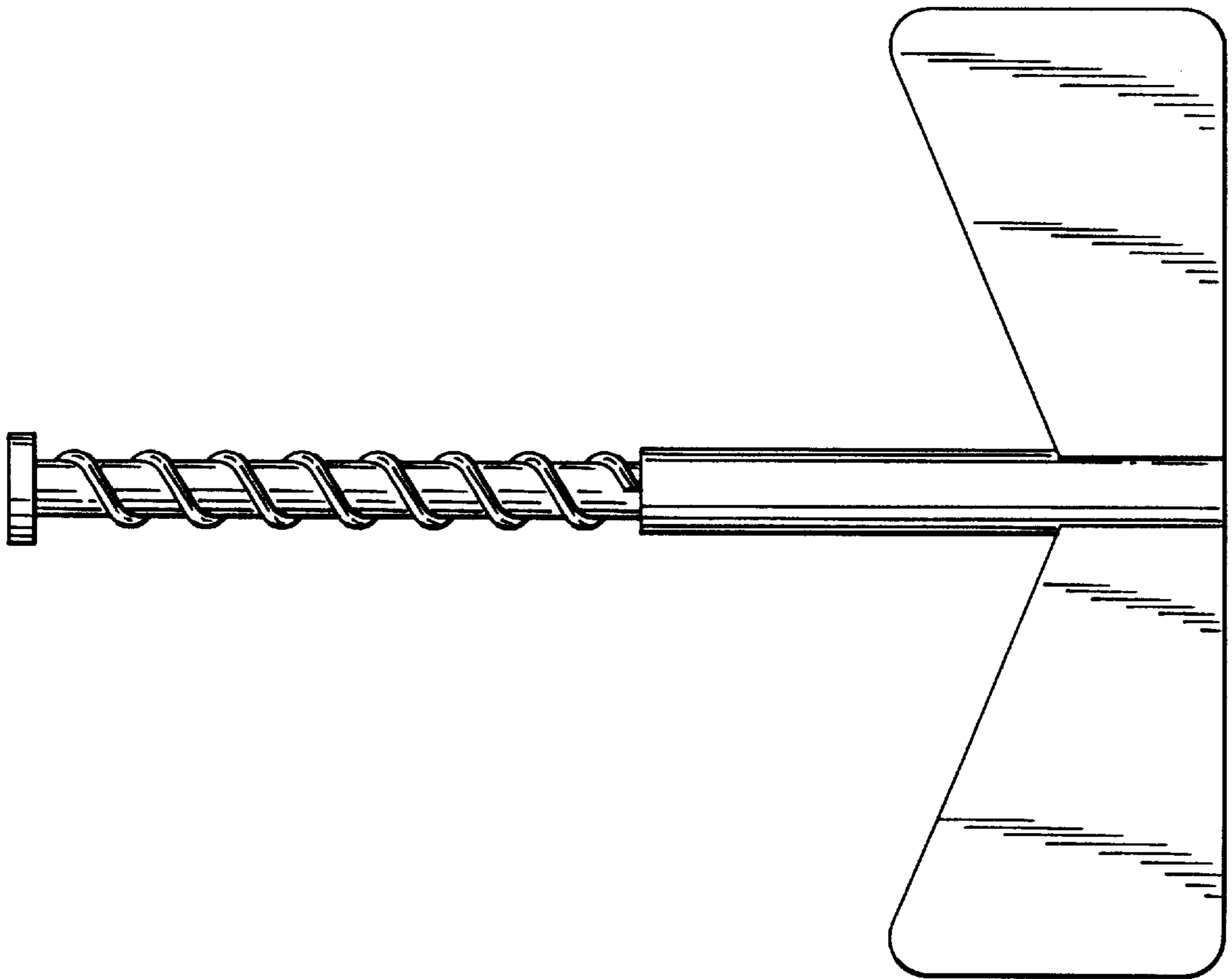


FIG. 6