



US00D452000B1

(12) **United States Design Patent**
Crawford et al.

(10) **Patent No.: US D452,000 S**

(45) **Date of Patent: ** Dec. 11, 2001**

(54) **NEEDLE ASSEMBLY**

5,746,215 * 5/1998 Manjarrez 604/198

5,779,679 * 7/1998 Shaw 604/177

6,210,371 * 4/2001 Shaw 604/164.08

(75) Inventors: **Jamieson William Maclean Crawford**,
New York, NY (US); **Stefanie Livanos**,
Bethlehem, PA (US)

* cited by examiner

(73) Assignee: **Becton, Dickinson and Company**,
Franklin Lakes, NJ (US)

Primary Examiner—Ian Simmons

(74) *Attorney, Agent, or Firm*—Nanette S. Thomas

(**) Term: **14 Years**

(57) **CLAIM**

The ornamental design of a needle assembly, as shown and described.

(21) Appl. No.: **29/135,098**

(22) Filed: **Jan. 5, 2001**

DESCRIPTION

(51) **LOC (7) Cl.** **24-02**

FIG. 1 is a perspective view of the needle assembly;

(52) **U.S. Cl.** **D24/112; D24/130**

FIG. 2 is a top plan view thereof;

(58) **Field of Search** D24/112, 130,
D24/128, 146; 604/177, 174, 164.04, 164.08,
165.03, 164.01, 165.04, 198, 180, 170,
164.7

FIG. 3 is an end elevational view as viewed from the right of FIG. 2;

FIG. 4 is a right side elevational view thereof, with the left side elevational view being a mirror image thereof;

FIG. 5 is an end elevational view as viewed from the left of FIG. 2; and,

FIG. 6 is a bottom plan view thereof.

(56) **References Cited**

U.S. PATENT DOCUMENTS

5,549,571 * 8/1996 Sak 604/177

1 Claim, 2 Drawing Sheets

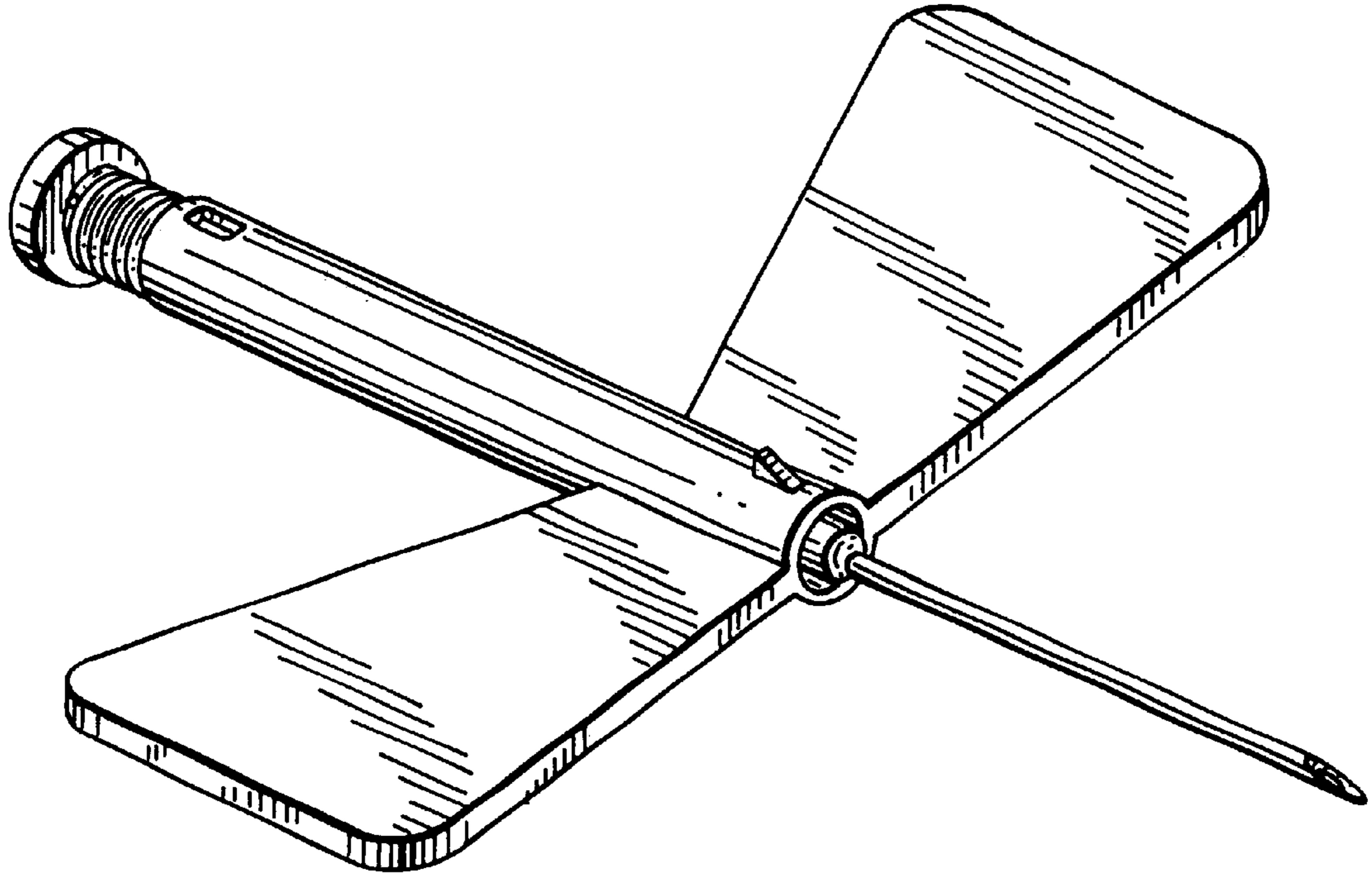


FIG. 1

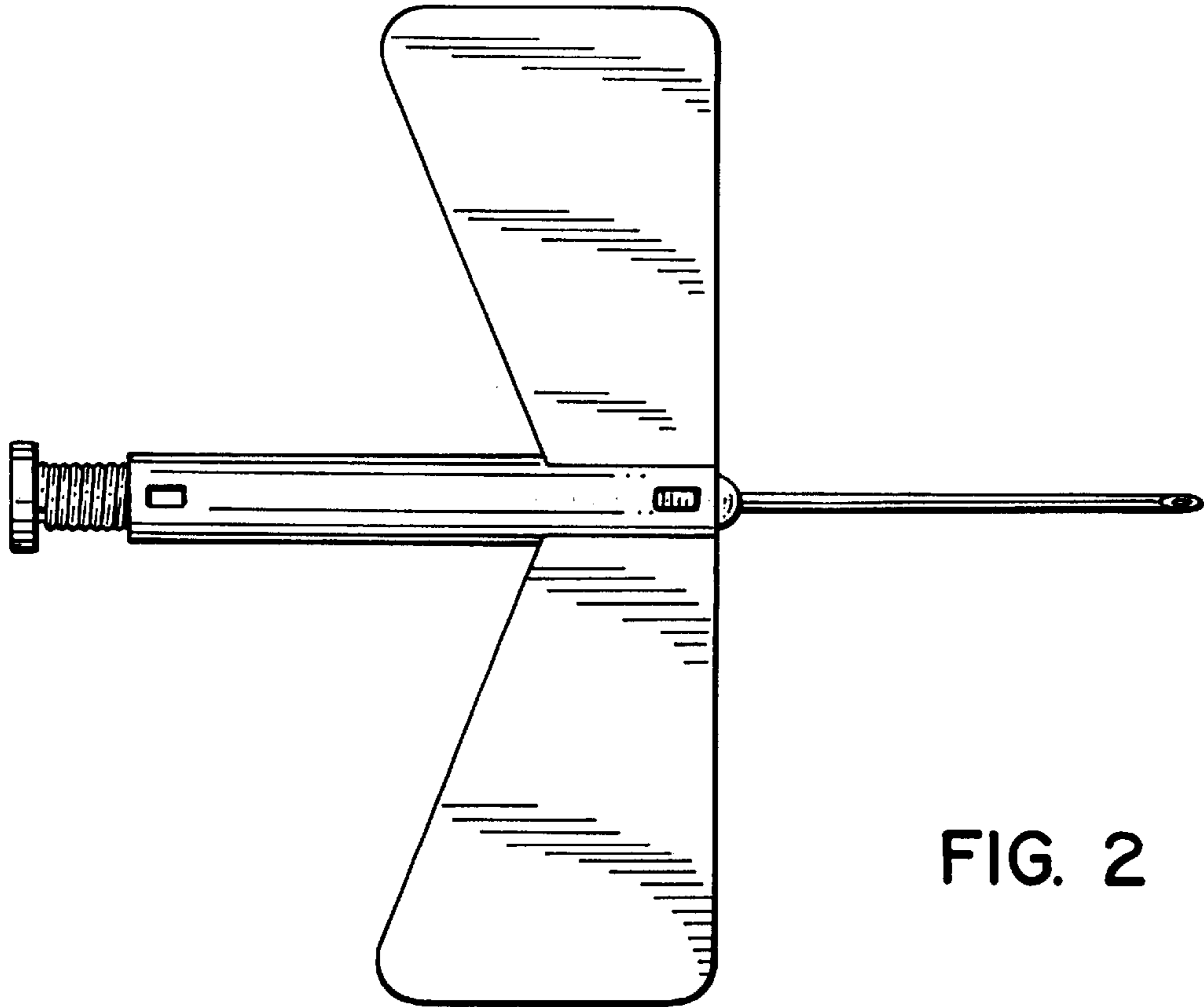
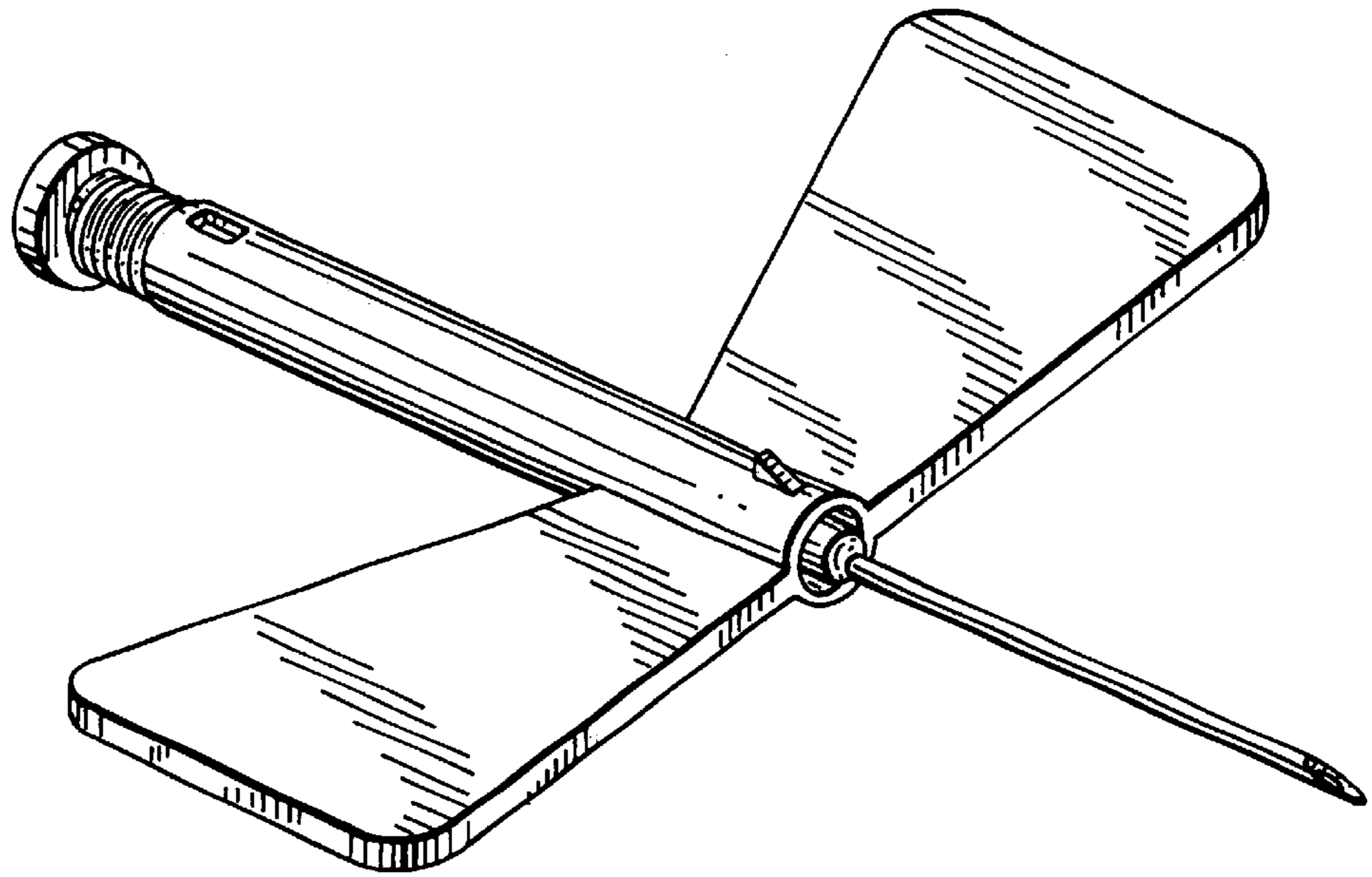


FIG. 2

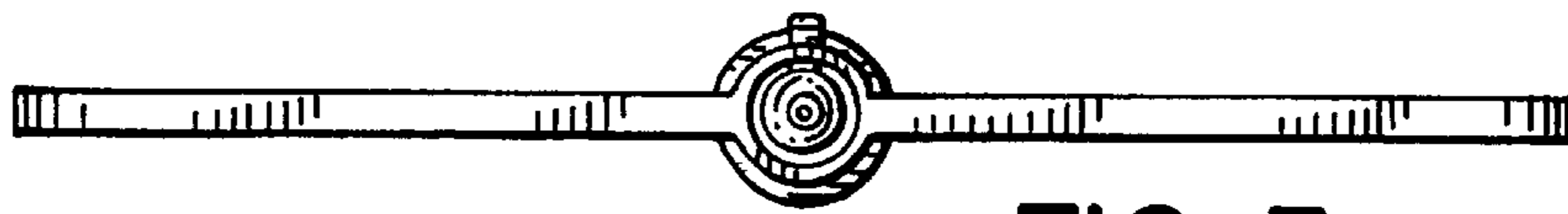


FIG. 3



FIG. 4

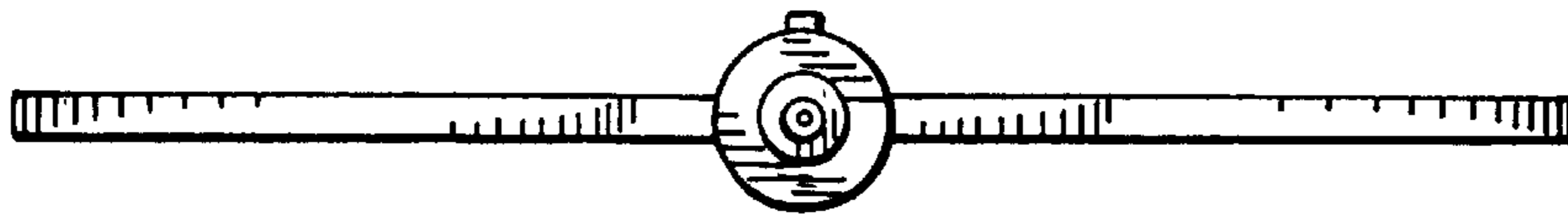


FIG. 5

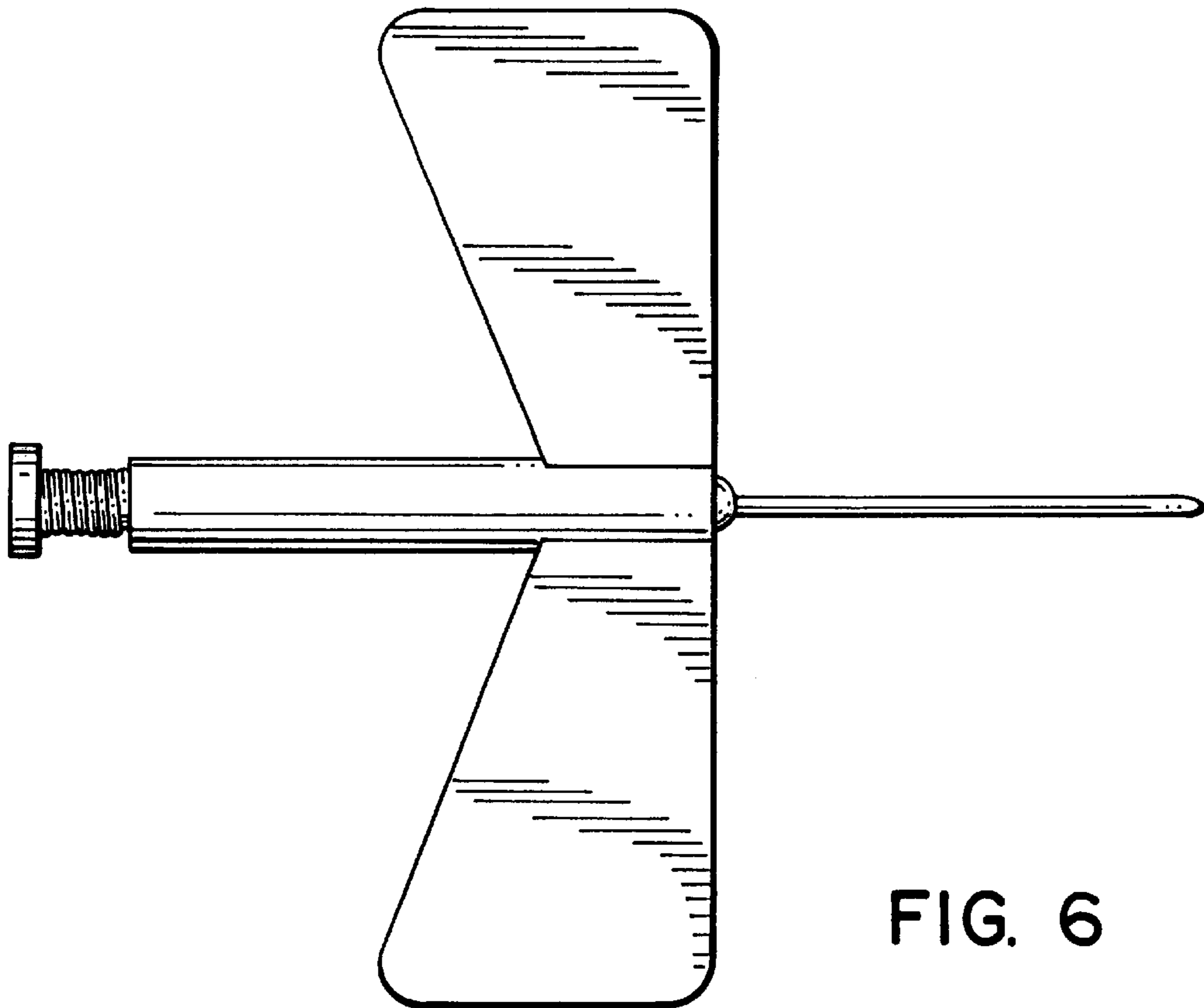


FIG. 6