



US00D451998B1

(12) **United States Design Patent**  
**Crawford et al.**

(10) **Patent No.:** **US D451,998 S**

(45) **Date of Patent:** **\*\* Dec. 11, 2001**

(54) **NEEDLE ASSEMBLY**

(75) Inventors: **Jamieson William Maclean Crawford,**  
New York, NY (US); **Stefanie Livanos,**  
Bethlehem, PA (US)

(73) Assignee: **Becton, Dickinson and Company,**  
Franklin Lakes, NJ (US)

(\*\*) Term: **14 Years**

(21) Appl. No.: **29/135,071**

(22) Filed: **Jan. 5, 2001**

(51) **LOC (7) Cl.** ..... **24-02**

(52) **U.S. Cl.** ..... **D24/112; D24/130**

(58) **Field of Search** ..... D24/112, 130,  
D24/146, 128, 147; 604/177, 198, 263,  
190, 178, 165.08, 165.03, 164.08, 164.07,  
164.04, 164.03, 180, 104.01, 165.04, 174

(56) **References Cited**

**U.S. PATENT DOCUMENTS**

D. 408,530 \* 4/1999 Eliasen et al. .... D24/112  
2,725,058 \* 11/1955 Rathkey ..... 604/177

4,326,519 \* 4/1982 D'Alo et al. .... D24/112

5,108,376 \* 4/1992 Bonaldo ..... 604/177

5,120,320 \* 6/1992 Fayngold ..... 604/177

5,192,275 \* 3/1993 Burns ..... 604/263

\* cited by examiner

*Primary Examiner*—Ian Simmons

(74) *Attorney, Agent, or Firm*—Nanette S. Thomas

(57) **CLAIM**

The ornamental design of a needle assembly, as shown and described.

**DESCRIPTION**

FIG. 1 is a perspective view of the needle assembly;

FIG. 2 is a top plan view thereof;

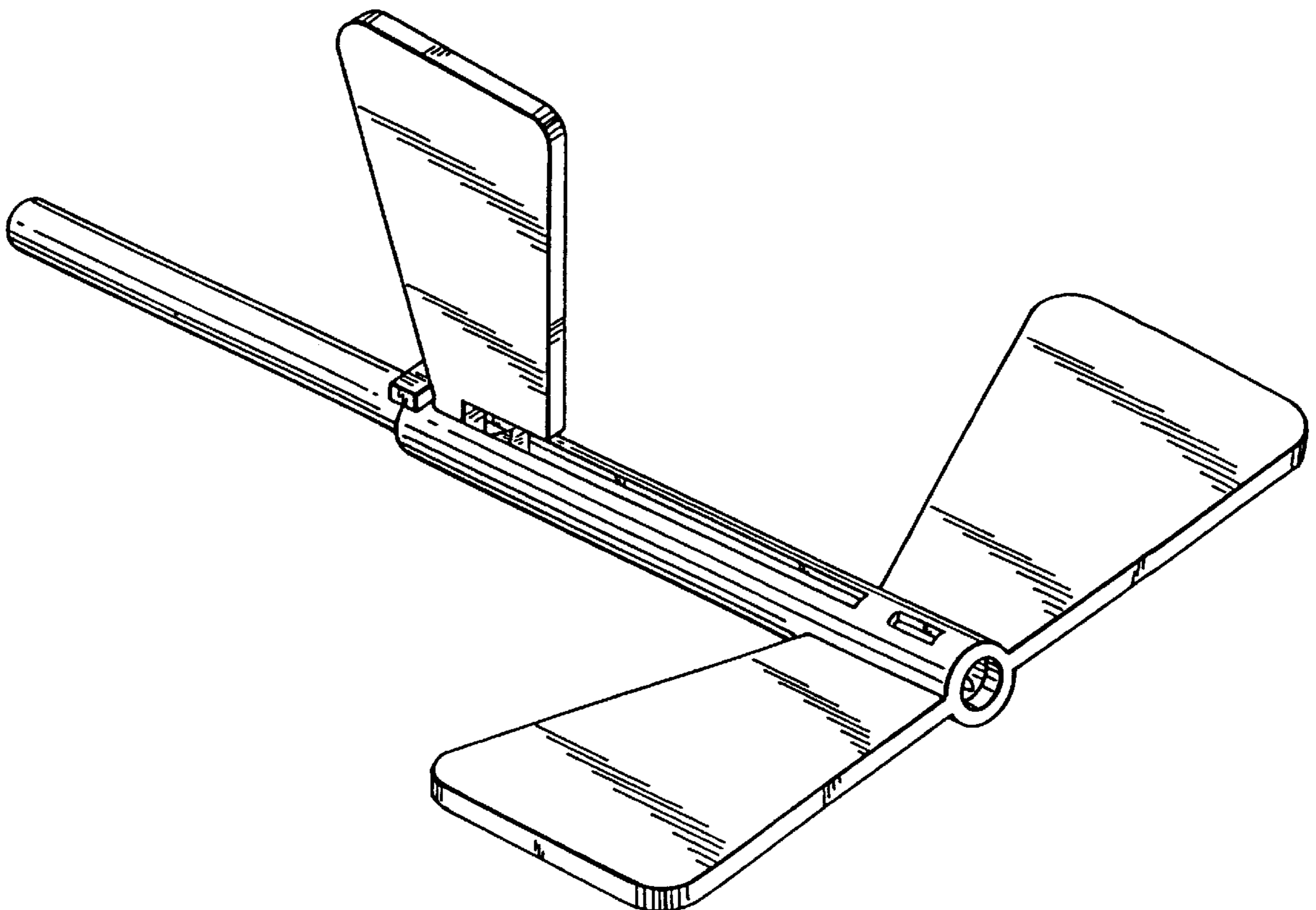
FIG. 3 is an end elevational view as viewed from the right of FIG. 2;

FIG. 4 is a right side elevational view thereof, with the left side elevational view being a mirror image thereof;

FIG. 5 is an end elevational view as viewed from the left of FIG. 2; and,

FIG. 6 is a bottom plan view thereof.

**1 Claim, 4 Drawing Sheets**



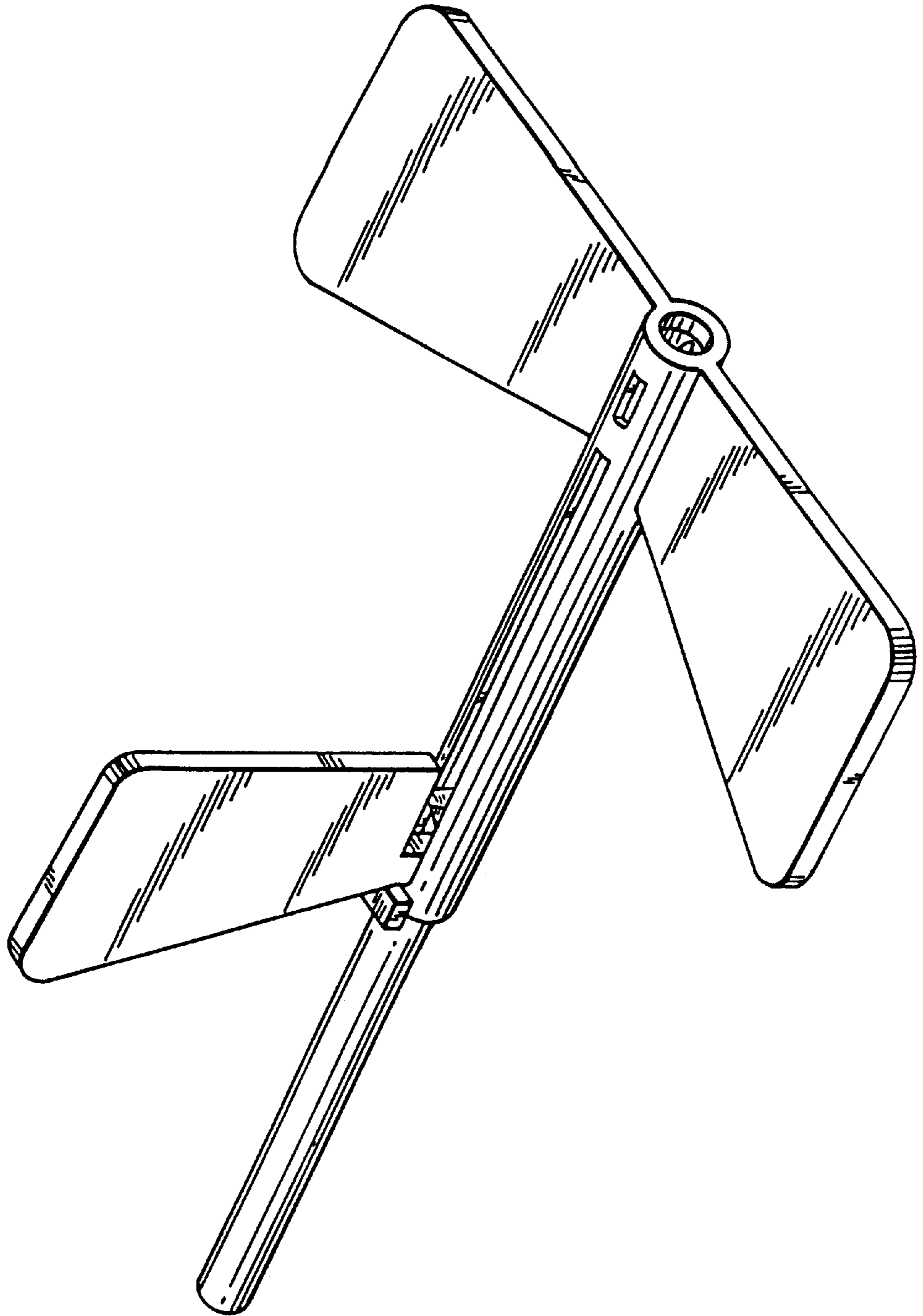


FIG. 1

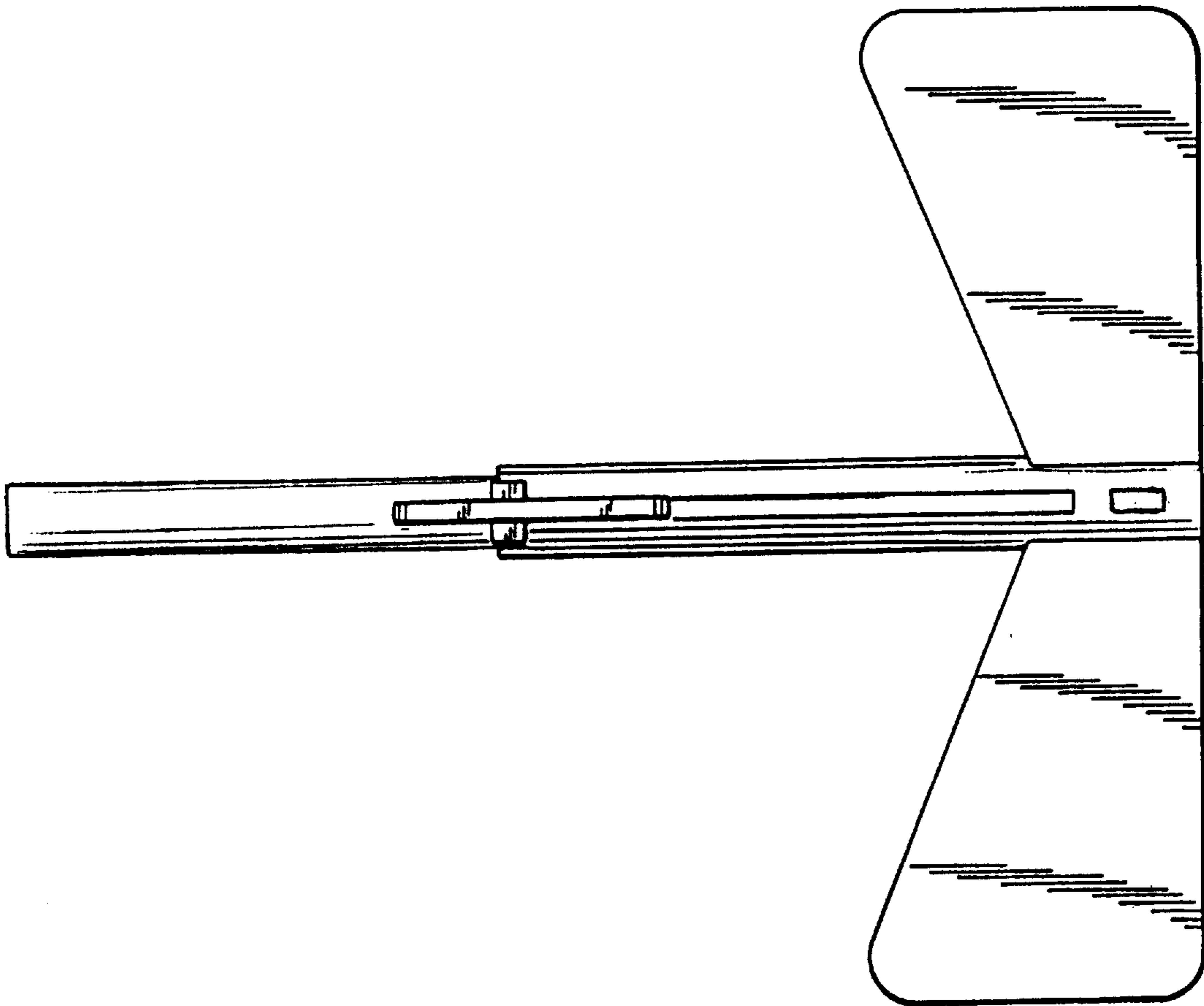


FIG. 2

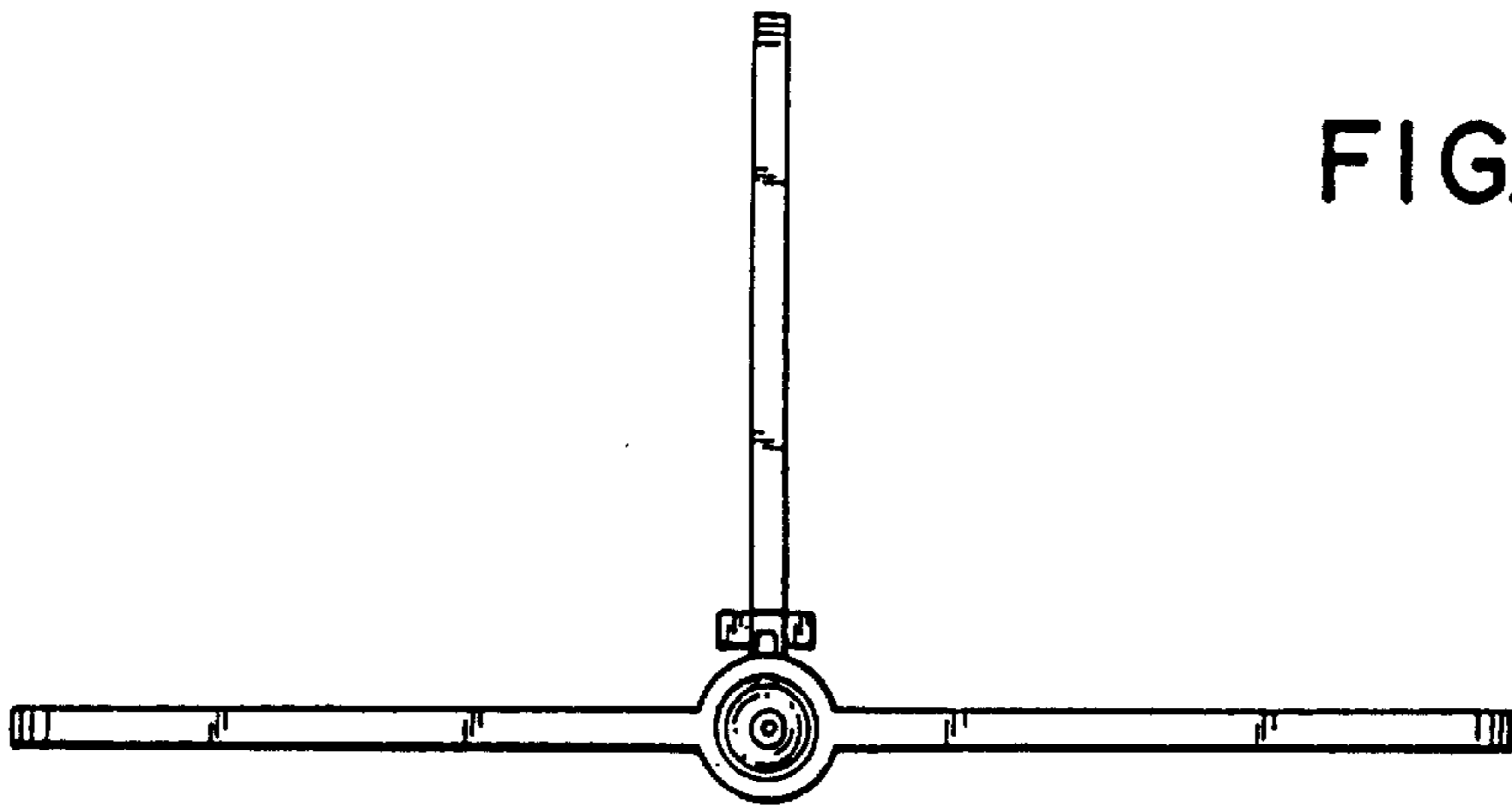


FIG. 3

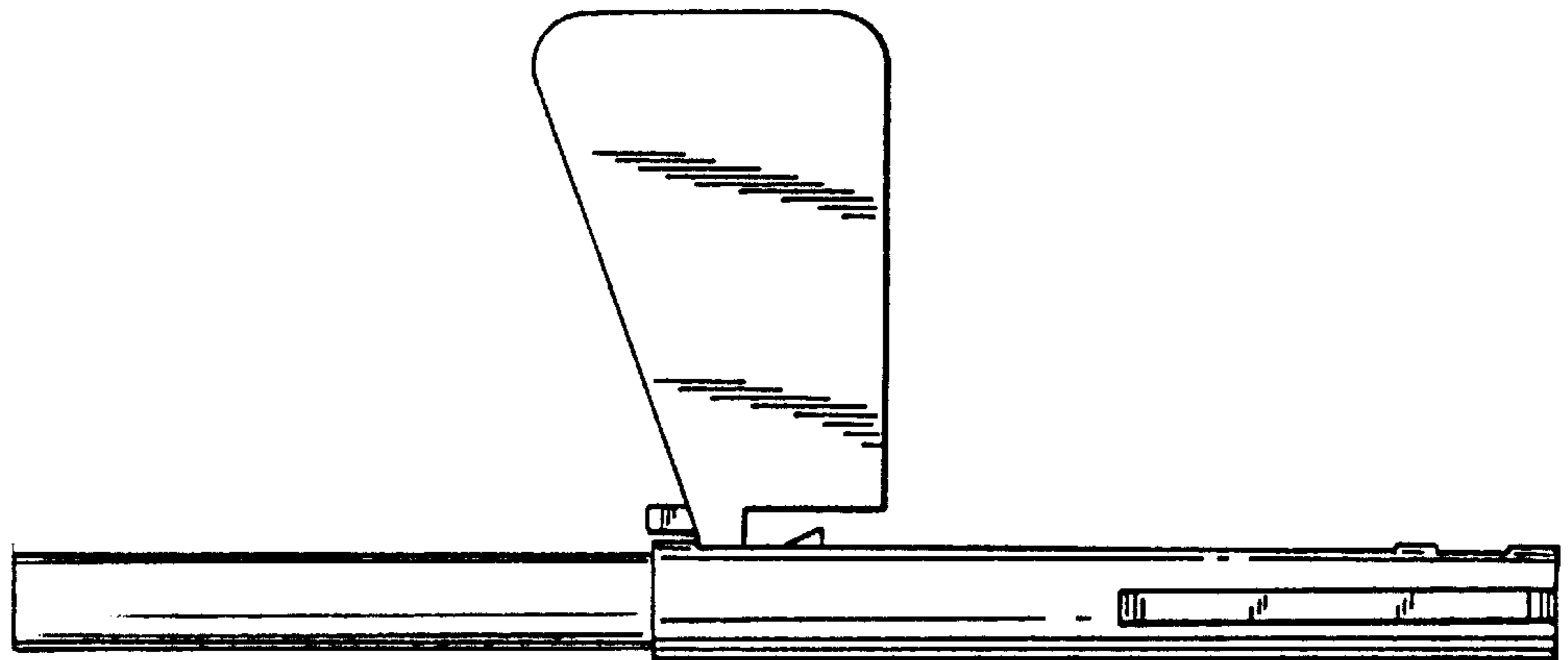


FIG. 4

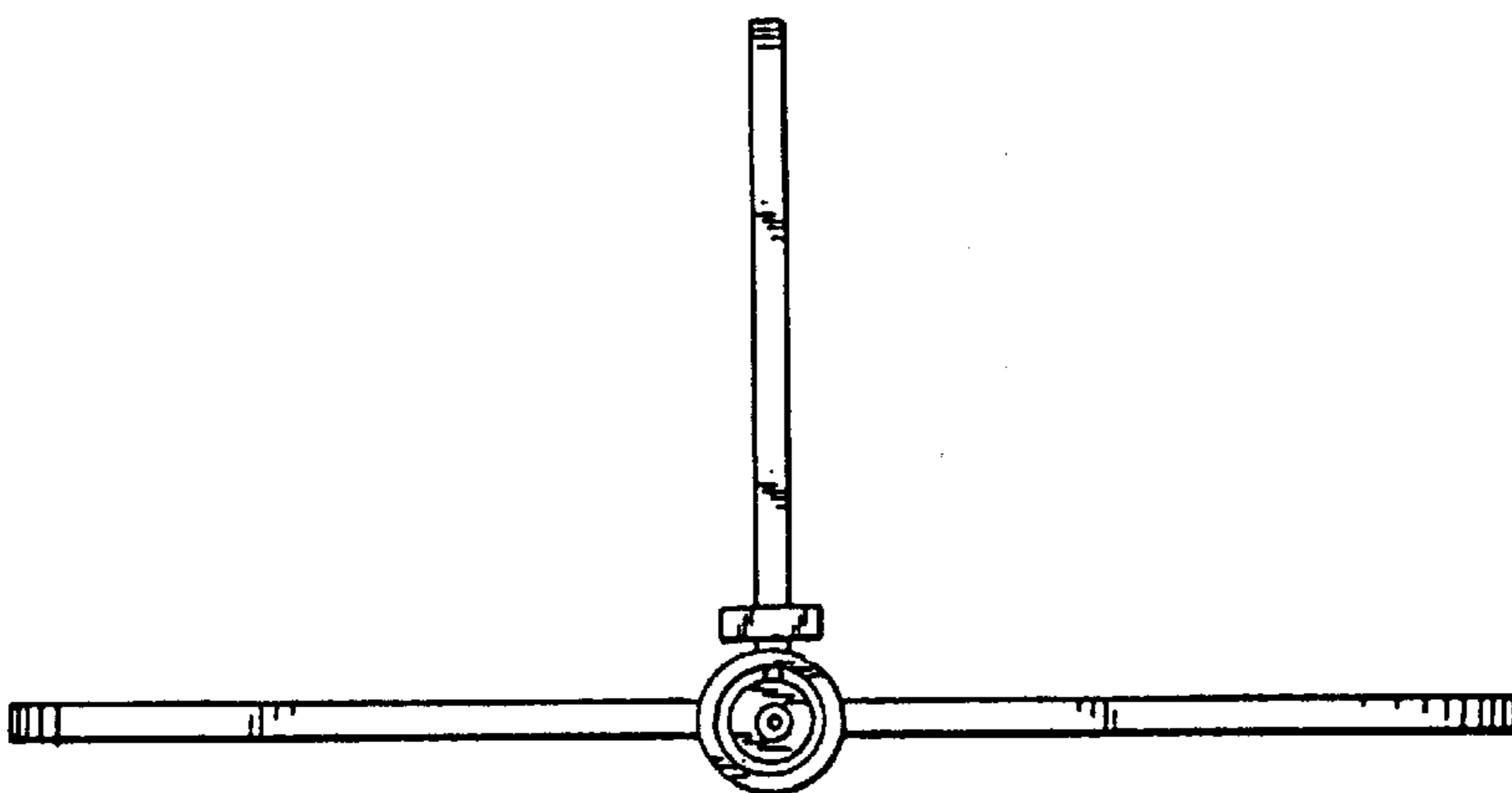


FIG. 5

FIG. 6

