



US00D451991B1

(12) **United States Design Patent**
Israel et al.

(10) **Patent No.:** **US D451,991 S**

(45) **Date of Patent:** **** Dec. 11, 2001**

(54) **PORTABLE FAN**

(75) Inventors: **Gary P. Israel**, Andover, KS (US);
Gregory J. Holderfield, Chicago;
Randall P. Bell, River Forest, both of
IL (US)

(73) Assignee: **The Coleman Company, Inc.**, Wichita,
KS (US)

(**) Term: **14 Years**

(21) Appl. No.: **29/127,214**

(22) Filed: **Jul. 31, 2000**

(51) **LOC (7) Cl.** **23-04**

(52) **U.S. Cl.** **D23/377; D23/382**

(58) **Field of Search** **D23/377, 381,**
D23/382; 417/1, 44.1; 416/247 R, 63, 244 R

(56) **References Cited**

U.S. PATENT DOCUMENTS

- D. 329,088 * 9/1992 Yuen D23/377
- 1,805,105 * 5/1931 Ringwald D23/382
- 5,304,035 * 4/1994 Carter 416/63

* cited by examiner

Primary Examiner—Lisa Lichtenstein

(74) *Attorney, Agent, or Firm*—Kramer Levin Naftalis &
Frankel LLP

(57) **CLAIM**

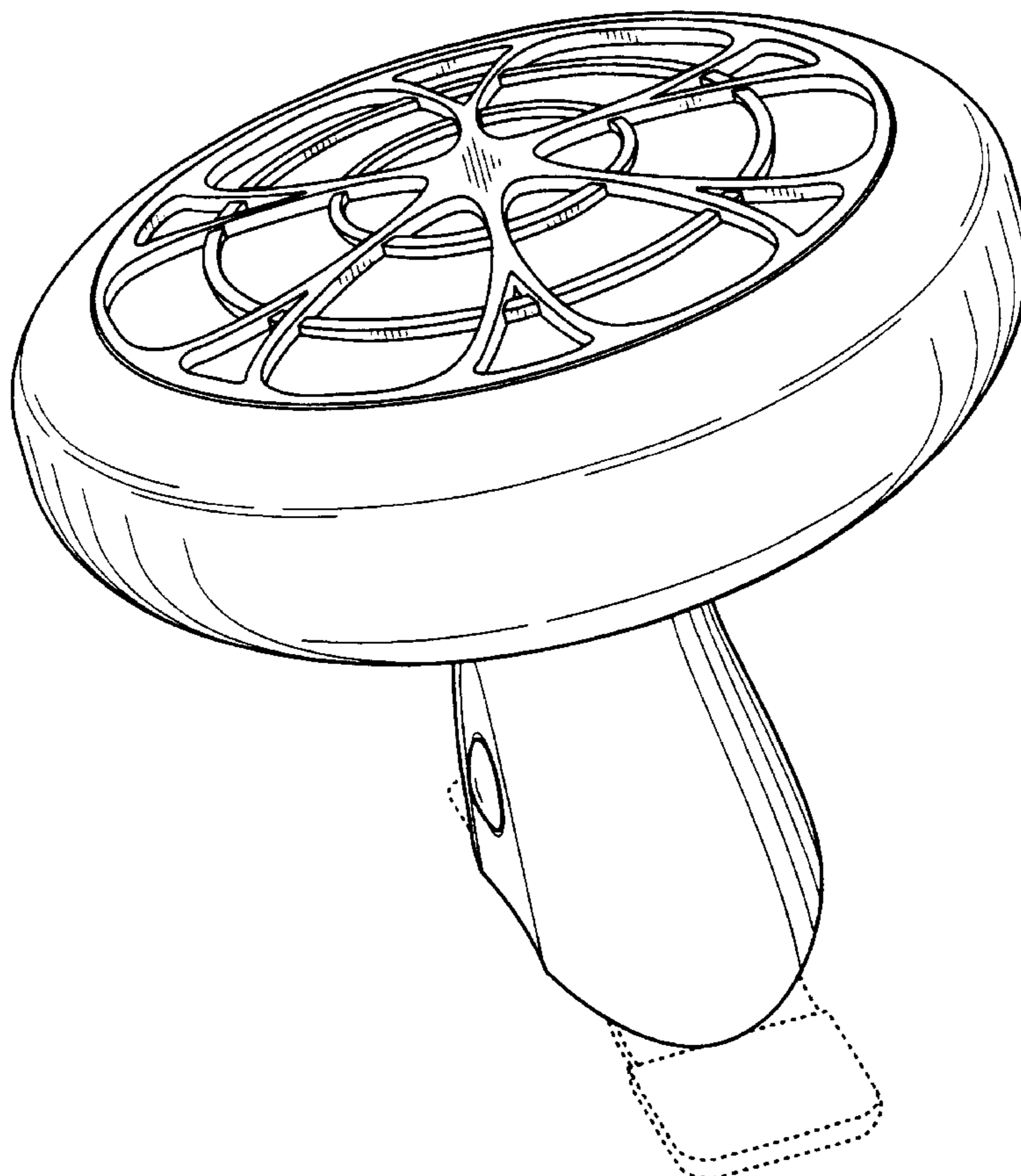
The ornamental design for a portable fan, as shown and
described.

DESCRIPTION

FIG. 1 is a perspective view showing the new design;
 FIG. 2 is a front side view thereof,
 FIG. 3 is a rear side view thereof;
 FIG. 4 is a left side view thereof, the right side being a mirror
 image of the left;
 FIG. 5 is a top plan view thereof;
 FIG. 6 is a bottom plan view thereof;
 FIG. 7 is a perspective view showing a second embodiment
 of the new design;
 FIG. 8 is a front side view showing the second embodiment
 of the new design;
 FIG. 9 is a left side view showing the second embodiment
 of the new design, the right side being a mirror image of the
 left; and,
 FIG. 10 is a top plan view showing the second embodiment
 of the new design.

The broken line showing of environmental structure in
FIGS. 1–10 is for illustrative purposes only and forms no
part of the claimed design.

1 Claim, 10 Drawing Sheets



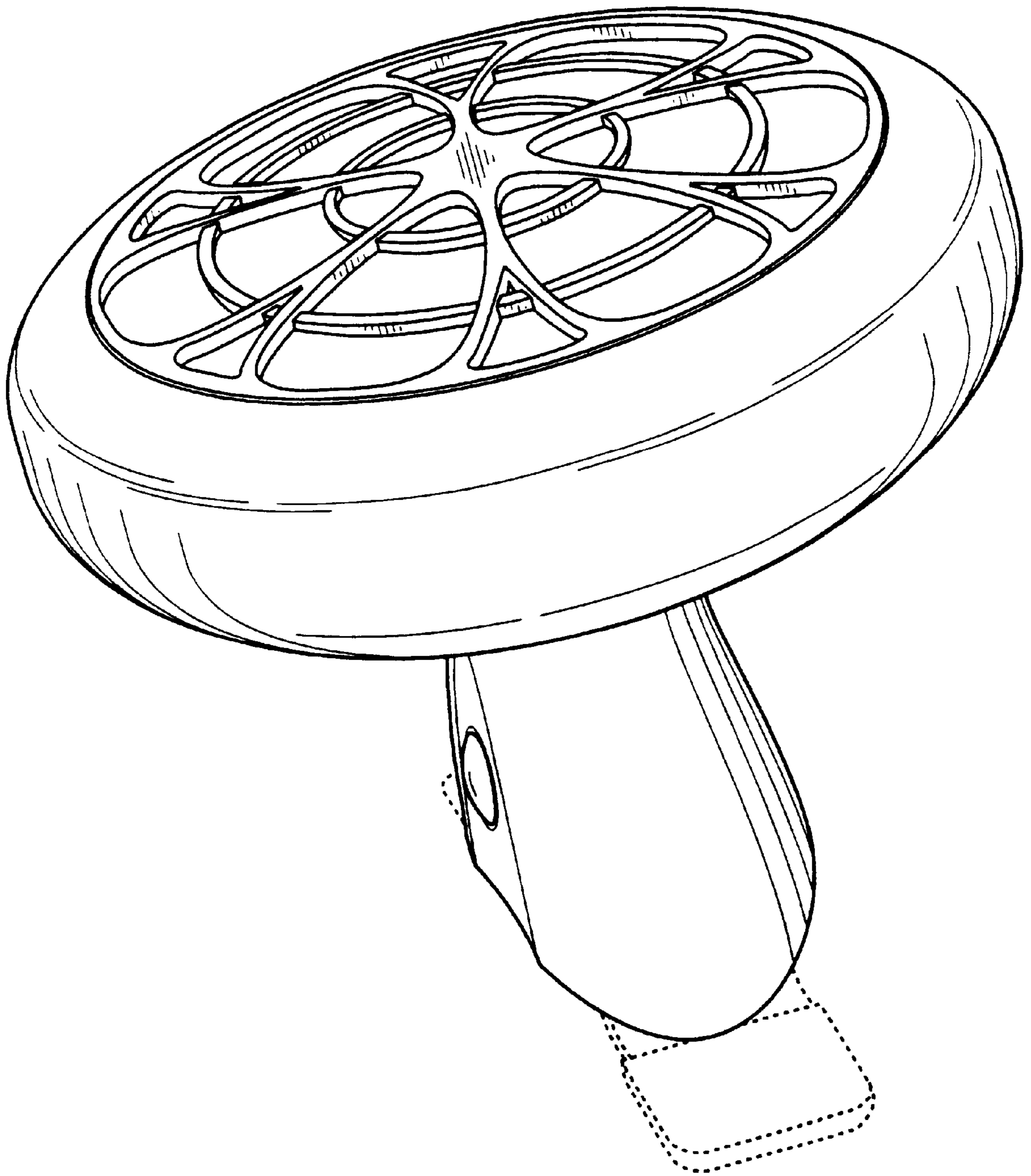


FIG. 1

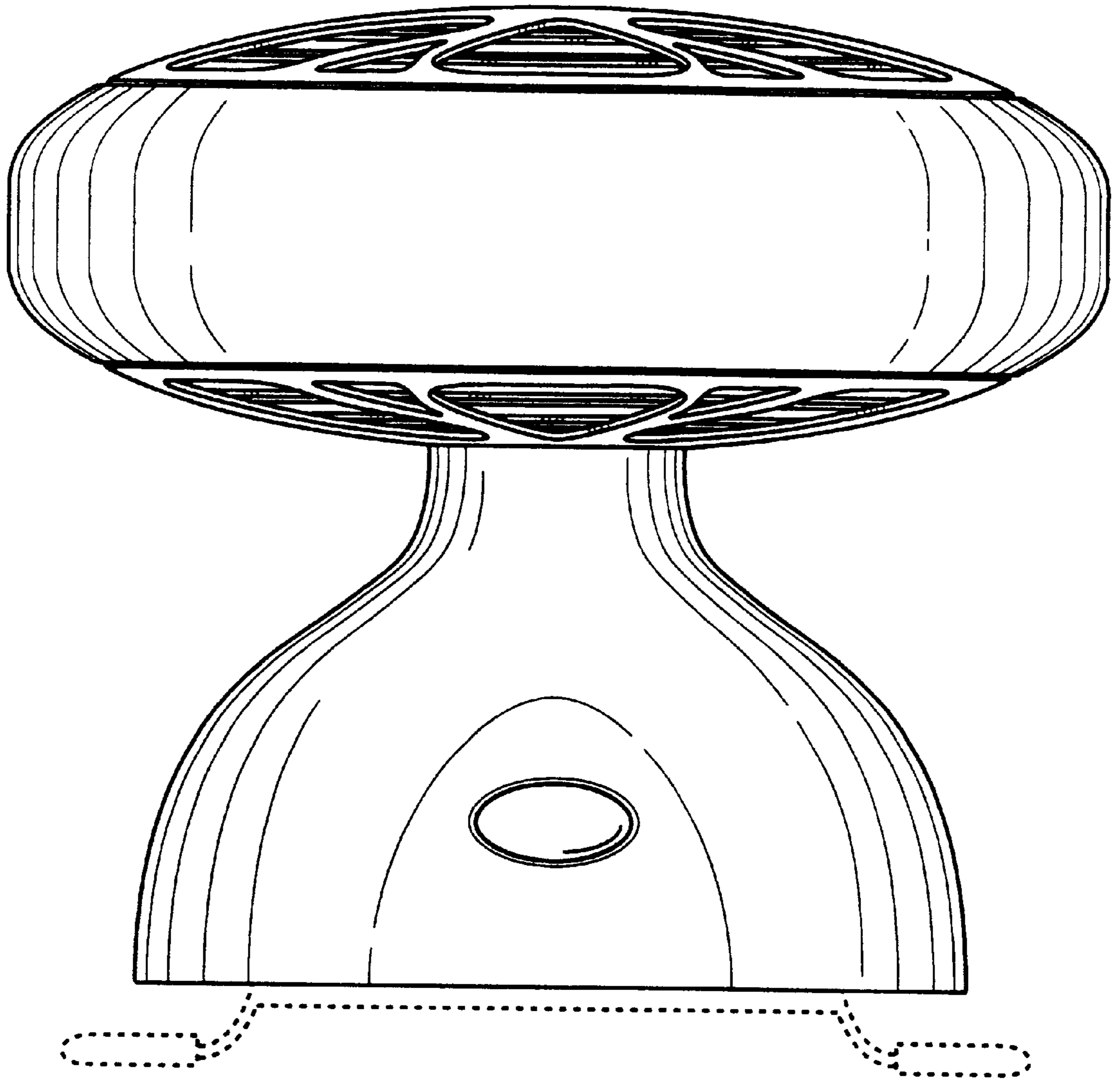


FIG. 2

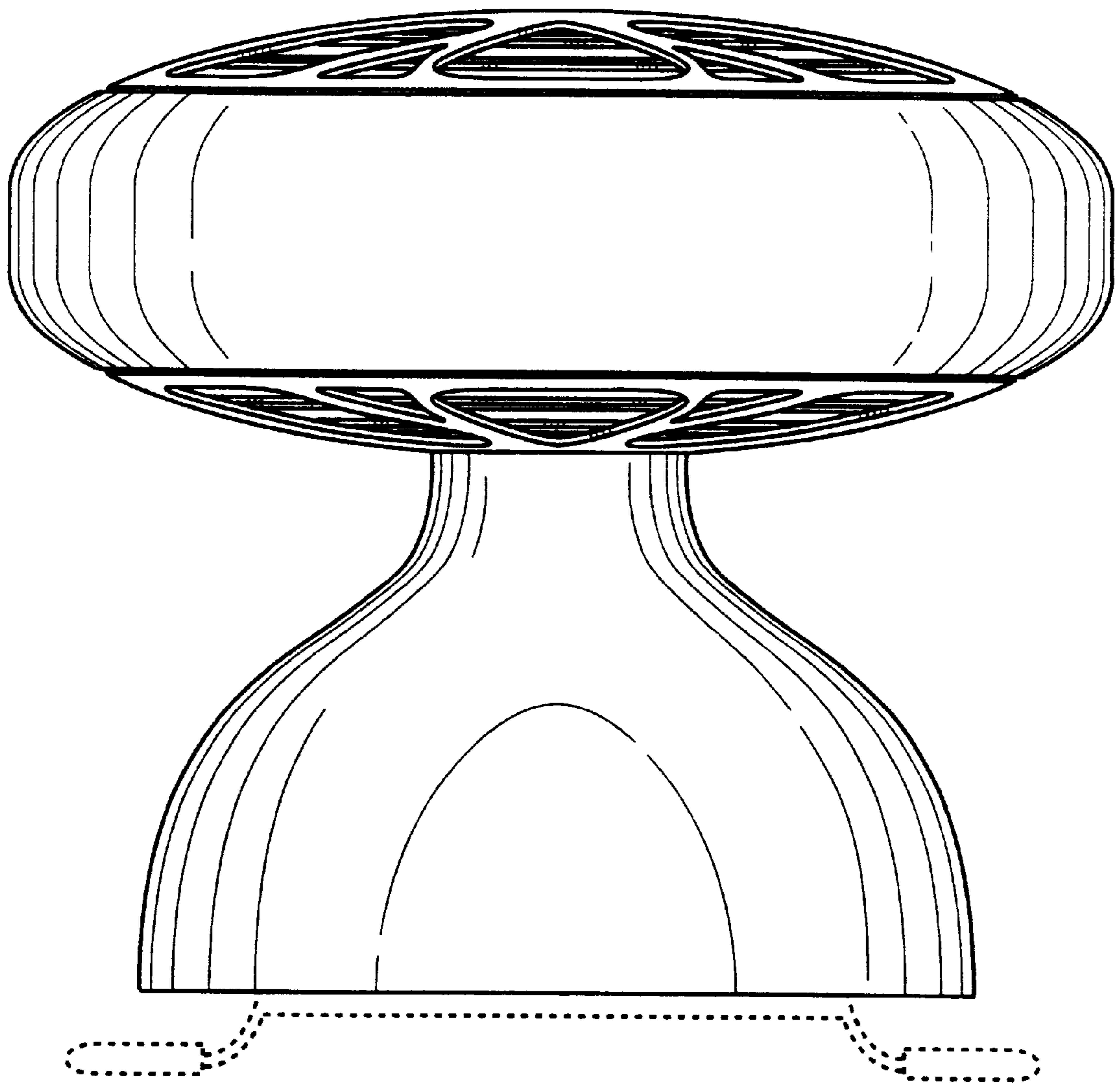


FIG. 3

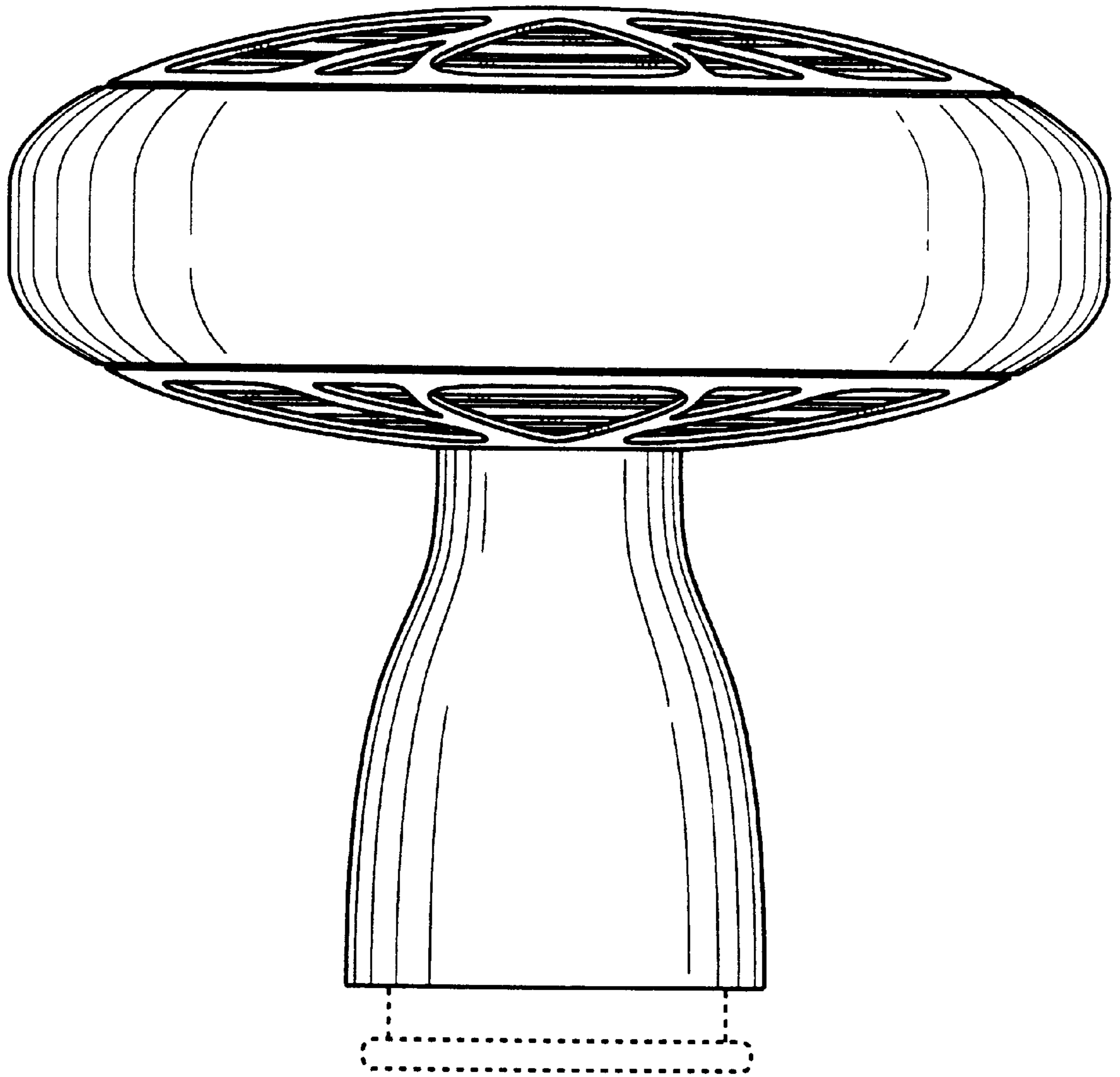


FIG. 4

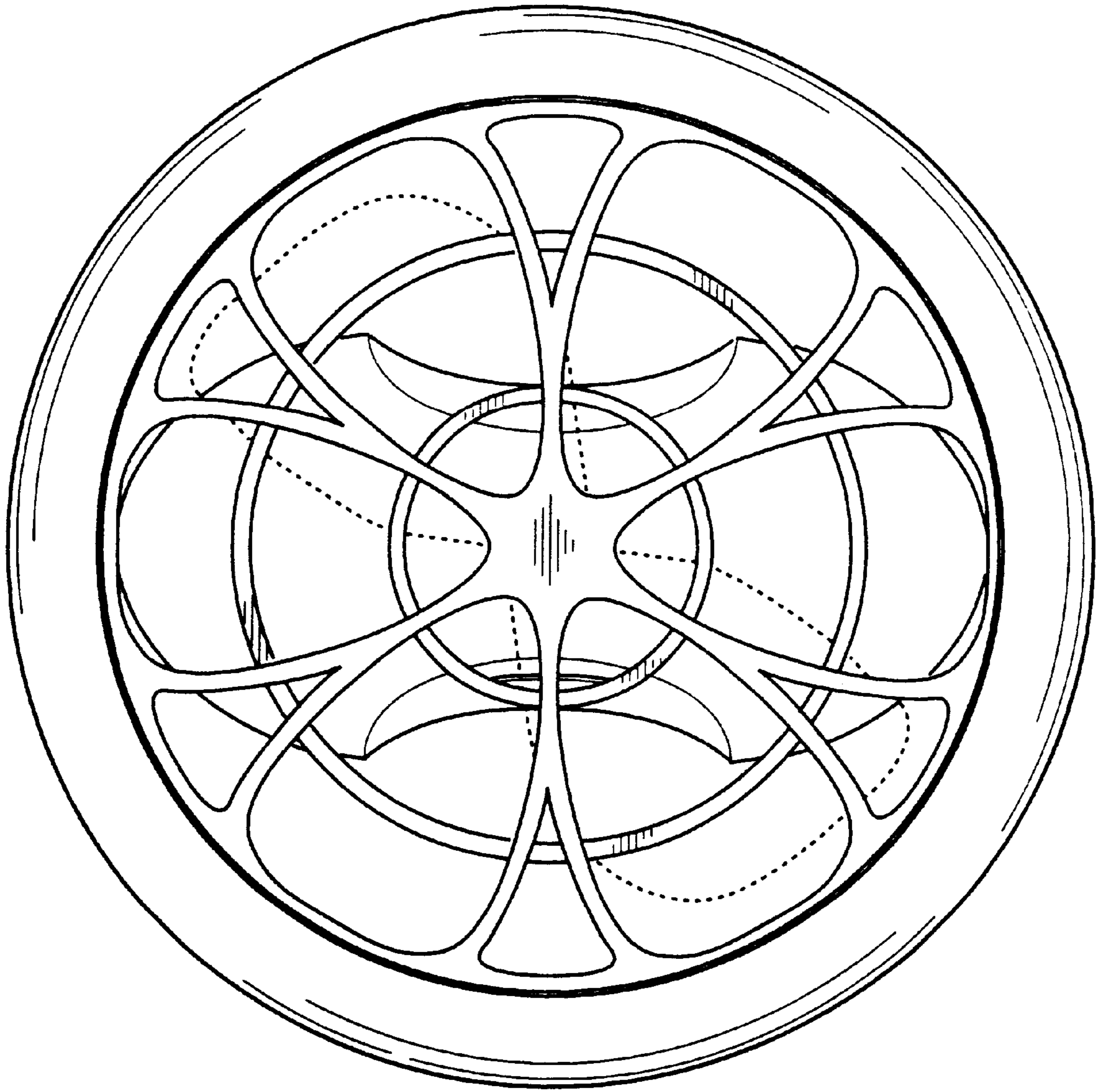


FIG. 5

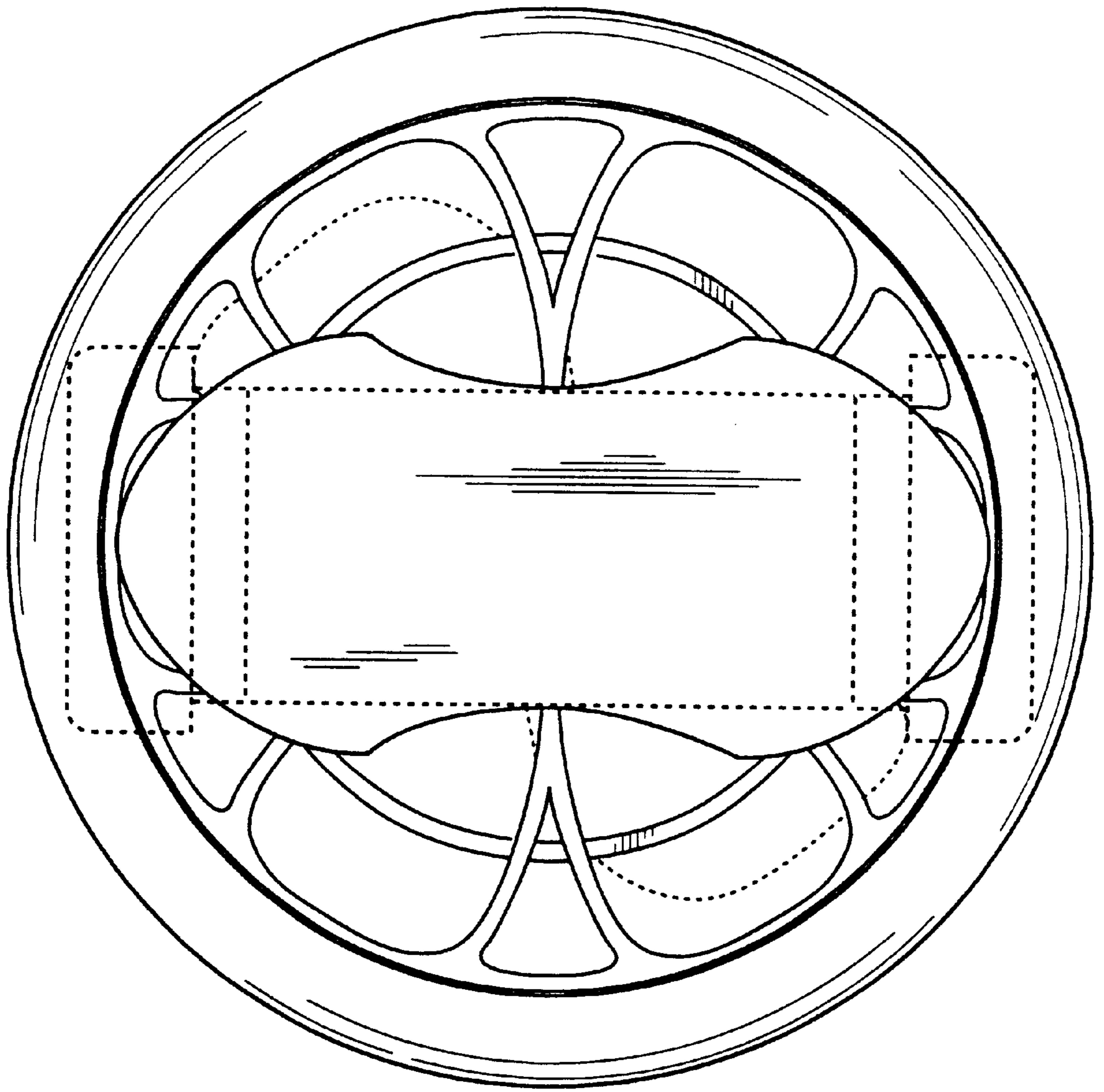


FIG. 6

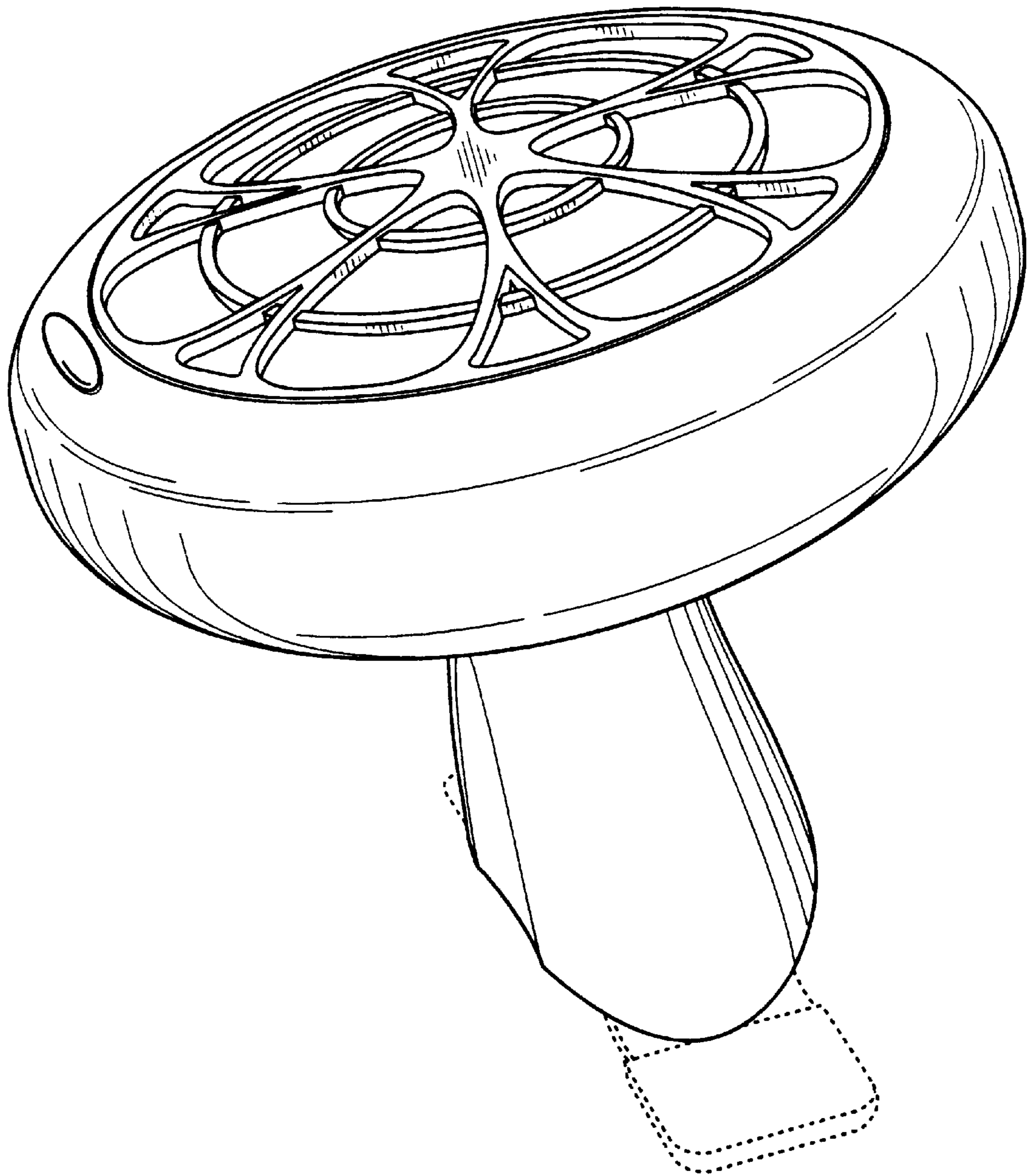


FIG. 7

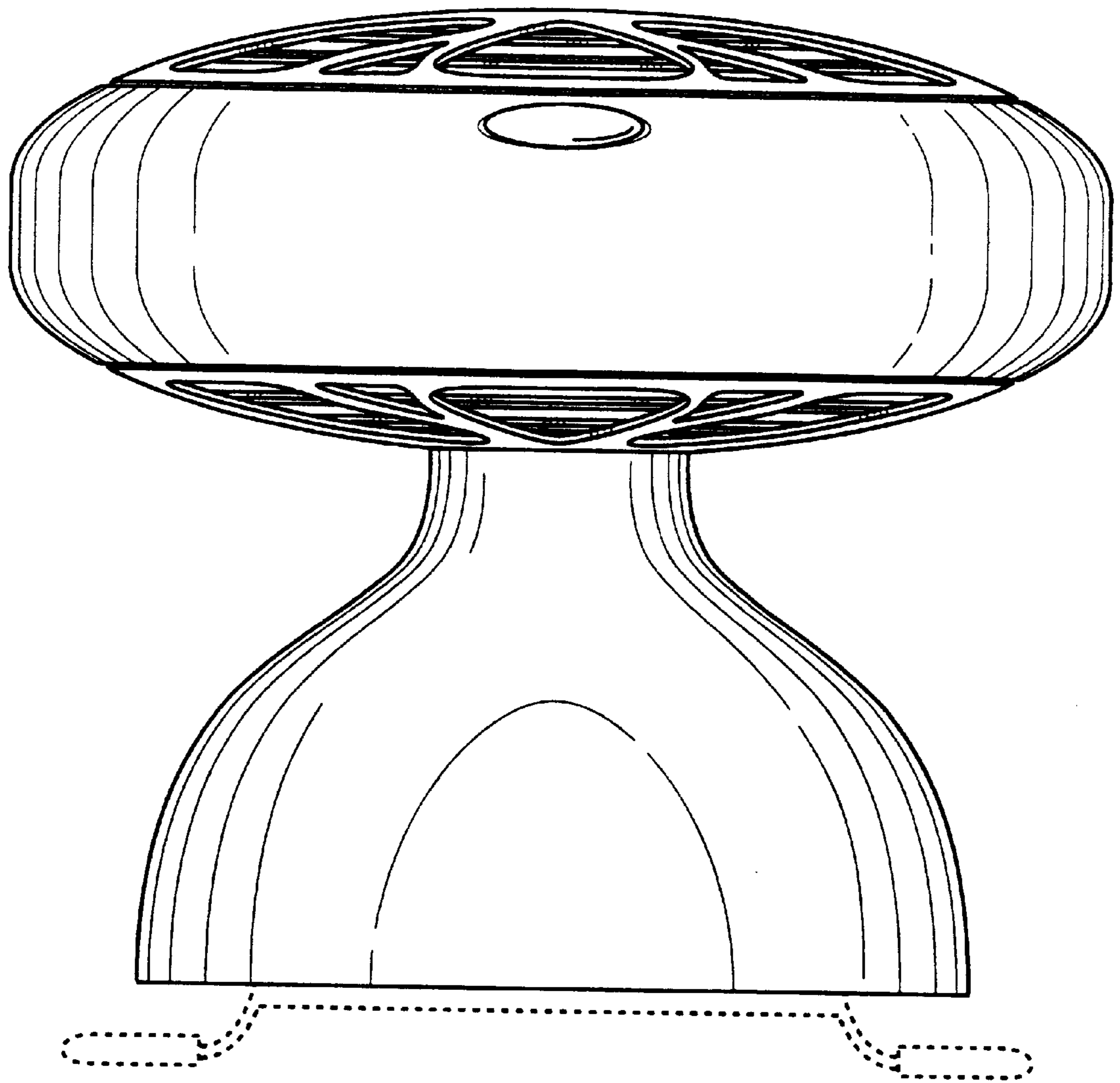


FIG. 8

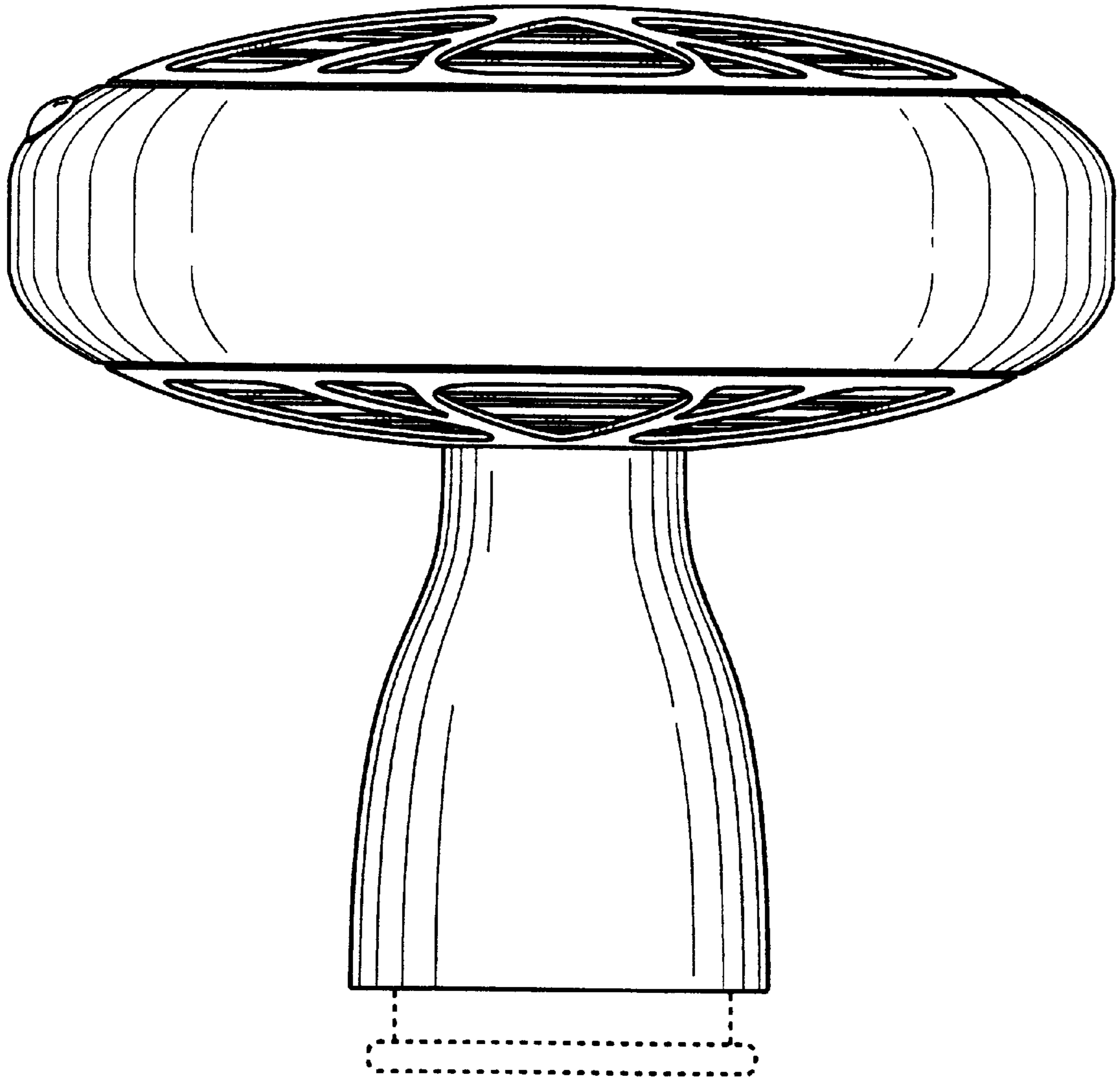


FIG. 9

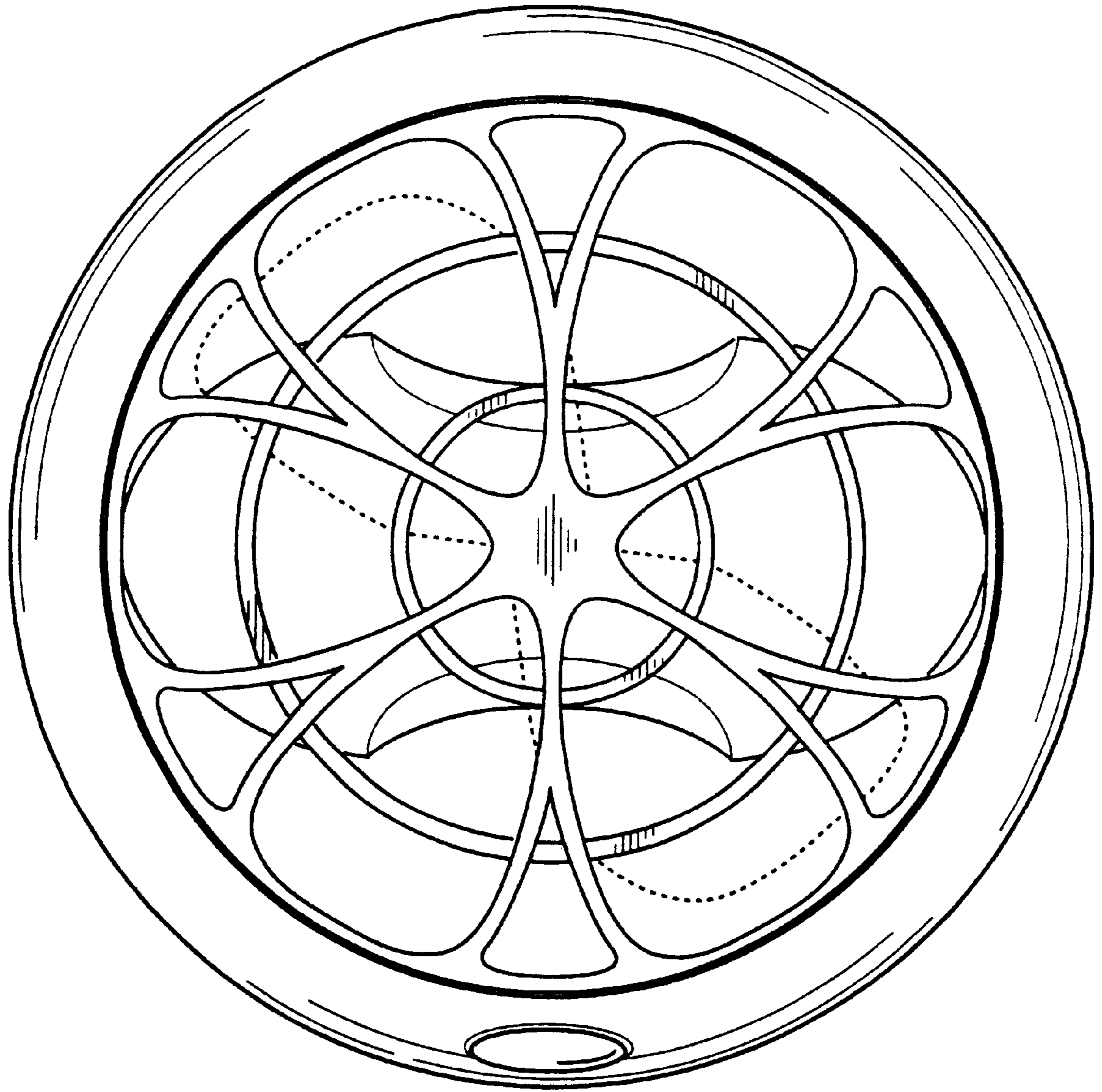


FIG. 10