



US00D451989B1

(12) **United States Design Patent**
Ashton et al.

(10) **Patent No.:** **US D451,989 S**

(45) **Date of Patent:** **** Dec. 11, 2001**

(54) **FIREPLACE**

5,832,915 * 11/1998 Skidmore et al. .

5,836,298 * 11/1998 Grady .

6,220,240 * 4/2001 Grady et al. .

(75) Inventors: **Jerald Ashton**, Wichita; **Gary Israel**;
Randall L. May, both of Andover, all
of KS (US)

* cited by examiner

Primary Examiner—B. J. Bullock

(73) Assignee: **The Coleman Company, Inc.**, Wichita,
KS (US)

(74) *Attorney, Agent, or Firm*—Kramer Levin Naftalis &
Frankel LLP

(**) Term: **14 Years**

(57) **CLAIM**

(21) Appl. No.: **29/124,059**

The ornamental design for a fireplace, as shown and
described.

(22) Filed: **May 30, 2000**

DESCRIPTION

(51) **LOC (7) Cl.** **23-03**

(52) **U.S. Cl.** **D23/343; D23/332; D23/335**

(58) **Field of Search** 823/332, 335,
823/343, 348, 349, 350; 126/500, 519,
25 R, 58, 548, 555

FIG. 1 is a front perspective view showing the new design;

FIG. 2 is a side elevation view thereof;

FIG. 3 is a side elevation view thereof, showing the opposite
side of FIG. 2;

FIG. 4 is a top plan view thereof;

FIG. 5 is a bottom plan view thereof;

FIG. 6 is a rear elevation view thereof; and,

FIG. 7 is a front elevation view thereof.

The broken lines are for illustrative purposes only and form
no part of the claimed design.

(56) **References Cited**

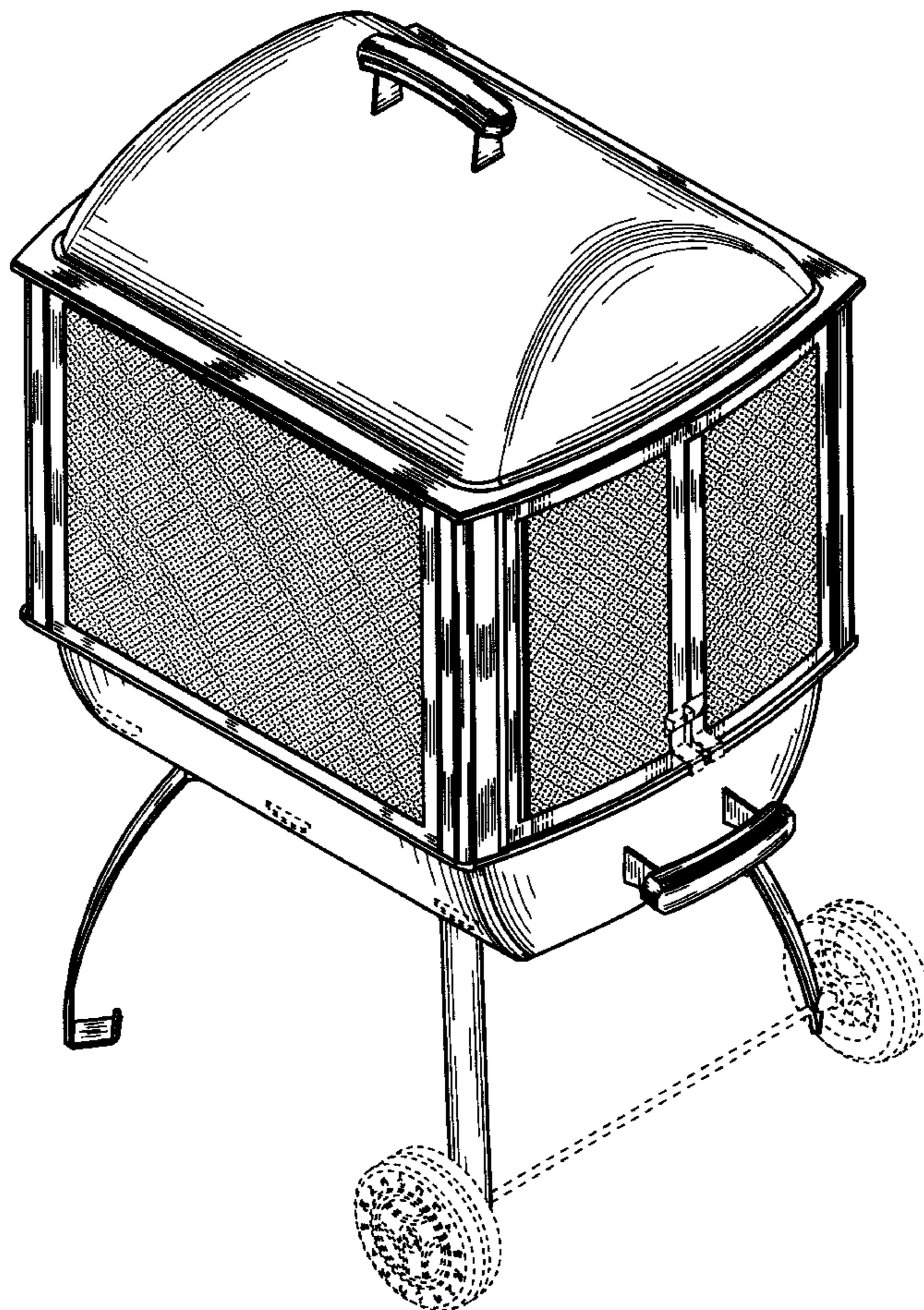
U.S. PATENT DOCUMENTS

D. 375,347 * 11/1996 Whalen et al. .

D. 420,115 * 2/2000 Bach et al. .

5,598,834 * 2/1997 Grady .

1 Claim, 6 Drawing Sheets



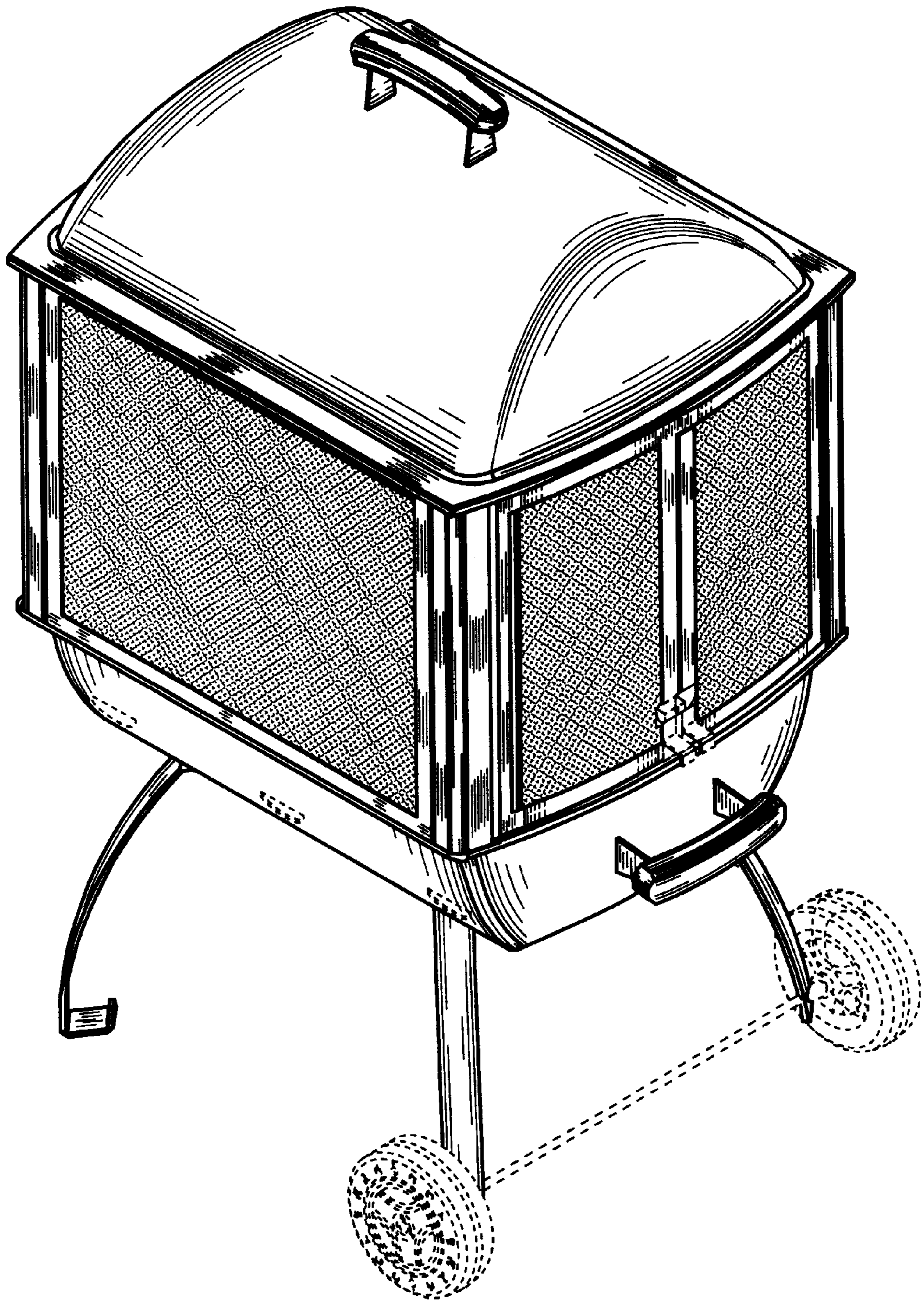


FIG. 1

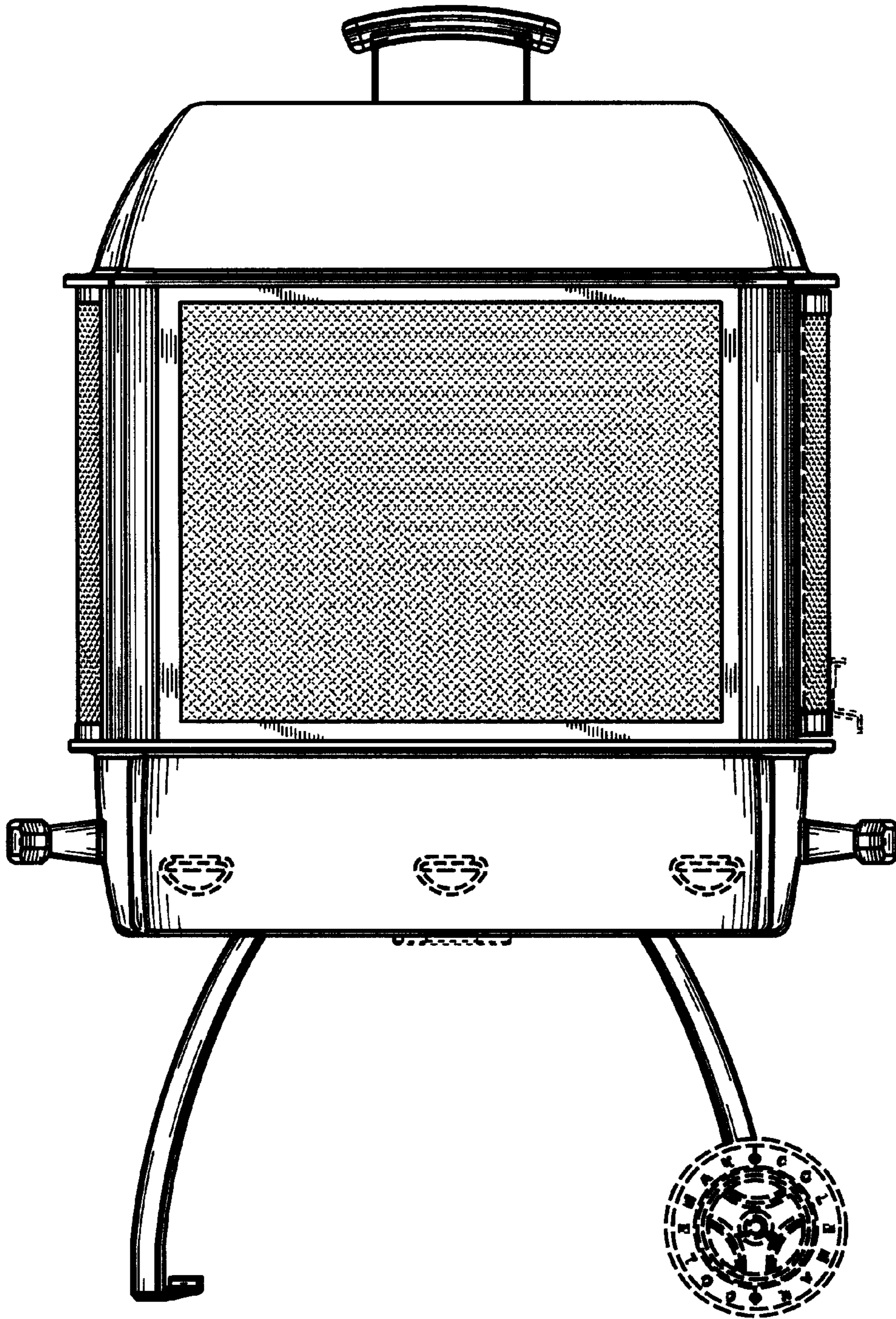


FIG. 2

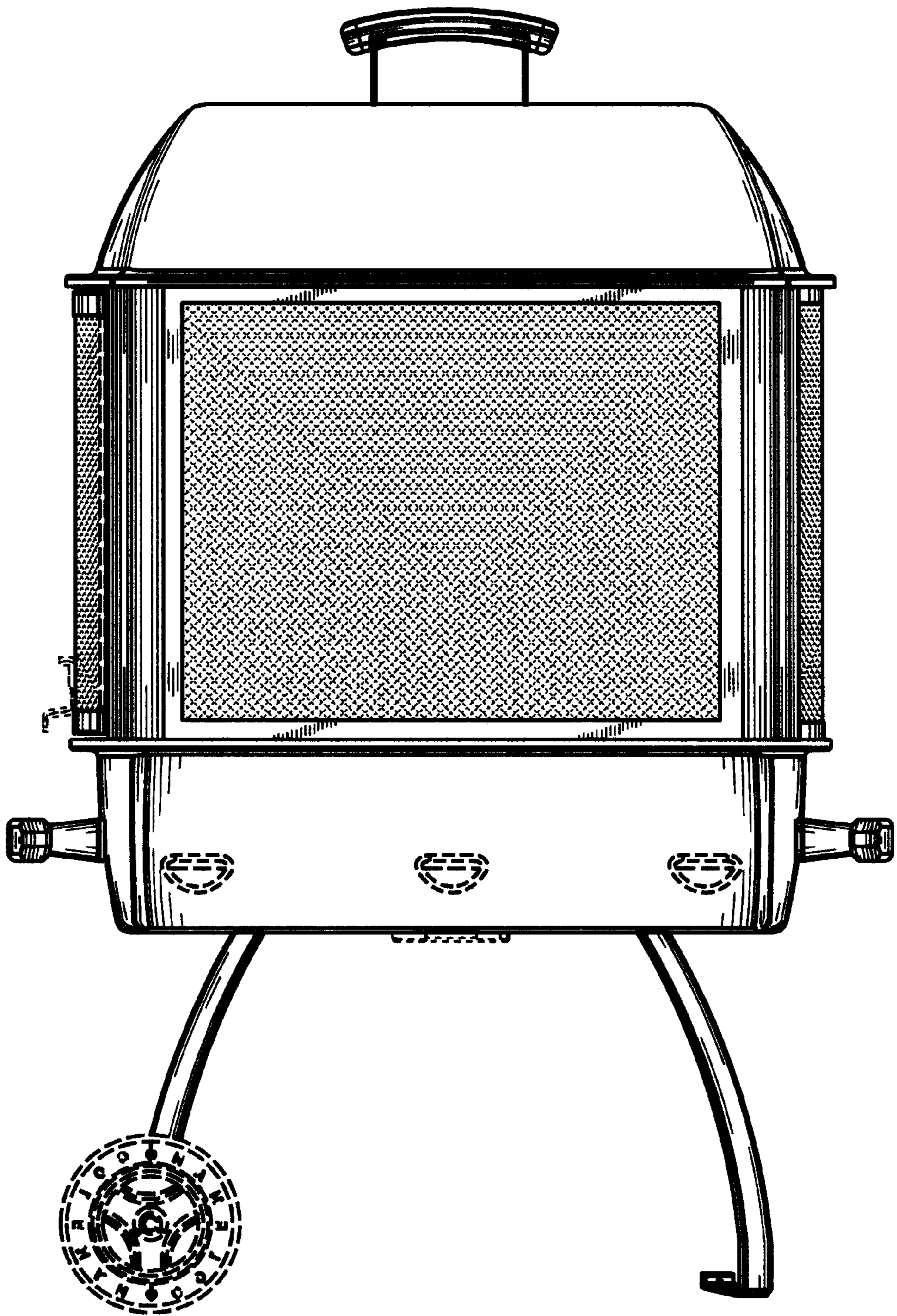


FIG. 3

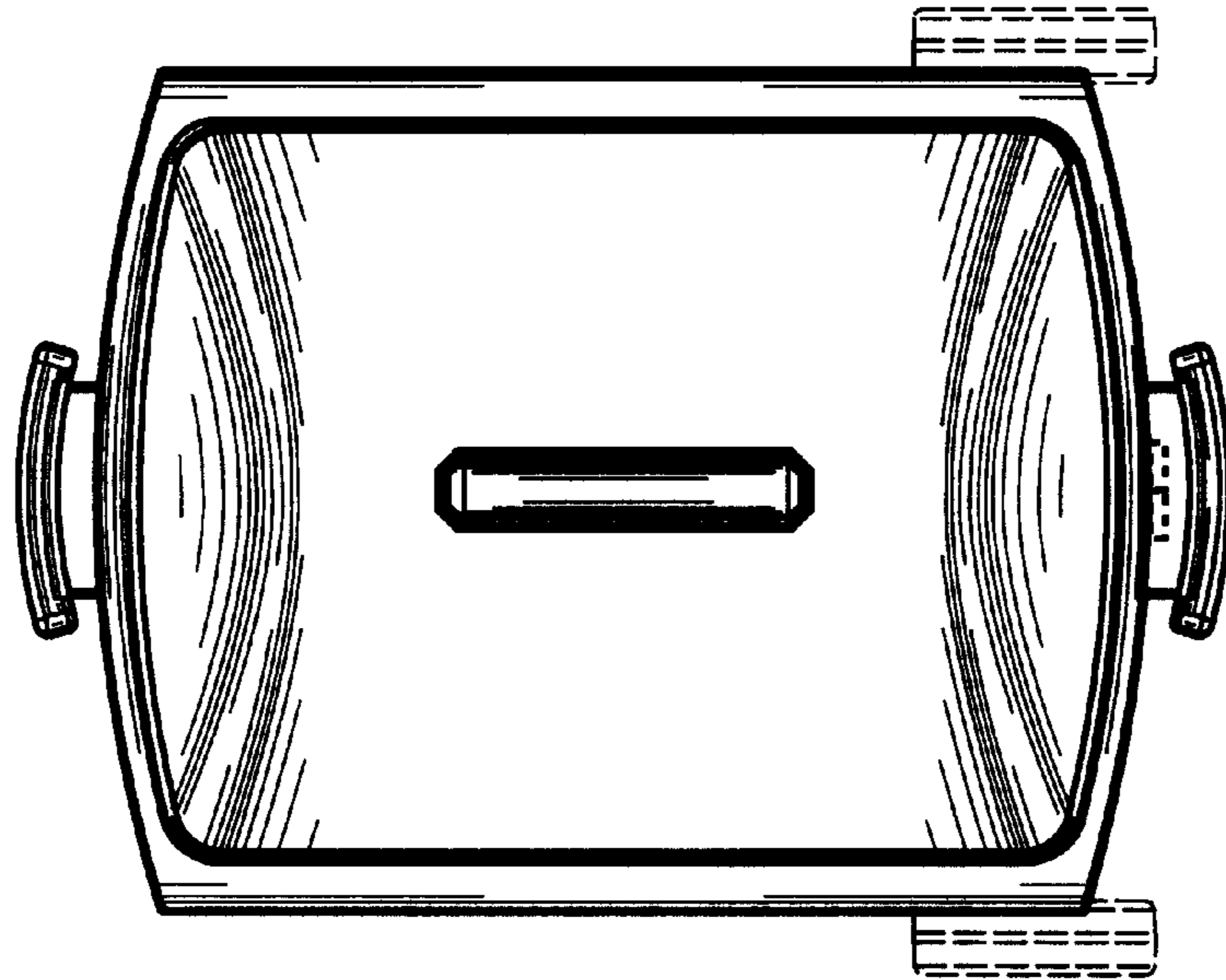


FIG. 4

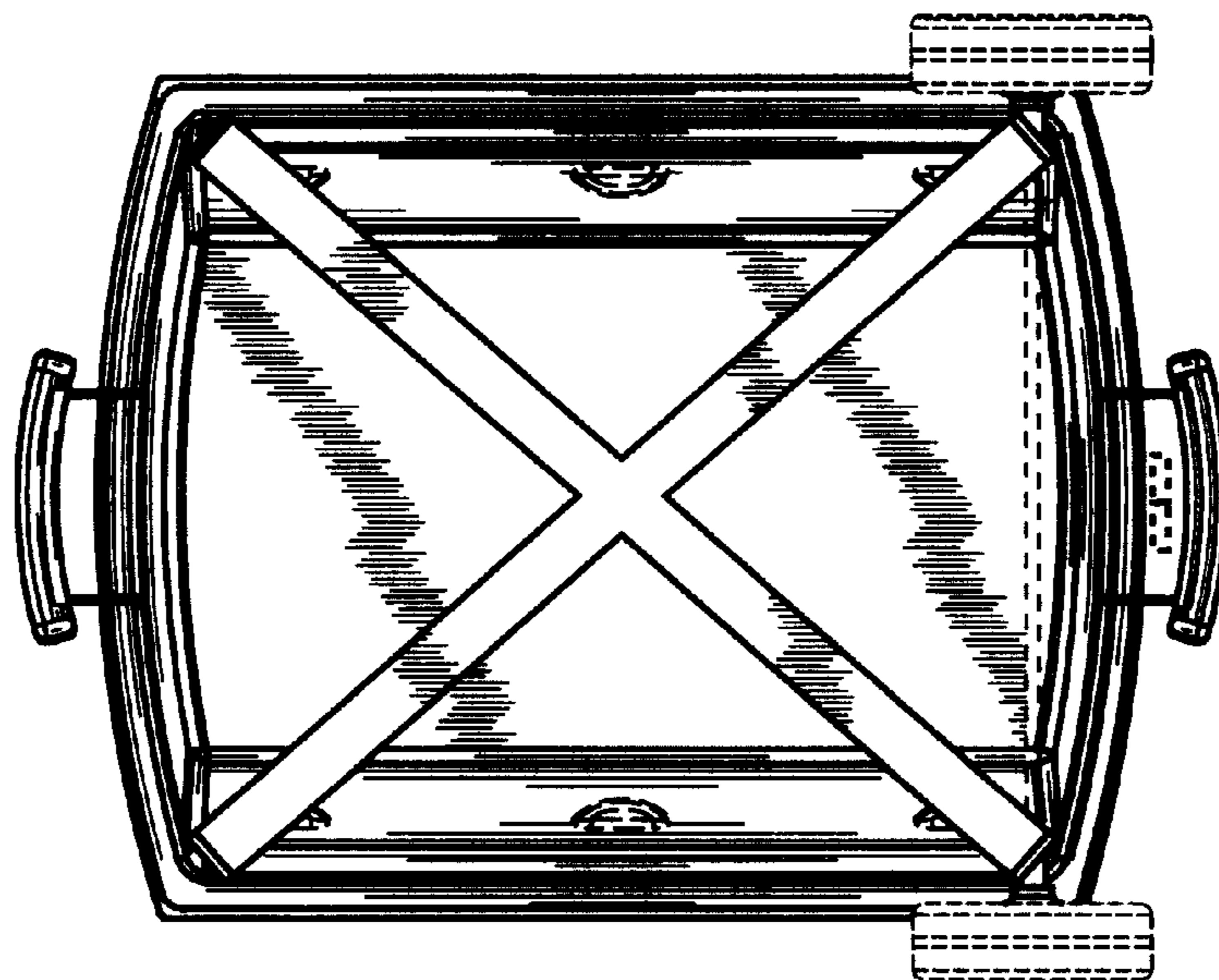


FIG. 5

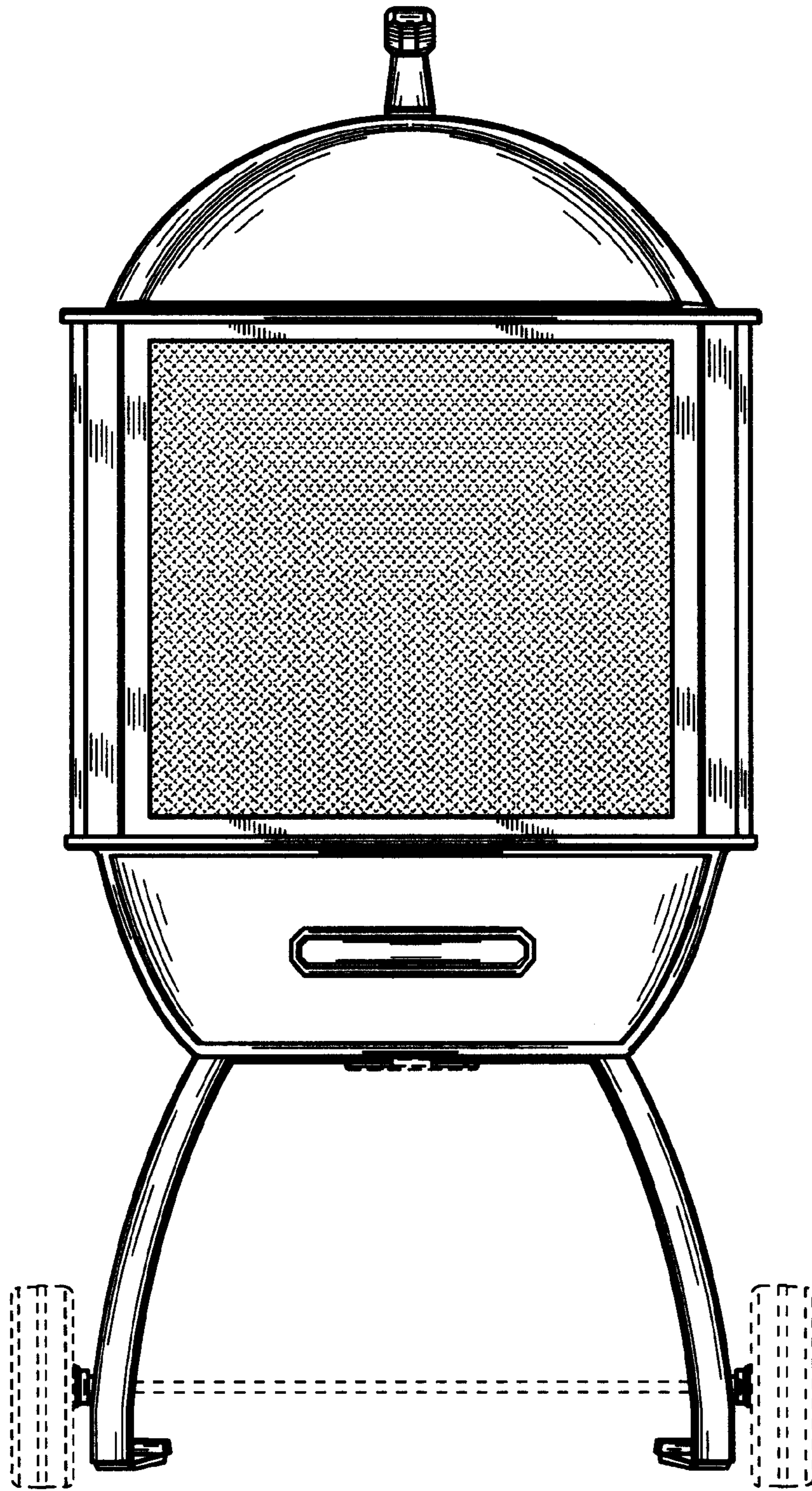


FIG. 6

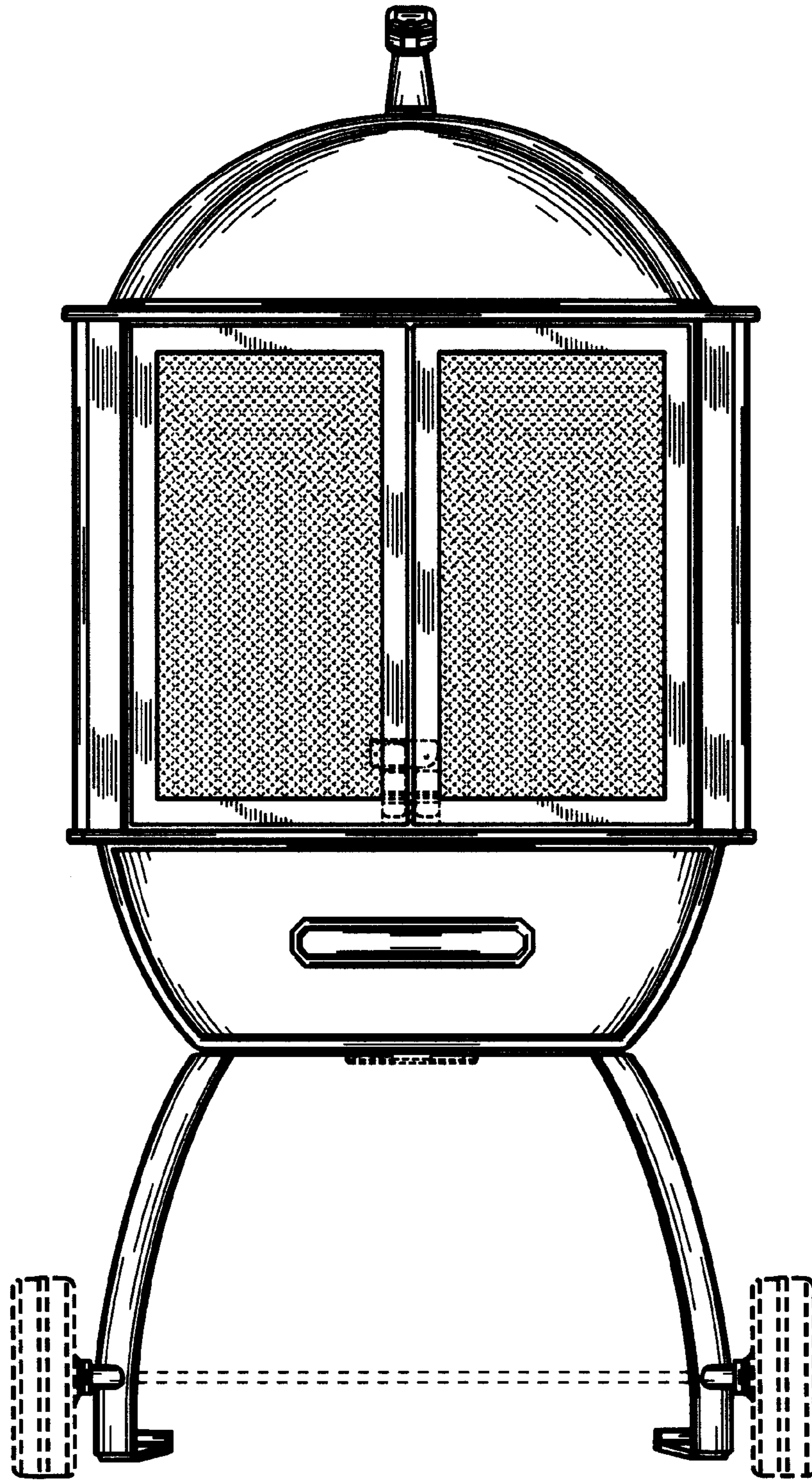


FIG. 7