



US00D451984B1

(12) **United States Design Patent**  
**Tigerholm**

(10) **Patent No.:** **US D451,984 S**

(45) **Date of Patent:** **\*\* Dec. 11, 2001**

(54) **COUPLING DEVICE FOR PIPINGS**

(75) Inventor: **Lars Tigerholm, Ekerö (SE)**

(73) Assignee: **Tigerholm Innovation AB (SE)**

(\*\*) Term: **14 Years**

(21) Appl. No.: **29/124,622**

(22) Filed: **Jun. 8, 2000**

(51) **LOC (7) Cl.** ..... **23-01**

(52) **U.S. Cl.** ..... **D23/262; D8/382**

(58) **Field of Search** ..... **D23/262-265;**  
**285/105; 403/300, 291**

(56) **References Cited**

**U.S. PATENT DOCUMENTS**

|            |   |         |          |       |         |
|------------|---|---------|----------|-------|---------|
| D. 235,874 | * | 7/1975  | Olson    | ..... | D23/262 |
| D. 239,938 | * | 5/1976  | Oldon    | ..... | D23/262 |
| 2,463,235  | * | 3/1949  | Andrews  | ..... | 285/105 |
| 2,956,820  | * | 10/1960 | De Cenzo | ..... | 285/105 |
| 2,967,723  | * | 1/1961  | Willis   | ..... | 285/105 |

\* cited by examiner

*Primary Examiner*—Robin V. Taylor

(74) *Attorney, Agent, or Firm*—Lerner, David, Littenberg, Krumholz & Mentlik, LLP

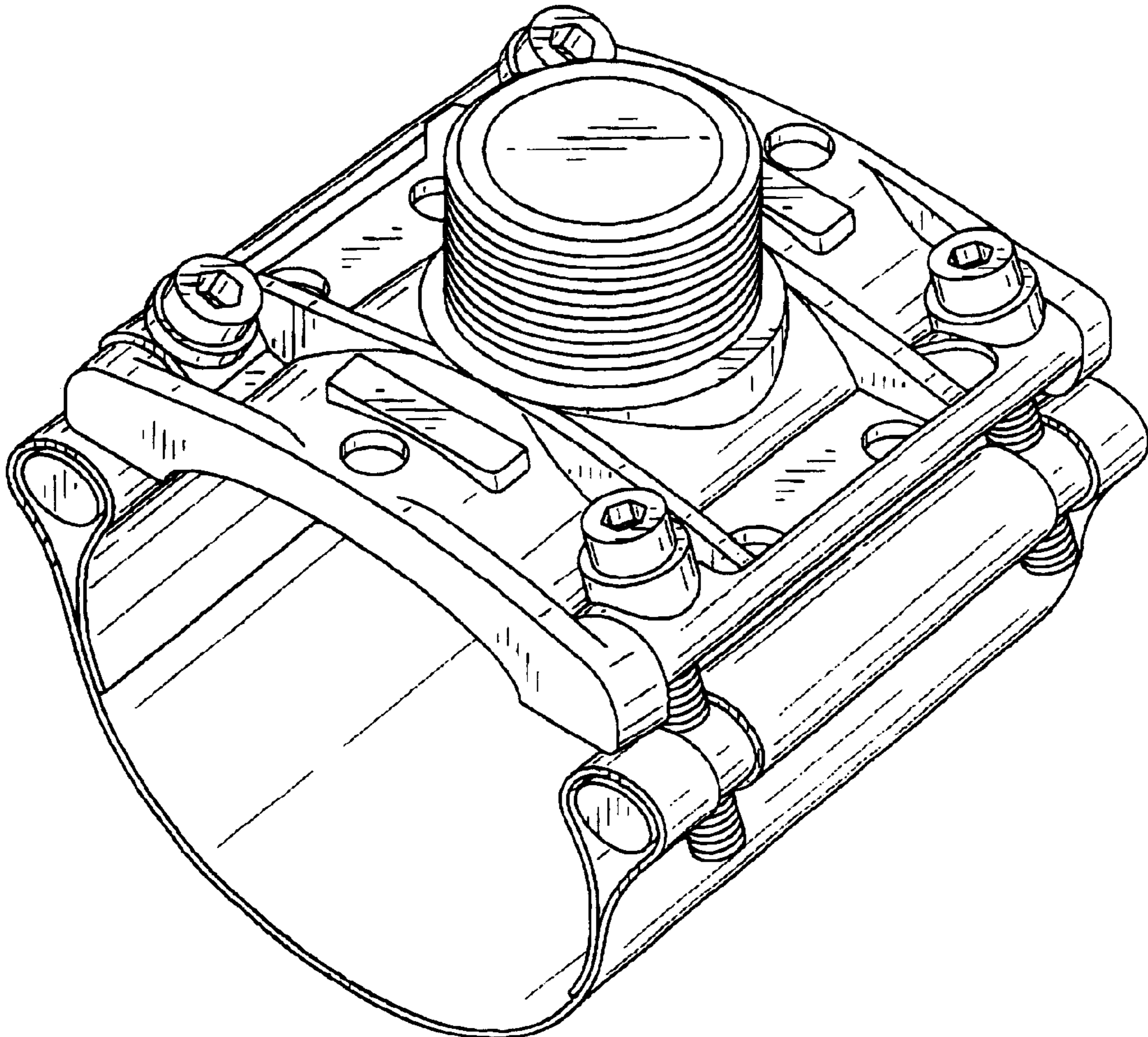
(57) **CLAIM**

The ornamental design for a coupling device for pipings, as shown and described.

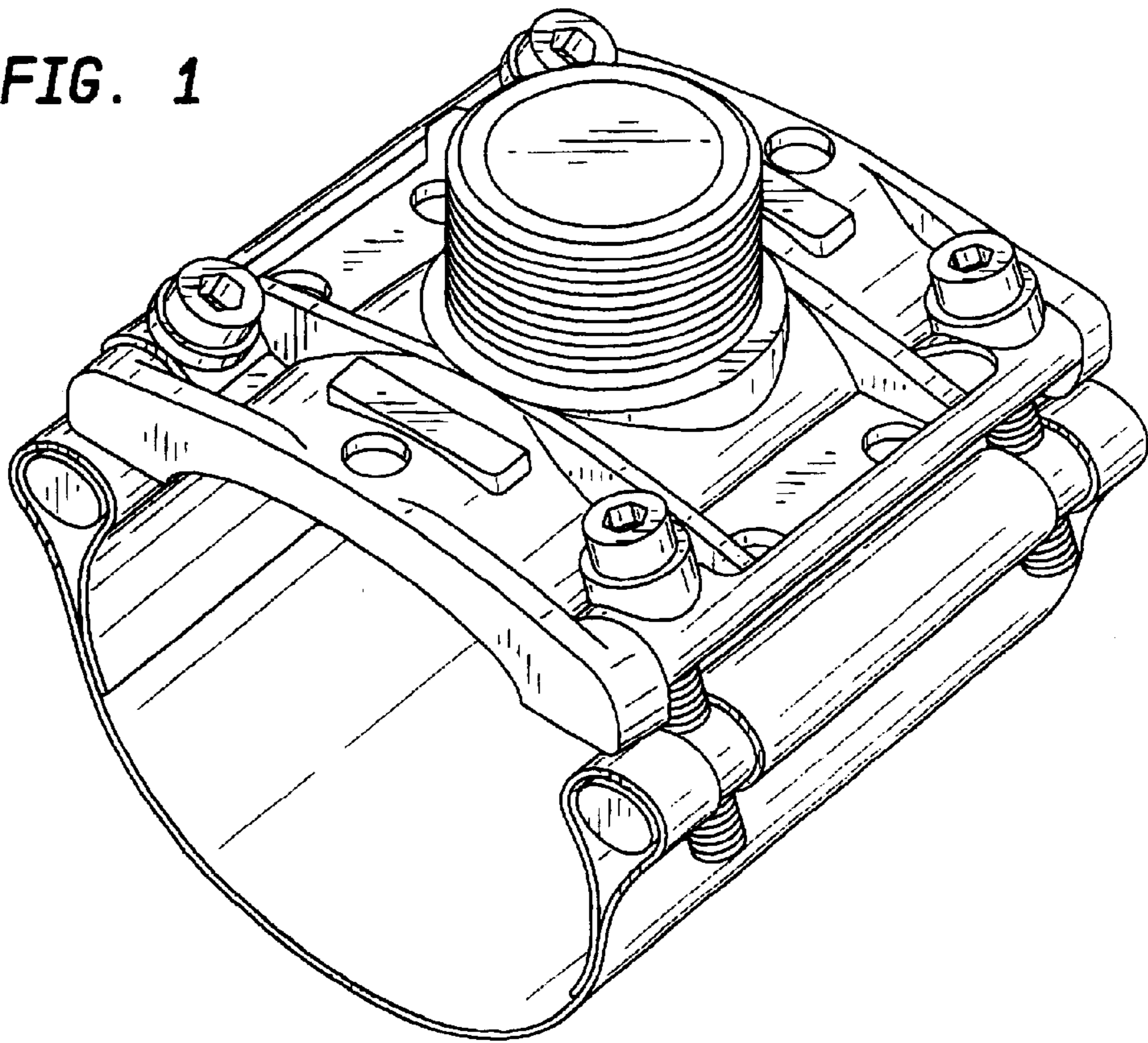
**DESCRIPTION**

FIG. 1 is a top, front, perspective view of the coupling device for pipings in accordance with the present invention; FIG. 2 is a bottom, front, perspective view of the coupling device for pipings shown in FIG. 1; FIG. 3 is a front, elevational view of the coupling device for pipings shown in FIG. 1 with the rear view being a mirror image thereof; FIG. 4 is a left side, elevational view of the coupling device for pipings shown in FIG. 1 with the right side view being a mirror image thereof; FIG. 5 is a bottom, elevational view of the coupling device for pipings shown in FIG. 1; and, FIG. 6 is a top, elevational view of the coupling device for pipings shown in FIG. 1.

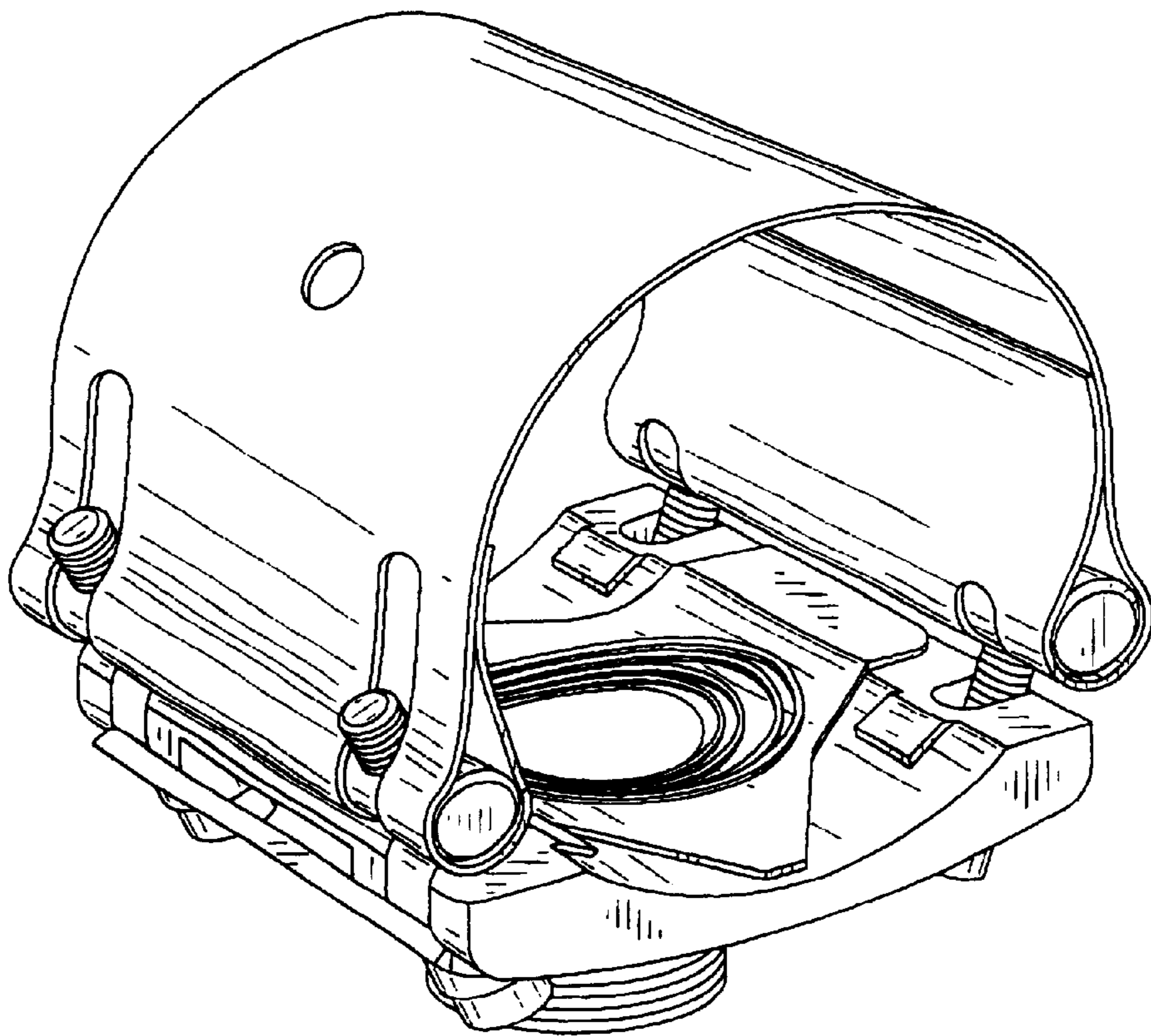
**1 Claim, 3 Drawing Sheets**



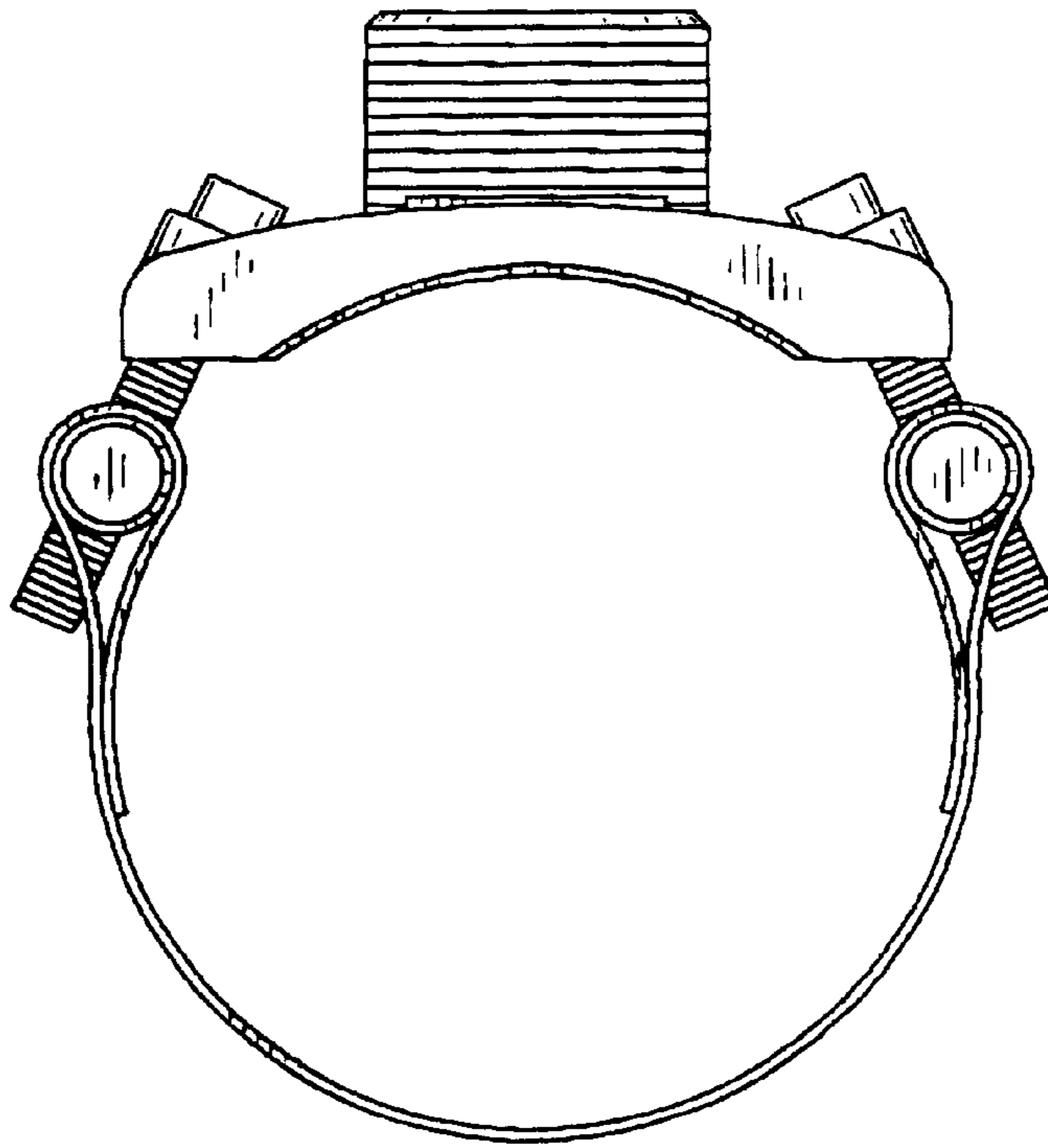
**FIG. 1**



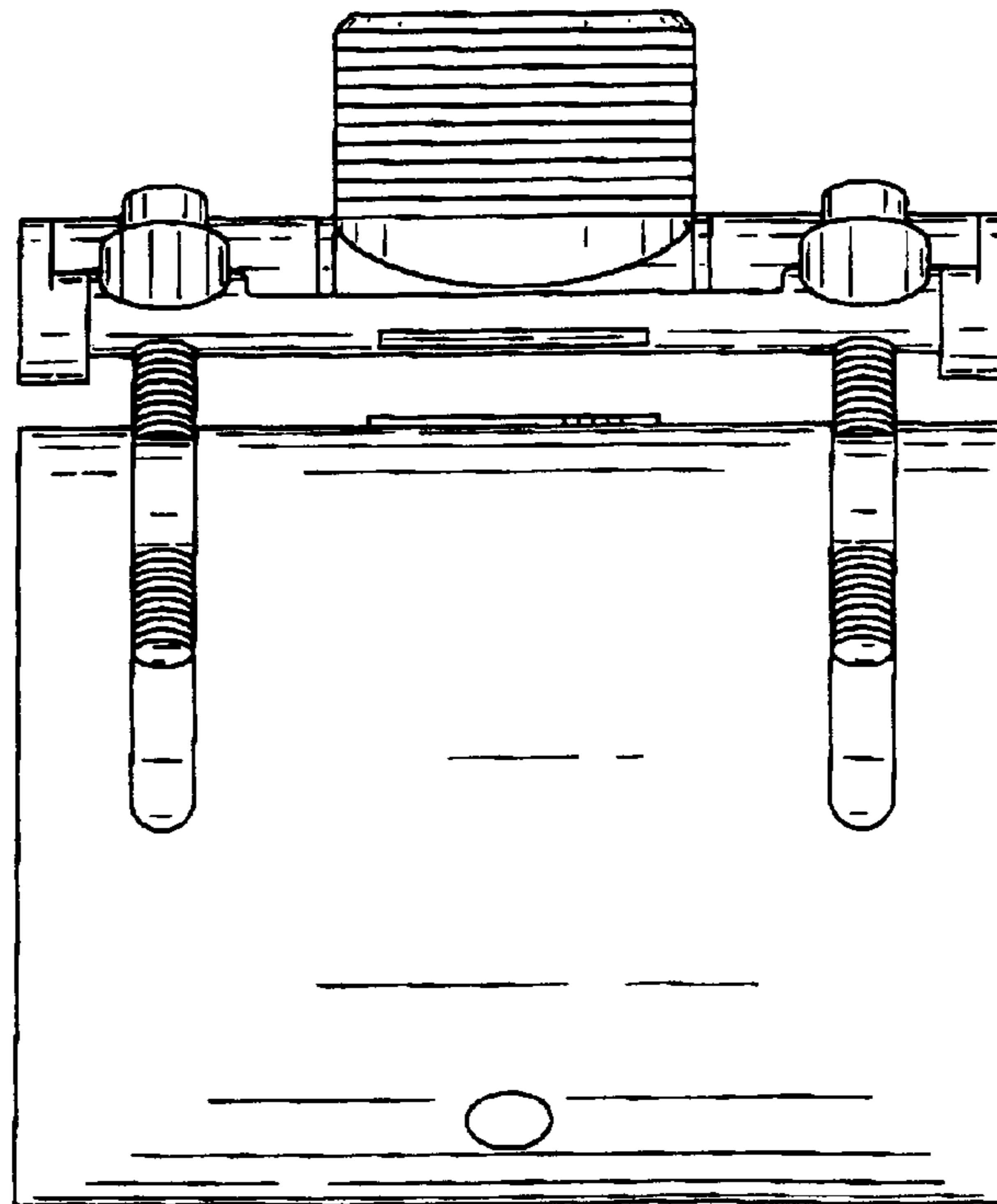
**FIG. 2**



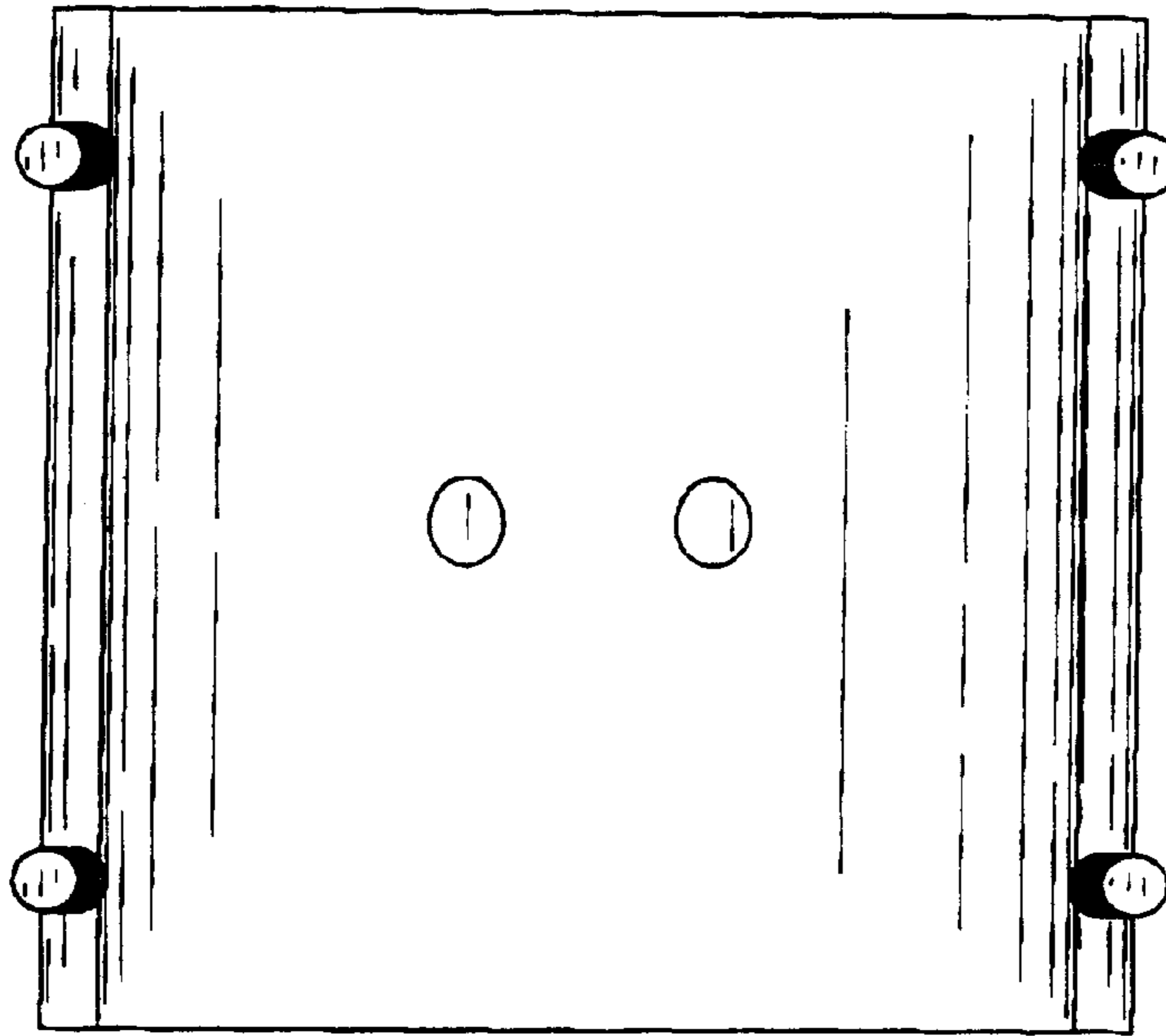
**FIG. 3**



**FIG. 4**



*FIG. 5*



*FIG. 6*

