

US00D451983B1

(12) **United States Design Patent**
Higgins

(10) **Patent No.:** **US D451,983 S**

(45) **Date of Patent:** **** Dec. 11, 2001**

(54) **TOILET TANK FILL VALVE**

(75) **Inventor:** **Bruce Wayne Higgins**, South Lyon, MI (US)

(73) **Assignee:** **Brass-Craft Manufacturing Company**, Novi, MI (US)

(**) **Term:** **14 Years**

(21) **Appl. No.:** **29/134,548**

(22) **Filed:** **Dec. 21, 2000**

(51) **LOC (7) Cl.** **23-01**

(52) **U.S. Cl.** **D23/236**

(58) **Field of Search** D23/233-237;
137/413-4, 432, 441; 4/324-5

(56) **References Cited**

U.S. PATENT DOCUMENTS

- D. 214,050 * 5/1969 Hudson D23/236
- D. 314,610 * 2/1991 Chen D23/236

- D. 439,313 * 3/2001 Wey et al. D23/236
- 4,735,230 * 4/1988 Detloff 137/315
- 6,081,938 * 4/2000 McClure et al. 4/325

* cited by examiner

Primary Examiner—Robin V. Taylor

(74) *Attorney, Agent, or Firm*—Edgar A. Zarins; Lloyd D. Doigan

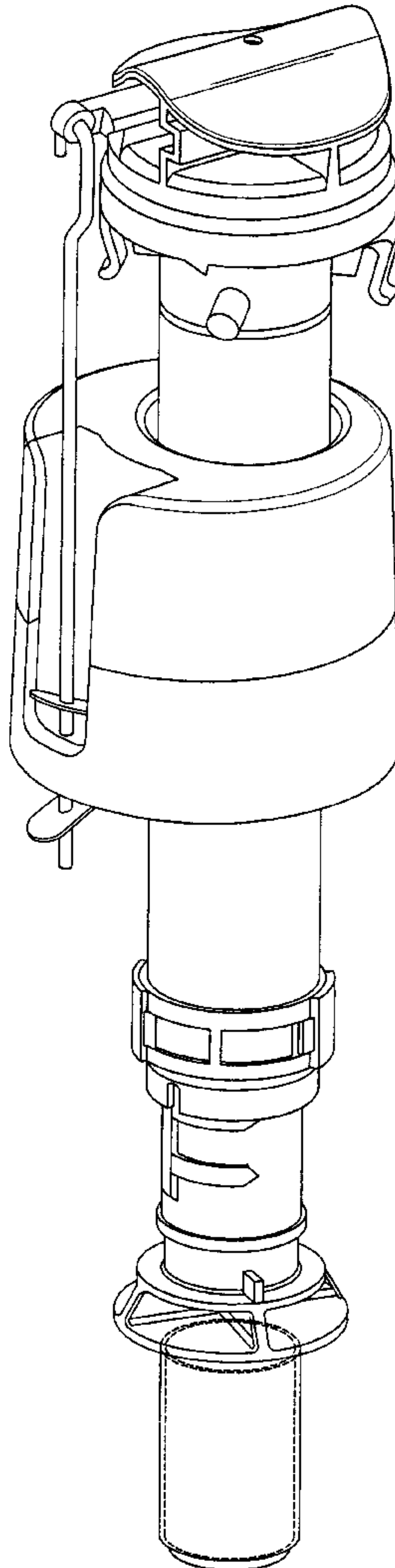
(57) **CLAIM**

The ornamental design for a toilet tank fill valve, as shown and described.

DESCRIPTION

FIG. 1 is a top perspective view of a toilet tank fill valve showing my new design;
FIG. 2 is a bottom perspective view thereof;
FIG. 3 is a right side view thereof; and,
FIG. 4 is a front elevational view thereof, the opposite side being a mirror image of the side shown.

1 Claim, 2 Drawing Sheets



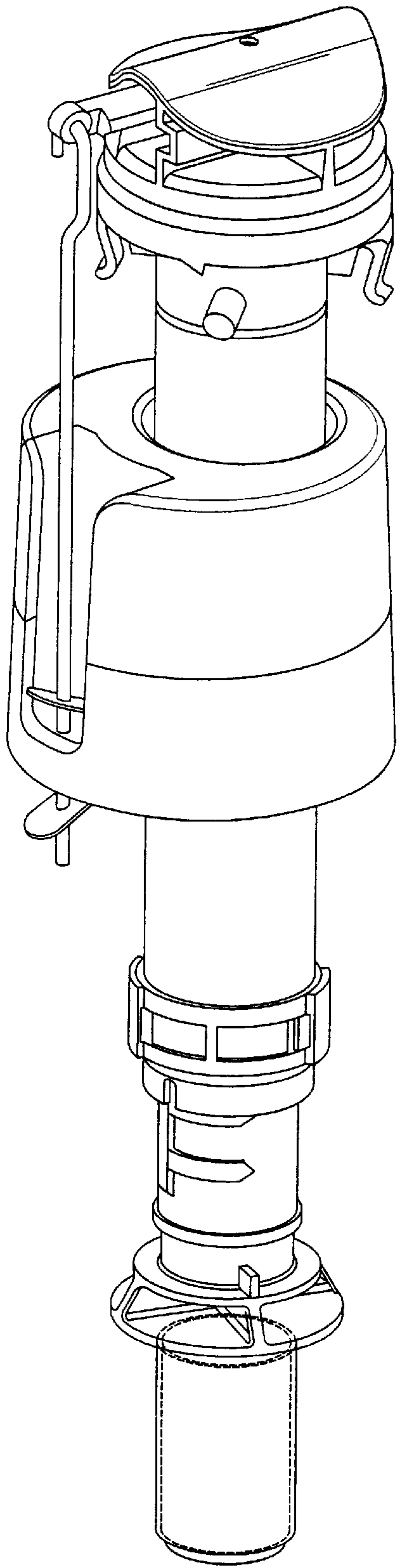


Fig-1

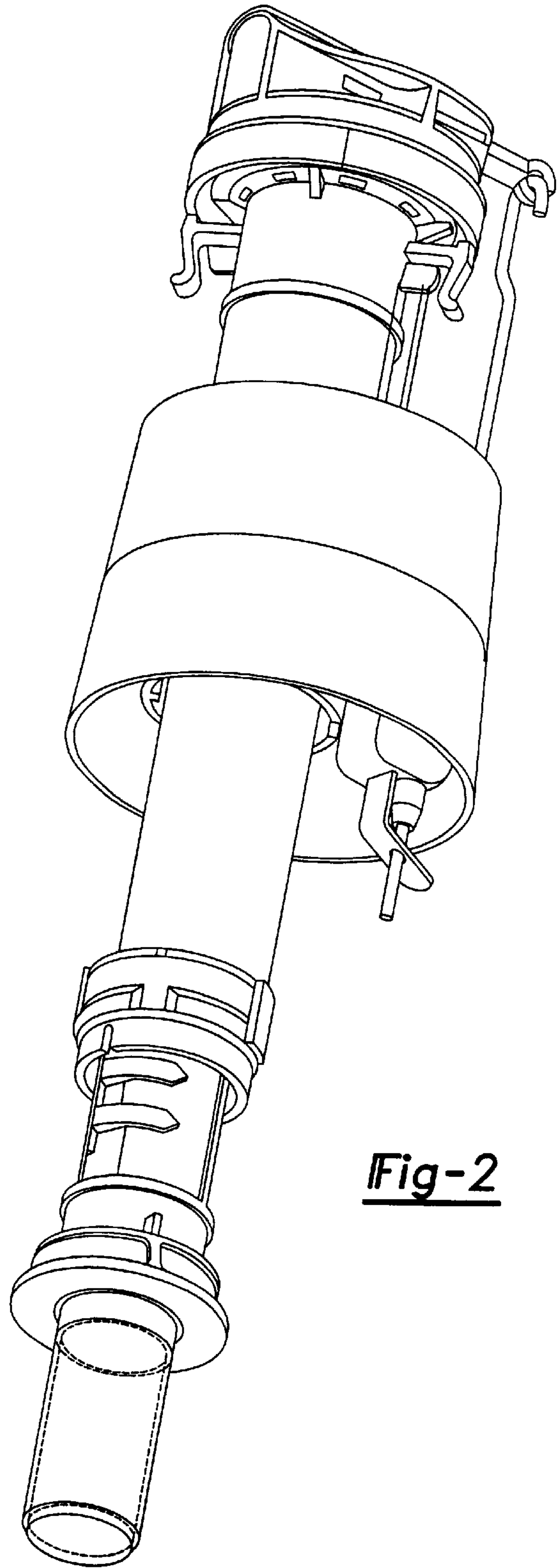


Fig-2

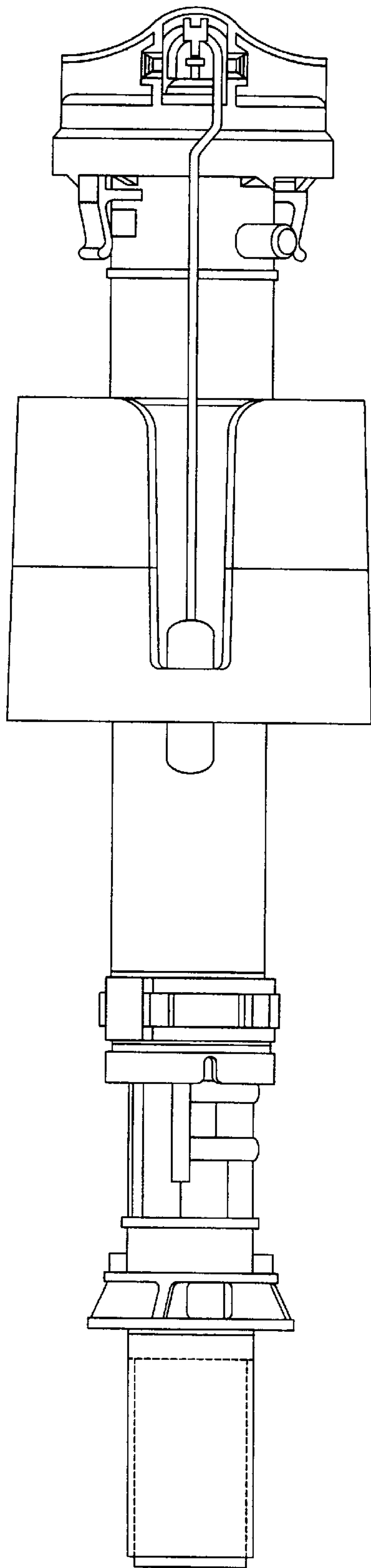


Fig-3

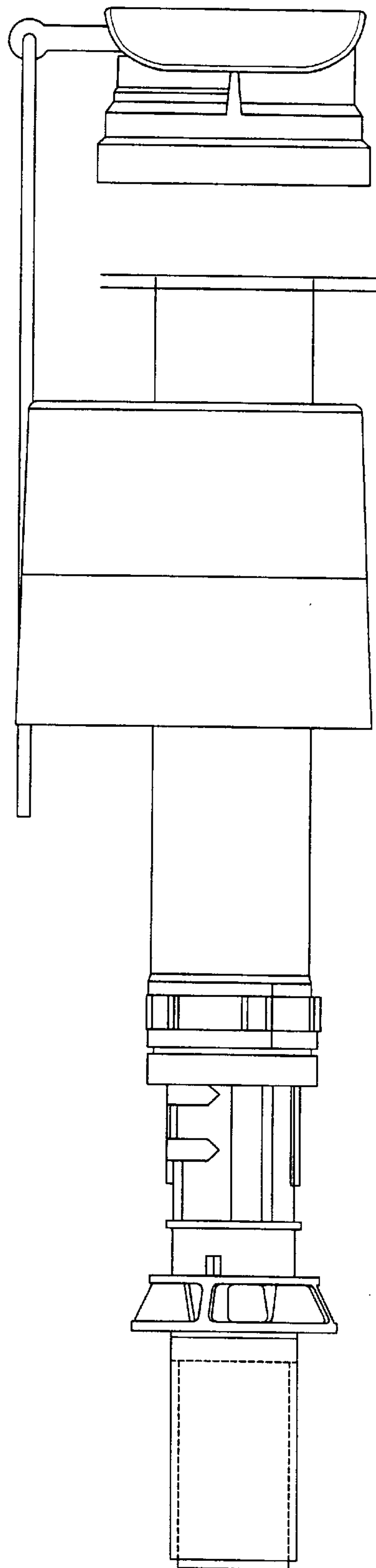


Fig-4