



US00D451977B1

(12) **United States Design Patent**
Urbano

(10) **Patent No.:** **US D451,977 S**

(45) **Date of Patent:** **** Dec. 11, 2001**

(54) **BALL AND AIR CHAMBER FOR A
PAINTBALL GUN**

Primary Examiner—Louis S. Zarfaz
Assistant Examiner—Monica A. Weingart

(76) **Inventor:** **Anthony Patrick Urbano**, 987 Patricia
Ct., Orange, CT (US) 06477

(57) **CLAIM**

(**) **Term:** **14 Years**

The ornamental design for a ball and air chamber for a
paintball gun, as shown and described.

(21) **Appl. No.:** **29/138,361**

(22) **Filed:** **Mar. 13, 2001**

DESCRIPTION

(51) **LOC (7) Cl.** **22-01**

(52) **U.S. Cl.** **D22/108**

(58) **Field of Search** D22/100, 104,
D22/105, 108, 199; D21/567, 573, 574;
124/83, 73, 74

FIG. 1 is a right side/front/top isometric view of a ball and
air chamber for a paintball gun, showing my new design, it
being understood that the matter shown in broken lines is for
illustrative purposes only and forms no part of the invention;

FIG. 2 is a left side elevational view thereof;

FIG. 3 is a right side elevational view thereof;

FIG. 4 is a top plan view thereof;

FIG. 5 is a bottom plan view thereof;

FIG. 6 is a front elevational view thereof;

FIG. 7 is a rear elevational view thereof; and,

FIG. 8 is a left side elevational view thereof, shown mounted
in a paintball gun, it being understood that the matter shown
in broken lines is for illustrative purposes only and forms no
part of the invention.

(56) **References Cited**

U.S. PATENT DOCUMENTS

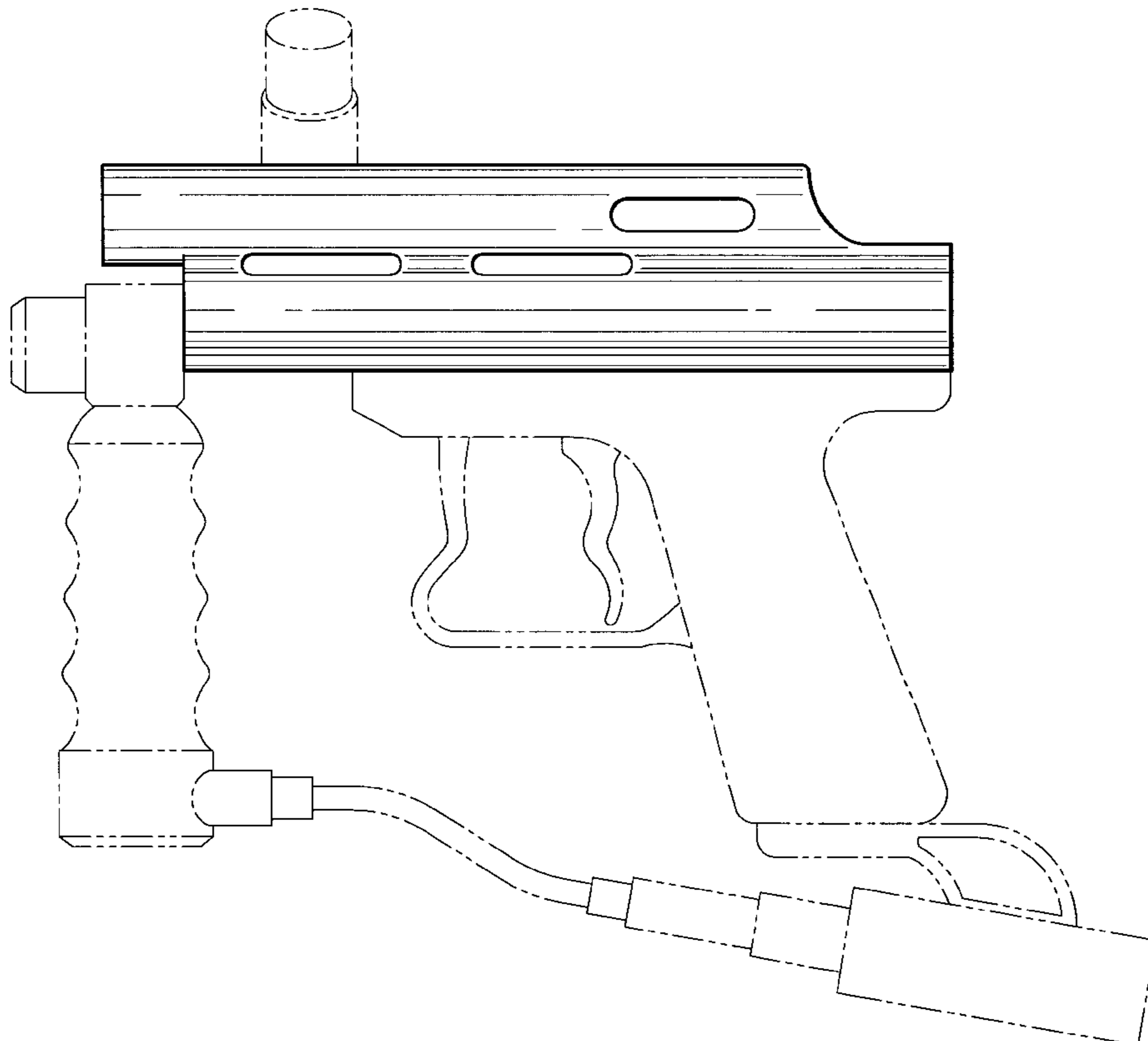
D. 443,903	*	6/2001	Wang	D21/574
5,494,024	*	2/1996	Scott	124/73
5,950,611	*	9/1999	Lopez et al.	124/73 X
6,062,208	*	5/2000	Seefeldt et al.	124/73 X
6,138,656	*	10/2000	Rice et al.	124/73
6,233,928	*	5/2001	Scott	124/73 X

OTHER PUBLICATIONS

The attached sheet of photographs shows a prior art ball and
air chamber mounted on a paintball gun. Date unknown, but
predates invention.

* cited by examiner

1 Claim, 5 Drawing Sheets



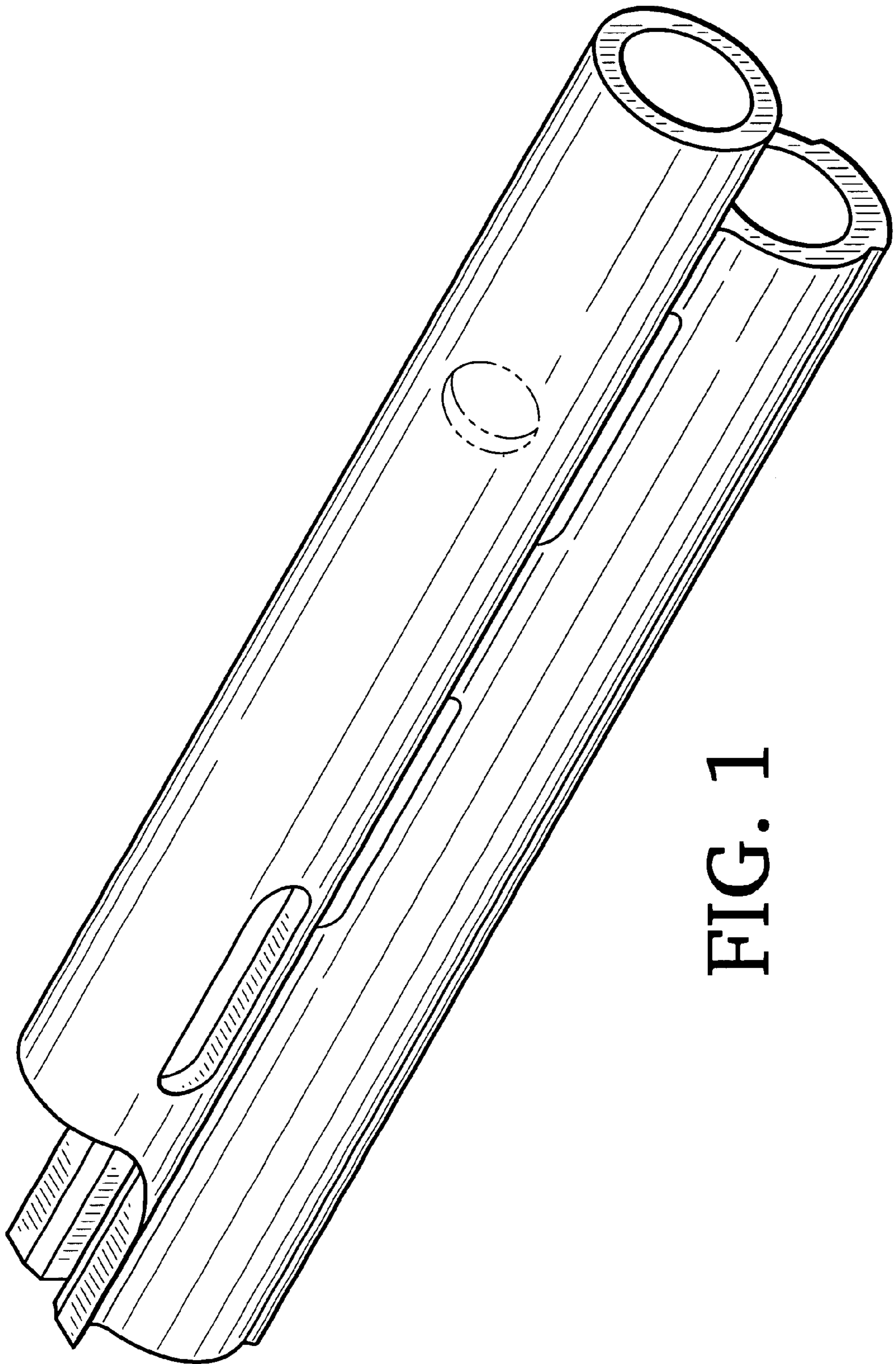


FIG. 1

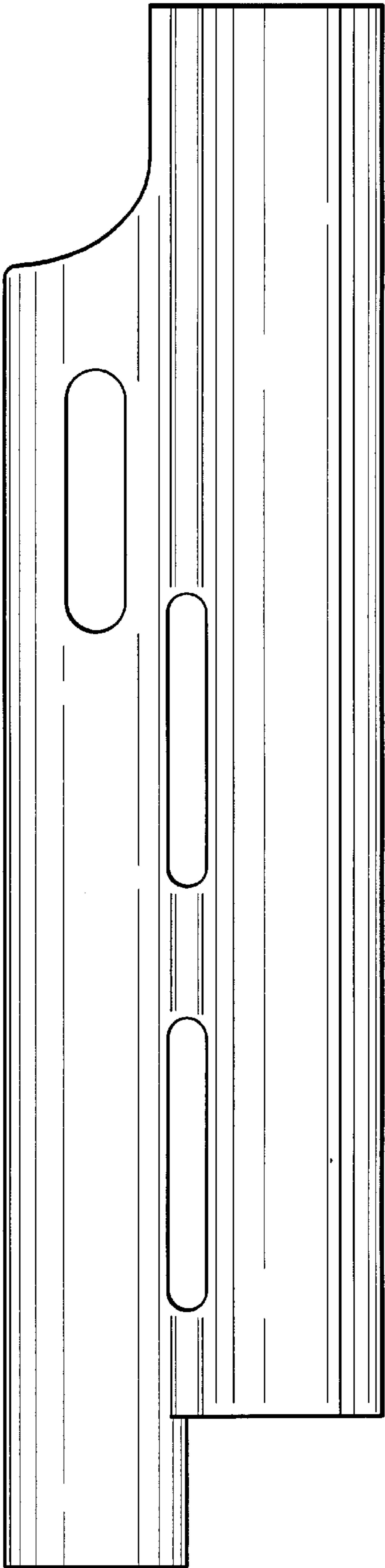


FIG. 2

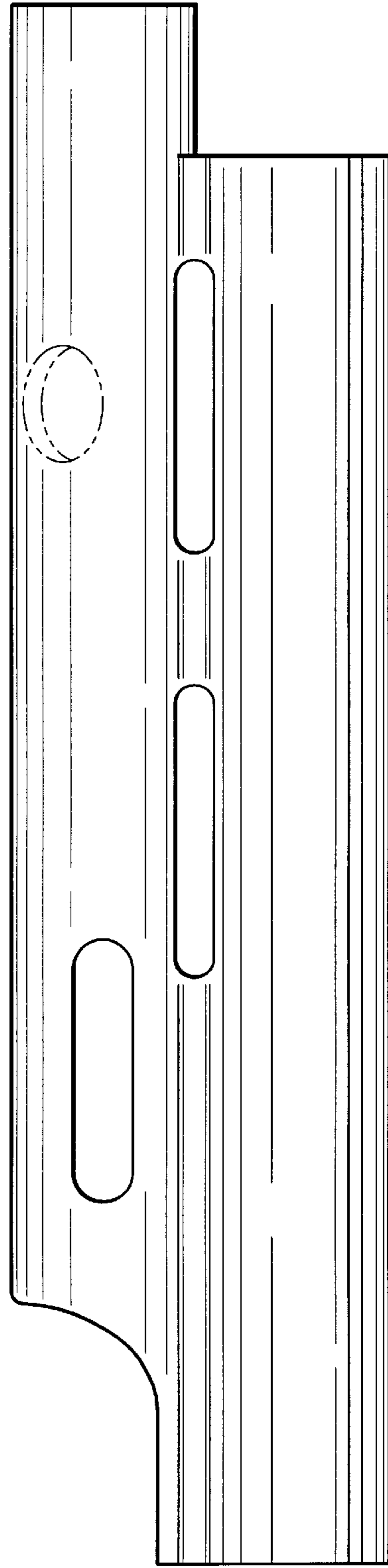


FIG. 3

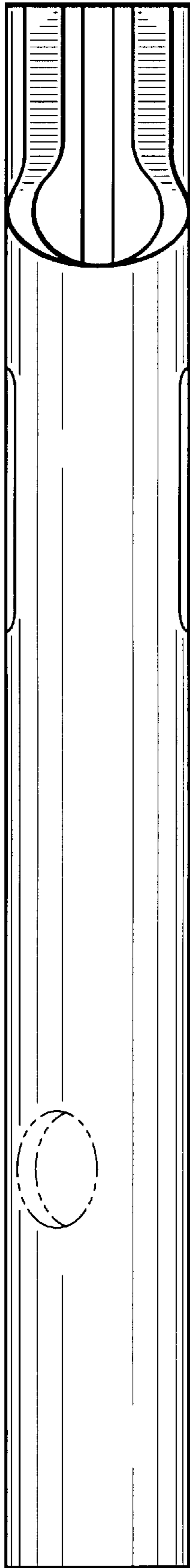


FIG. 4

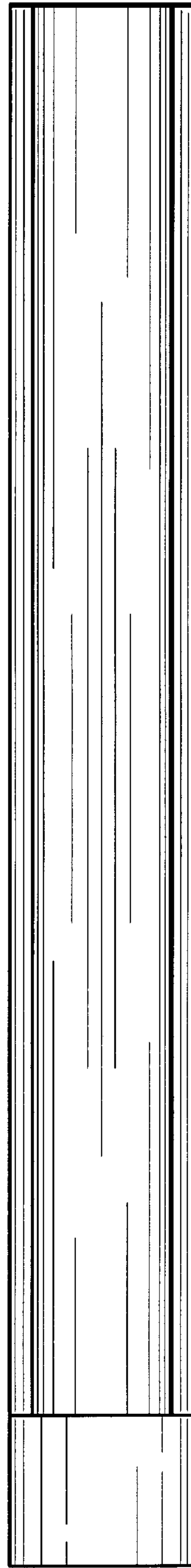


FIG. 5

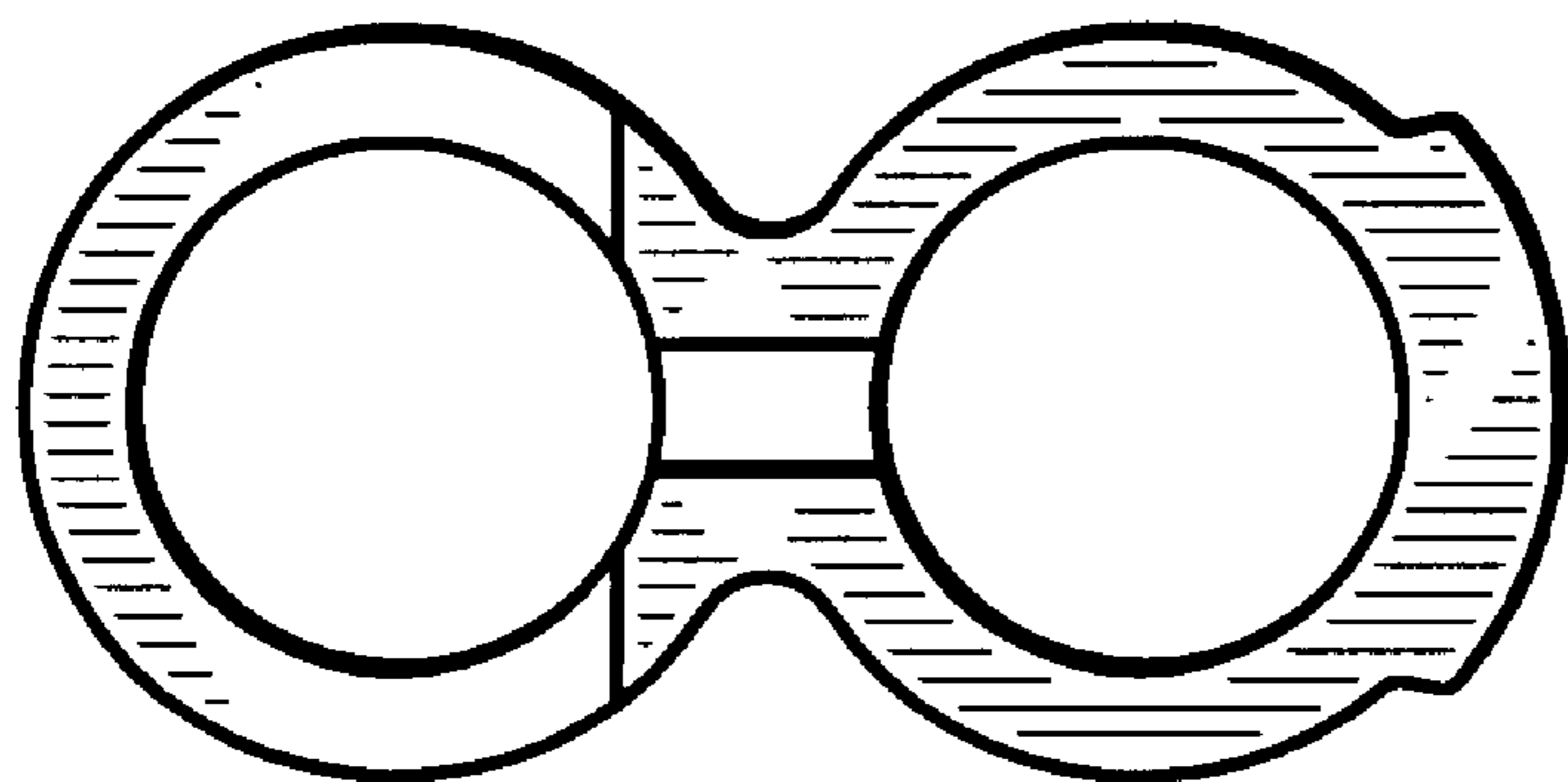


FIG. 6

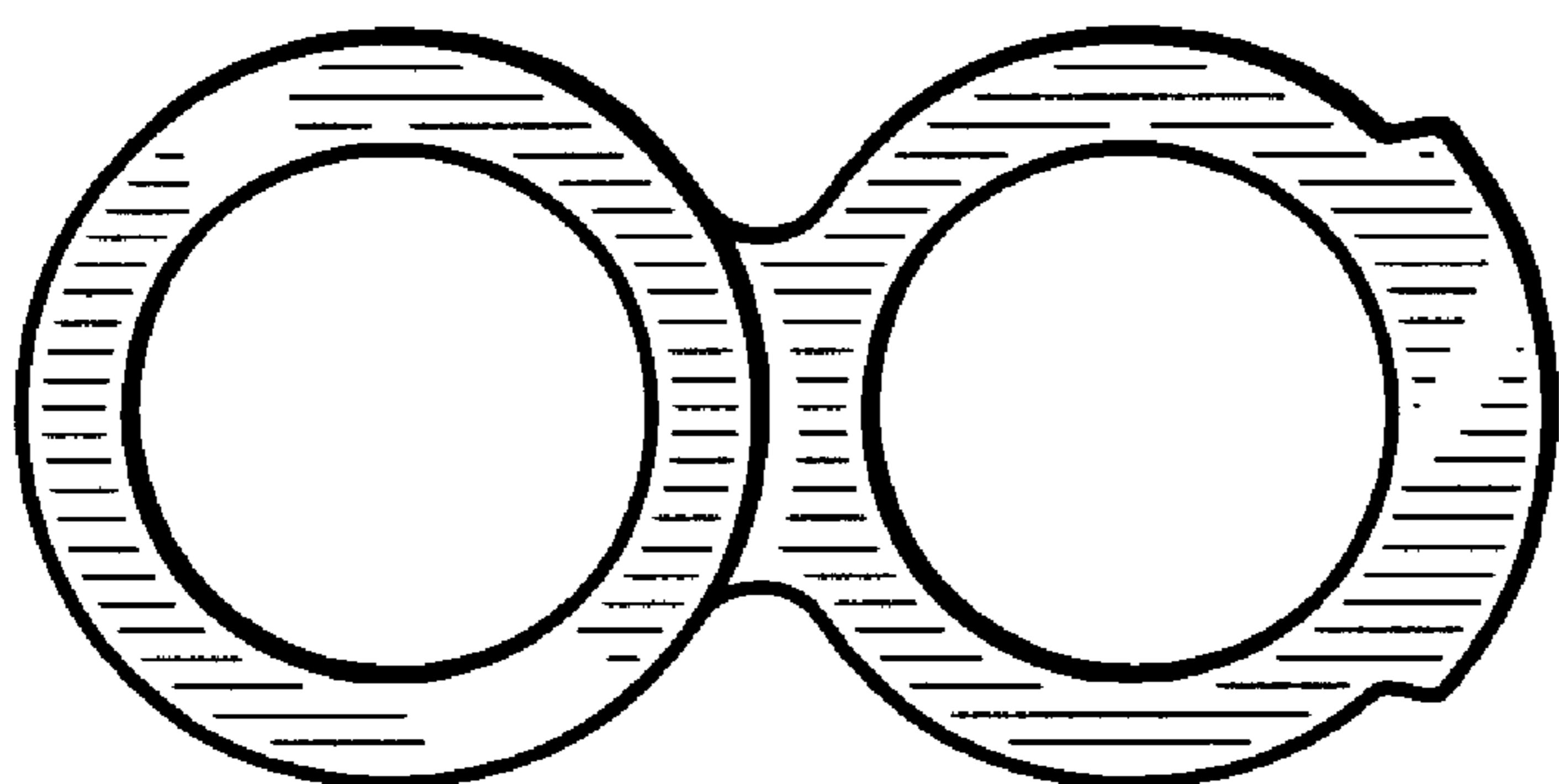


FIG. 7

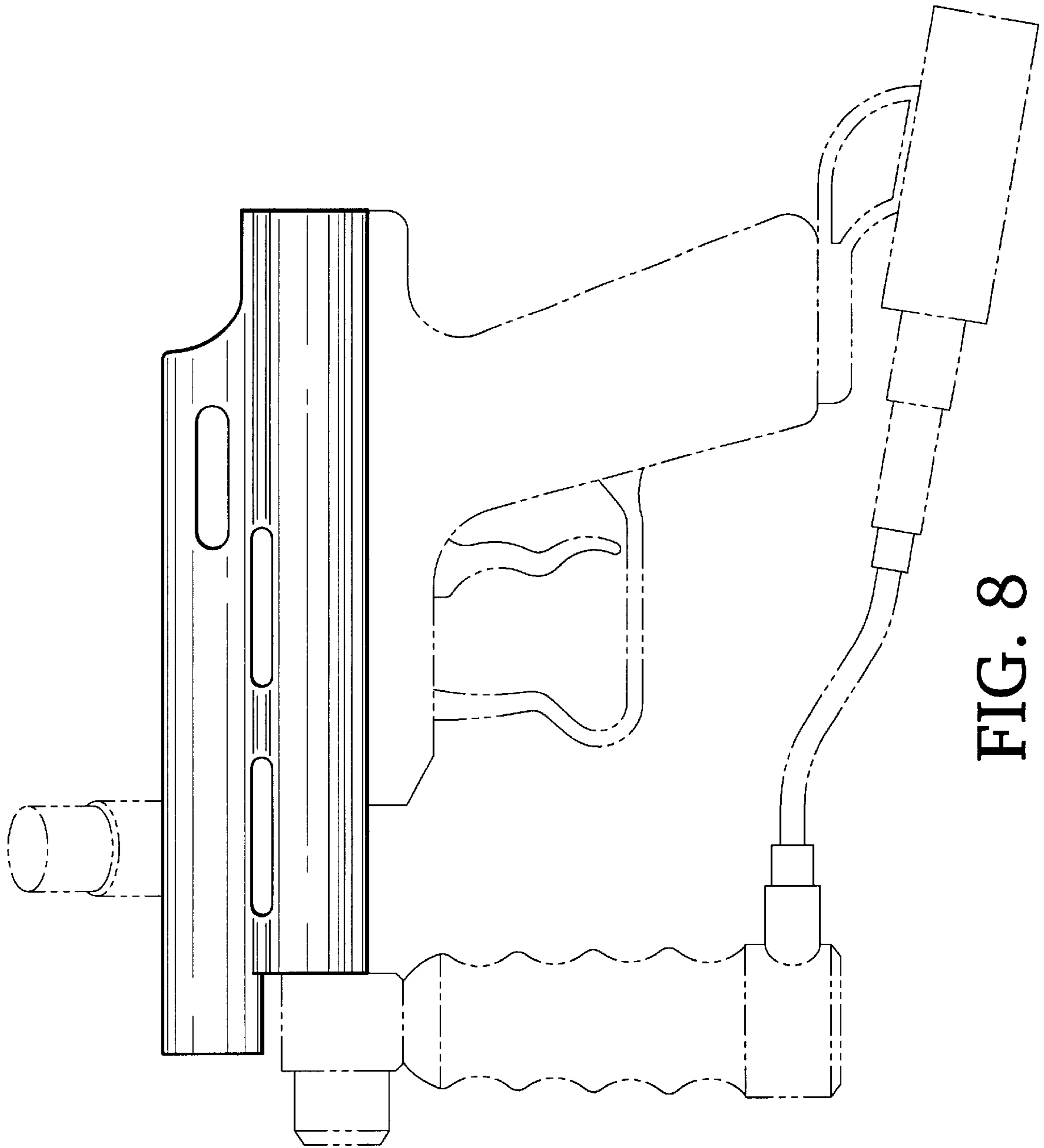


FIG. 8