



US00D451975B1

(12) **United States Design Patent**  
**Gordon**

(10) **Patent No.:** **US D451,975 S**

(45) **Date of Patent:** **\*\* Dec. 11, 2001**

(54) **INFLATABLE TRIPLE TUBE WATER  
FLOATATION TOY**

5,570,480 \* 11/1996 Yeung ..... 441/131 X  
6,220,908 \* 4/2001 Peterson ..... 441/66

(75) **Inventor:** **Donald W. Gordon**, Draper, UT (US)

\* cited by examiner

(73) **Assignee:** **Aviva Sports, L.L.C.**, Montreal, MO  
(US)

*Primary Examiner*—Kay H. Chin

(74) *Attorney, Agent, or Firm*—Mallinckrodt &  
Mallinckrodt; Robert R. Mallinckrodt; Brian R. Rayve

(\*\*) **Term:** **14 Years**

(57) **CLAIM**

(21) **Appl. No.:** **29/132,216**

The ornamental design for an inflatable triple tube water floatation toy, as shown and described.

(22) **Filed:** **Nov. 3, 2000**

(51) **LOC (7) Cl.** ..... **21-06**

**DESCRIPTION**

(52) **U.S. Cl.** ..... **D21/803; D21/801**

FIG. 1 is a perspective view of an inflatable triple tube water floatation toy showing my new design;

(58) **Field of Search** ..... D21/801, 803,

FIG. 2 is a top plan view thereof;

D21/811, 473; 441/65, 66, 67, 40, 129,  
130, 131; 114/345, 346; D12/316

FIG. 3 is a bottom plan view thereof;

FIG. 4 is a front elevational view thereof; and,

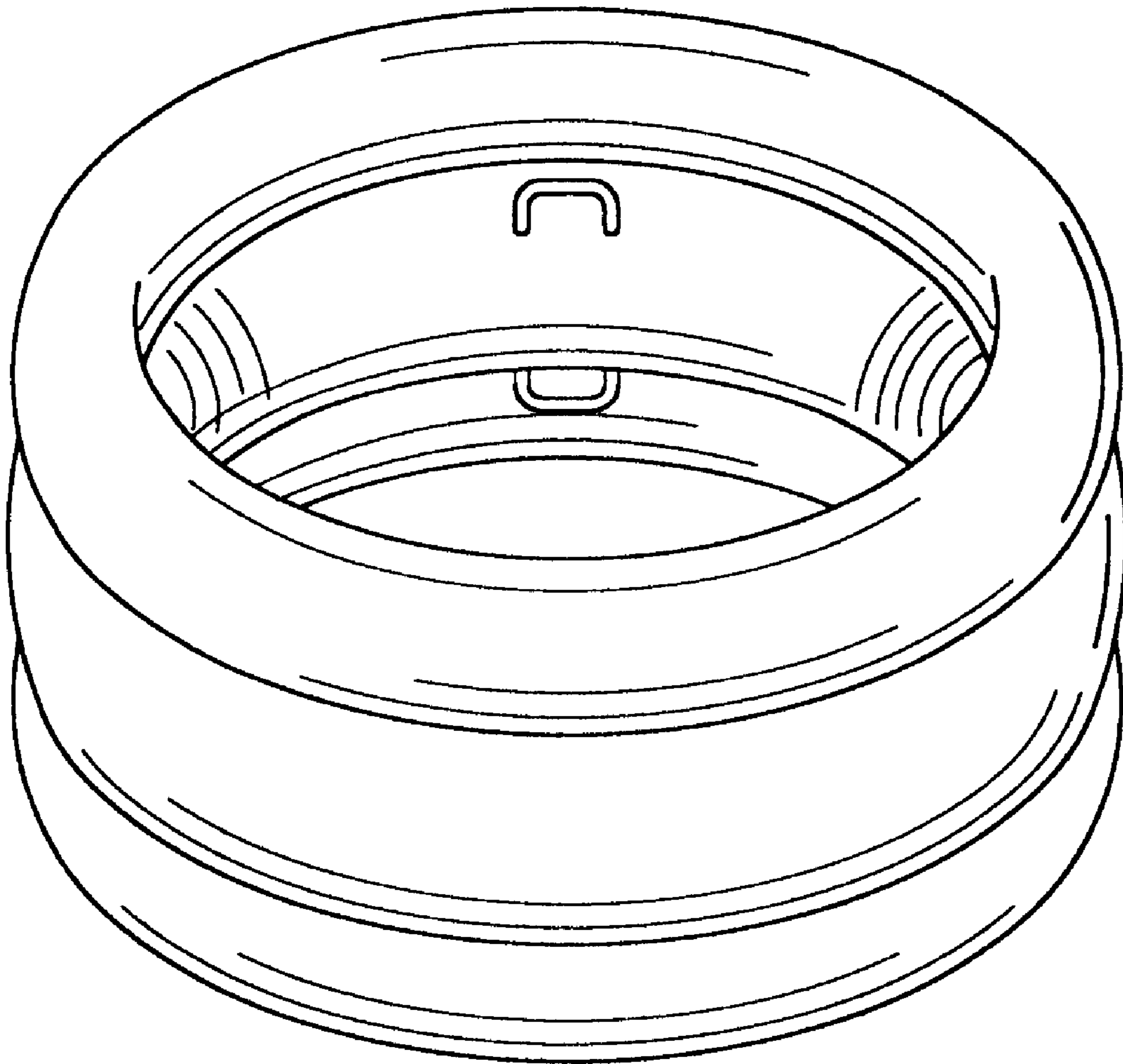
FIG. 5 is a rear elevational view thereof.

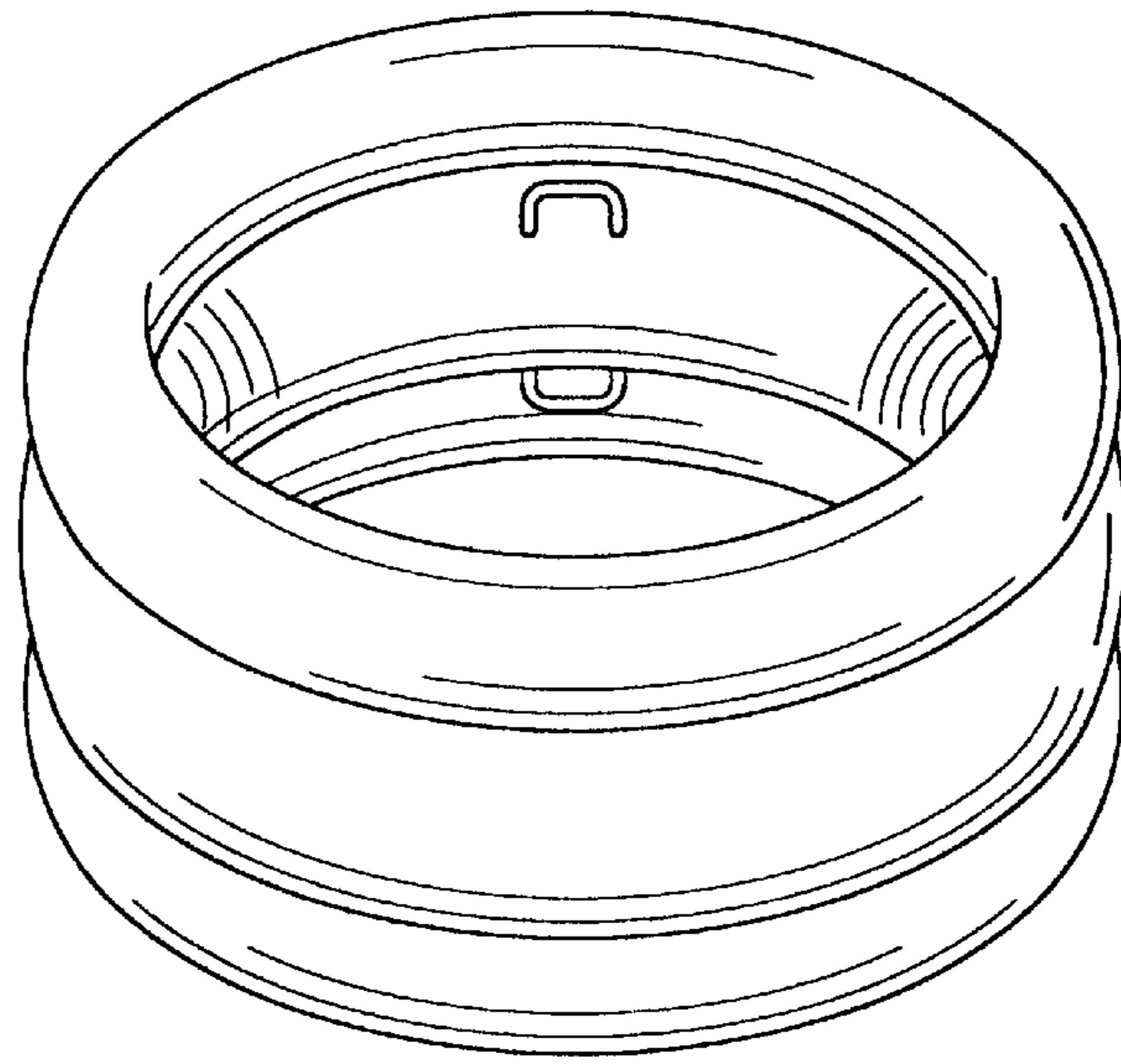
(56) **References Cited**

**U.S. PATENT DOCUMENTS**

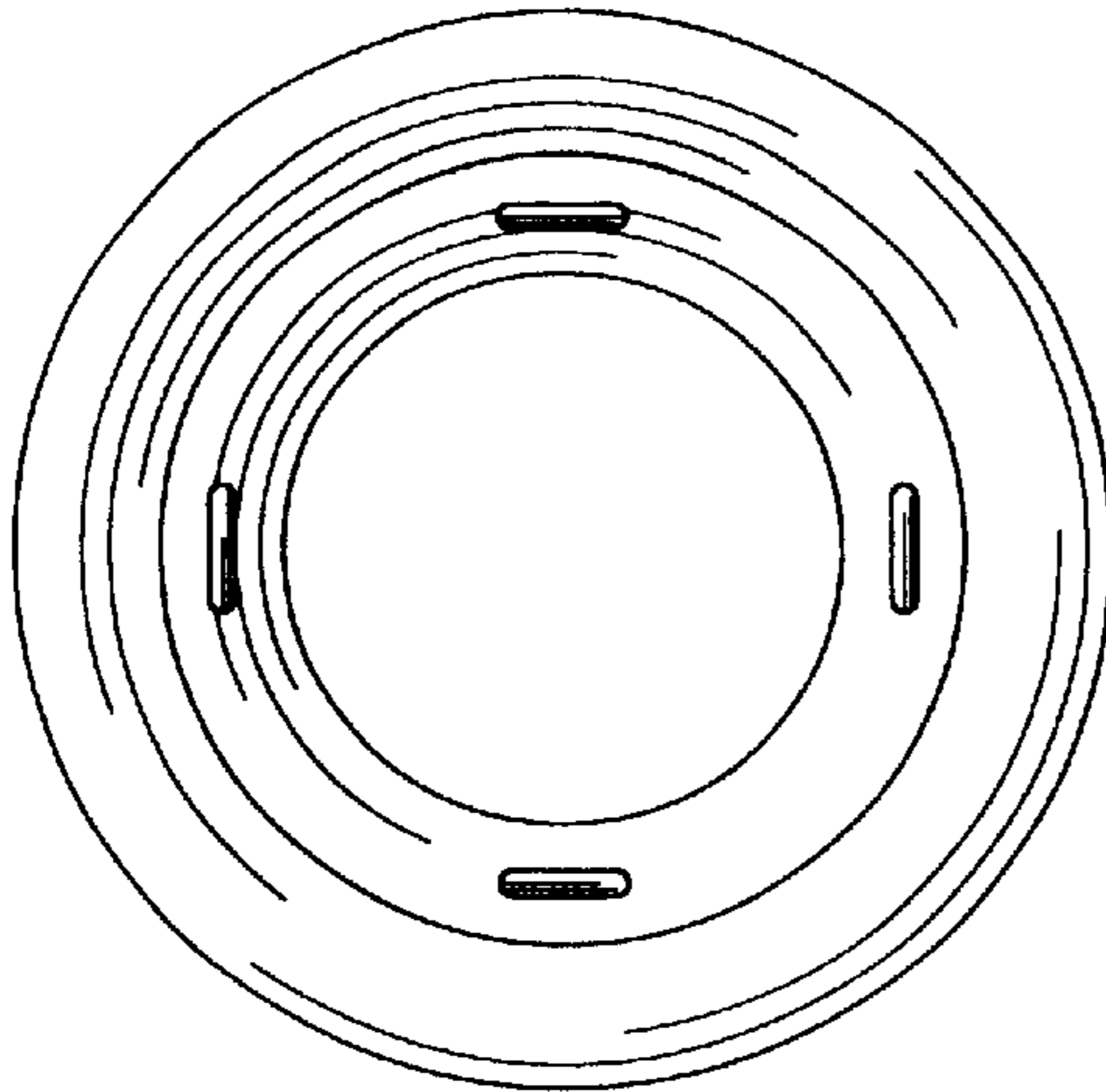
D. 383,504 \* 9/1997 Millington et al. .... D21/803

**1 Claim, 1 Drawing Sheet**

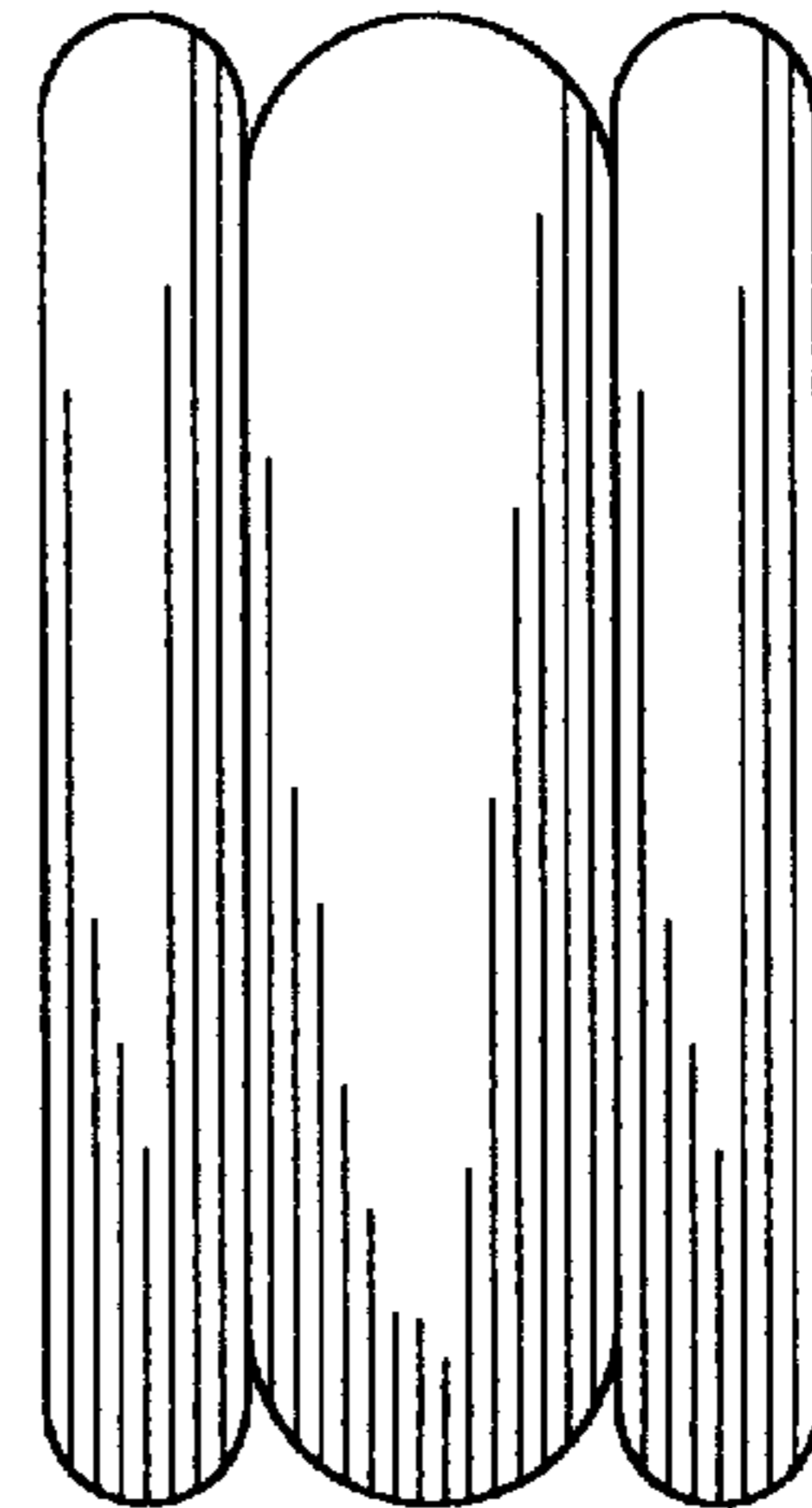




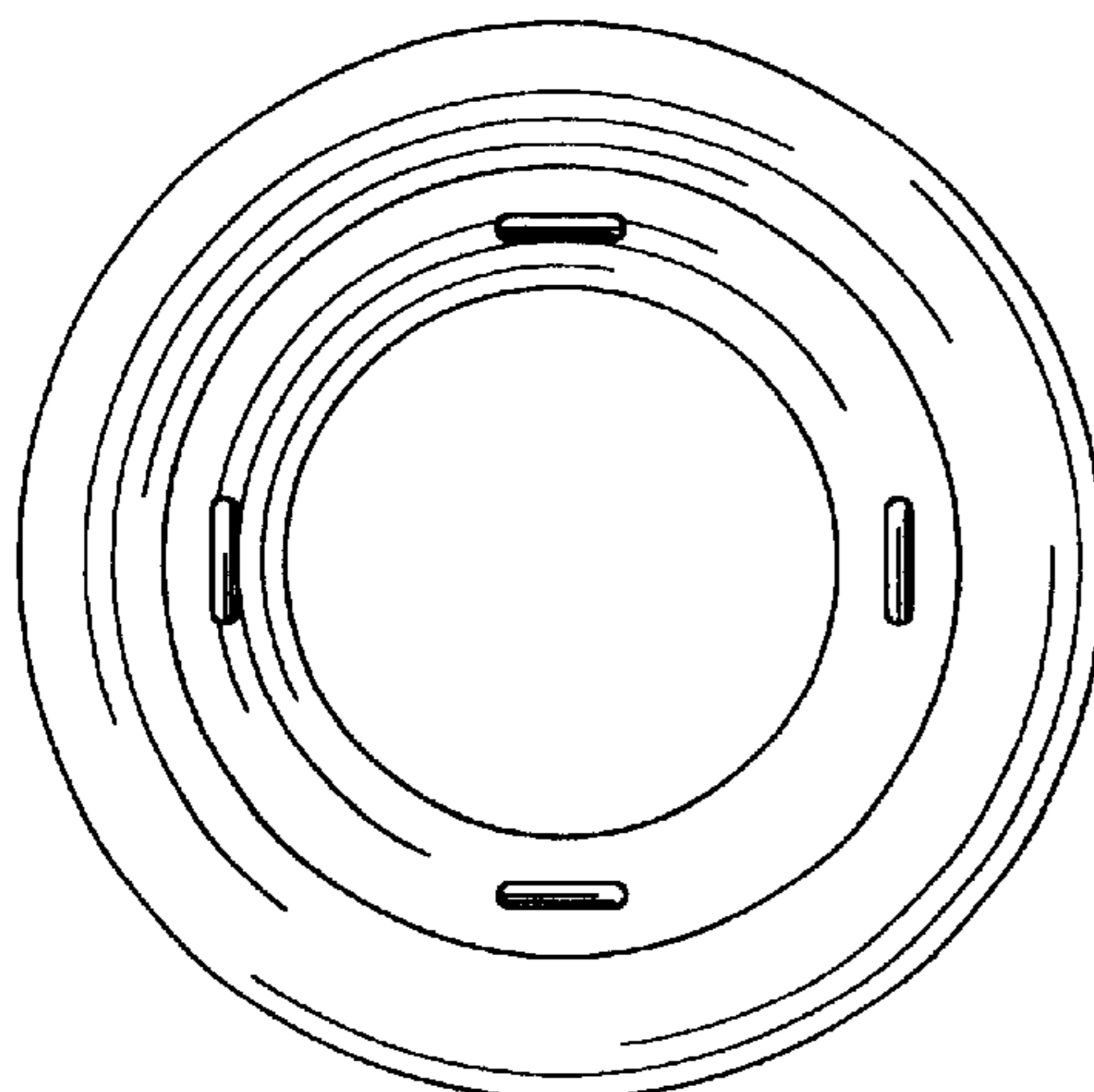
**FIG. 1**



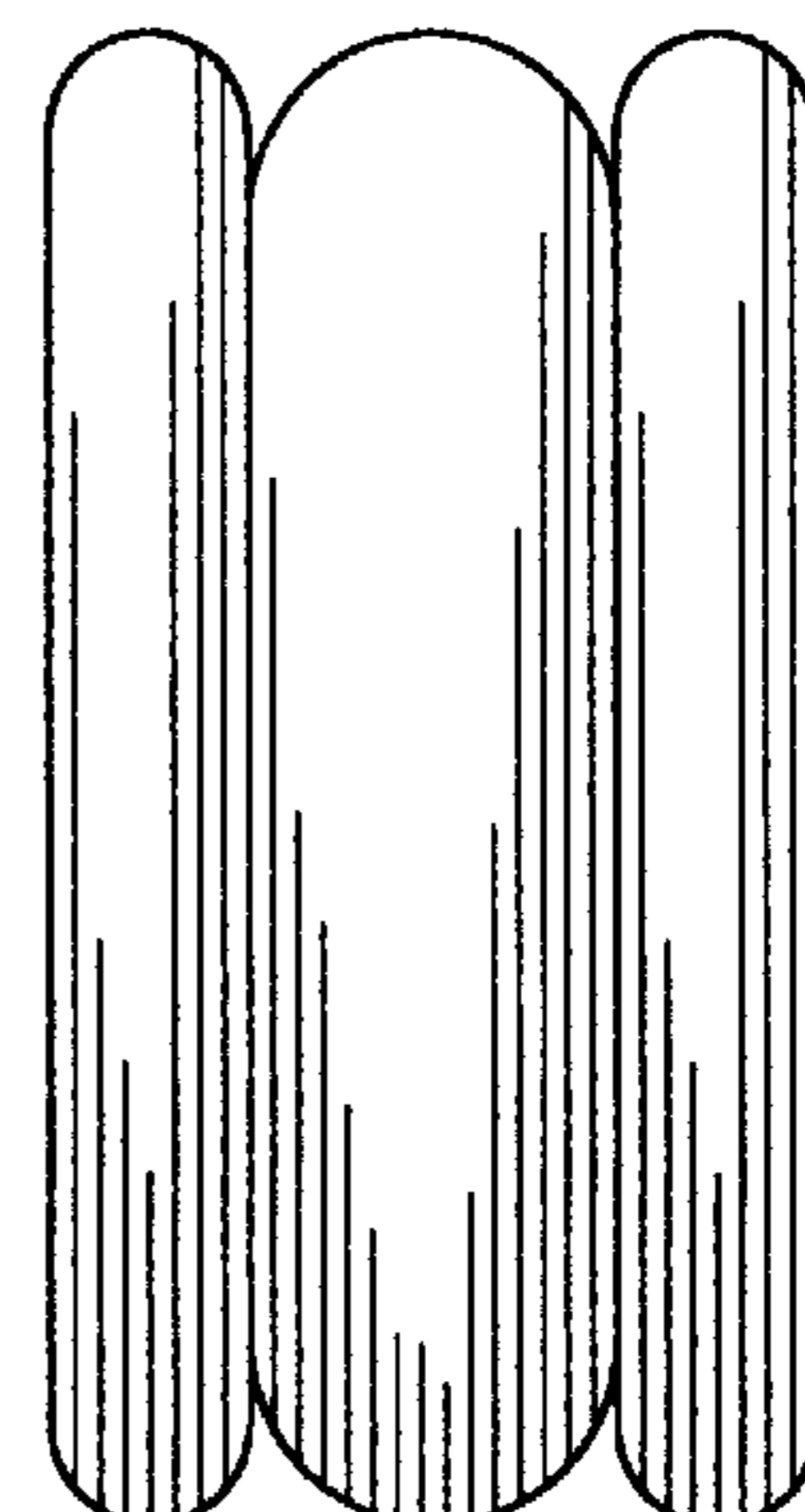
**FIG. 2**



**FIG. 4**



**FIG. 3**



**FIG. 5**