



US00D451974B1

(12) **United States Design Patent**
Holub

(10) **Patent No.:** **US D451,974 S**

(45) **Date of Patent:** **** Dec. 11, 2001**

(54) **GOLF ACCESSORY**

5,997,411 12/1999 Holub 473/282
6,033,322 3/2000 England 473/408

(76) Inventor: **Craig S. Holub**, 16 Field Street, Lively,
Ontario (CA), P3Y 1A9

(**) Term: **14 Years**

OTHER PUBLICATIONS

Golfmarket. Golf Magazine, Jul. 1997: p. 174.
Holiday Gift Guide. Golf Magazine, Nov. 1997: p. 157.
Golfmarket. Golf Magazine, Jun. 1996: p. 202.

(21) Appl. No.: **29/132,791**

* cited by examiner

(22) Filed: **Nov. 16, 2000**

Primary Examiner—Mitchell Siegel

(51) **LOC (7) Cl.** **21-02**

(74) *Attorney, Agent, or Firm*—Dimock Stratton Clarizio;
Mark B. Eisen

(52) **U.S. Cl.** **D21/793**

(58) **Field of Search** D21/789, 793;
473/286, 408

(57) **CLAIM**

(56) **References Cited**

The ornamental design for a golf accessory, as shown and described.

U.S. PATENT DOCUMENTS

DESCRIPTION

D. 300,160	*	3/1989	Johnson	D21/793
D. 395,480		6/1998	Chou .		
D. 401,296	*	11/1998	Cole et al.	D21/793
D. 436,640	*	1/2001	Holub	D21/793
3,349,422		10/1967	Heil	15/160
4,960,278		10/1990	Hainey	273/32 B
4,971,126		11/1990	Borenstein	150/160
5,215,136		6/1993	Flanders et al.	150/160
5,226,647		7/1993	Notarmuzi	273/32 B
5,759,111		6/1998	Clark	473/285

FIG. 1 is a perspective view of the golf accessory;
FIG. 2 is a top plan view thereof;
FIG. 3 is a left side elevation thereof;
FIG. 4 is a bottom plan view thereof;
FIG. 5 is a right side elevation thereof;
FIG. 6 is a front end elevation thereof; and,
FIG. 7 is a rear end elevation thereof.

1 Claim, 2 Drawing Sheets

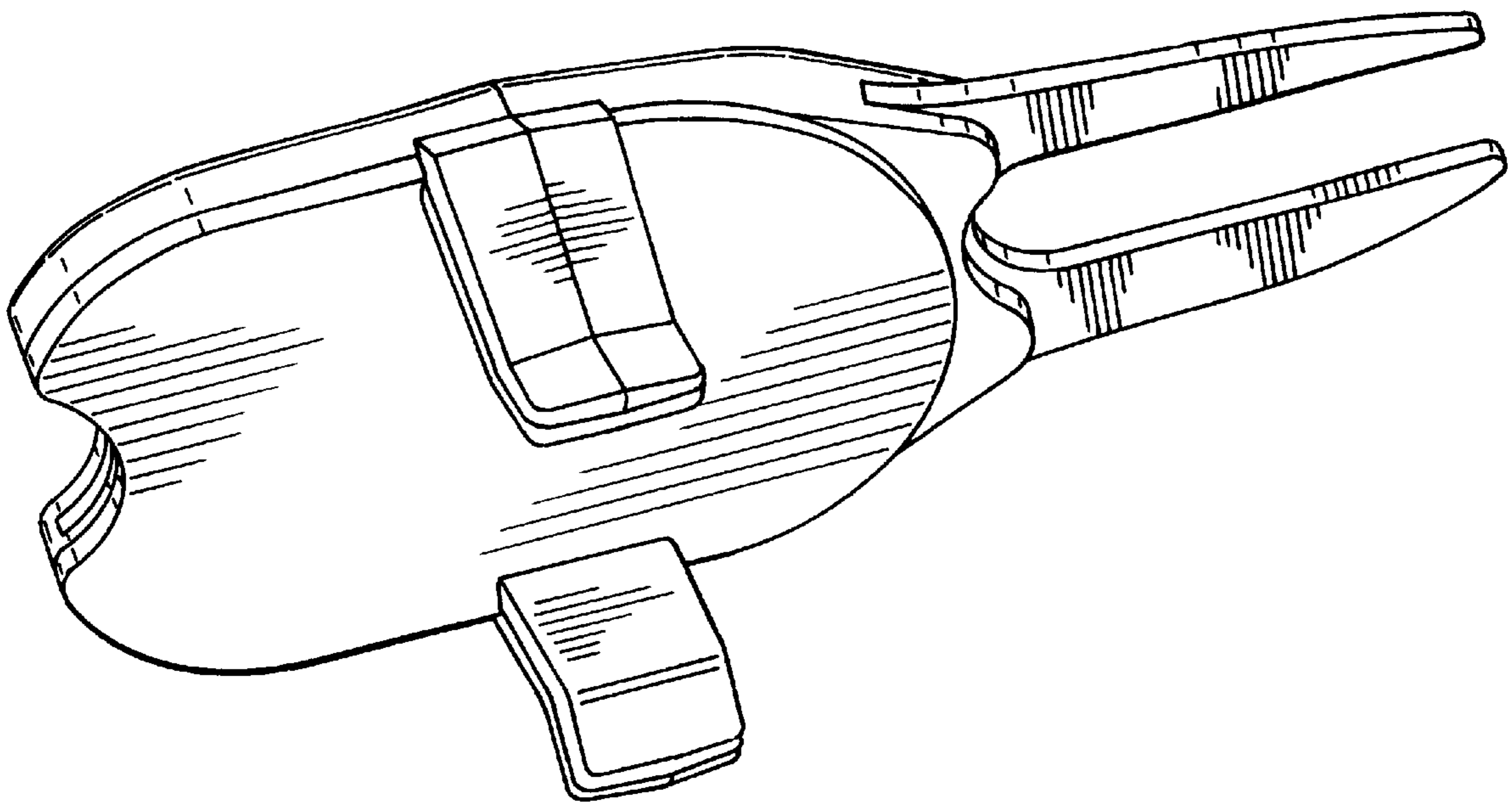


FIG. 1.

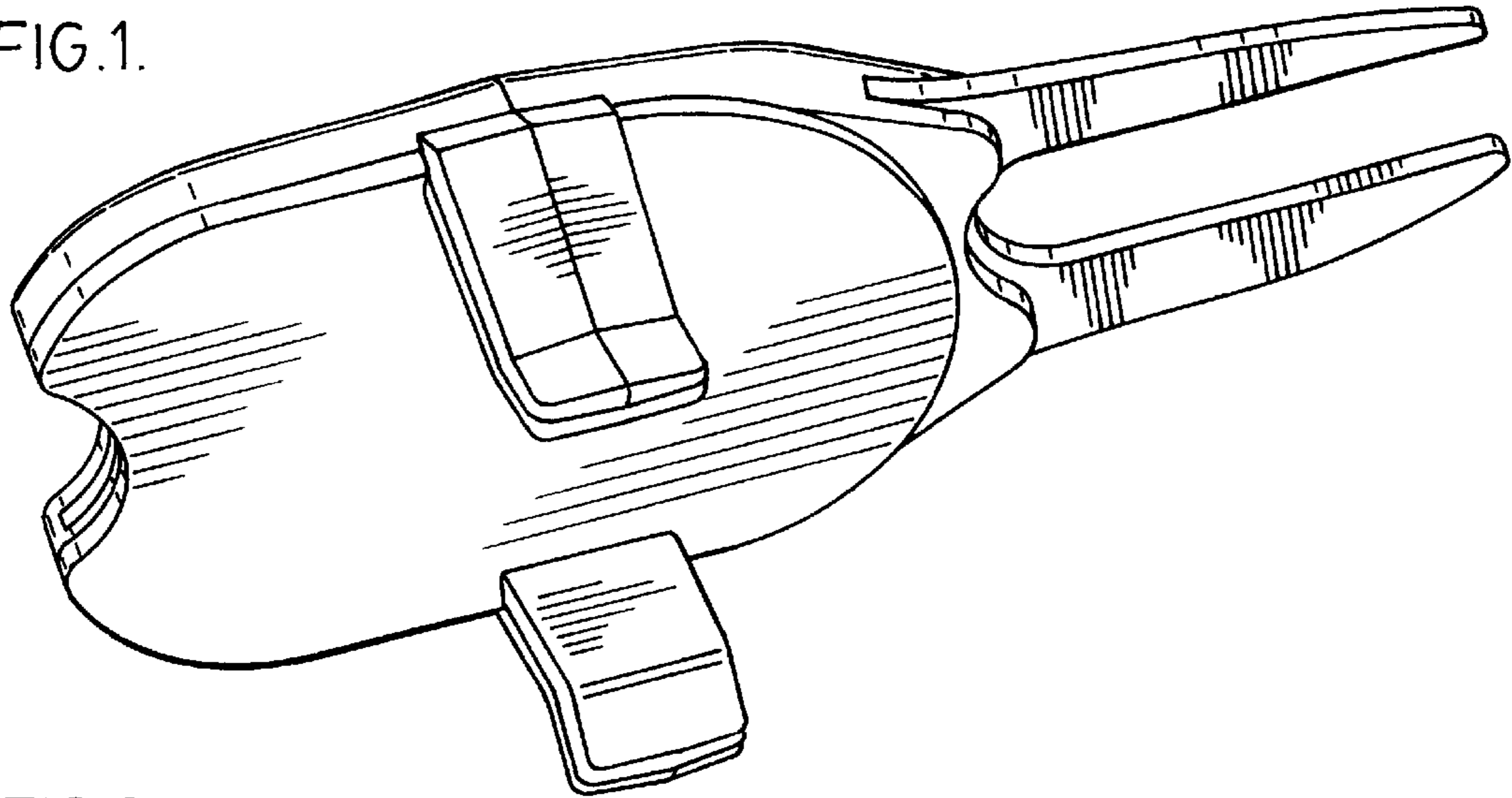


FIG. 2.

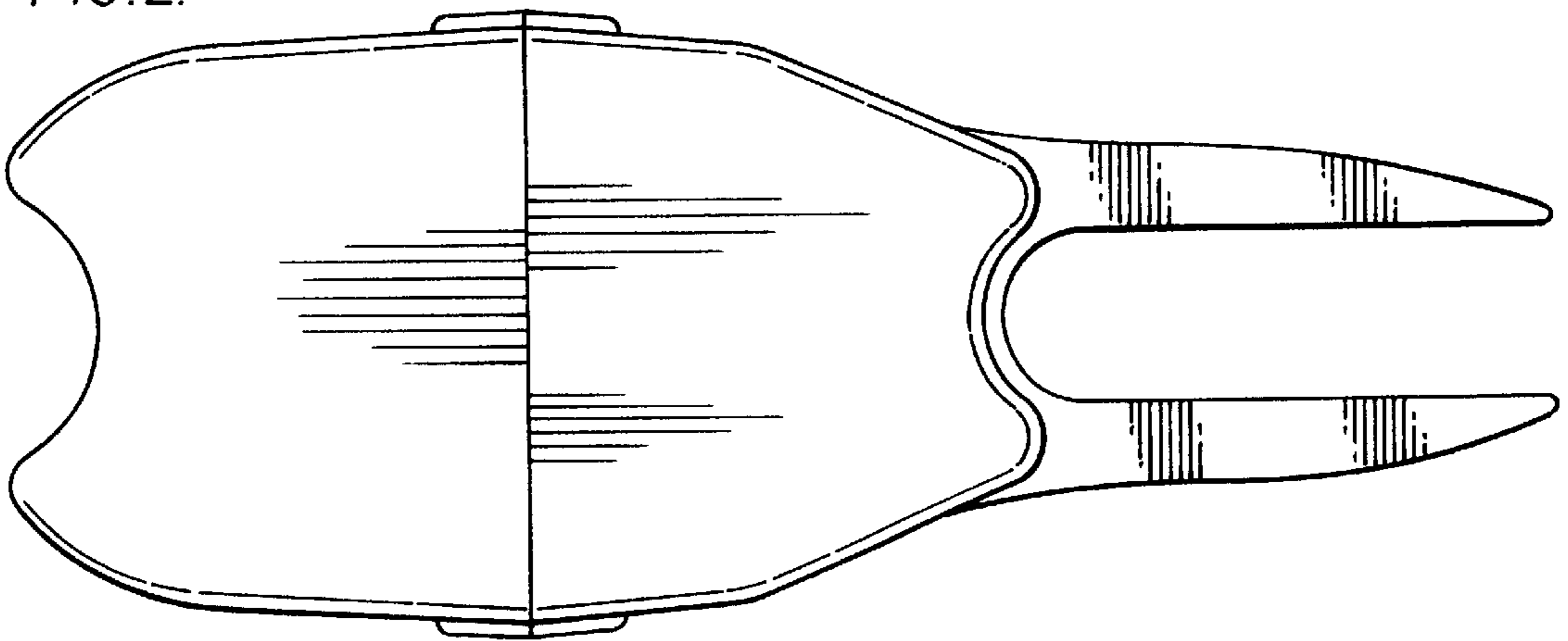


FIG. 3.

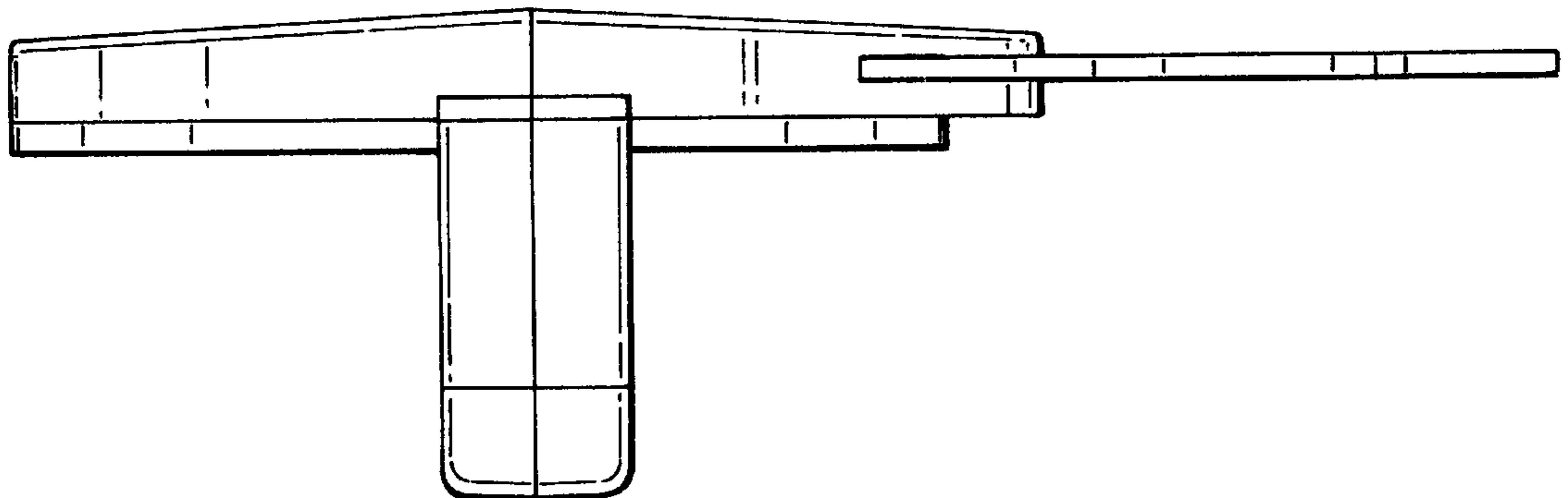


FIG. 4.

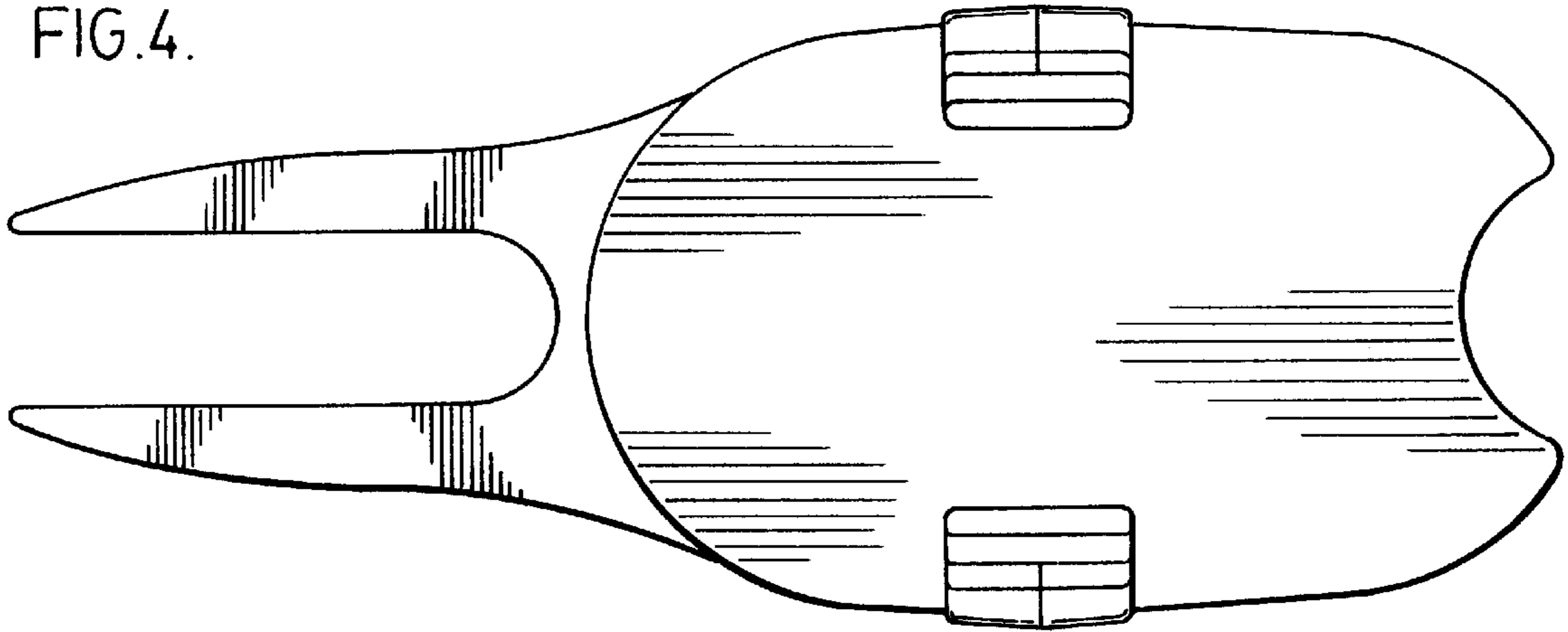


FIG. 5.

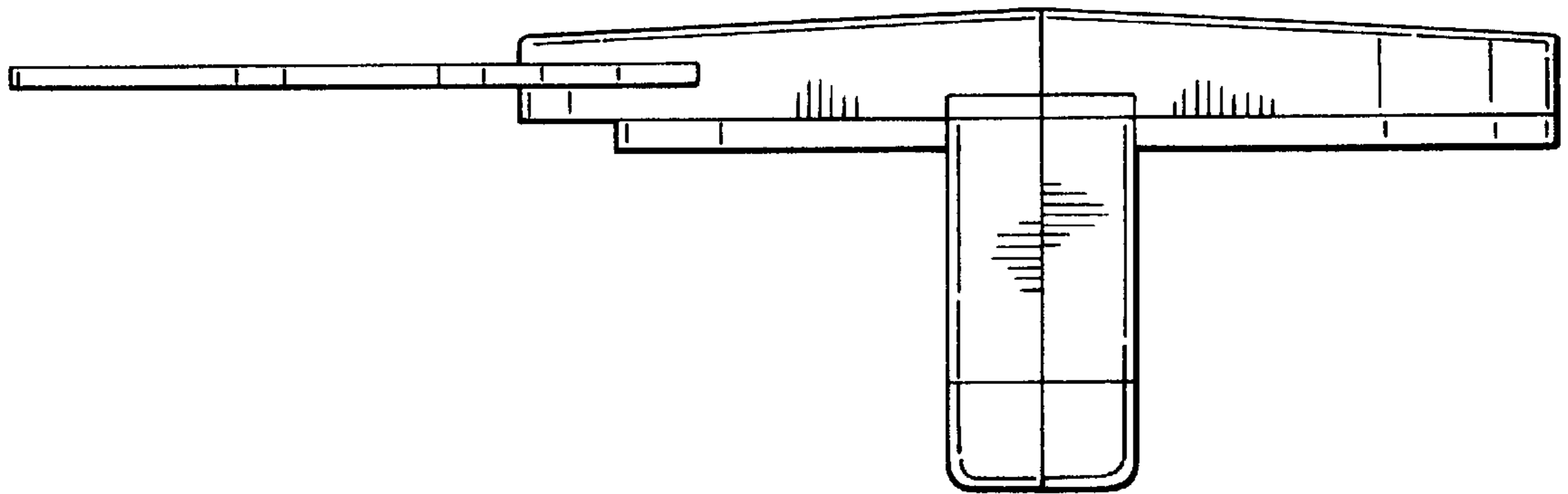


FIG. 6.

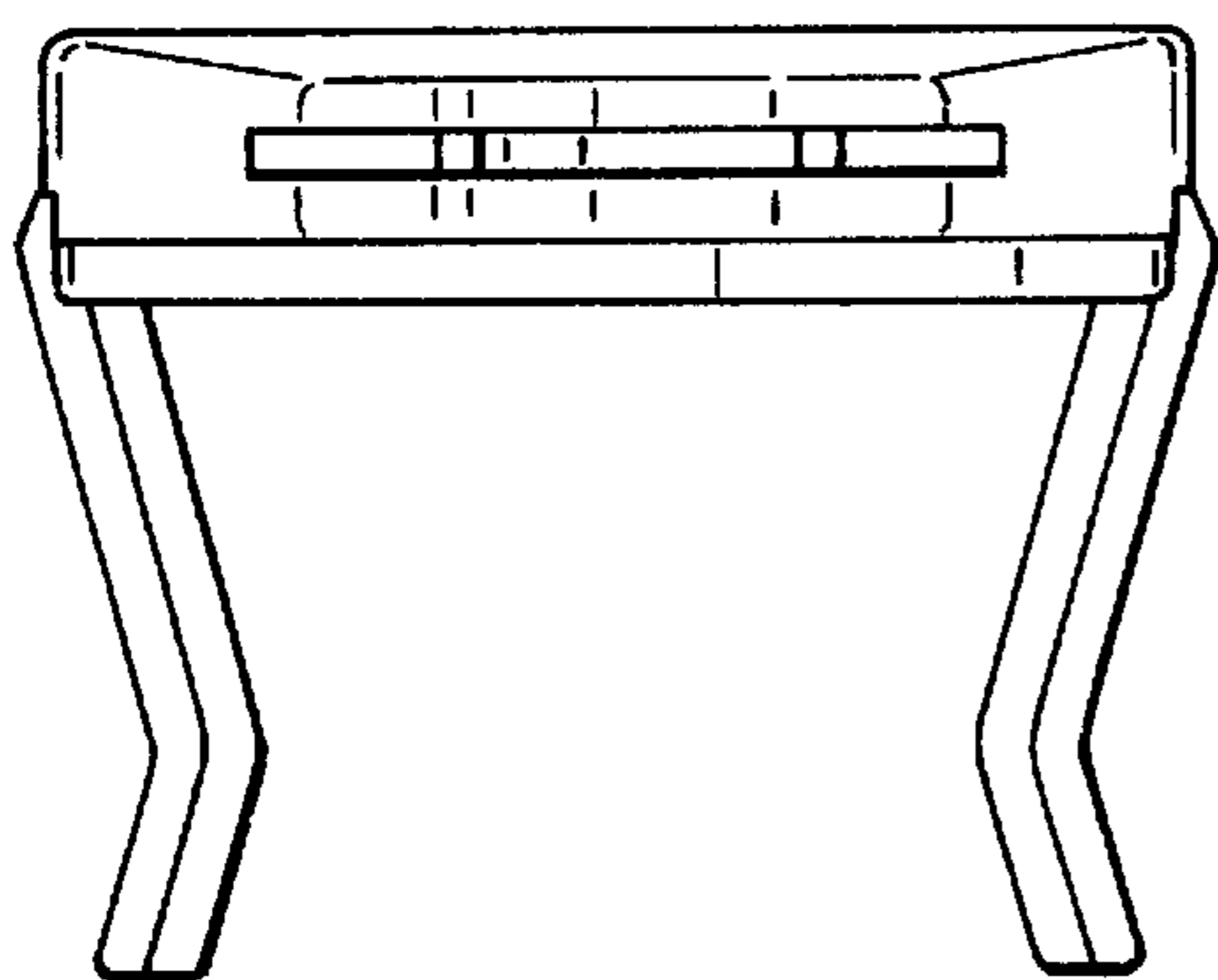


FIG. 7.

