



US00D451968B1

(12) **United States Design Patent**  
**Sano**

(10) **Patent No.:** **US D451,968 S**

(45) **Date of Patent:** **\*\* Dec. 11, 2001**

(54) **MEDAL GAME MACHINE**  
(75) Inventor: **Rintaro Sano**, Tokyo (JP)  
(73) Assignee: **Sega Corporation**, Tokyo (JP)  
(\*\*) Term: **14 Years**

D. 424,122 \* 5/2000 Dickenson et al. .... D21/325  
4,710,873 \* 12/1987 Breslow et al. .... 463/31  
5,221,083 \* 6/1993 Dote ..... 463/32  
5,456,468 \* 10/1995 Stingfellow et al. .... 463/46  
6,201,532 \* 3/2001 Tode et al. .... 345/156

\* cited by examiner

(21) Appl. No.: **29/131,428**  
(22) Filed: **Oct. 20, 2000**

*Primary Examiner*—Prabhakar Deshmukh  
(74) *Attorney, Agent, or Firm*—Ladas & Parry

(30) **Foreign Application Priority Data**

Jul. 17, 2000 (JP) ..... 12-022948

(57) **CLAIM**

The ornamental design for a medal game machine, as shown and described.

(51) **LOC (7) Cl.** ..... **21-01**  
(52) **U.S. Cl.** ..... **D21/325; D21/329**  
(58) **Field of Search** ..... D21/324, 325,  
D21/329, 333, 369; D14/400, 401, 496,  
125; 273/148 B; 463/1, 29–35, 46, 47,  
16; 345/156, 173, 903; 248/917, 918

**DESCRIPTION**

FIG. 1 is a perspective view of a medal game machine showing my new design;  
FIG. 2 is a front view thereof;  
FIG. 3 is a rear view thereof;  
FIG. 4 is a right side view thereof, the left side view being a mirror image of the right side;  
FIG. 5 is a top view thereof; and,  
FIG. 6 is a bottom view thereof.

(56) **References Cited**

**U.S. PATENT DOCUMENTS**

D. 358,616 \* 5/1995 Chung-Po ..... D21/325  
D. 414,525 \* 9/1999 Howard ..... D21/329

**1 Claim, 2 Drawing Sheets**

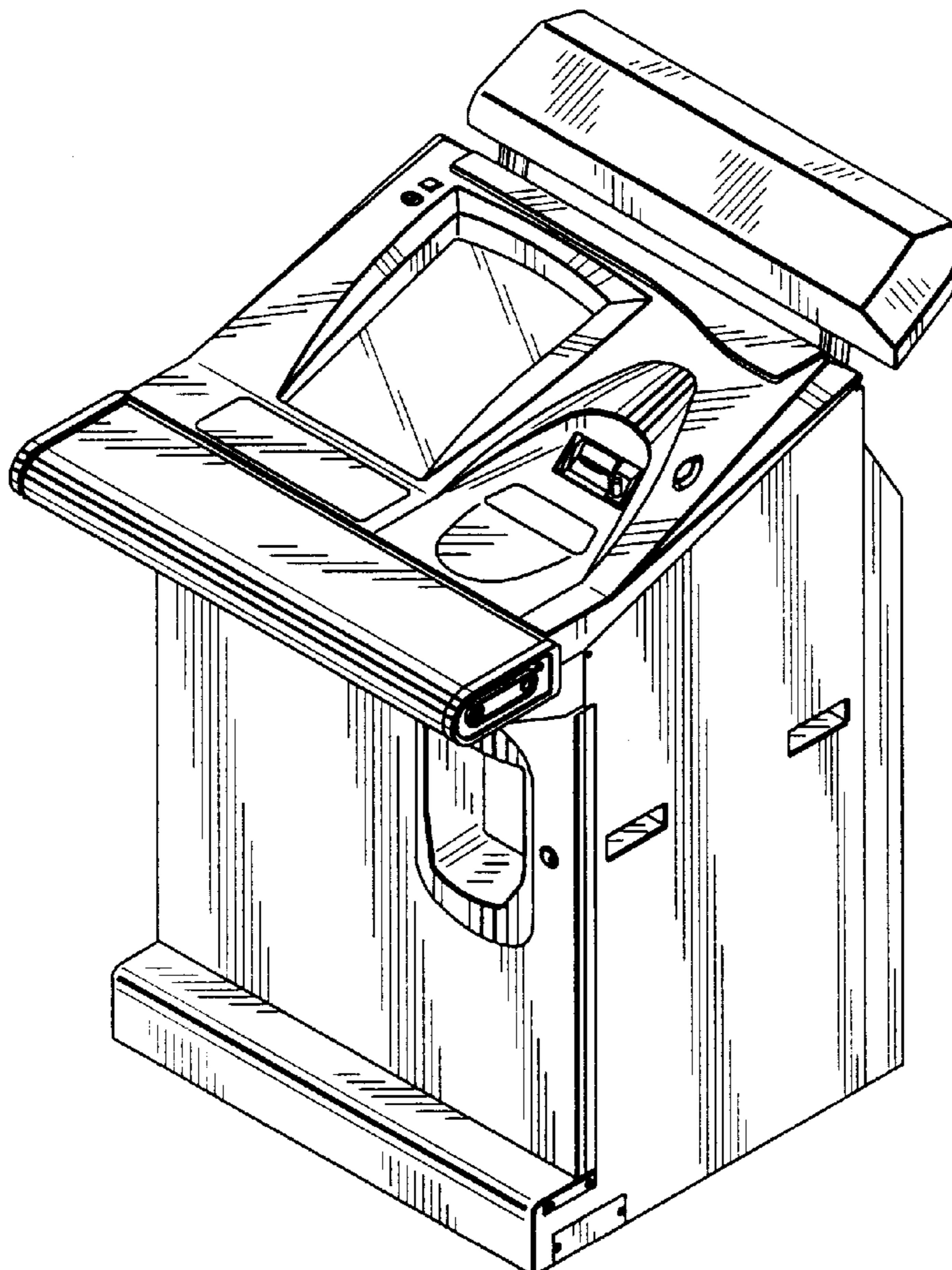


FIG. 1

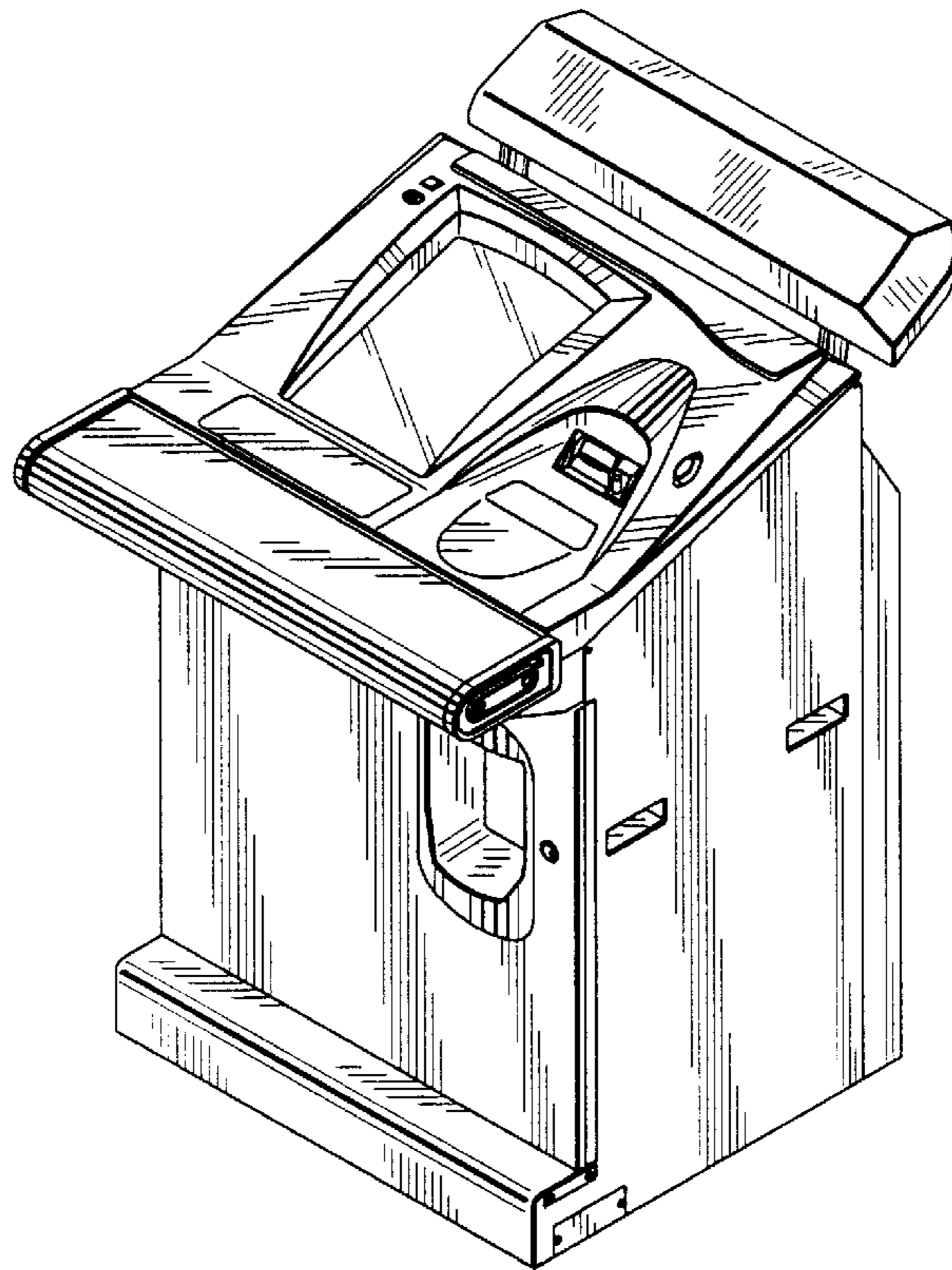


FIG. 2

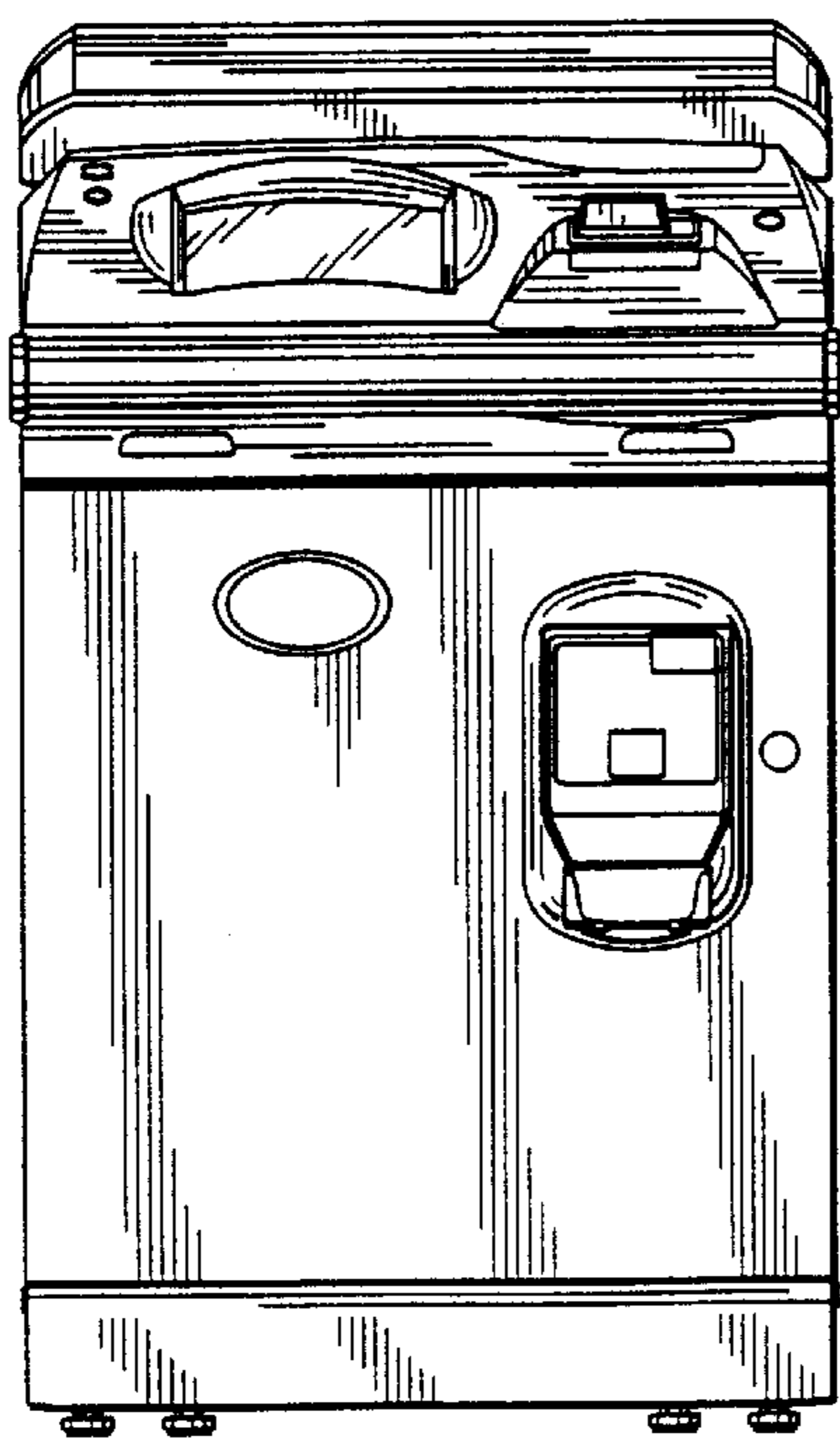


FIG. 3

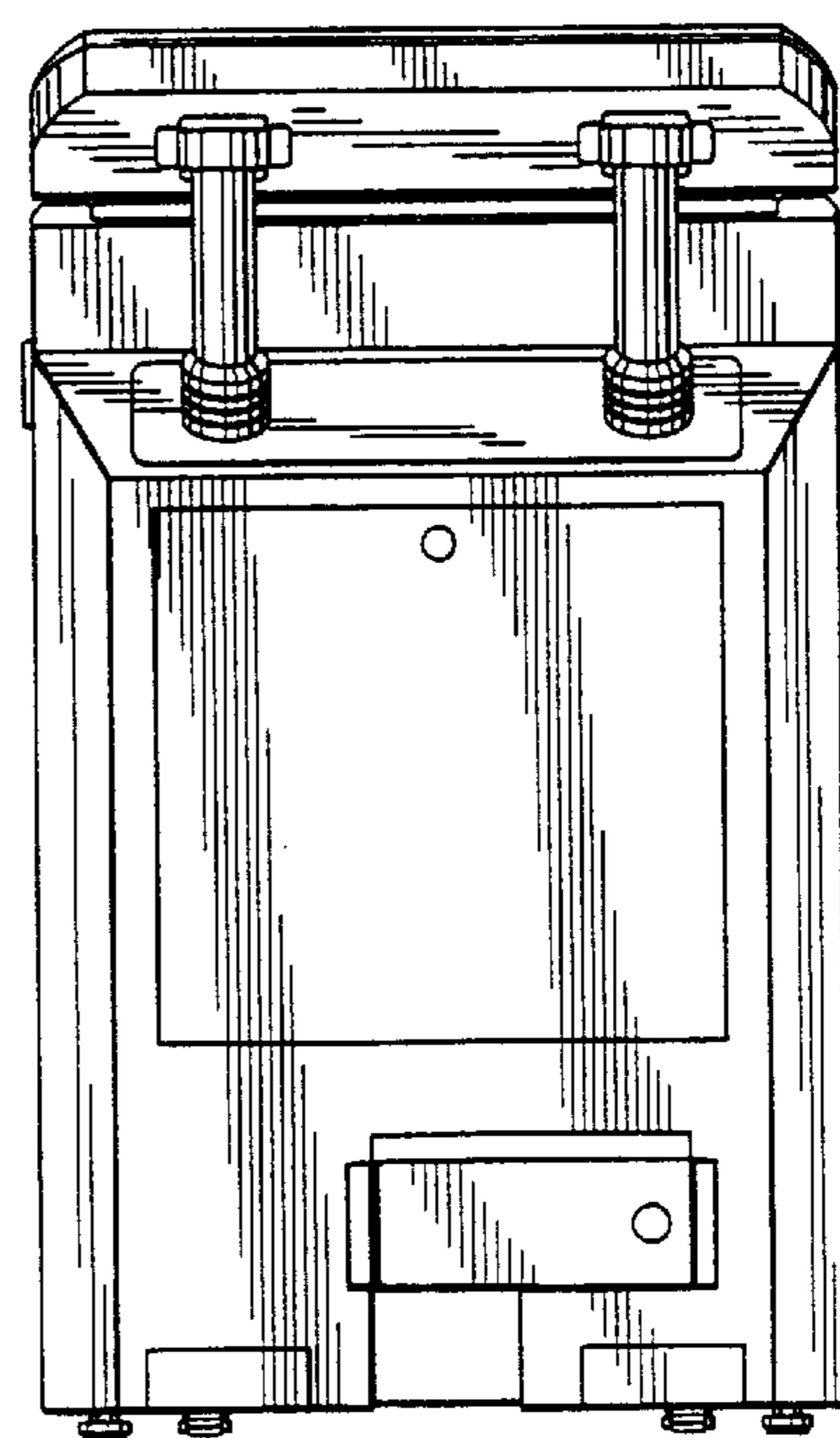


FIG. 4

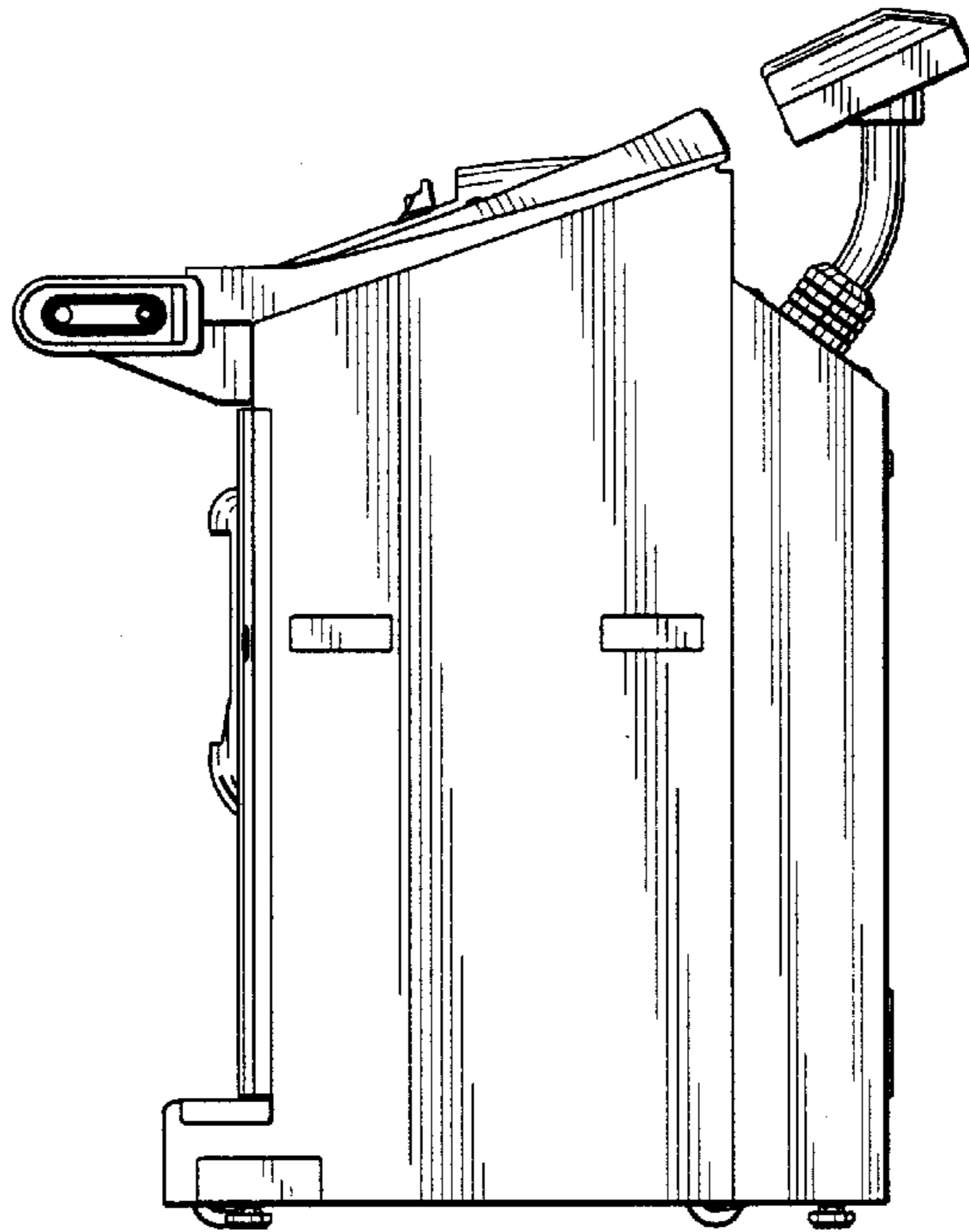


FIG. 5

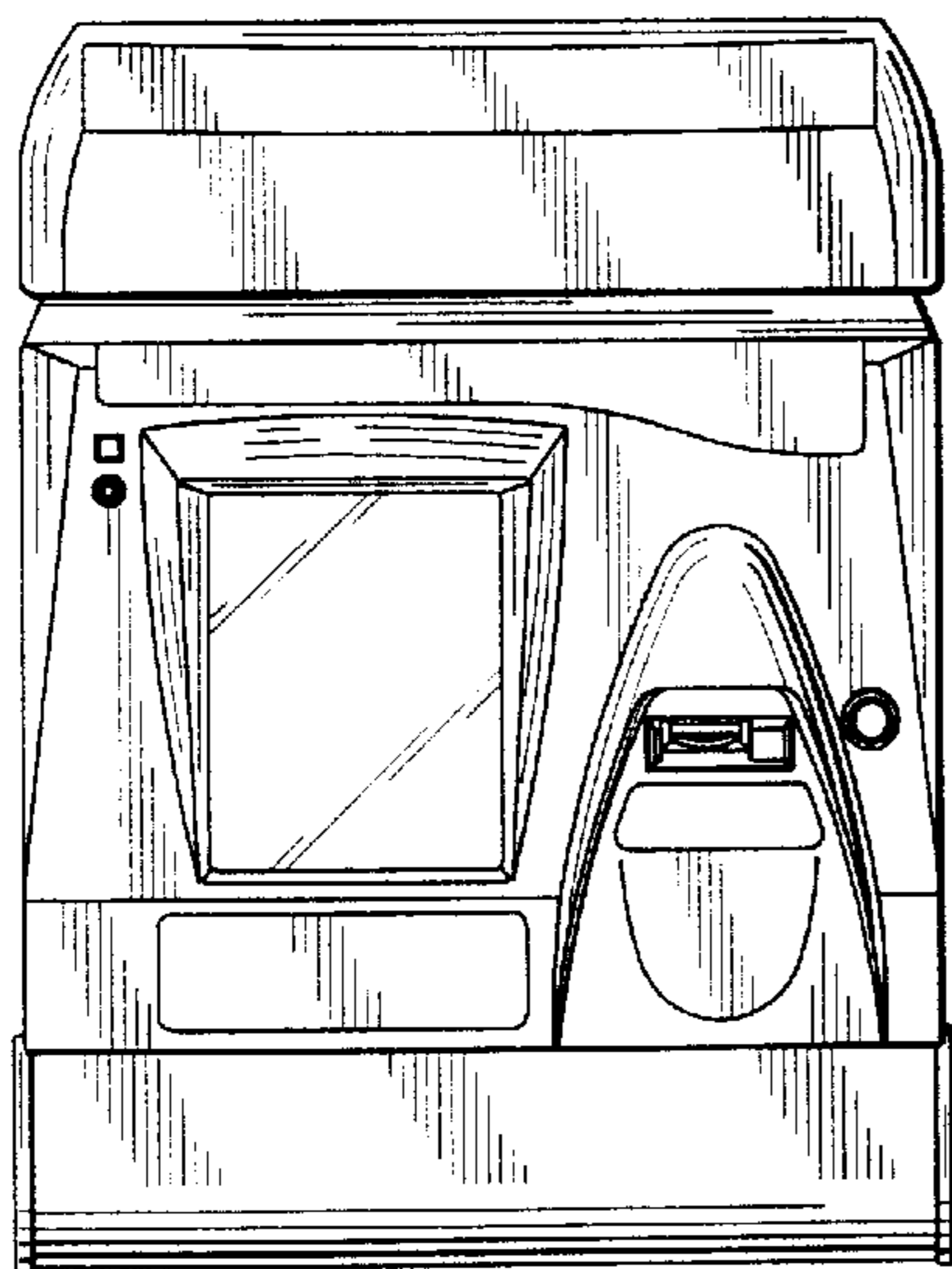


FIG. 6

