



US00D451964B1

(12) **United States Design Patent**
Chan

(10) **Patent No.:** **US D451,964 S**

(45) **Date of Patent:** **** Dec. 11, 2001**

(54) **PAPER HOLDER**

(75) Inventor: **Sik-Leung Chan, Tsuen Wan (CN)**

(73) Assignee: **C. C. & L Company Limited, Tsuen Wan (CN)**

(**) Term: **14 Years**

(21) Appl. No.: **29/138,272**

(22) Filed: **Mar. 9, 2001**

(30) **Foreign Application Priority Data**

Sep. 27, 2000 (HK) 0011344

(51) **LOC (7) Cl.** **19-02**

(52) **U.S. Cl.** **D19/90**

(58) **Field of Search** D19/52, 65, 75,
D19/78, 86, 88, 90, 91, 92, 95, 100; 40/642.02;
248/441.1, 441.2, 445, 450, 451, 452, 453,
460, 469, 473, 910; 281/44; D3/206, 303;
D6/310, 311, 512

(56) **References Cited**

U.S. PATENT DOCUMENTS

D. 321,372 * 11/1991 Evenson D19/86

D. 339,823 * 9/1993 Evenson D19/86
D. 435,352 * 12/2000 Chan D6/310
D. 435,591 * 12/2000 Wyant D3/303

* cited by examiner

Primary Examiner—Doris V. Coles

Assistant Examiner—Elizabeth A. Albert

(74) *Attorney, Agent, or Firm*—Alix, Yale & Ristas, LLP

(57) **CLAIM**

The ornamental design for a paper holder, as shown and described.

DESCRIPTION

FIG. 1 is a perspective view of a paper holder showing my new design;

FIG. 2 is a front perspective view in opened position thereof;

FIG. 3 is a front elevational view thereof;

FIG. 4 is a top plan view thereof;

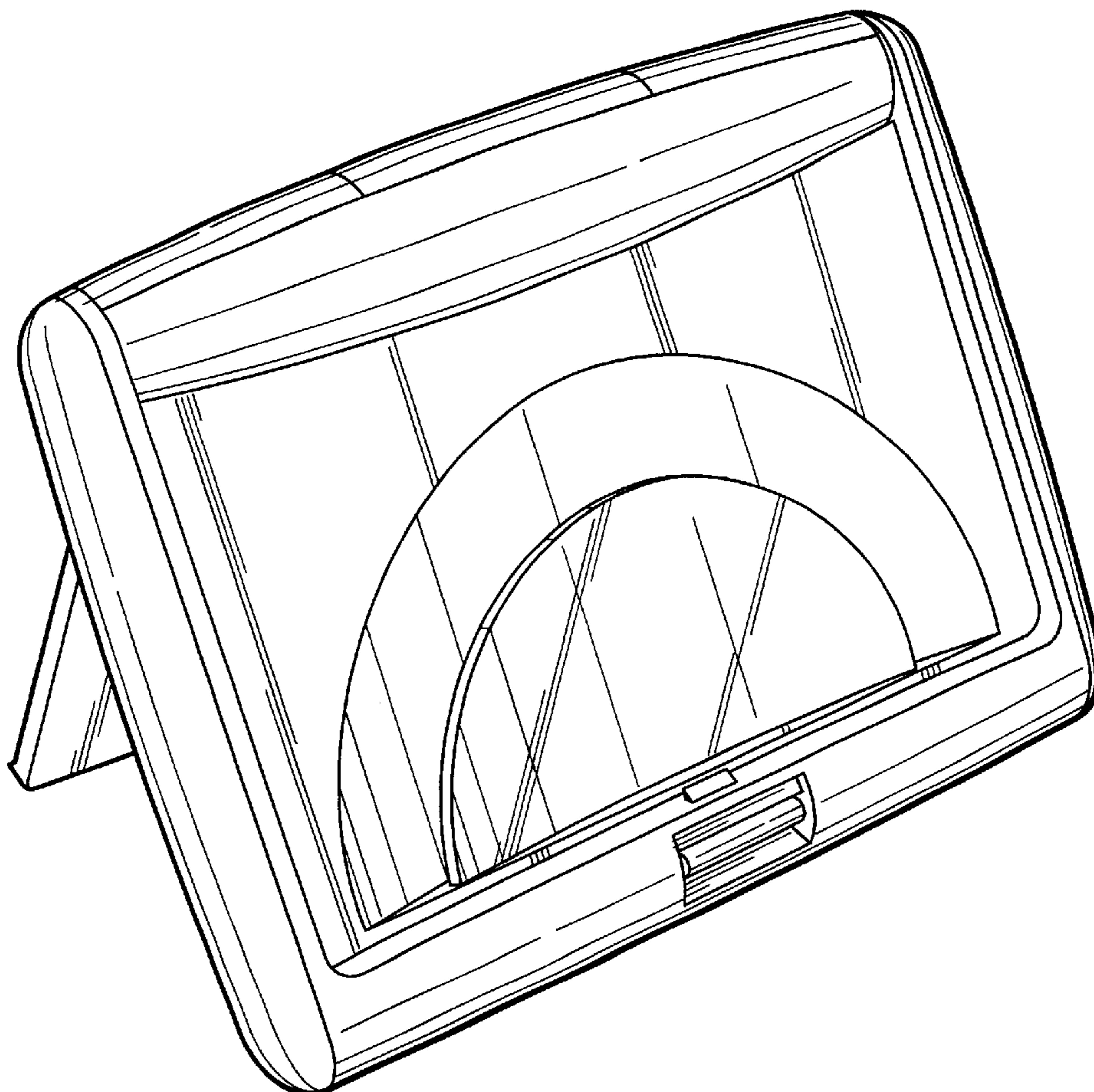
FIG. 5 is a bottom plan view thereof;

FIG. 6 is a left side elevational view thereof;

FIG. 7 is a right side elevational view thereof; and,

FIG. 8 is a rear elevational view thereof.

1 Claim, 4 Drawing Sheets



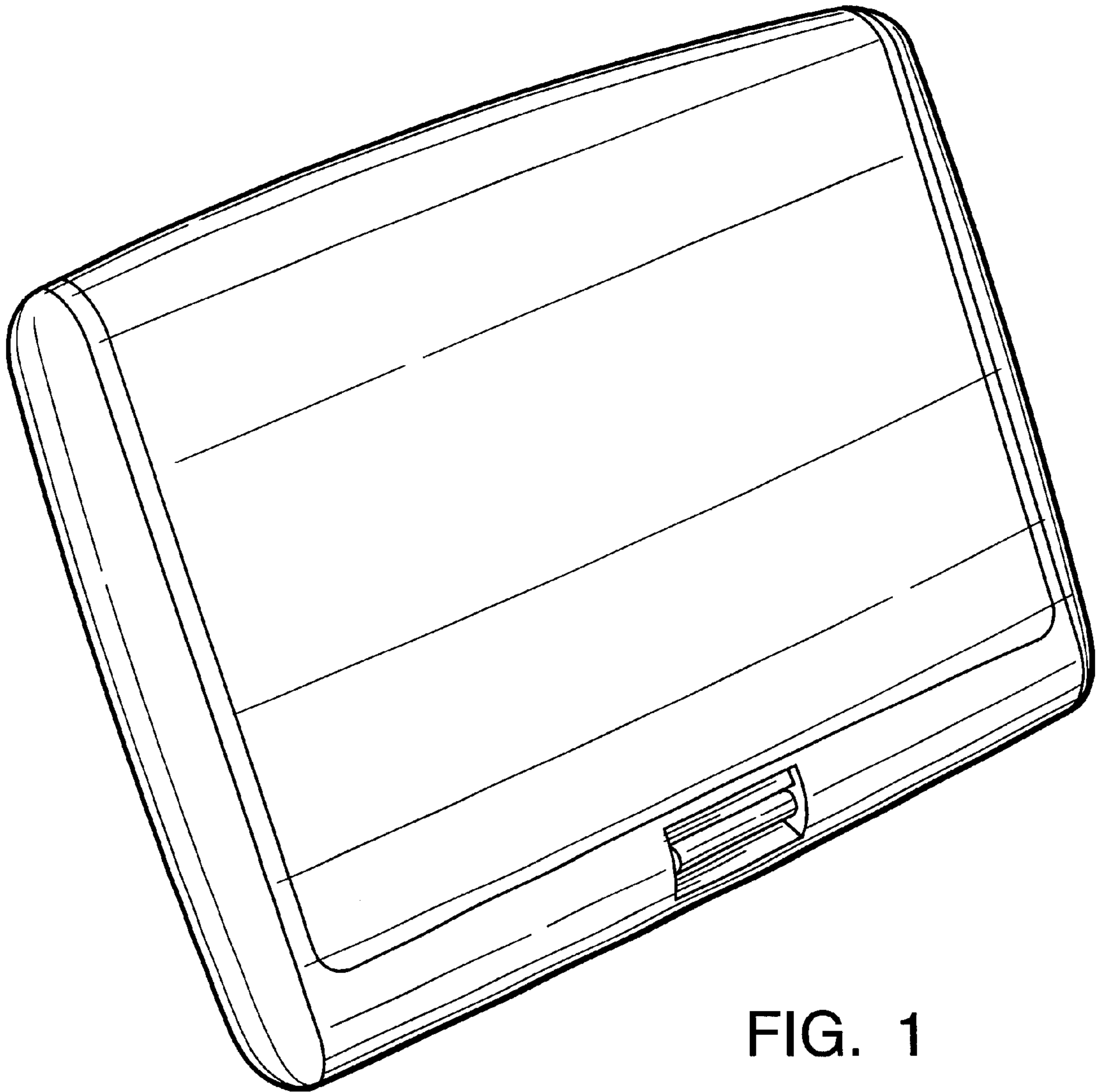


FIG. 1

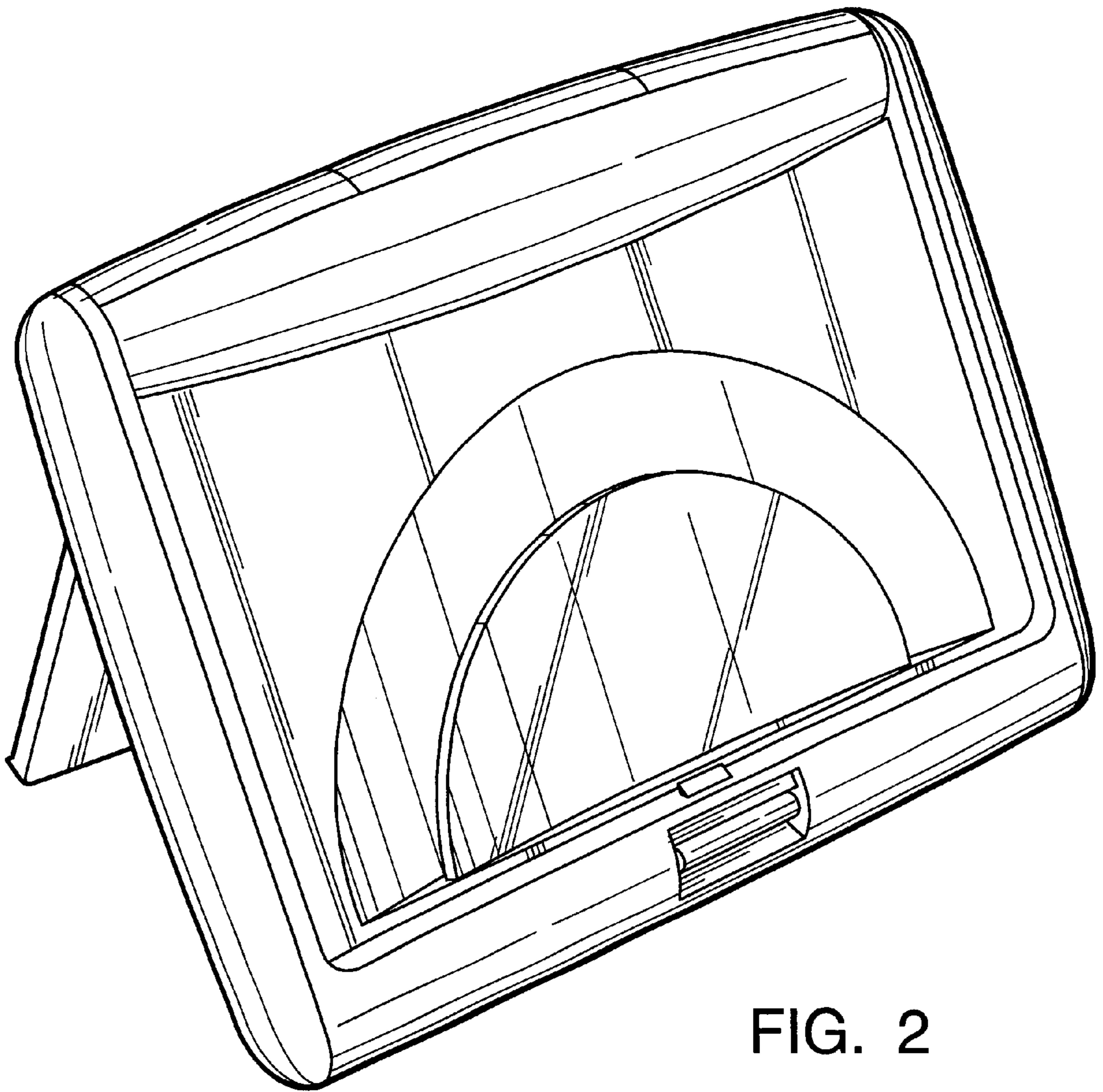


FIG. 2

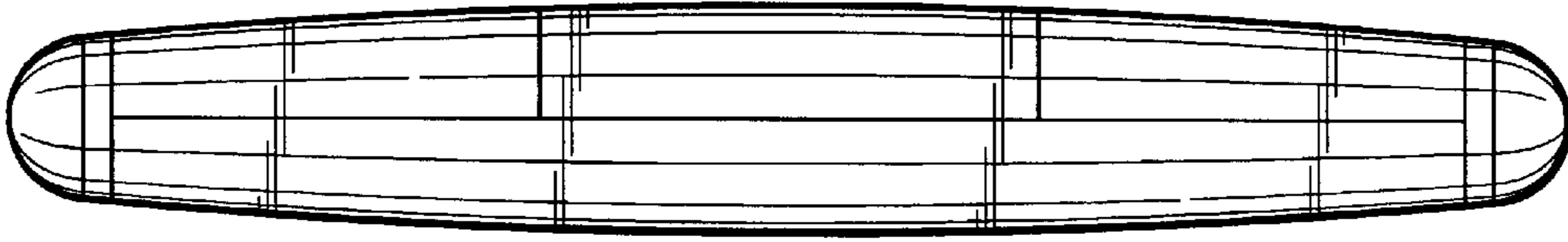


FIG. 4

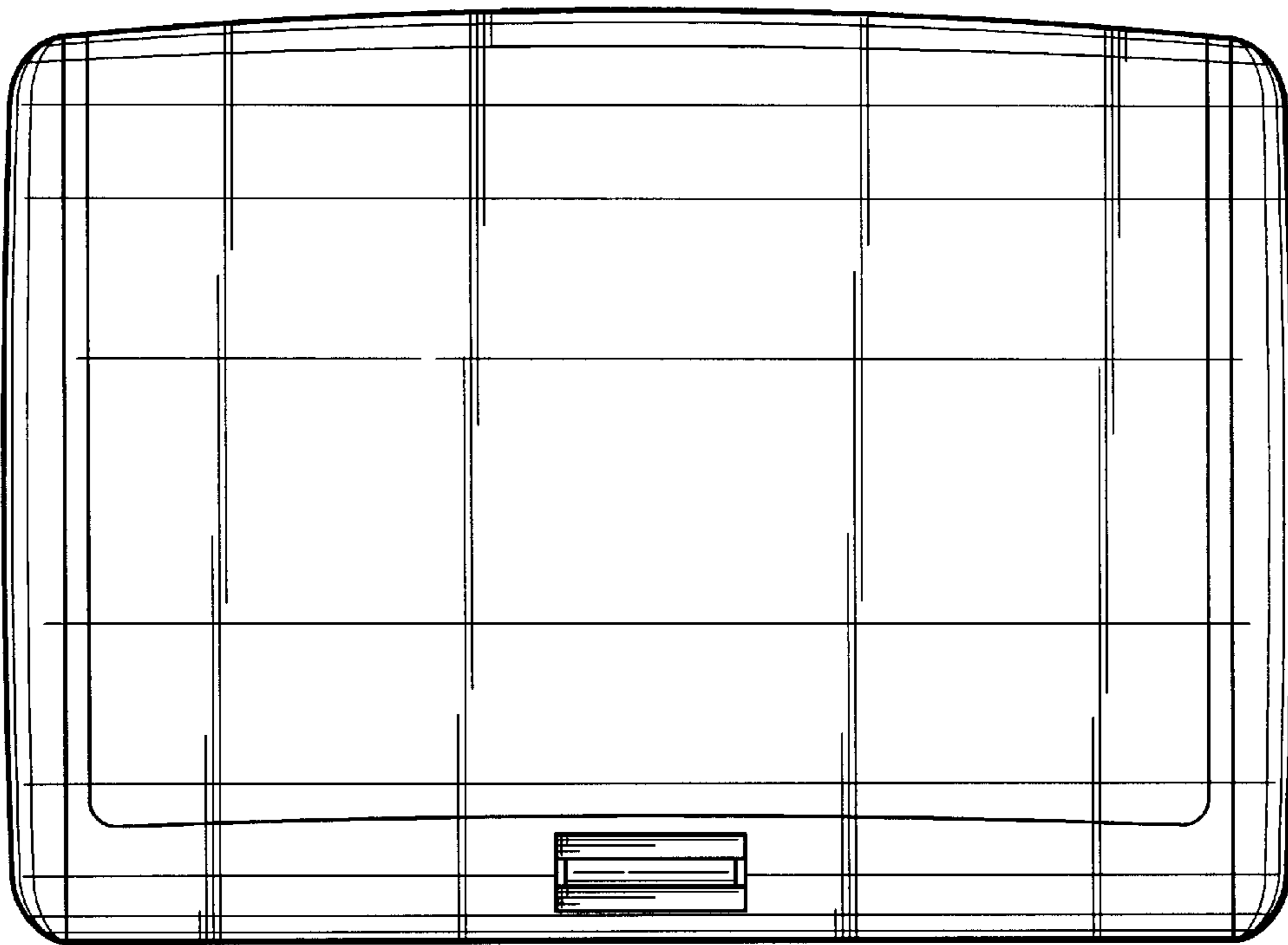


FIG. 3

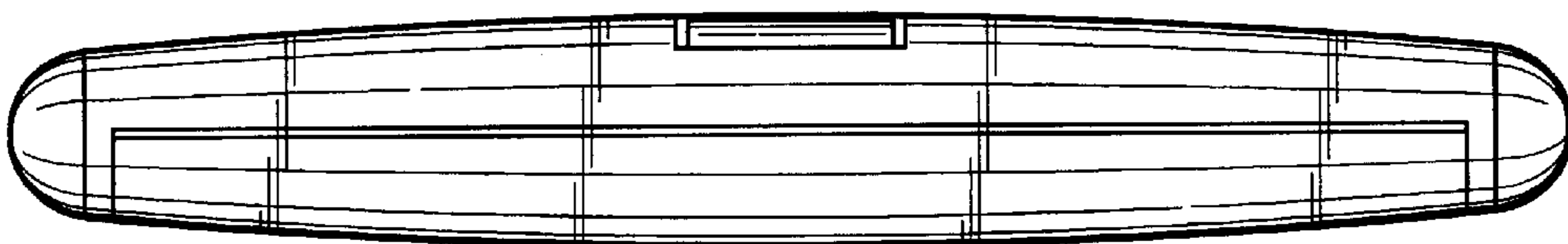


FIG. 5

FIG. 6

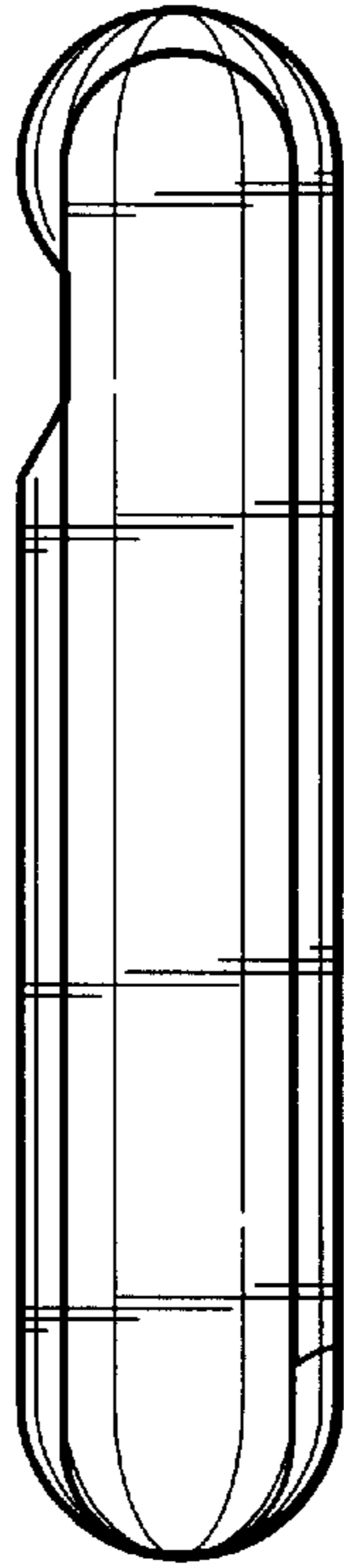


FIG. 7

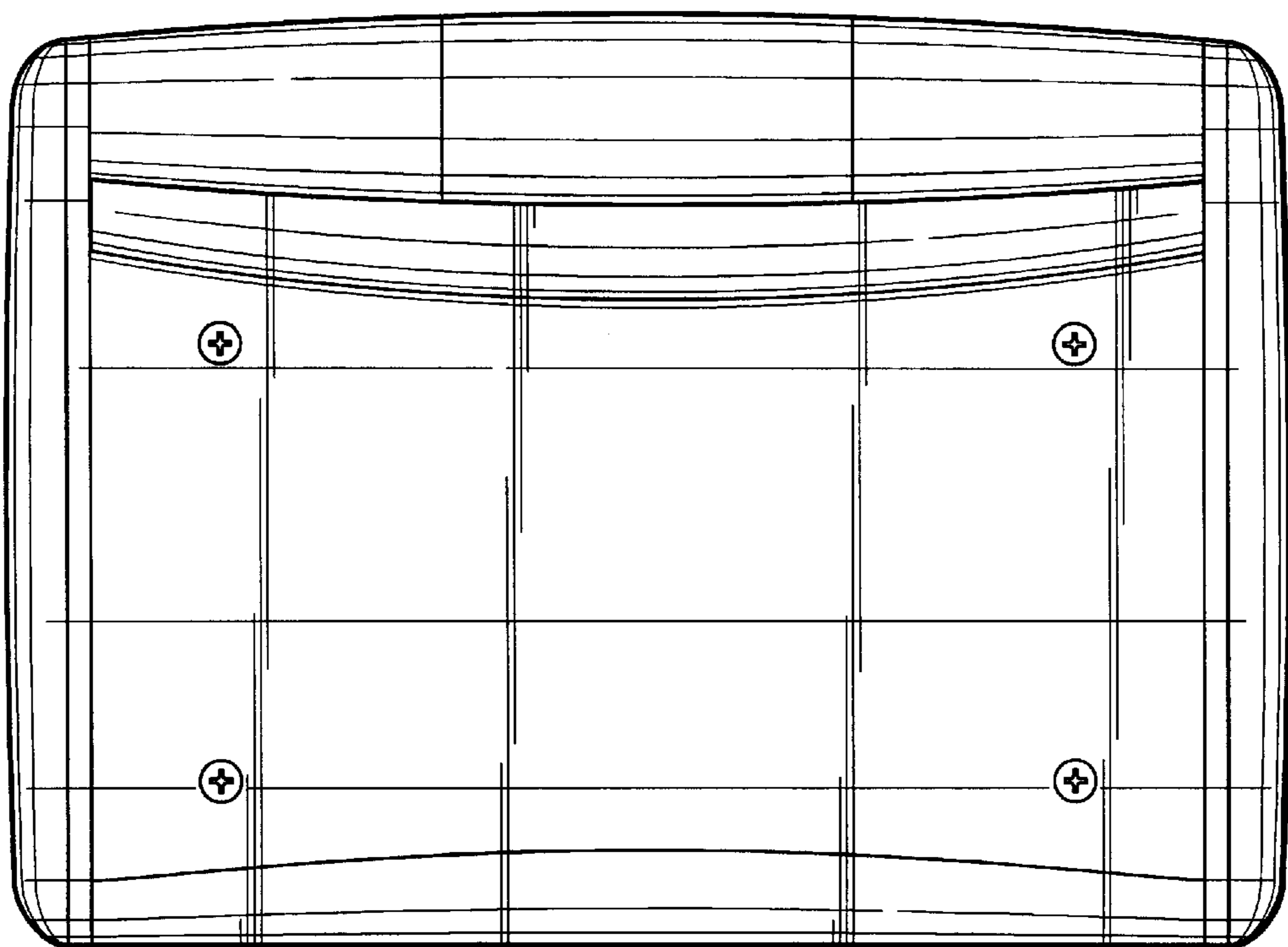
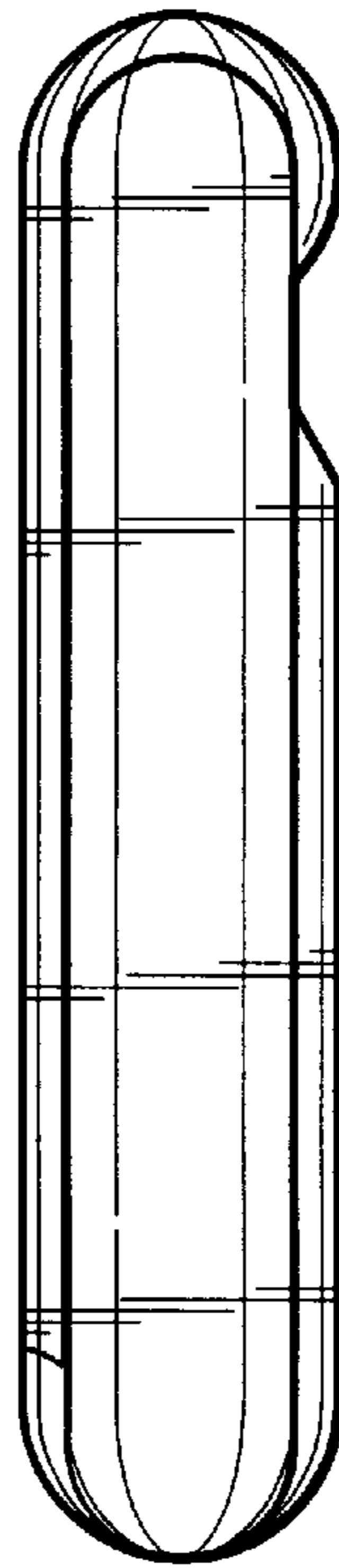


FIG. 8